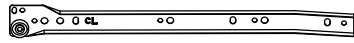
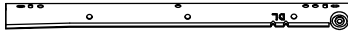


Px1



Qx1



Rx1



Sx1



Tx6



Ux6



Vx6



Wx6



Xx90



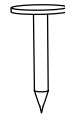
Yx90



Zx44



AAx108



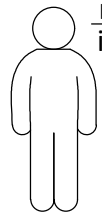
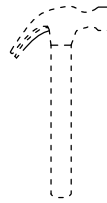
BBx92



CCx6

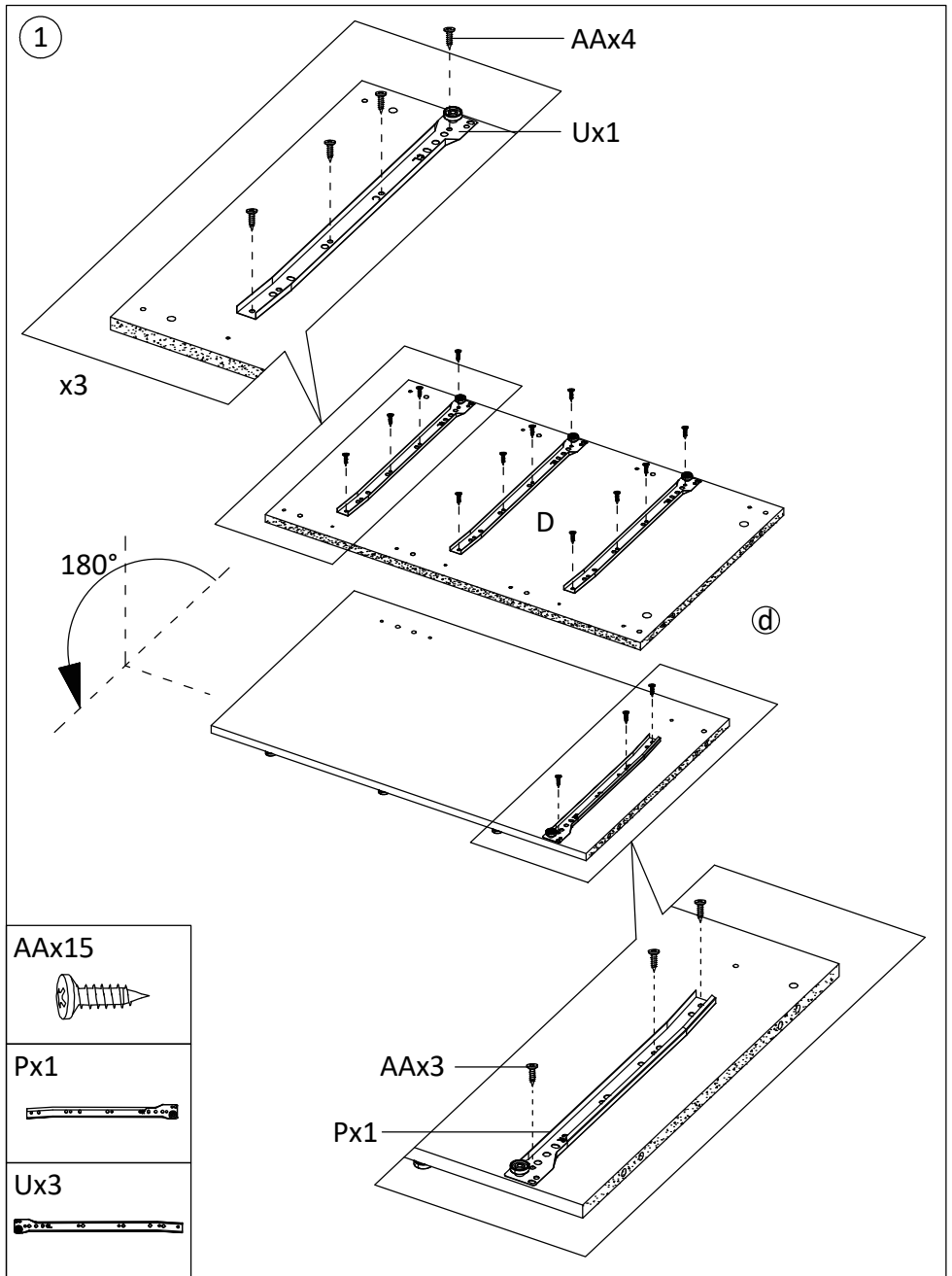


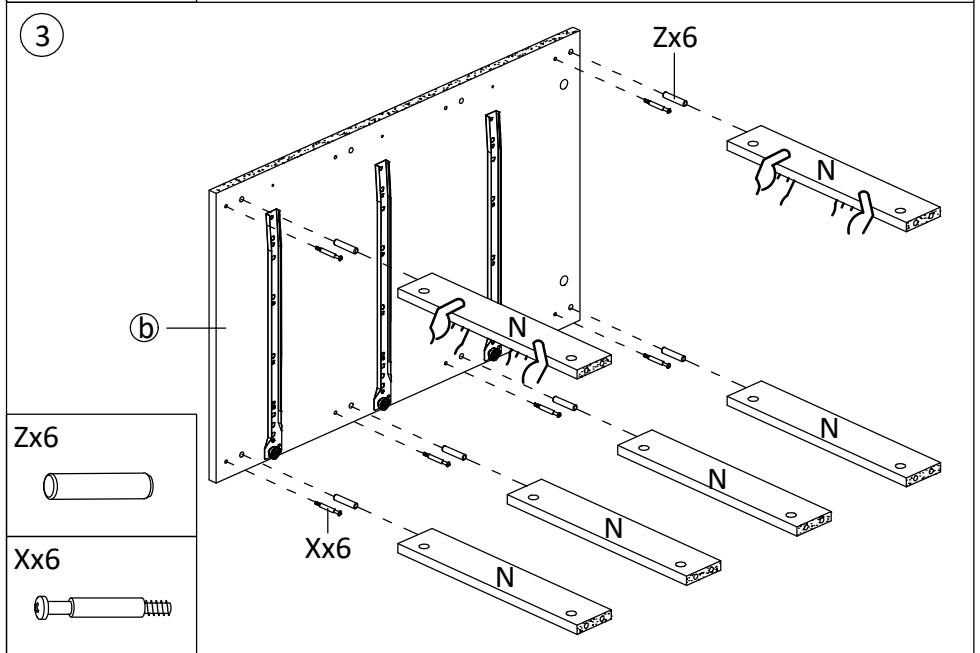
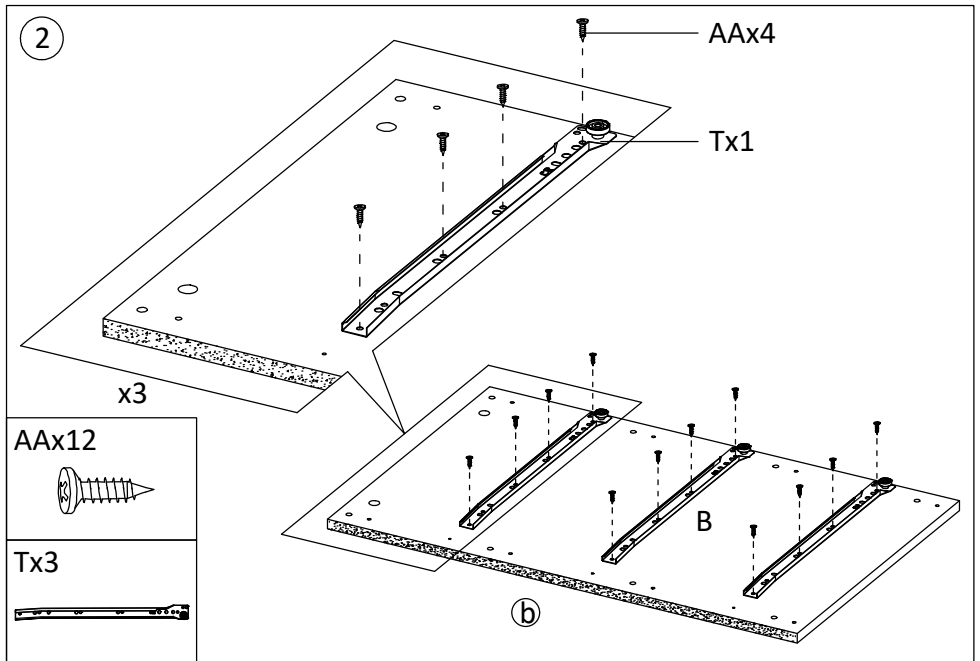
DDx6

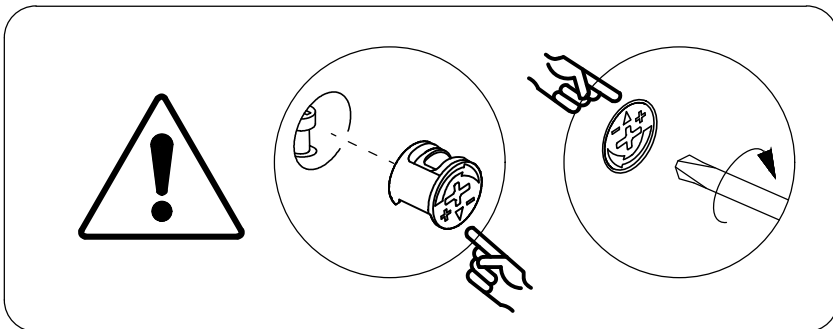


mm
inch

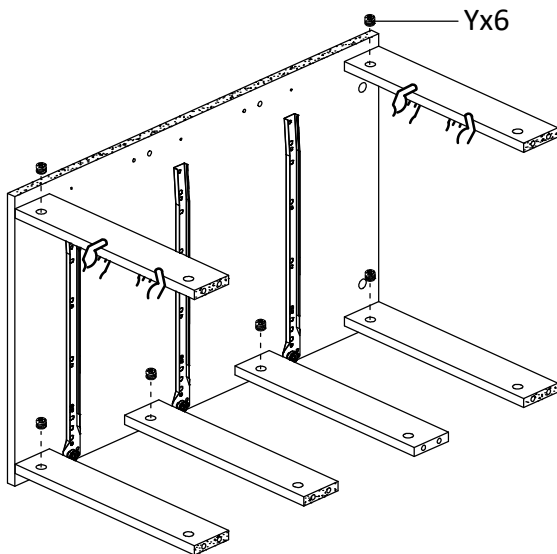
x3





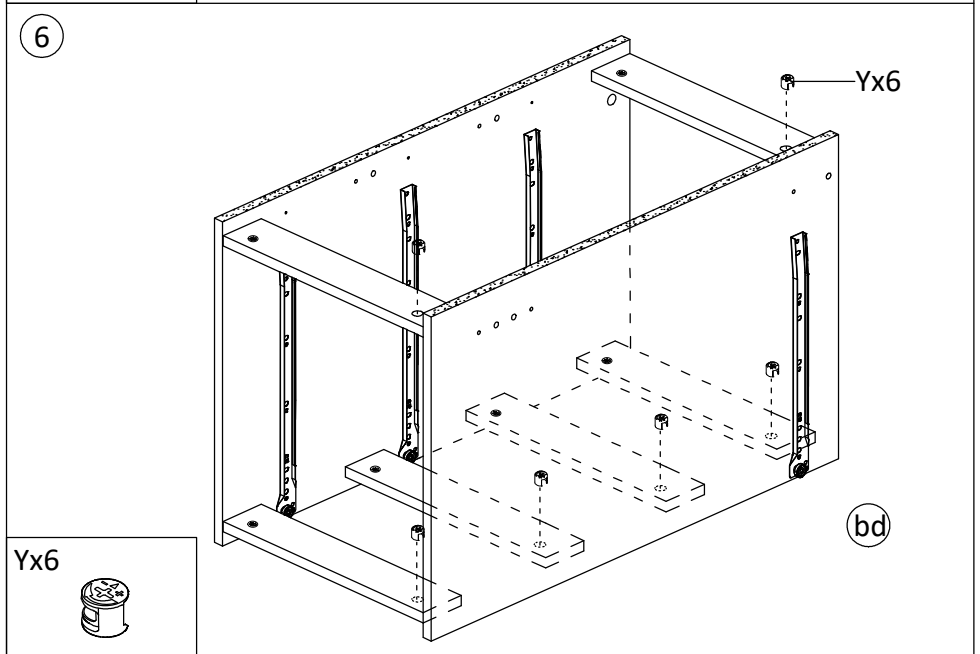
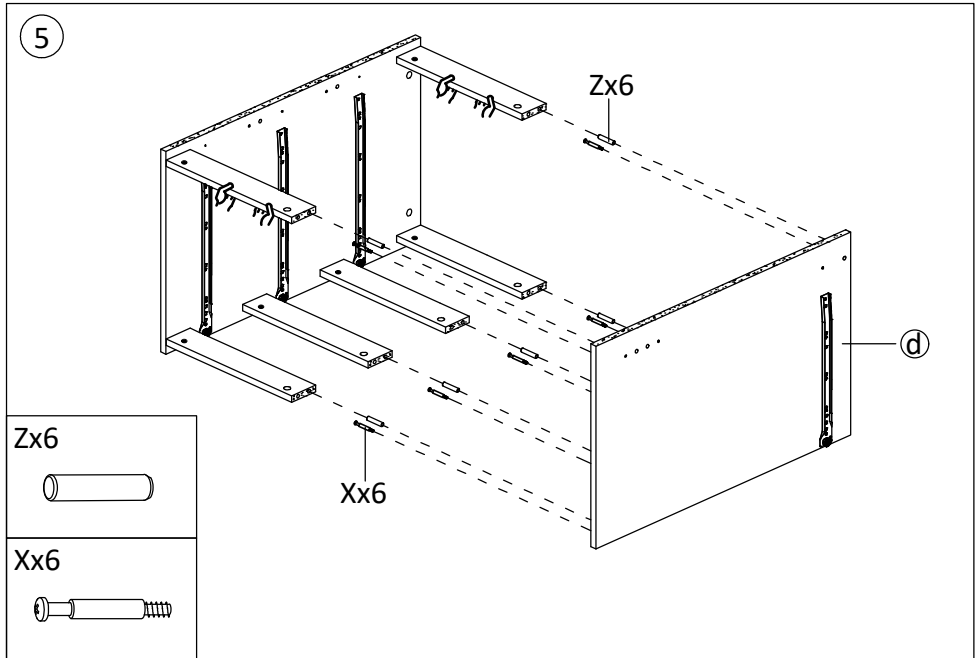


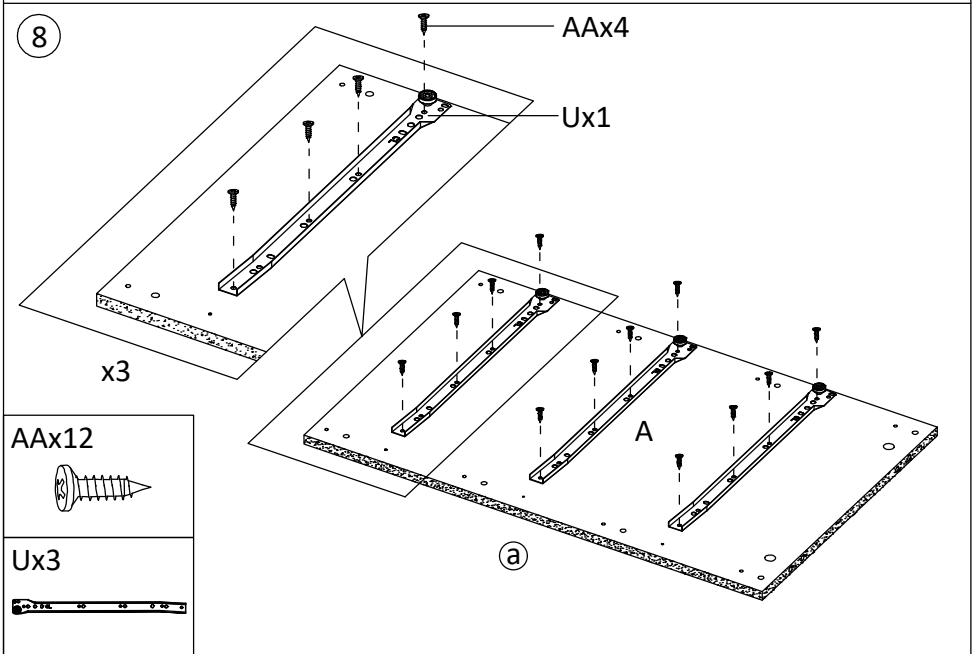
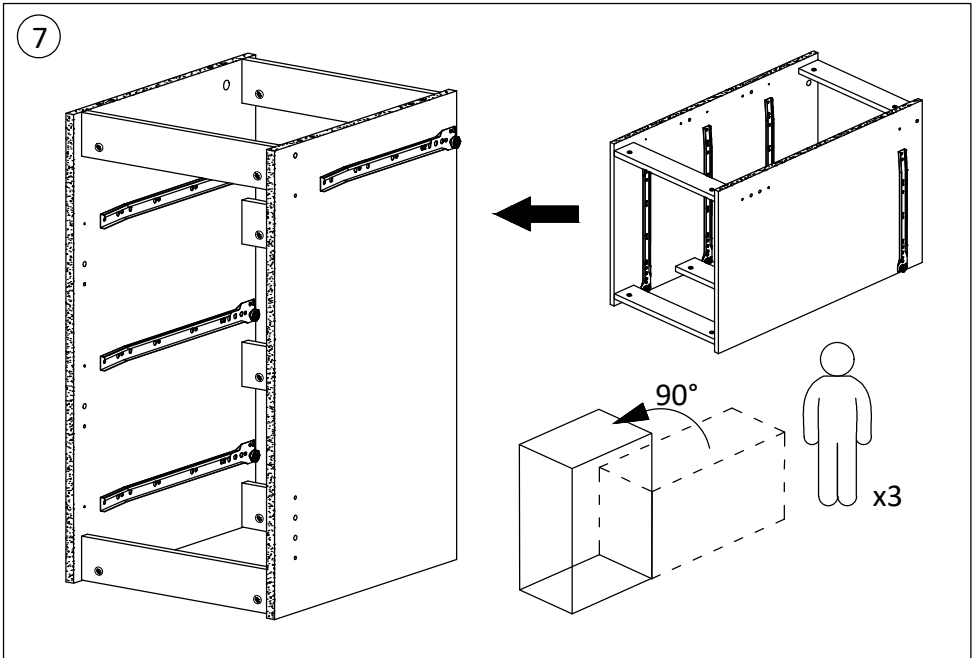
4

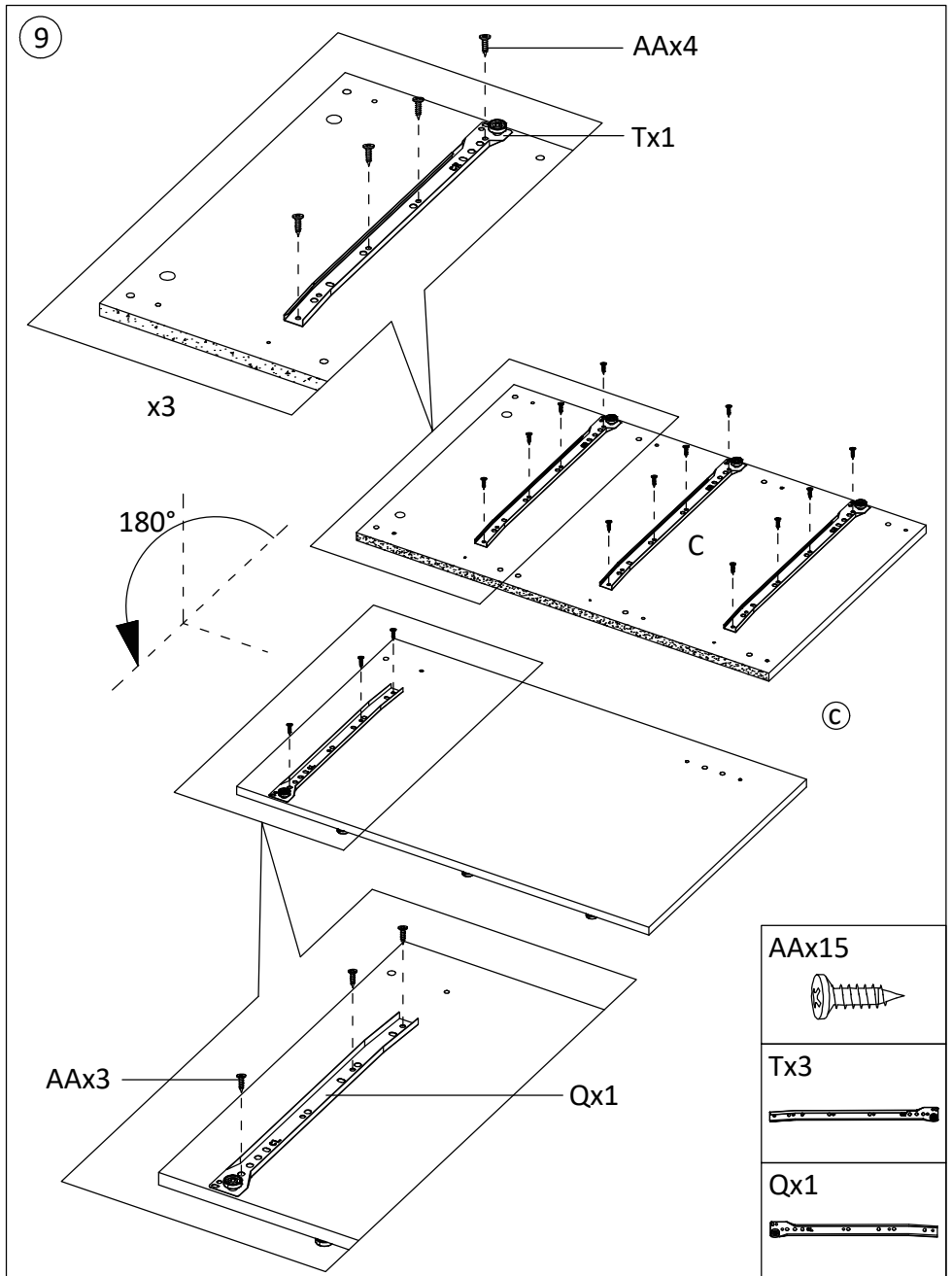


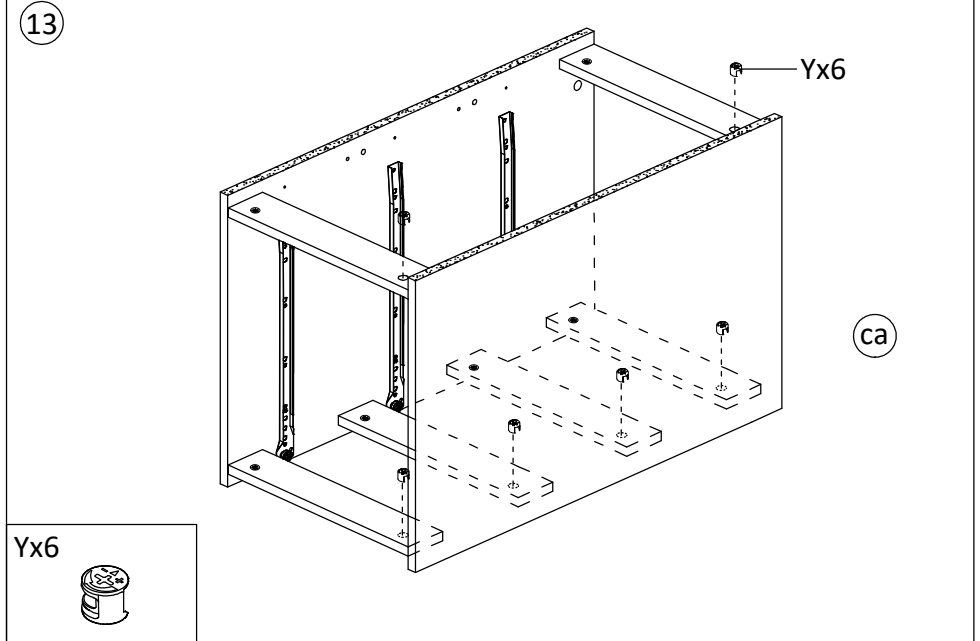
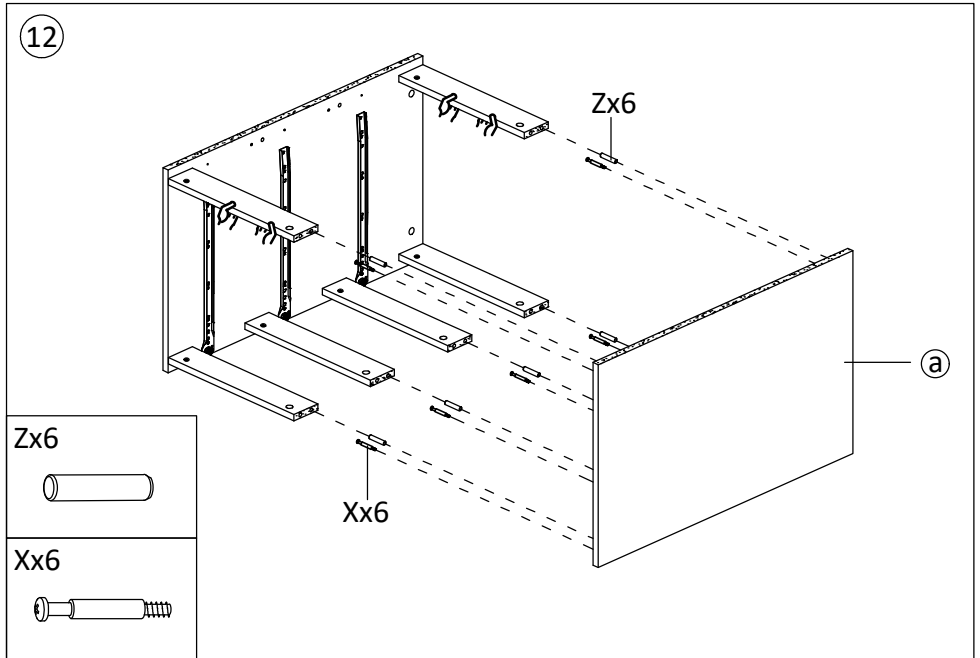
Yx6

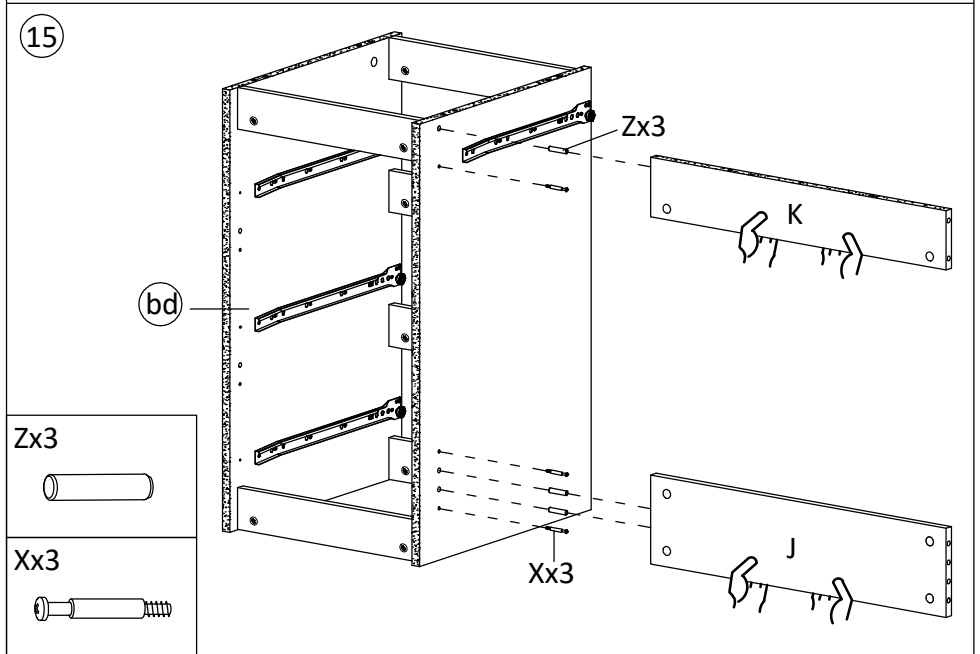
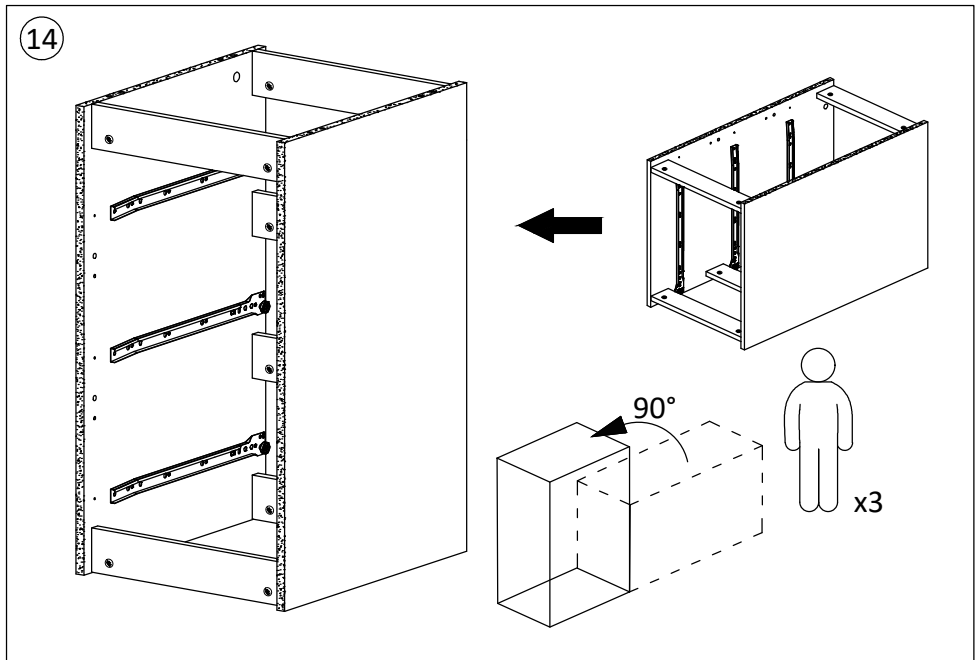




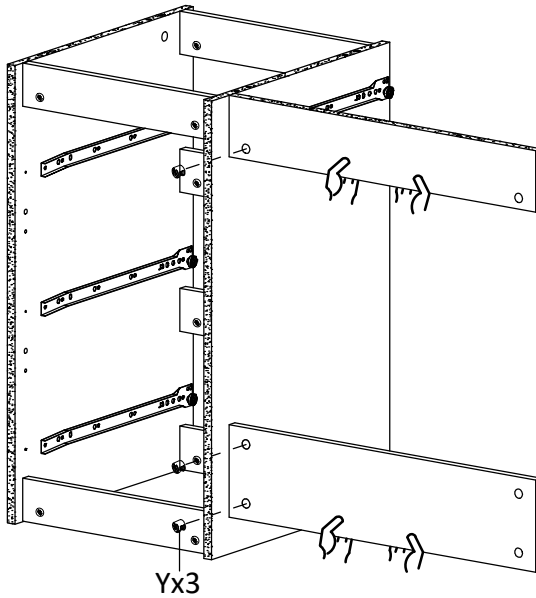








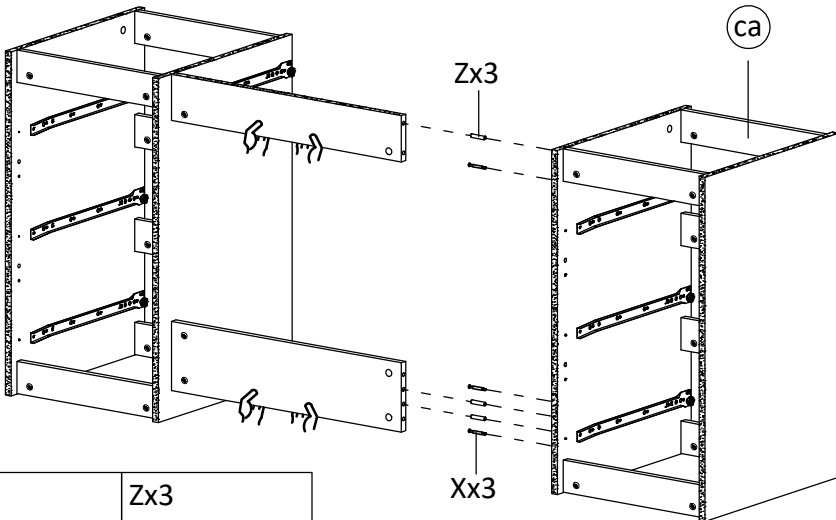
16



Yx3



17

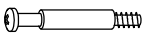


ca

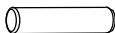
Zx3

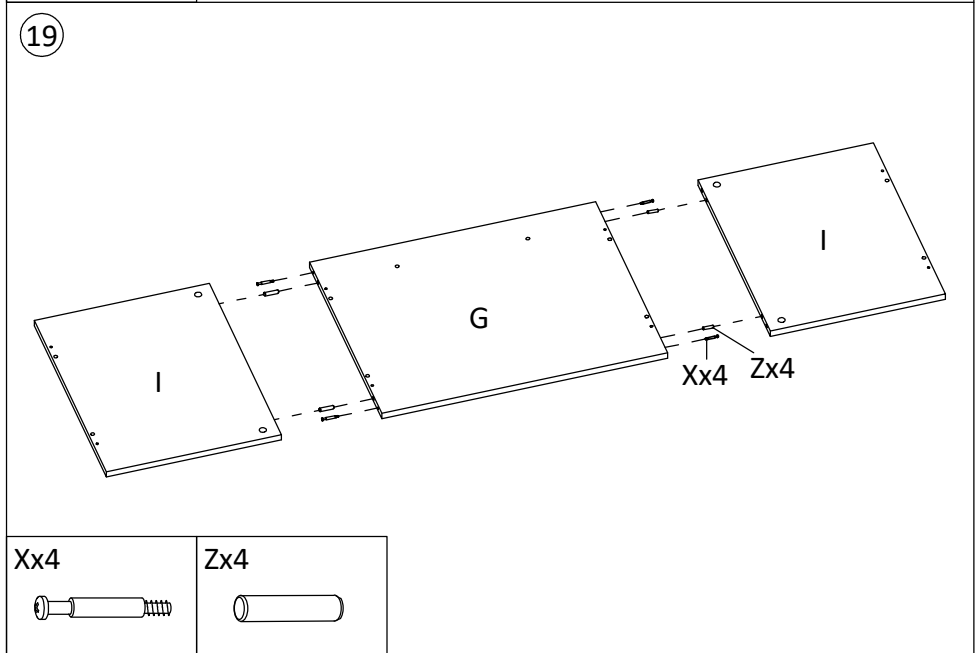
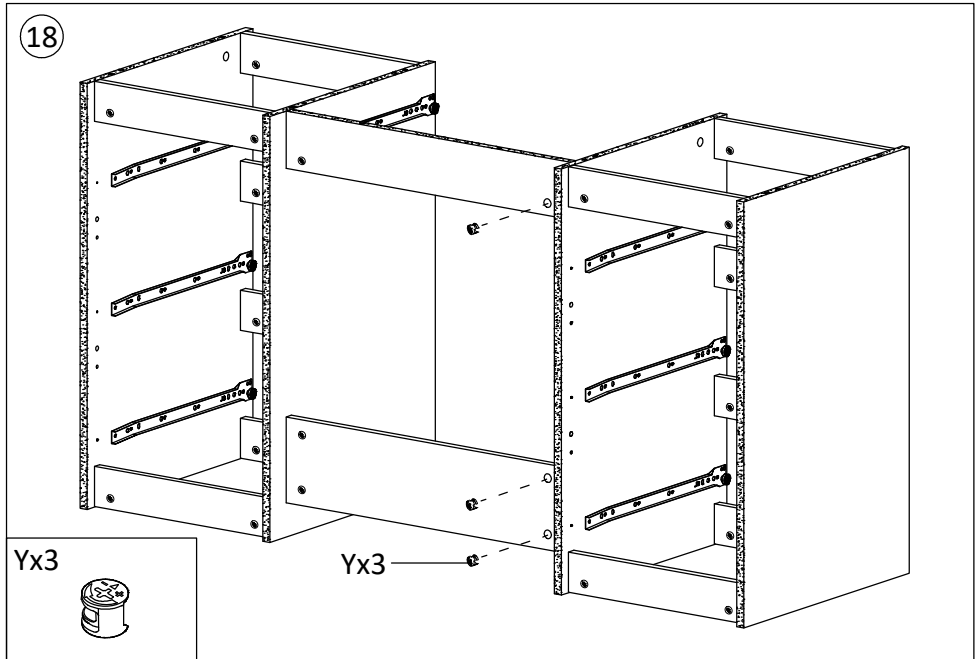
Xx3

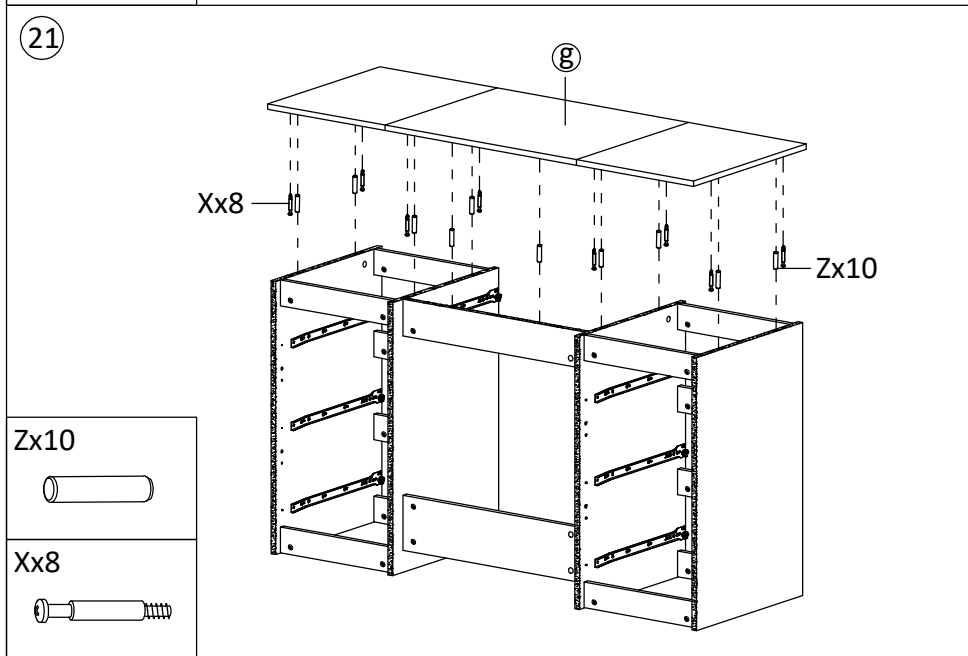
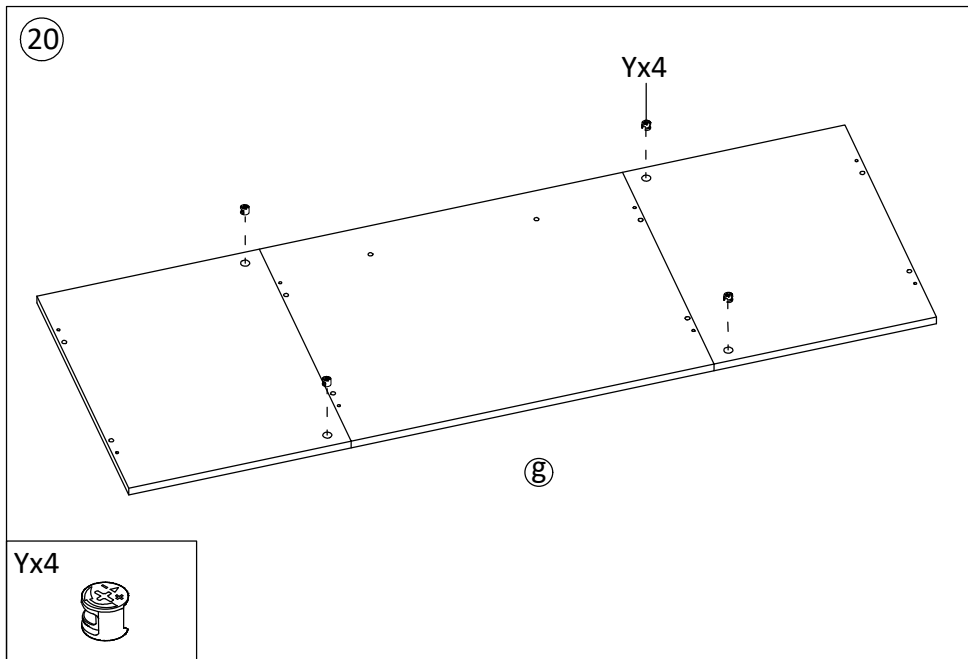
Xx3



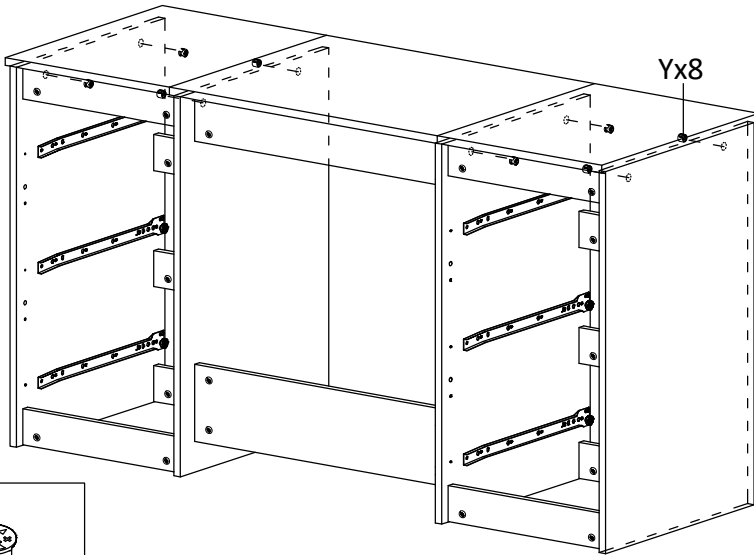
Zx3







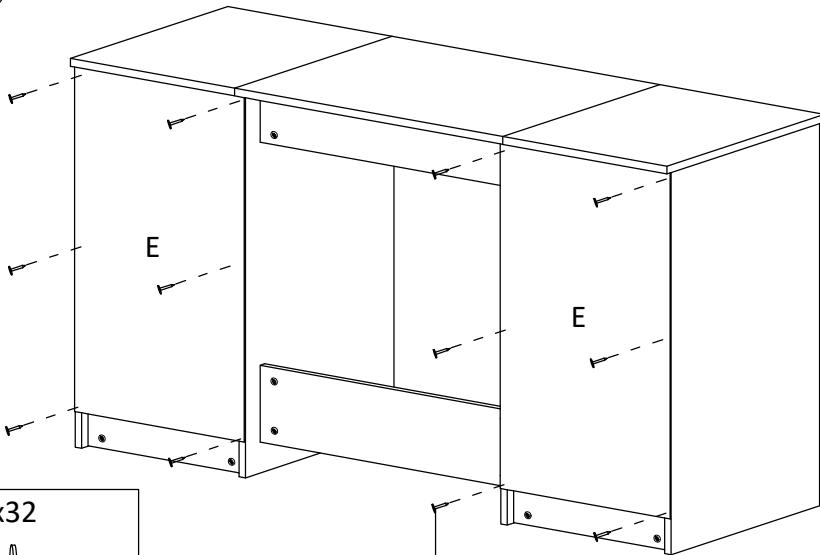
22



Yx8



23



BBx32



BBx32

