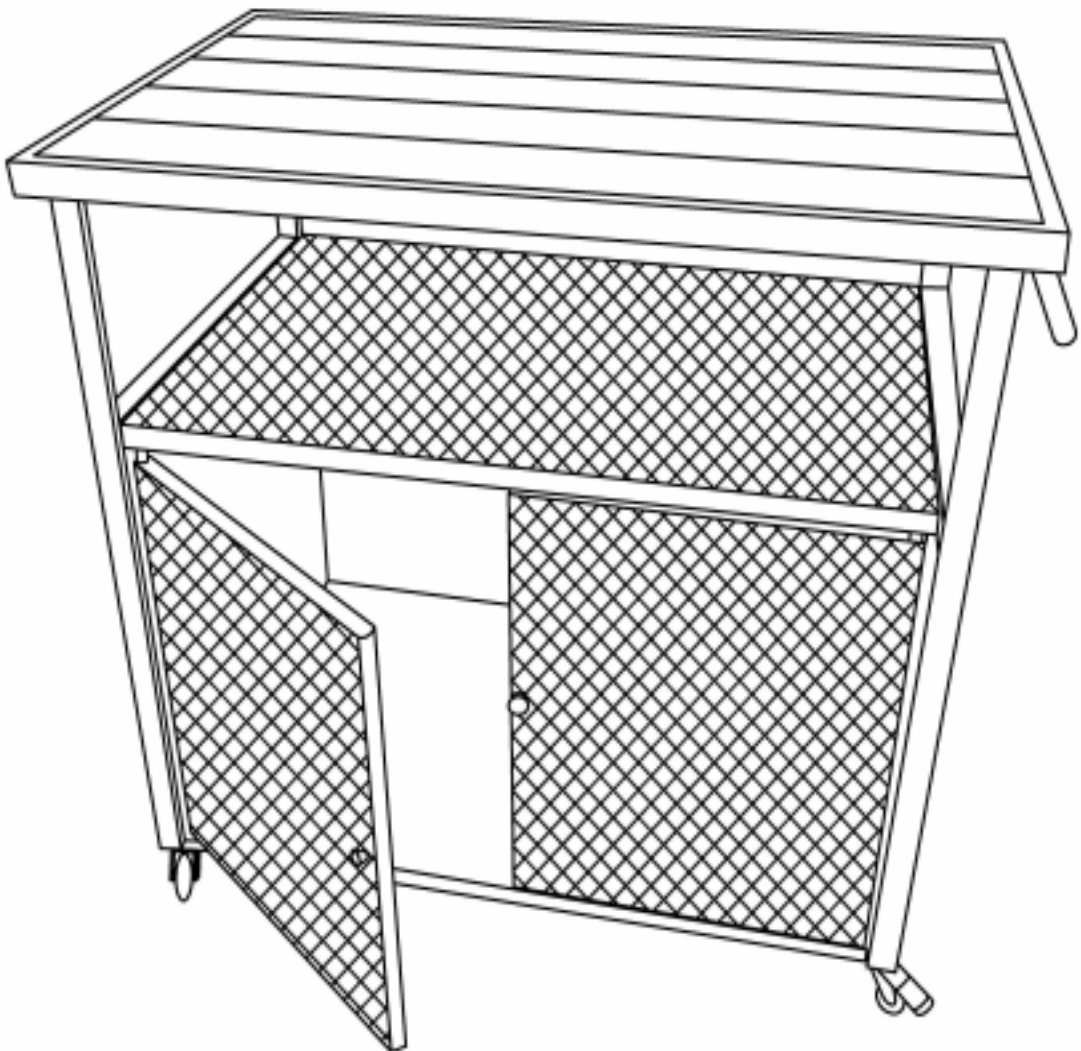
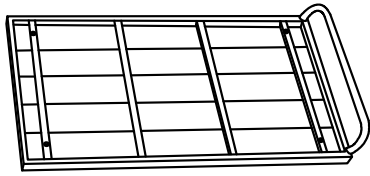


ASSEMBLY INSTRUCTION

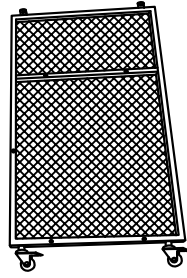
SKU:HFHW-876



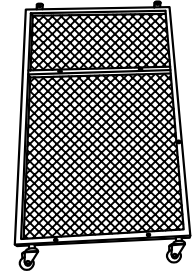
(A) x1



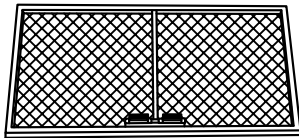
(B) x1



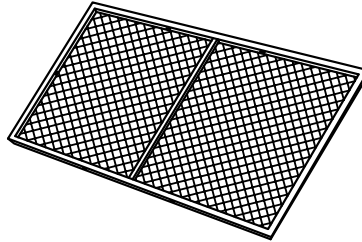
(C) x1



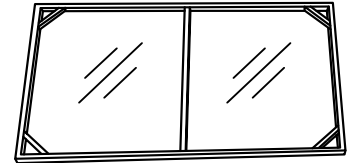
(D) x1



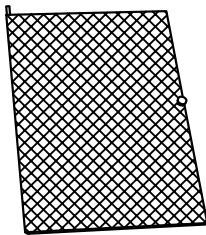
(E) x1



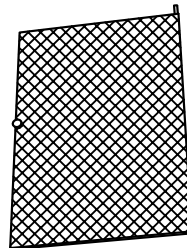
(F) x1



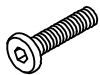
(G) x1



(H) x1

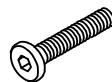


(I) x4



M6x25

(J) x4



M6x30

(M) x20



(N) x4



(O) x4



(P) x1



(K) x10



M6x35

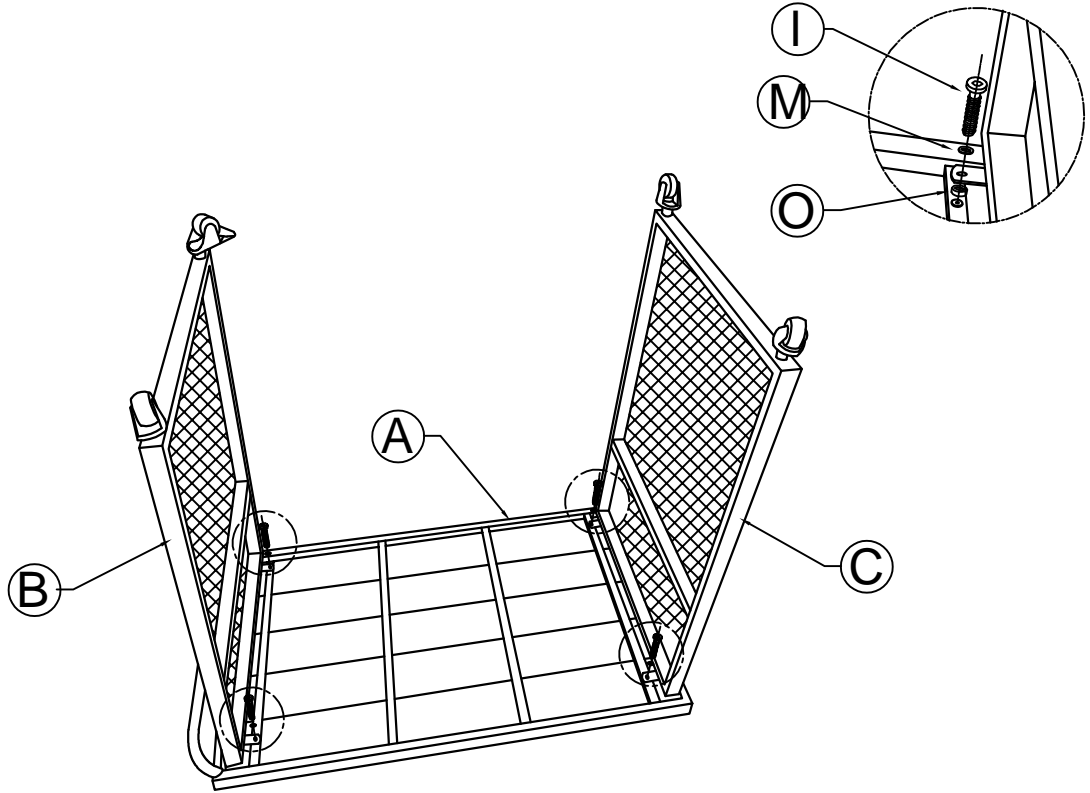
(L) x2



M6x40

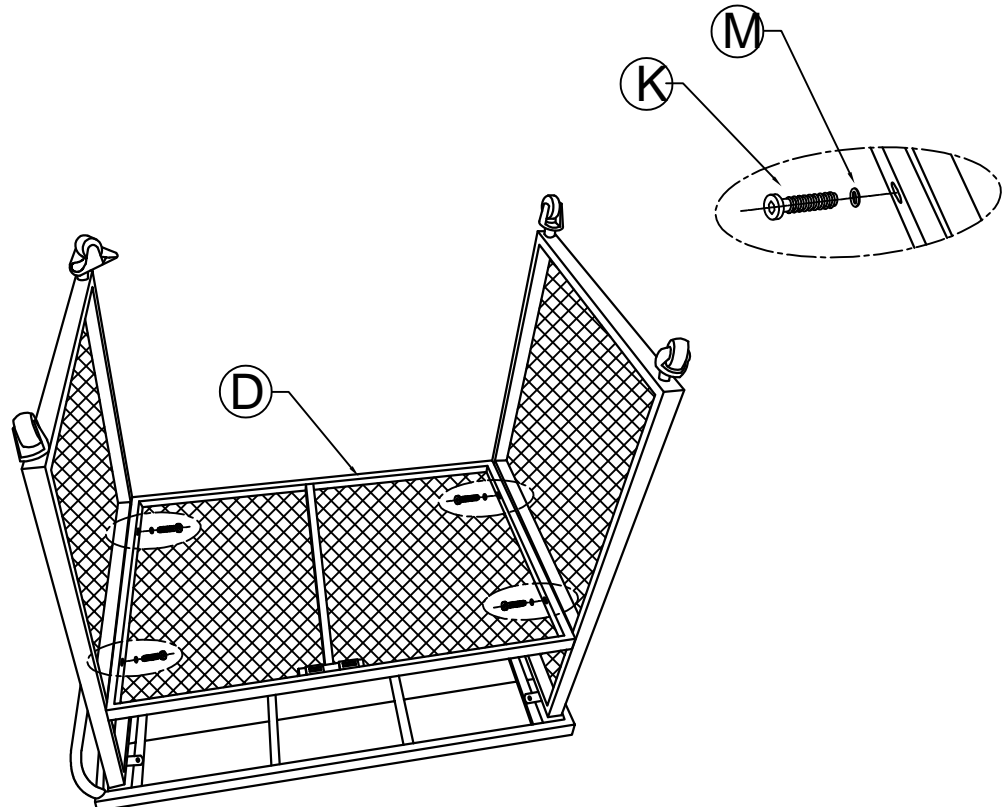
STEP 1

- Ⓐ x1
- Ⓑ x1
- Ⓒ x1
- Ⓘ x4
- Ⓜ x4
- Ⓞ x4



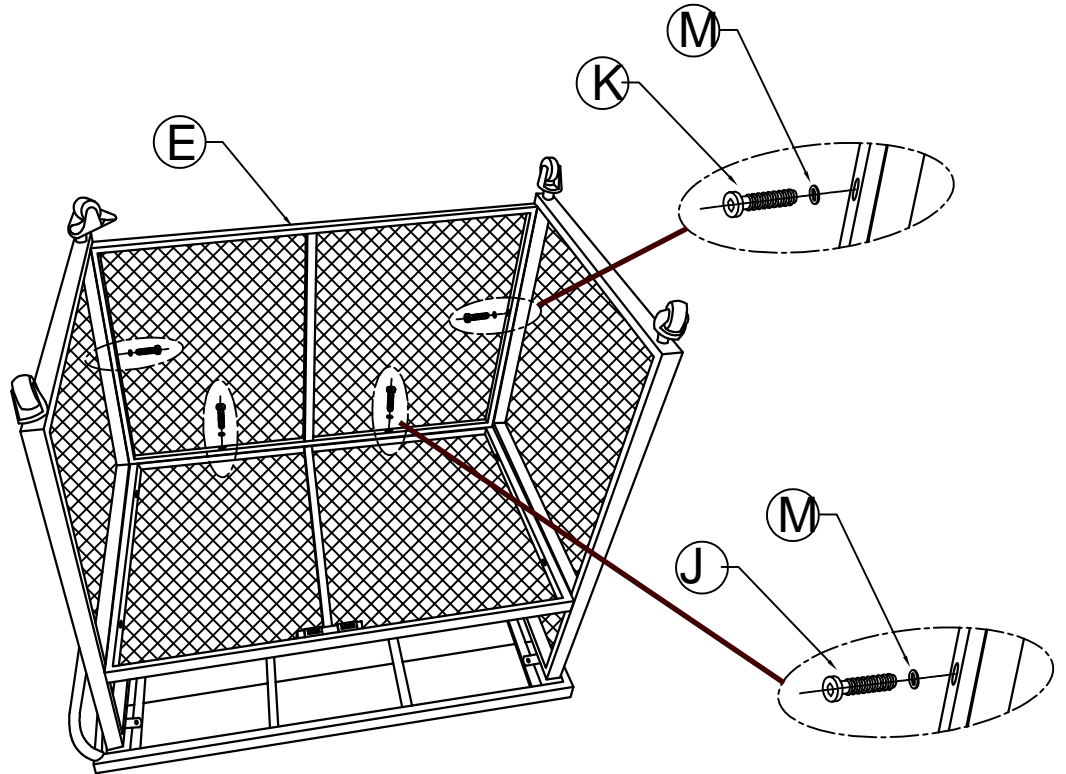
STEP 2

- Ⓓ x1
- Ⓚ x4
- Ⓜ x4



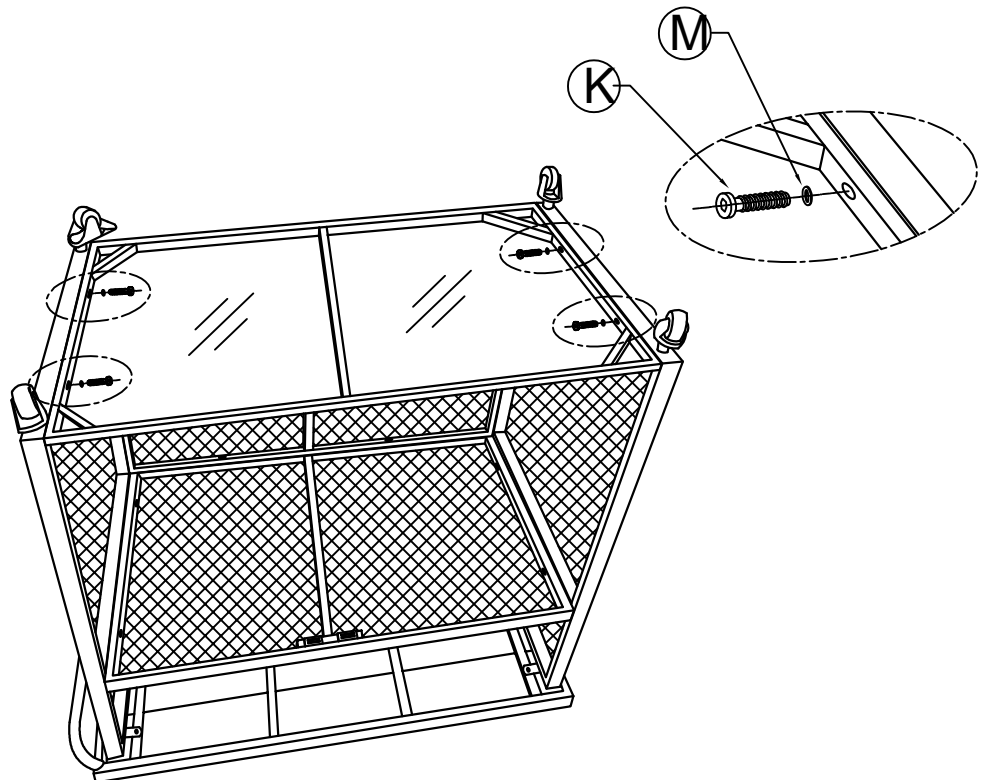
STEP 3

- ⓔ x1
- Ⓚ x2
- ⓐ x2
- Ⓜ x4



STEP 4

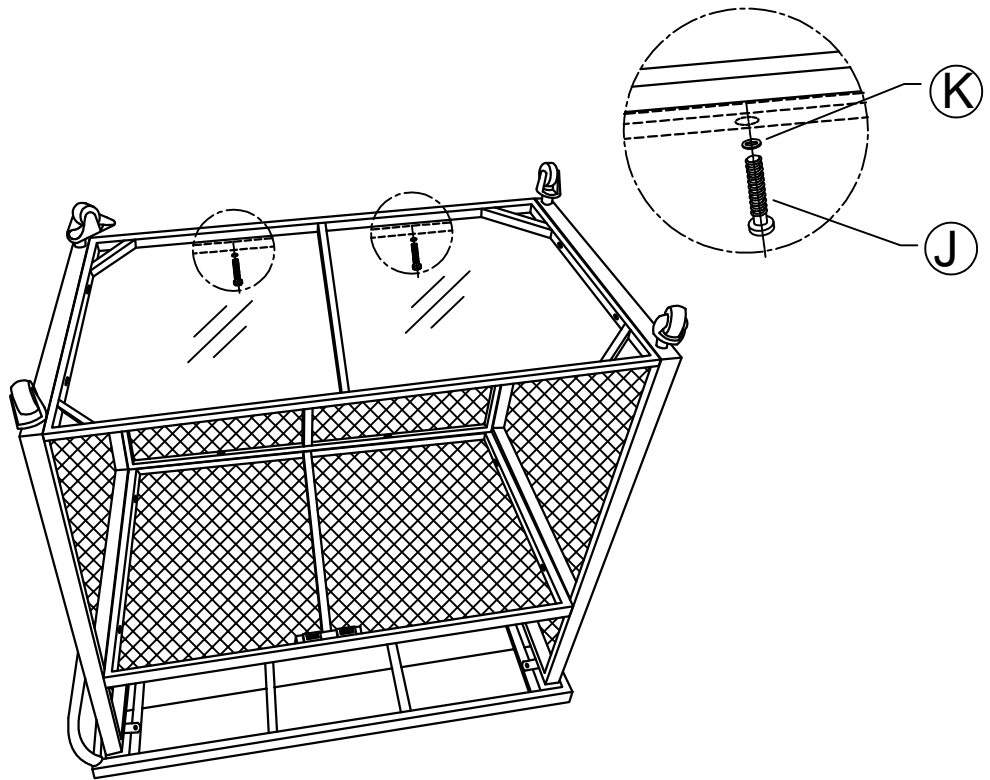
- ⓕ x1
- Ⓚ x4
- Ⓜ x4



STEP 5

ⓐ x2

ⓑ x2



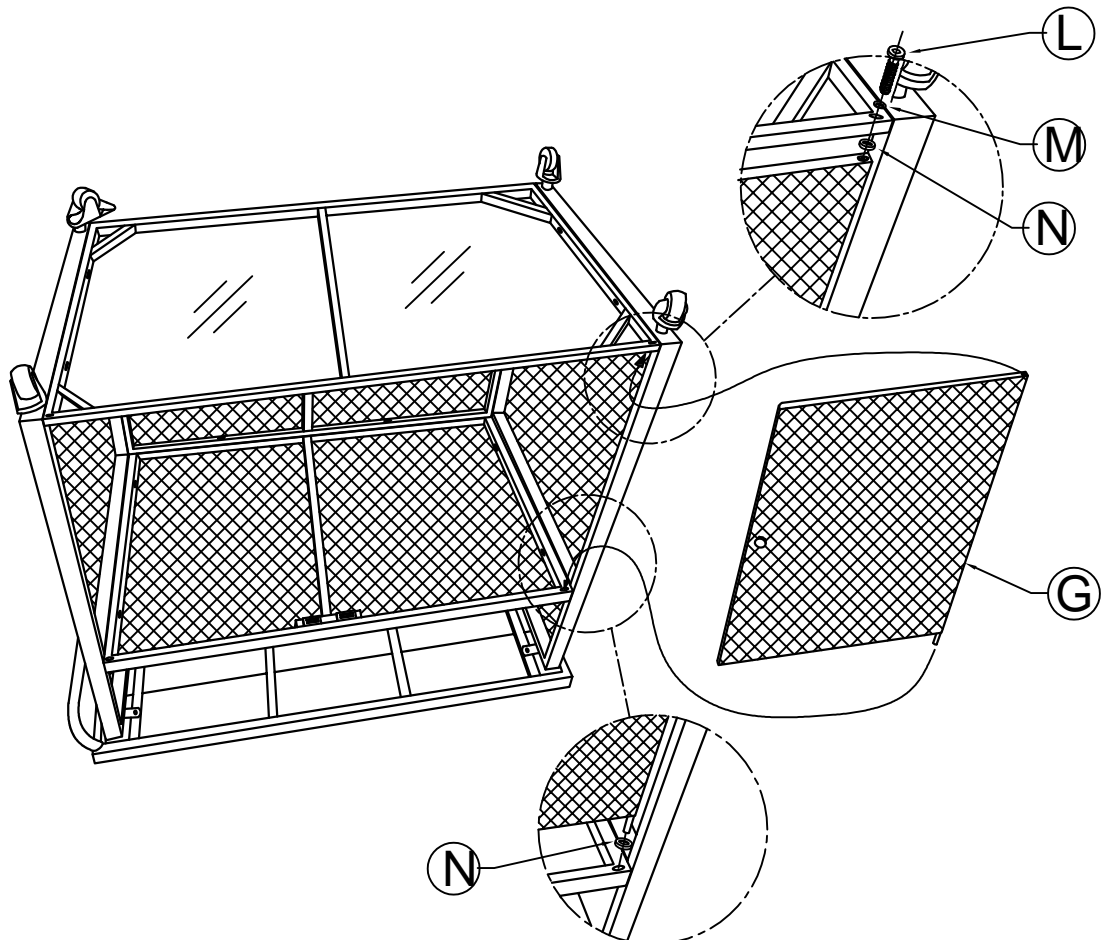
STEP 6

Ⓒ x1

Ⓓ x1

Ⓔ x1

Ⓝ x2



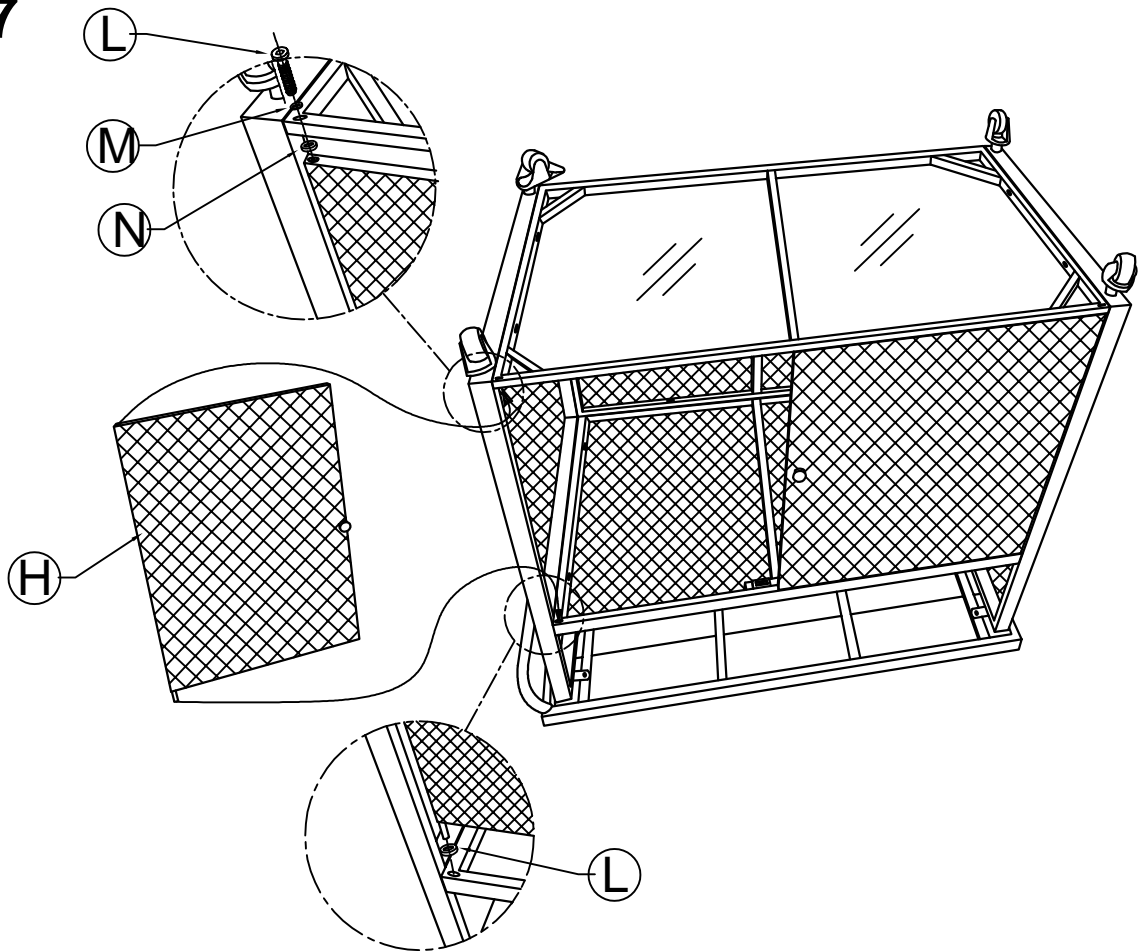
STEP 7

(H) x1

(L) x1

(M) x1

(N) x2



STEP 8

