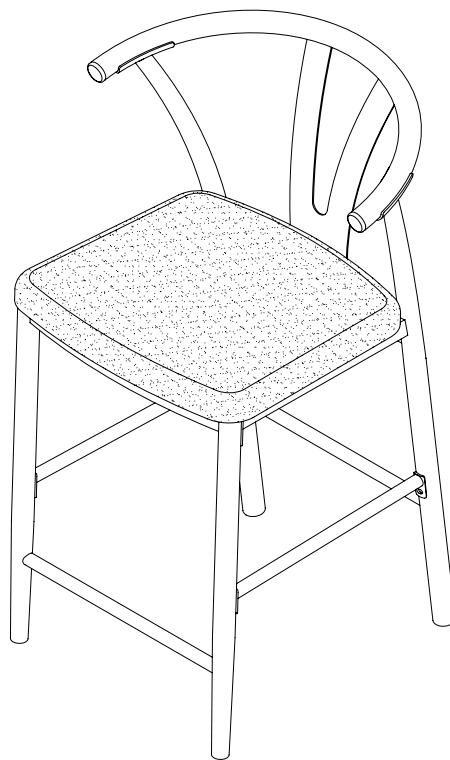


ASSEMBLY INSTRUCTIONS



COUNTER STOOL

ASSEMBLY INSTRUCTIONS

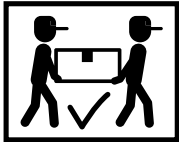
ASSEMBLY TIPS:

1. Remove hardware from box and sort by size.
2. Please check to see that all hardware and parts are present prior to start of assembly.
3. Please follow attached instructions in the same sequence as numbered to assure fast & easy assembly.



WARNING !

1. Don't attempt to repair or modify parts that are broken or defective. Please contact the store immediately.
2. This product is for home use only and not intended for commercial establishment.



ASSEMBLY TIME

20 MINUTE

PARTS IDENTIFICATION

A BACK LEG FRAME		1PC	E SIDE BOTTOM CROSSBAR		2PCS
B FRONT LEG FRAME		1PC	F LEFT UPPER CROSSBAR		1PC
C BACKREST		1PC	G RIGHT UPPER CROSSBAR		1PC
D ARMREST		1PC	H SEAT CUSHION		1PC

HARDWARE IDENTIFICATION

1	BOLT (3/16"x1/2")		2PCS
2	BOLT (1/4"x1/2")		20PCS
3	WASHER (φ16mm)		10PCS
4	ALLEN KEY (4x22x60mm)		1PC

NOTE:




Phillips head screw driver is required in the assembly process; however, manufacturer does not provide this item.

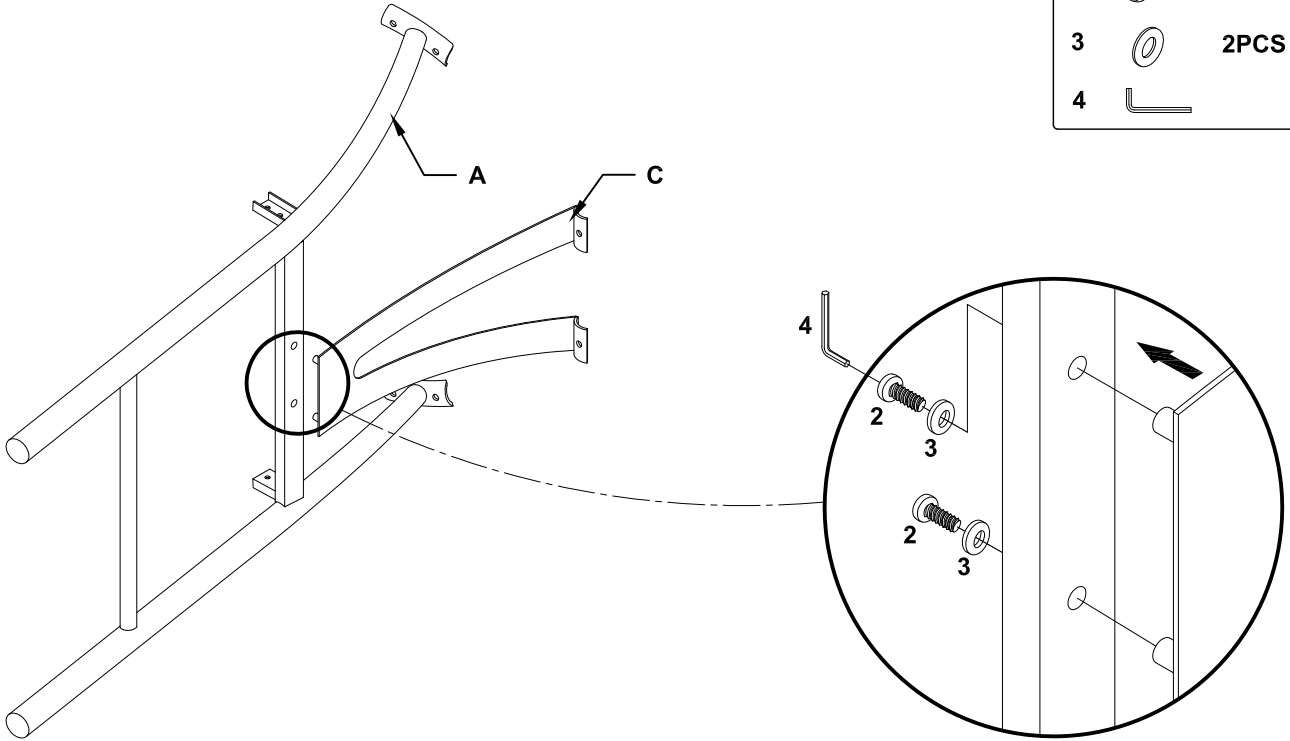
ASSEMBLY INSTRUCTIONS

STEP 1:




ASSEMBLY

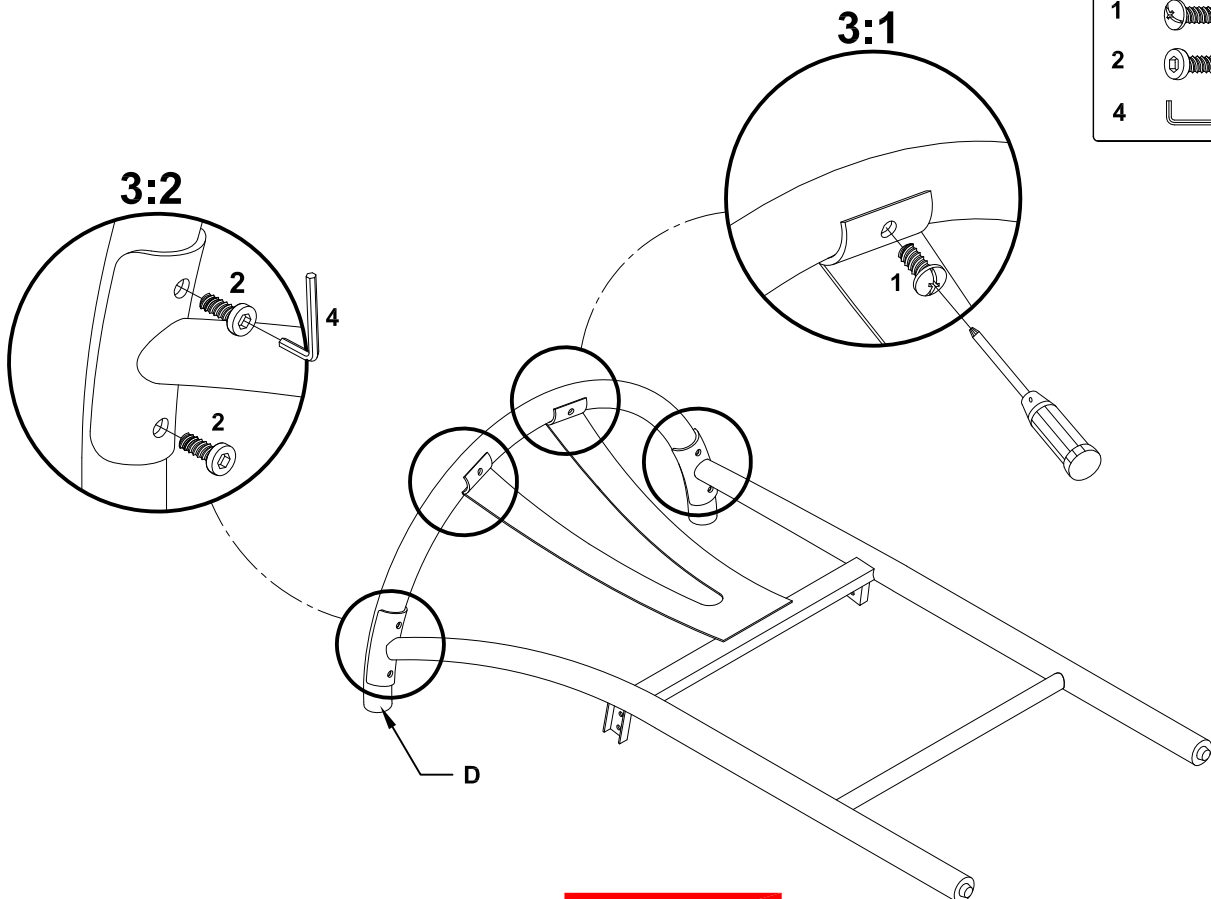
Do not fully tighten all bolts until assembly is complete.
This will help all parts to assemble properly.

2		2PCS
3		2PCS
4		



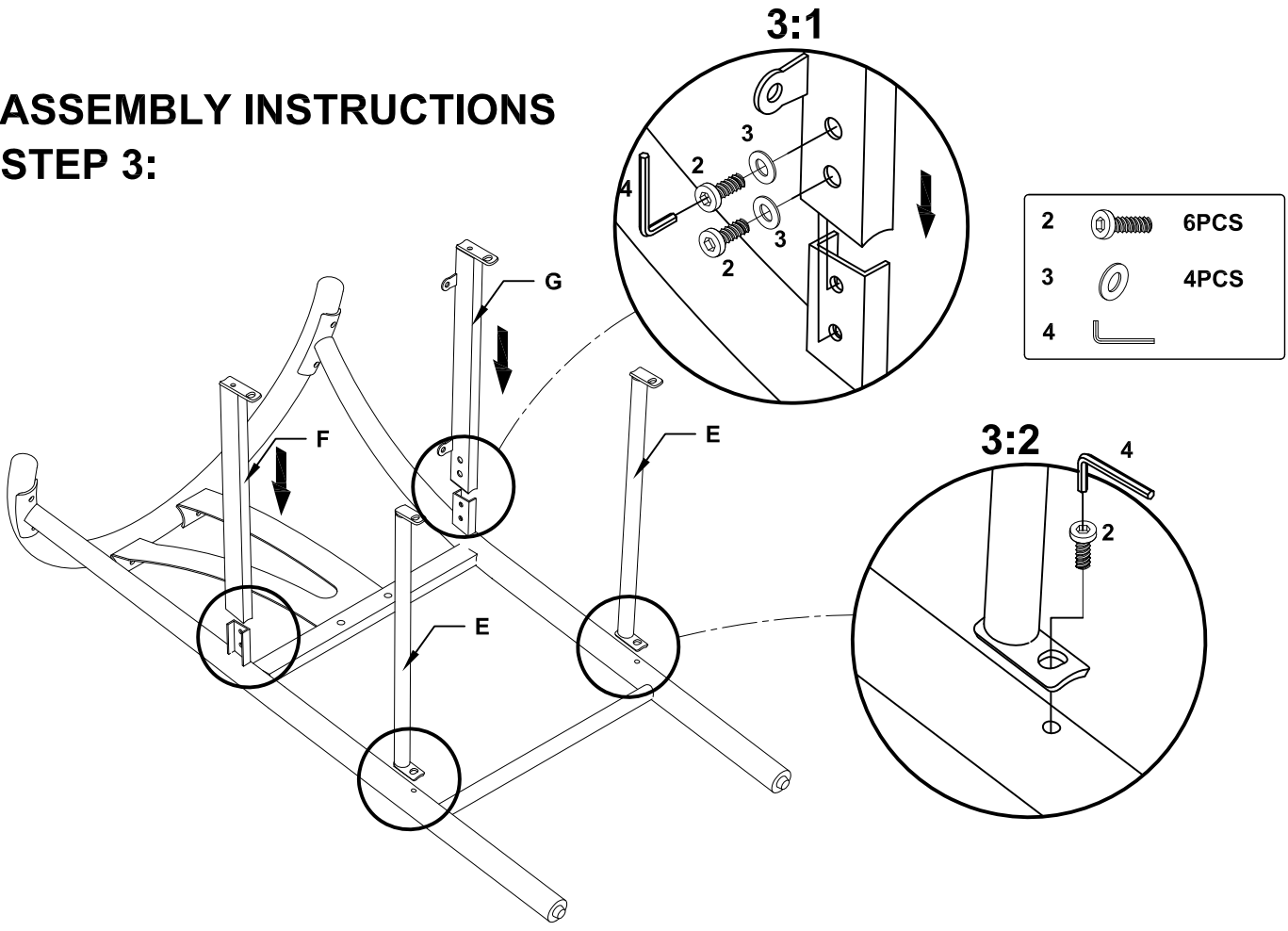
STEP 2:

1		2PCS
2		4PCS
4		

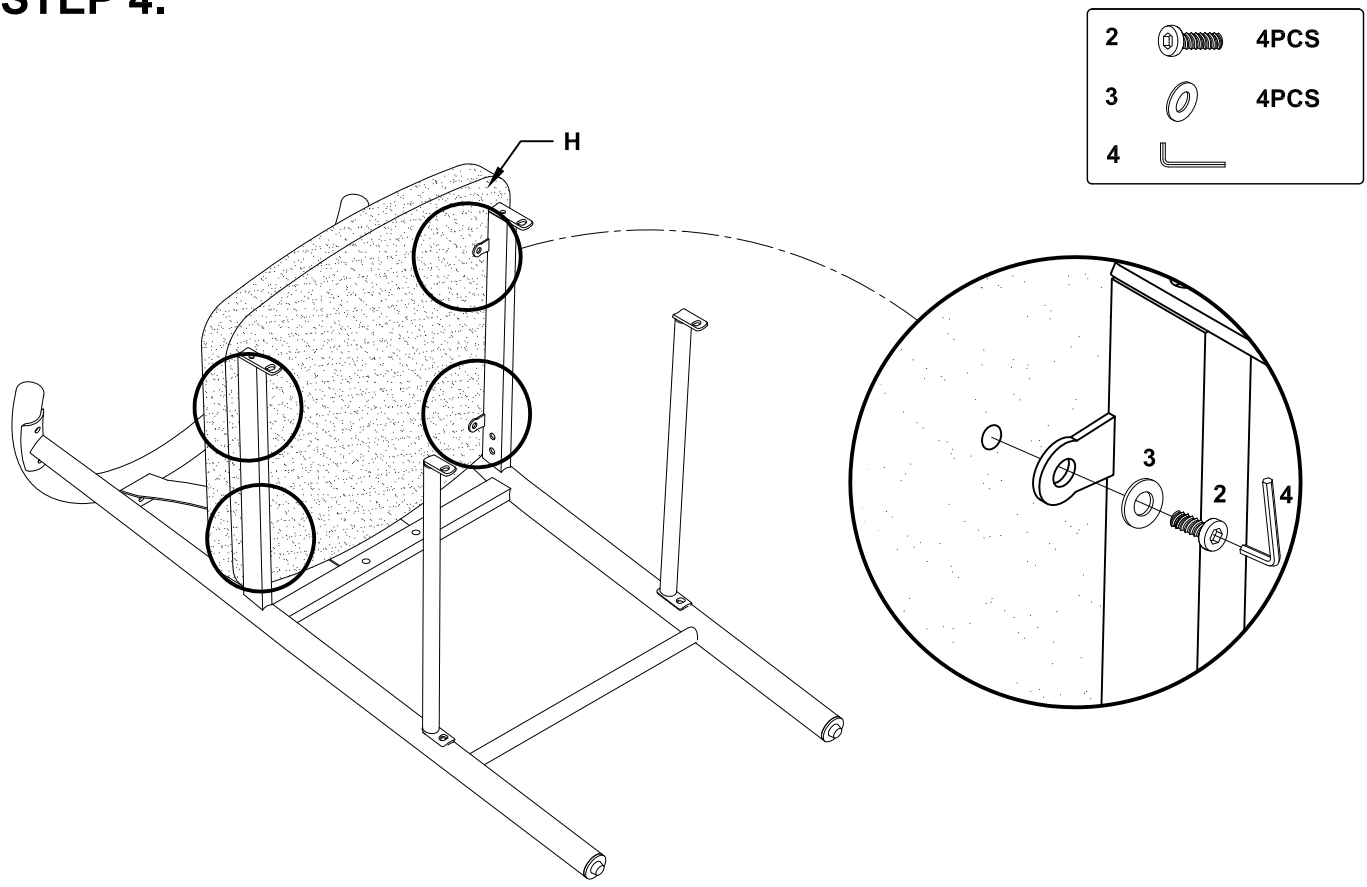


ASSEMBLY INSTRUCTIONS

STEP 3:





STEP 4:

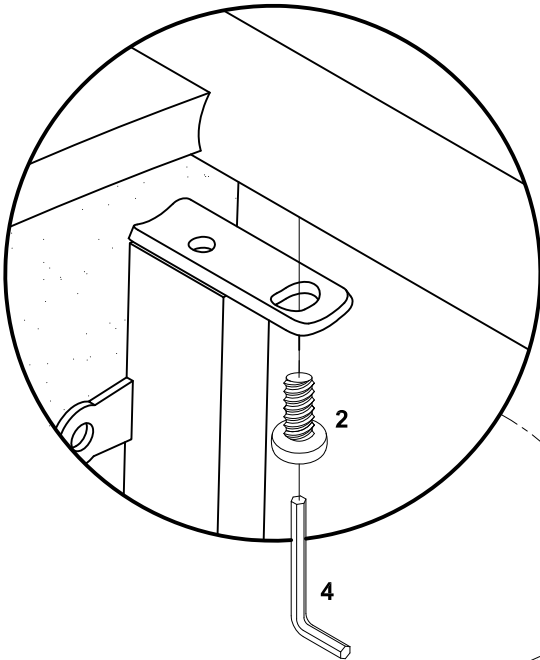


ASSEMBLY INSTRUCTIONS

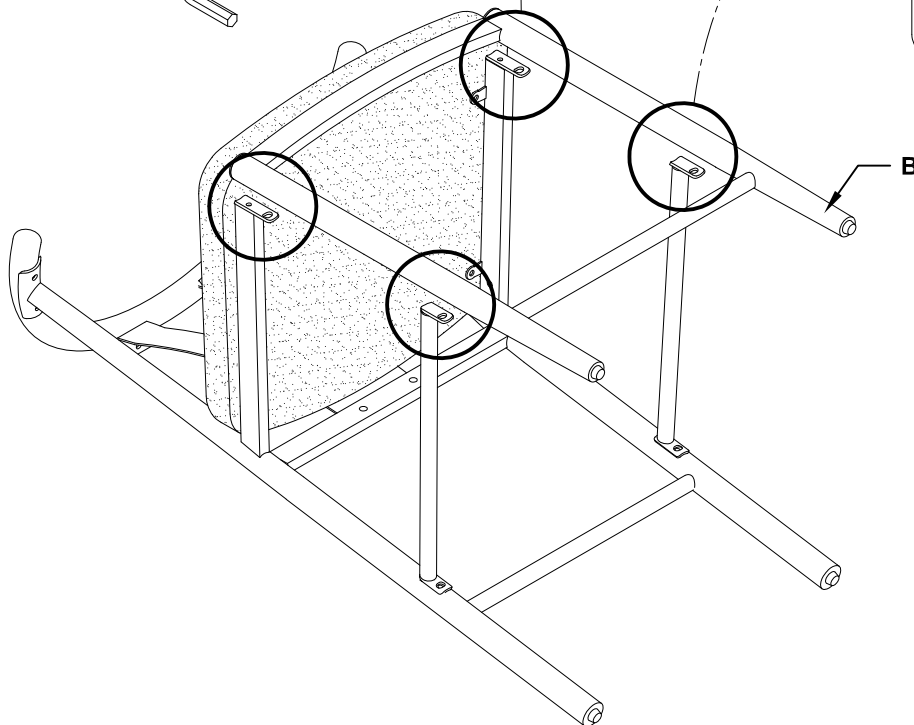
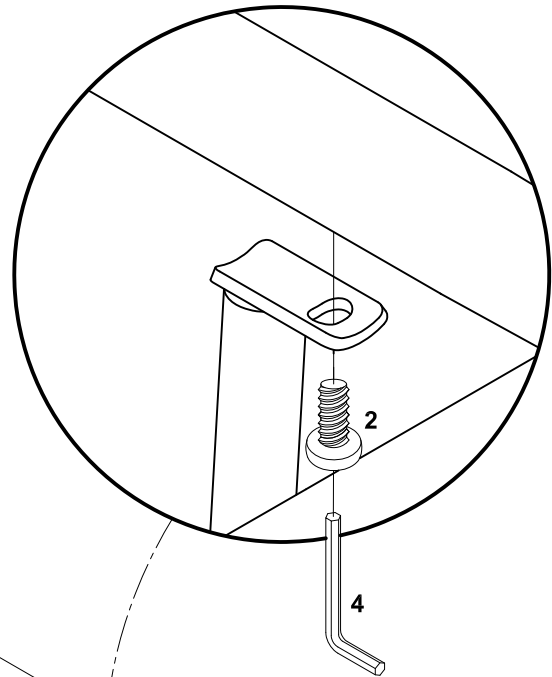
STEP 5:

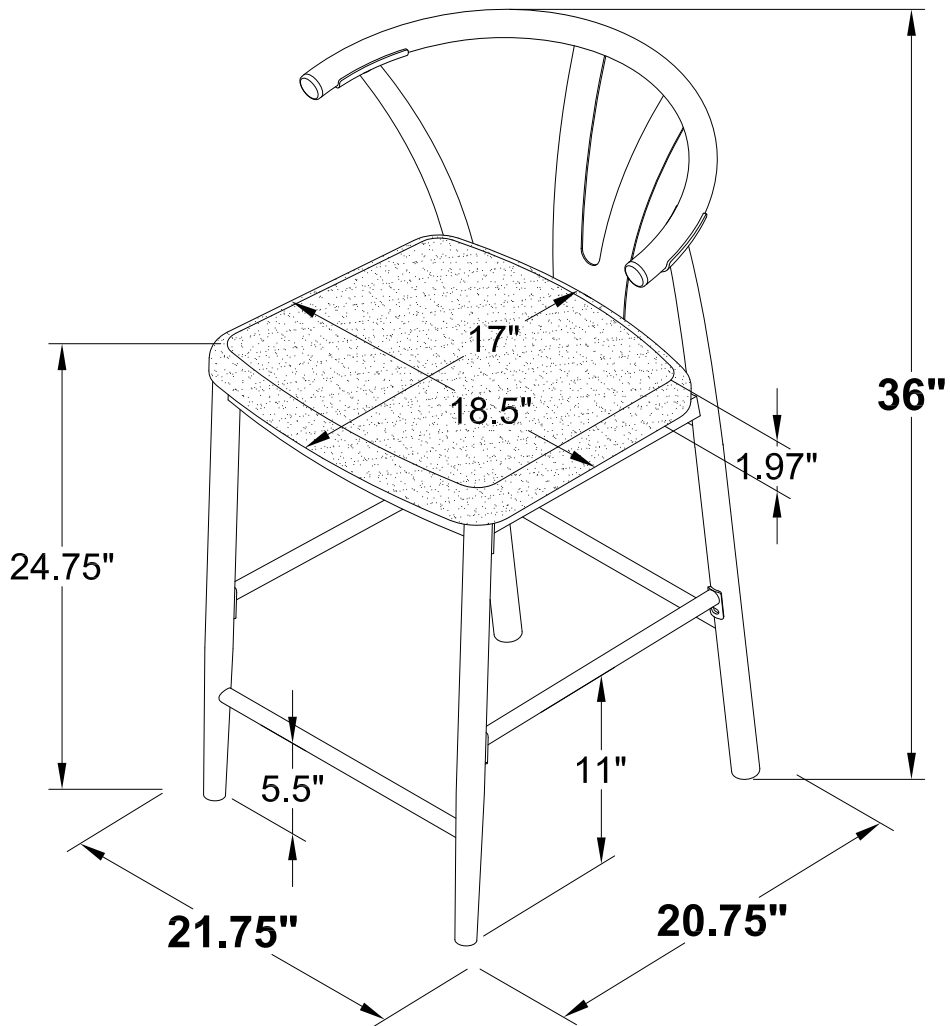
2		4PCS
4		

5:1



5:2





Note : Dimension tolerance $\pm 5\%$