


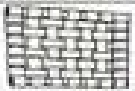

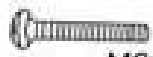






A		1
B		1
C		1
D		1
E		2

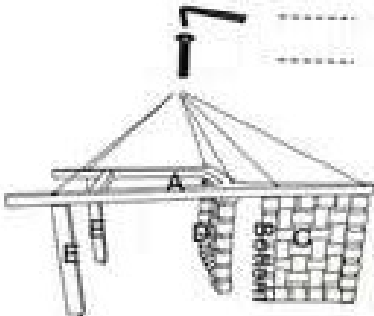
①	 M6x30mm	12pcs
②		12pcs
③		4pcs
④		1pc

1



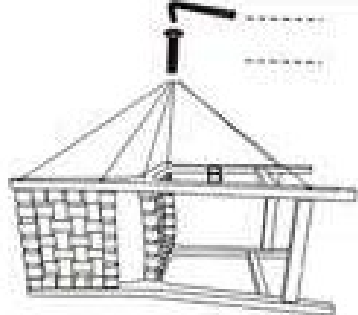
Attach the part 3 to the part E, tighten completely until step #2.

2




Attach the frame A to the part C, D and 2pcs E by using bolts (1) and wrench (4). Do not tighten bolts completely until step #3.

3



Attach the frame B to the part C, D and 2pcs E by using bolts (1) and wrench (4). Tighten bolts from assembly in Step 2.

4



Put the part 2 into the part A and B.

5



Finally Assembly