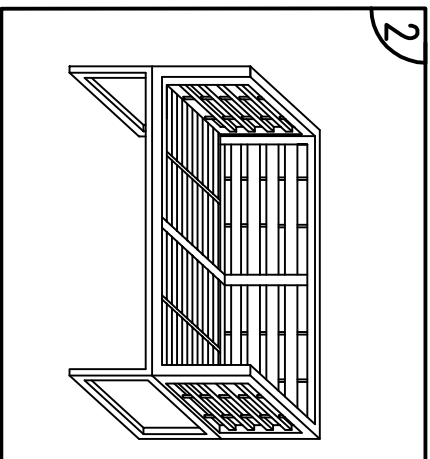
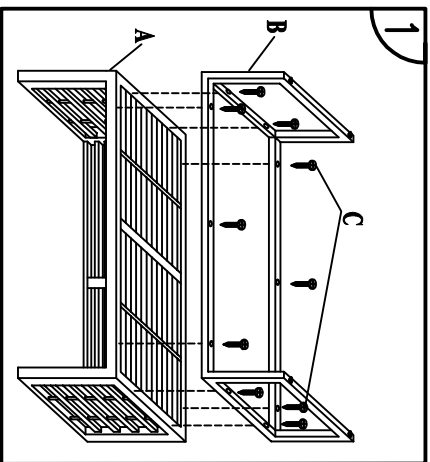

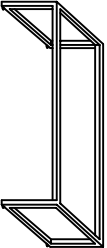

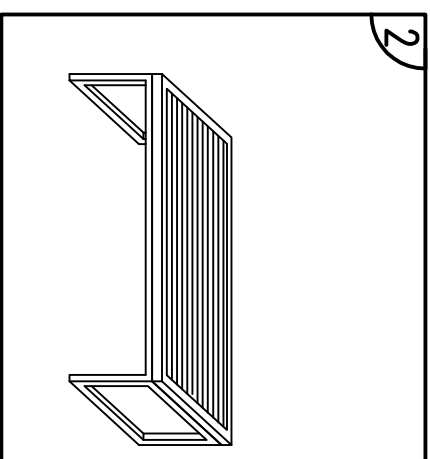
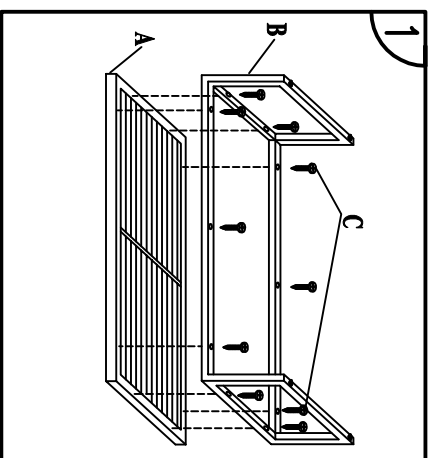


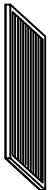
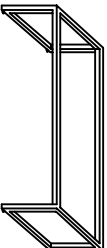

SOFA



NO.	PICTURE	NAME	QTY
A		wooden	1
B		frame	1
C		<i>screw</i> <i>M4*35</i>	10

TABLE



NO.	PICTURE	NAME	QTY
A		wooden	1
B		frame	1
C		<i>screw</i> <i>M4*35</i>	10