

artos[®]

FTS100137

INSTALLATION GUIDE

trova touch sense kitchen
faucet

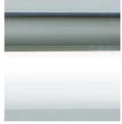
BRUSHED NICKEL (BN)



BLACK (BK)



CHROME (CH)



SATIN BRASS (SB)



artos[®]

FTS100137

trova touch sense kitchen
faucet

OPERATING SPECIFICATIONS



OPERATING FLOW RATE/PRESSURE

1.8 gpm max (6.8L/min) at 60 psi

OPERATING TEMPERATURE

Maximum: 176°

CARTRIDGE

ceramic disk cartridge

STANDARDS

Certified to CUPC

Certified to ABI953

Certified to NSF/ANSI 61

ADA for lever handle

Hole Dimensions

1-3/4" (for stainless steel surfaces)

1-3/8" (for non stainless steel surfaces)

REQUIREMENTS

Max Surface Thickness: 1-1/2"

APPROVALS

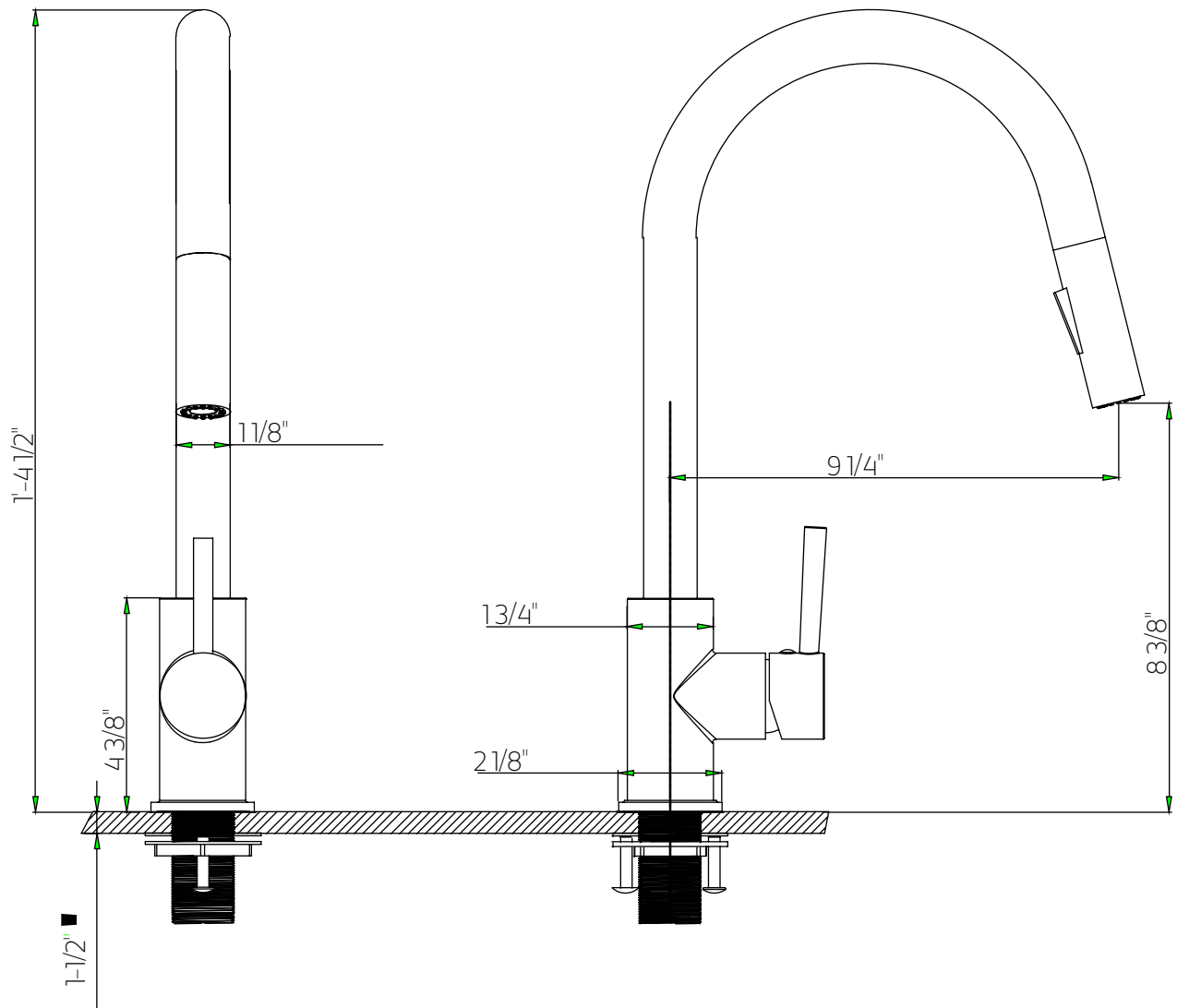


artos®

FTS100137

trova touch sense kitchen
faucet

PRODUCT DIMENSIONS



artos[®]

FTS100137

trova touch sense kitchen
faucet

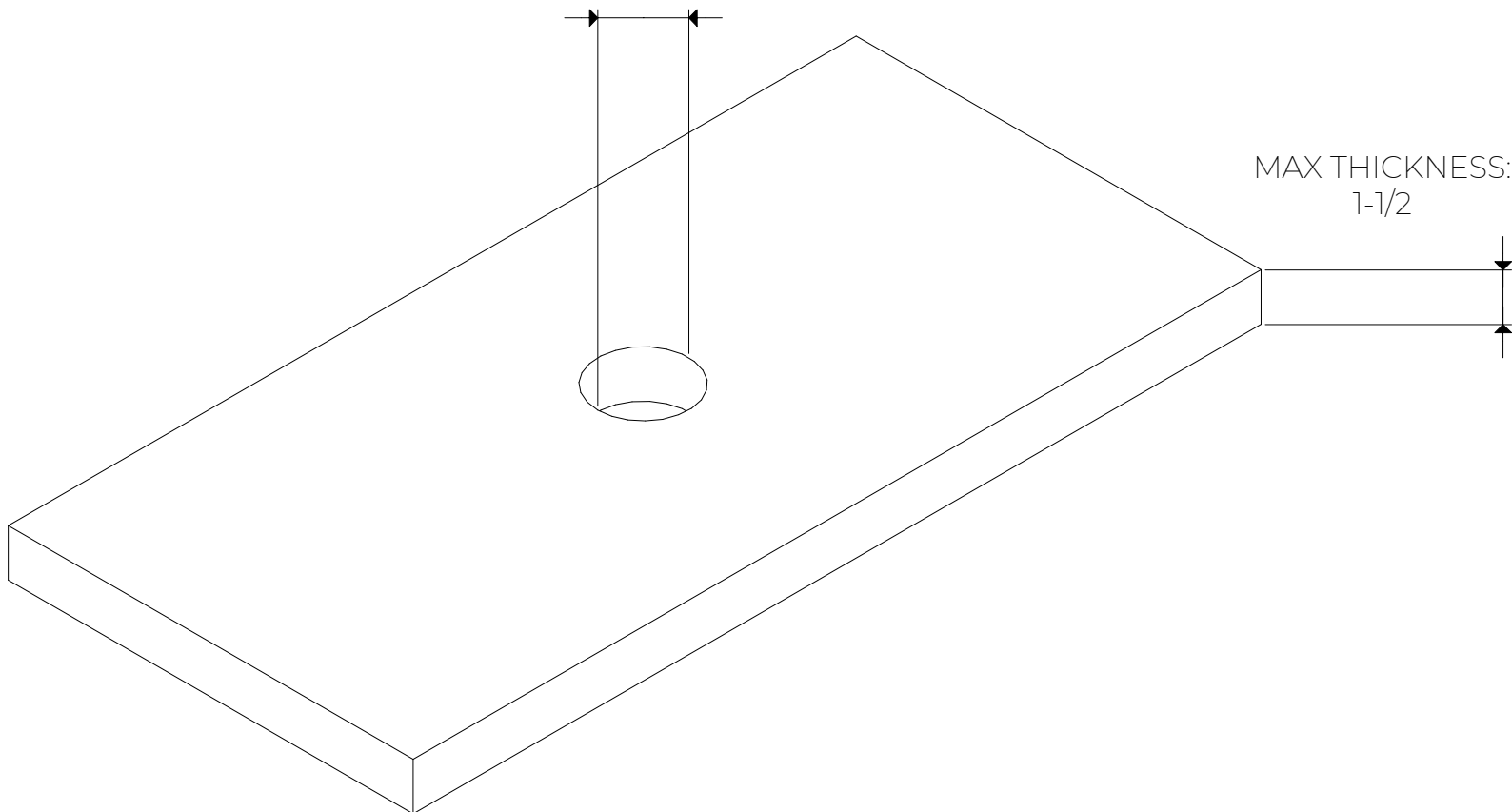
INSTALLATION STEPS

IMPORTANT - PLEASE PAY ATTENTION TO THIS PRIOR TO INSTALLATION

DIAMETER:

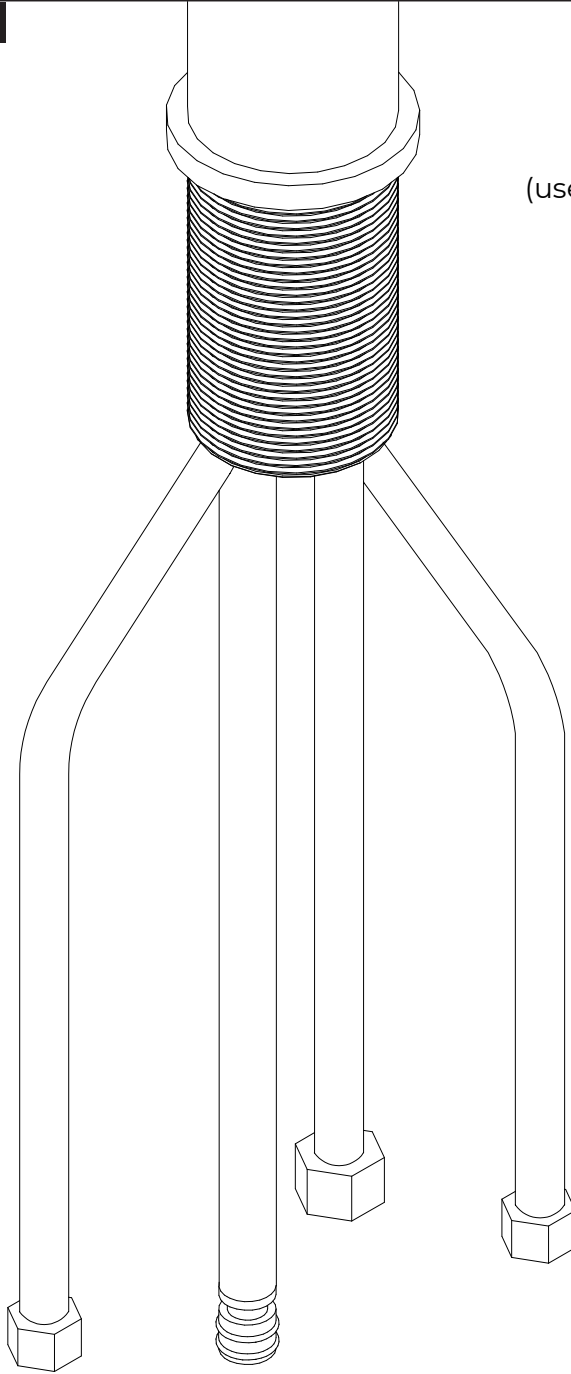
1-3/4" (FOR STAINLESS STEEL SINKS)

1-3/8" (FOR NON STAINLESS STEEL SINKS)

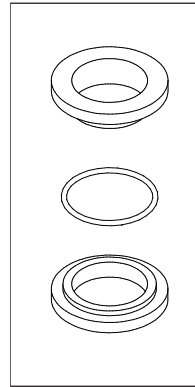


MAX THICKNESS:
1-1/2

STEP 1



insulating washer assembly
(use only on stainless steel surfaces)



← top base

← o-ring

← lower base



← rubber washer



← metal washer



← securing nut



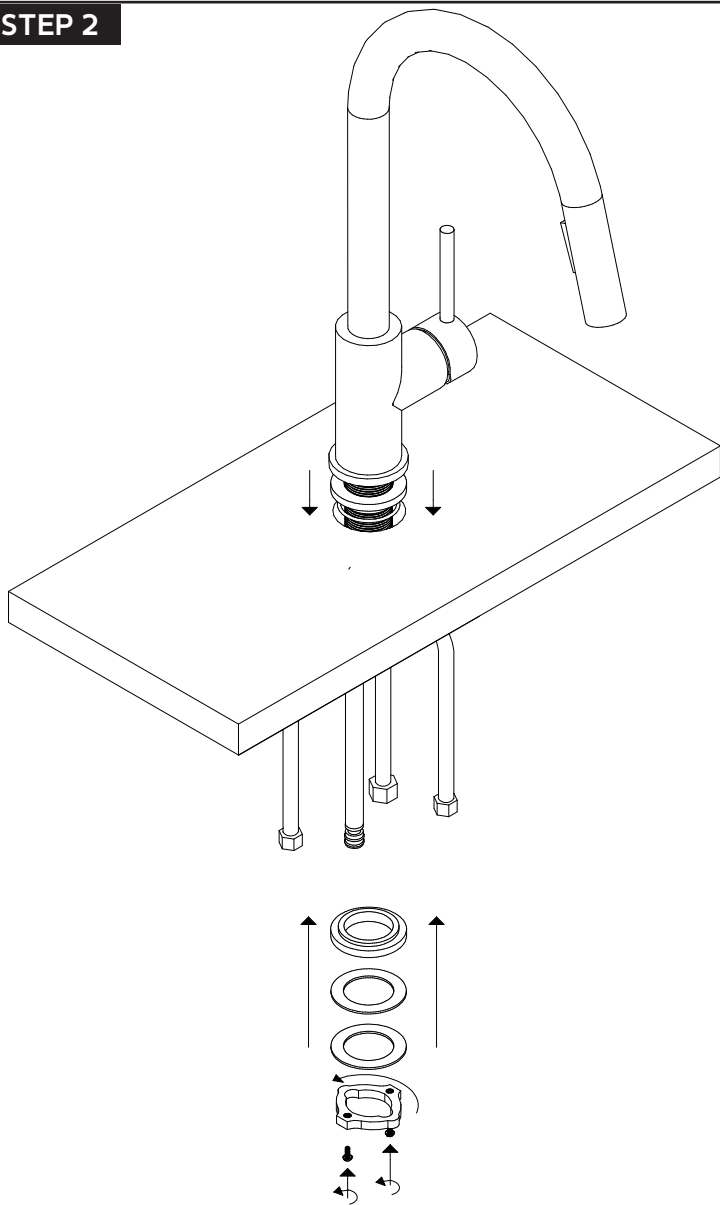
Remove securing nut, metal washer, and rubber washer. If installing on a stainless steel surface, remove the insulating washer assembly from the packaging.

artos[®]

FTS100137

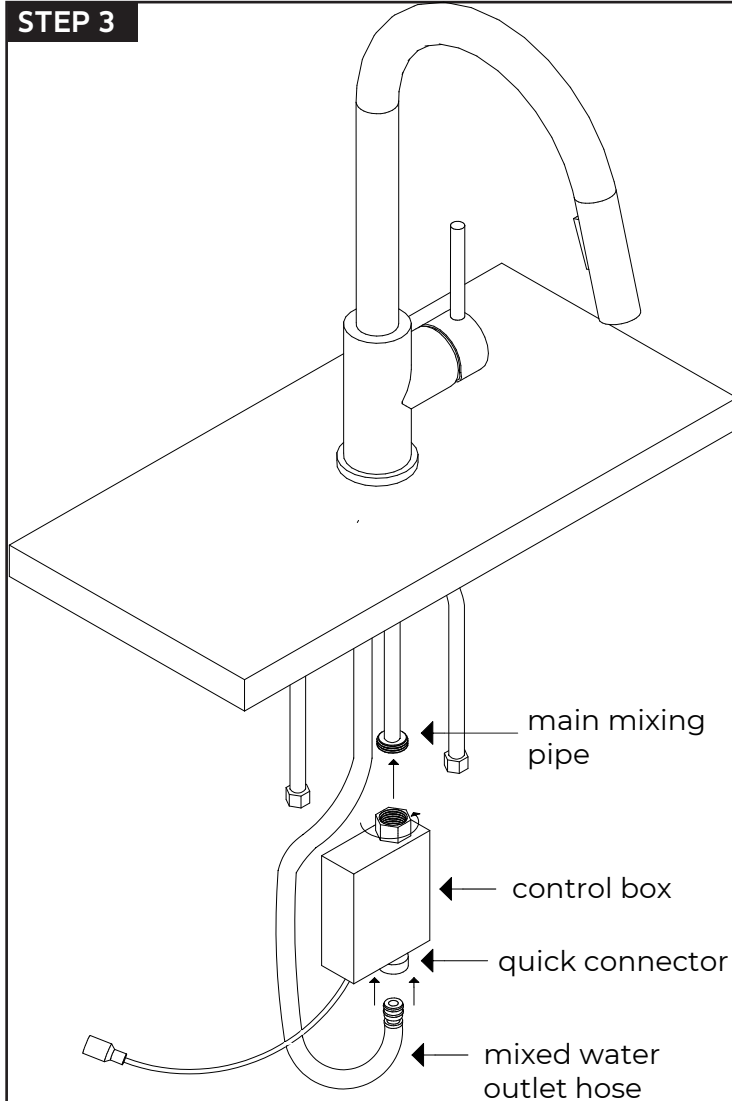
trova touch sense kitchen
faucet

STEP 2



Install faucet through counter top hole, install insulating washer assembly (stainless steel installs only), rubber washer, metal washer, and securing nut (hand tight). Tighten the securing nut screws with a screwdriver.

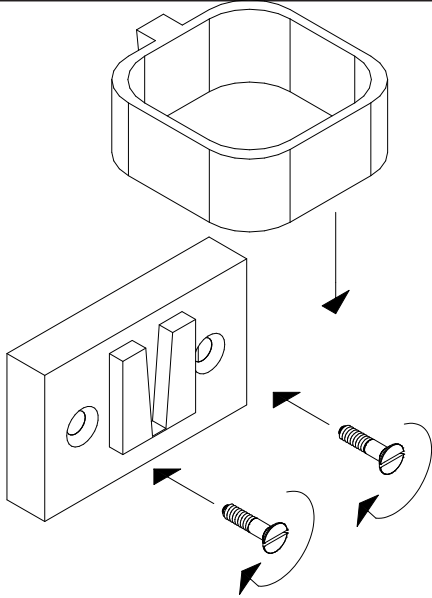
STEP 3



Attach the control box to the main mixing pipe and insert the mixed water outlet hose to the quick connector on the bottom.

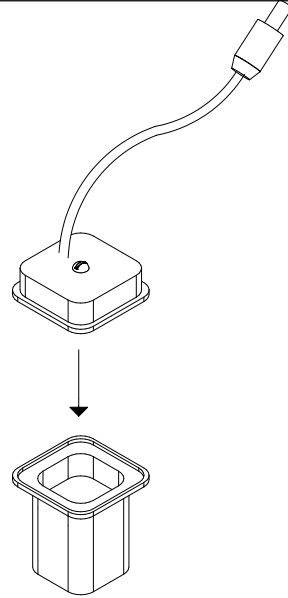
INSTALLATION STEPS

STEP 4



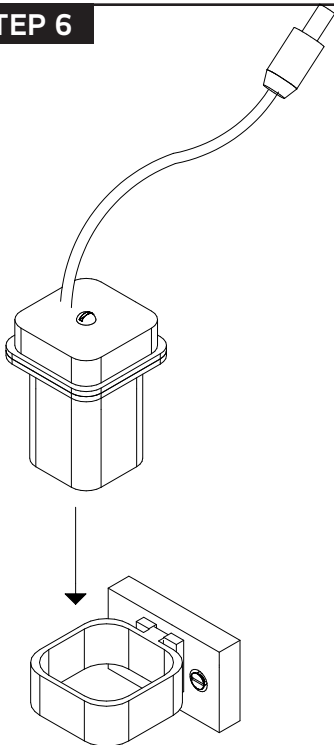
Place battery holder in an appropriate position on the wall. Fix in with screws.

STEP 5



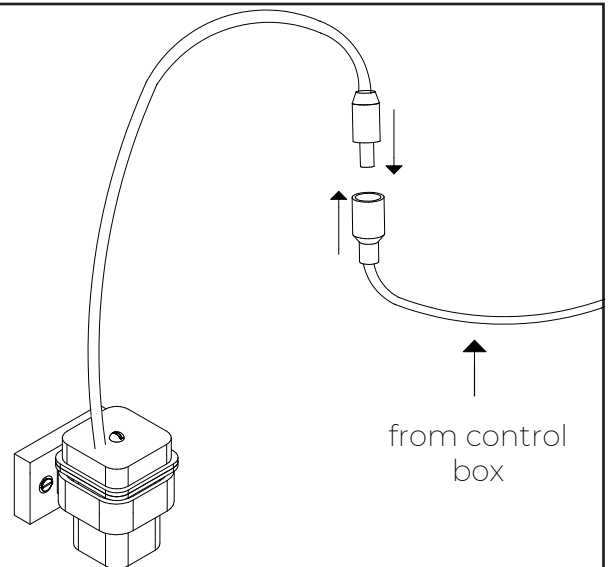
Unscrew and remove battery box cover, put 4 AA batteries into the box and re-assemble.

STEP 6



Put the battery box into the battery holder.

STEP 7



Connect control box to the battery box.

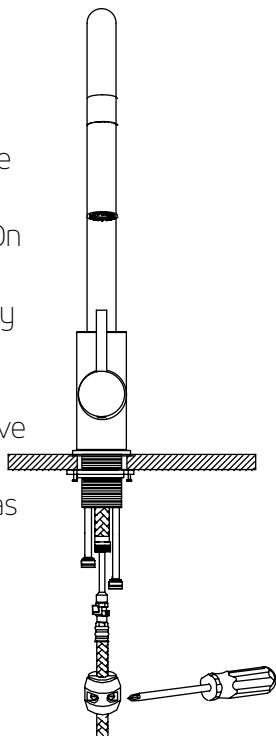
artos[®]

FTS100137

trova touch sense kitchen
faucet

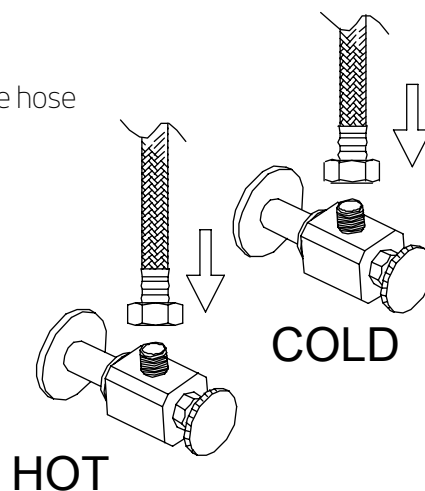
STEP 5

5. Proper installation of the hose weight kit will ensure that the spray head retracts smoothly. On the spray side of the hose, measure 15" down from the body of the faucet. Install the hose weight kit at this point. Pull out on the spray head. It should move easily and retract smoothly. Reposition the hose weight kit as necessary.



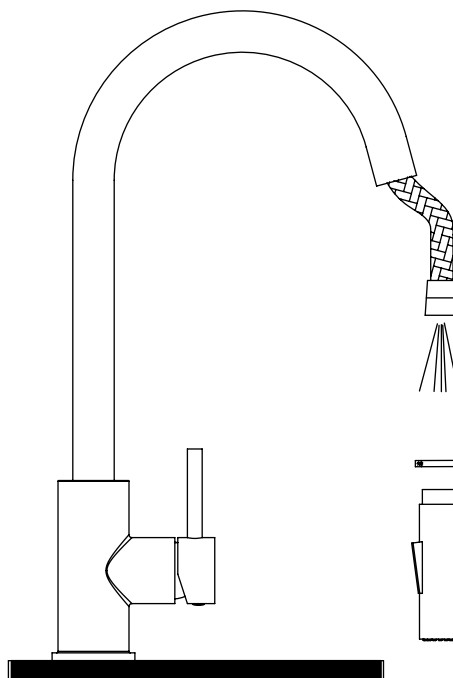
STEP 6

6. Attach flexible hose to water supply.



STEP 7

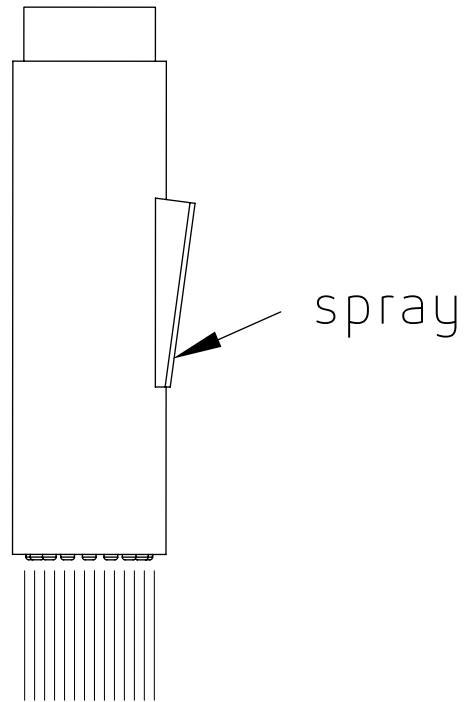
7. Hold onto the spray-head hose, unscrew spray head and remove it along with the rubber washer. Turn on the faucet to flush the hose and feed line for 1-minute to flush debris. Turn off faucet and re-install the rubber washer and spray head.



INSTALLATION STEPS

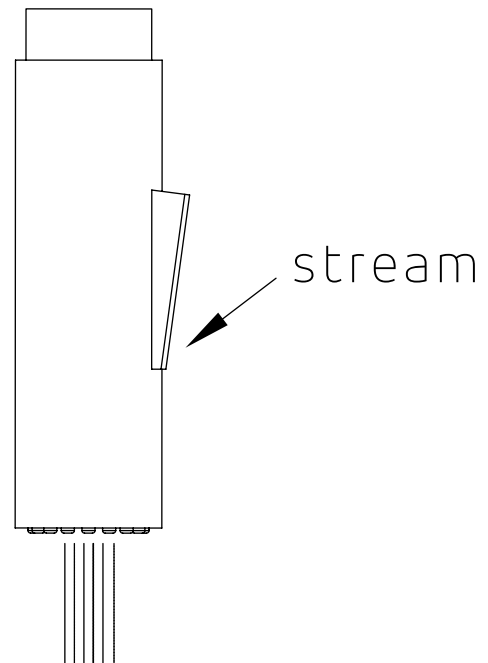
STEP 8

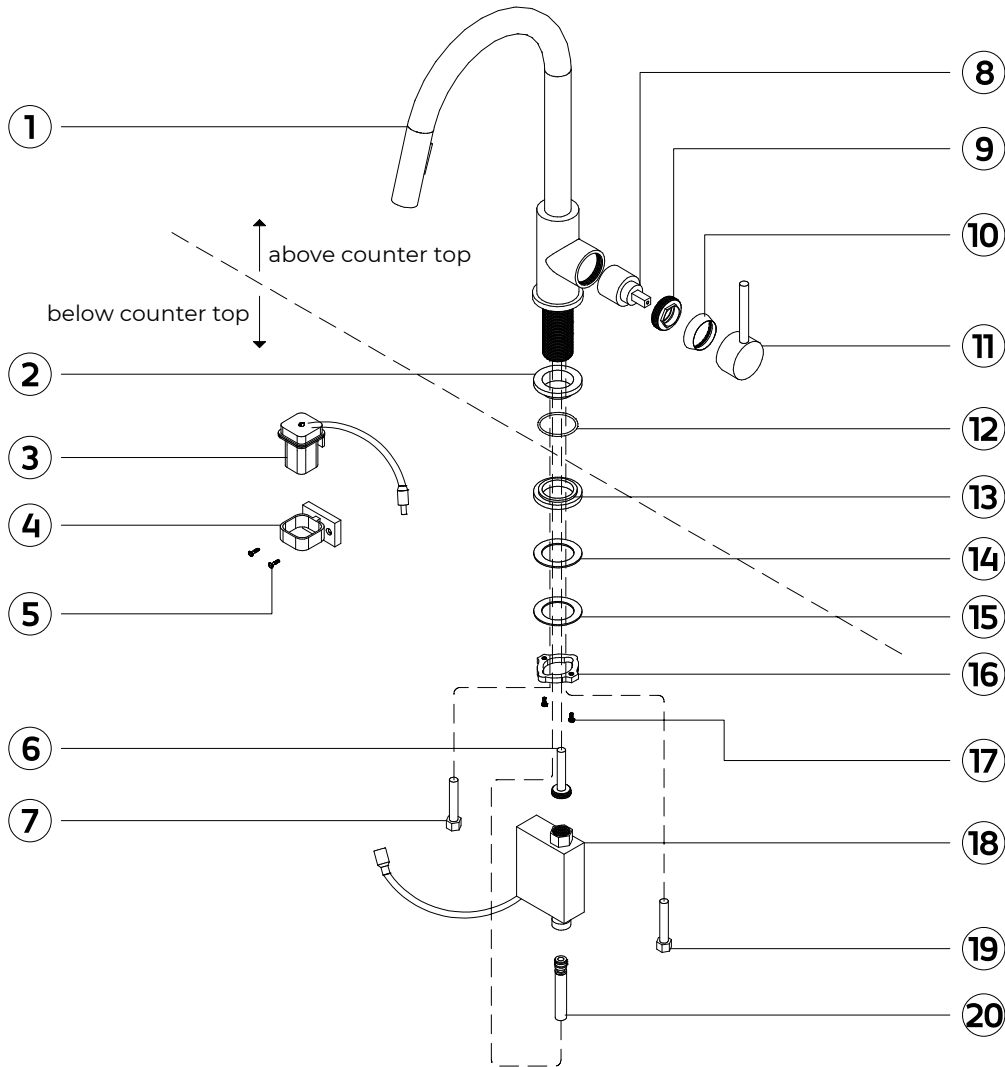
8. Turn the faucet on and press the top of the spray head button to change to the spray.



STEP 9

9. Turn the faucet on and press the bottom of the spray head button to change to stream.





- | | |
|---------------------------------|-----------------------------|
| ① FAUCET BODY: FTS100137 | ⑪ HANDLE |
| ② TOP INSULATING WASHER* | ⑫ INSULATING WASHER O-RING* |
| ③ BATTERY BOX | ⑬ BOTTOM INSULATING WASHER* |
| ④ BATTERY BOX HOLDER | ⑭ RUBBER WASHER |
| ⑤ BATTERY BOX HOLDER SCREWS (2) | ⑮ METAL WASHER |
| ⑥ MAIN MIXING PIPE | ⑯ SECURING NUT |
| ⑦ HOT WATER SUPPLY HOSE | ⑰ SECURING NUT SCREWS (2) |
| ⑧ CARTRIDGE: XP-12828 | ⑱ CONTROL BOX |
| ⑨ CARTRIDGE SECURING NUT | ⑲ COLD WATER SUPPLY HOSE |
| ⑩ DRESS RING | ⑳ MIXED WATER OUTLET HOSE |

*COMPONENTS FOR STAINLESS STEEL SINKS