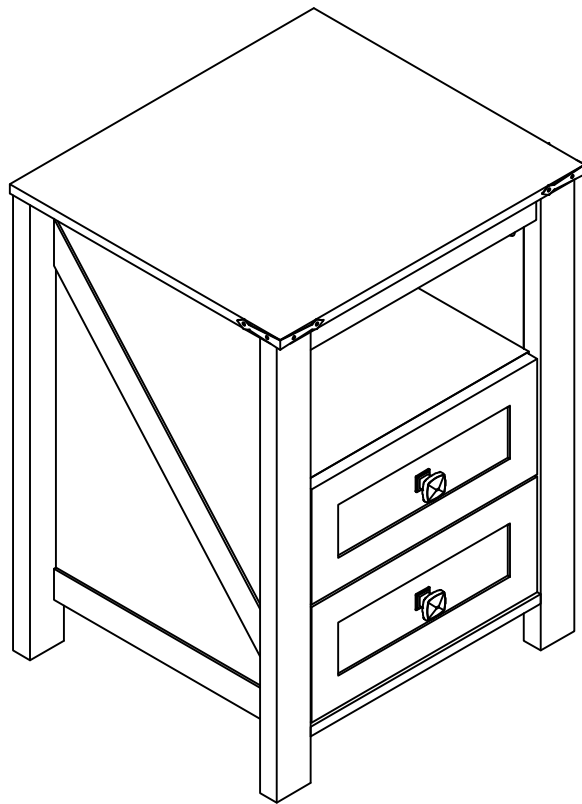


Cabinet

Assembly Instruction - Please keep properly for future reference.

If you find any missing boxes, damaged parts, or accessory shortages, please contact the customer service team of your purchasing channel immediately. We will resolve the issue as quickly as possible.



V1.0

EN

THE FOLLOWING INFORMATION:

- Order number
 - Purchase platform
 - Purchase date
 - Detailed description of the issue along with photos (if applicable)
-

Important - Please read these instructions carefully before starting the installation.

Before Assembly



Thank you for choosing our product!

To ensure a smooth installation process, please read this guide carefully to familiarize yourself with the required tools, materials, and installation steps.

Follow the relevant sections to avoid any damage caused by improper installation, and make sure to review all operation and safety guidelines for correct installation procedures.

Packaging Notice:

If you find any missing boxes, damaged parts, or accessory shortages, please contact the customer service team of your purchasing channel immediately. We will resolve the issue as quickly as possible.

Safety and Care Advice



Important :

Please read these instructions fully before starting assembly.

- Check you have all the components and tools listed on the following pages.
- Remove all fittings from the plastic bags and separate them into their groups.
- Keep children and animals away from the work area, small parts could choke if swallowed.
- Make sure you have enough space to layout the parts before starting.
- During assembly do not stand or put weight on the product, this could cause damage.
- Assemble the item as close to its final position (in the same room) as possible.
- Assemble on a soft level surface to avoid damaging the unit or your floor.
- Parts of the assembly will be easier with 2 people.



- To reduce the likelihood of damaging your product please ensure that your power drill is set on a low torque setting.

Care and Maintenance

- Only clean using a damp cloth and mild detergent, do not use bleach or abrasive cleaners.
- From time to time check that there are no loose screws on this unit.
- This product should not be discarded with household waste. Take to your local authority waste disposal center.

Handy Hints

- Assemble all parts and bolts loosely during assembly, only once the product is complete should you fully tighten the bolts.
- Regularly check and ensure that all bolts and fittings are tightened properly.

Warning

In order to help prevent overturning, please follow these instructions.

- Use the anti tip strap or wall fixing method provided (if applicable).
- Do not allow children to climb or hang on the furniture.
- Do not open more than one drawer at a time.
- Do not place heavy items in the top drawers.
- Do not place heavy items on top of the furniture, unless the furniture has been designed for this purpose.
- Please note that only the anti tip strap is provided. You will need to provide wall plugs and screws applicable for your wall type.

Customer Service Guide



Thank you for choosing our product! We are committed to providing you with excellent service. If you find any missing parts, damaged packaging, or product damage after receiving all packages, please follow the steps below to quickly contact our customer service team. We will do our best to resolve your issue.

1. Missing Parts

Verify Parts:

1. Refer to the “Parts List” in the manual to verify the name, specifications, and quantity of the missing parts.
2. Take a clear photo of the parts list and mark the missing parts with detailed information, e.g., “Missing 5 pieces of M6×30mm screws.”

Contact Us:

By Email:

Send an email with the subject line “Missing Parts Issue.” Include the following in the email:

- A description of the missing parts and a photo of the parts list.
- Order details (order number, purchase platform, purchase date).

2. Product or Packaging Damage

If it affects normal use:

Steps:

1. Take clear photos or videos showing the damaged parts and the extent of the damage (multi-angle shots are recommended).
2. Email the photos/videos along with order details with the subject line “Product Damage Issue.”

Resolution:

After verification, we will arrange for a replacement part, product exchange, or refund as quickly as possible.

If it does not affect normal use:**Steps:**

1. Contact our customer service team.
2. Provide a description of the damage and include relevant photos or videos.

Resolution:

We will provide repair guidance or an appropriate compensation plan based on the specific situation.

Helpful Tips

To process your issue efficiently, please prepare the following information:

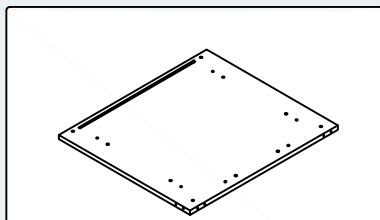
- Order details (order number, purchase platform, purchase date).
- Clear photos or videos.
- We are committed to providing quick and professional solutions, no matter the size of the issue, to ensure your satisfaction.

**Thank you for your trust and support!
We hope you enjoy using our product!**

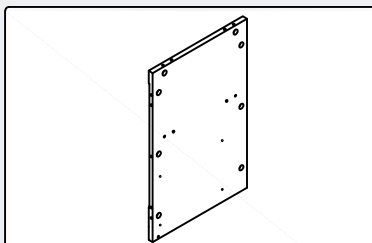
Parts List - Panels



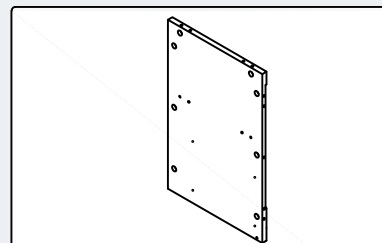
Please check you have all the panels listed below.



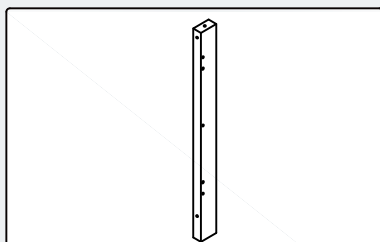
1 450*400*12mm **x1**



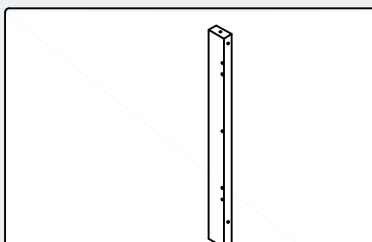
2 528*340*12mm **x1**



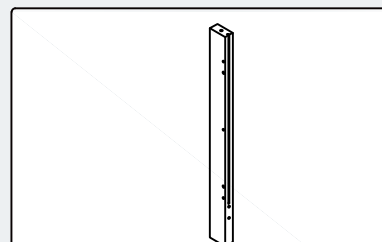
3 528*340*12mm **x1**



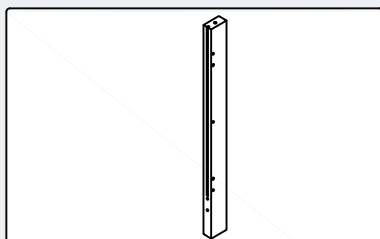
4 588*50*25mm **x1**



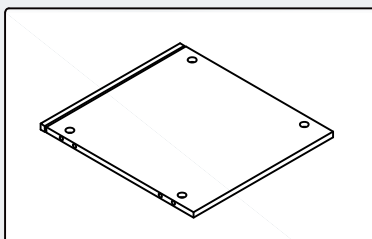
5 588*50*25mm **x1**



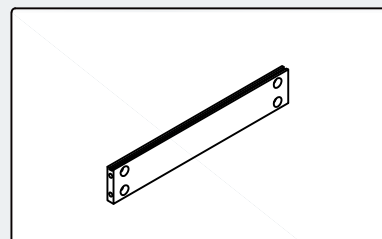
6 588*50*25mm **x1**



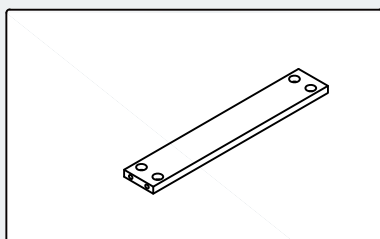
7 588*50*25mm **x1**



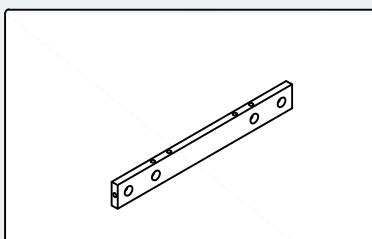
8 340*373*12mm **x1**



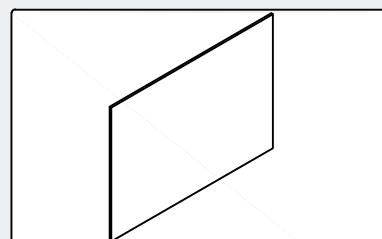
9 340*57*12mm **x1**



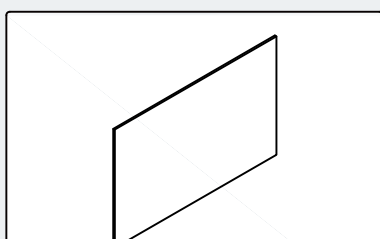
10 340*57*12mm **x1**



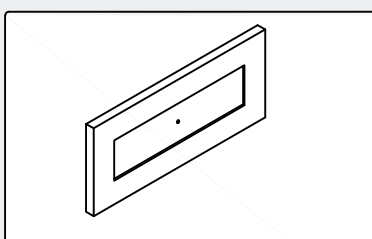
11 340*40*12mm **x1**



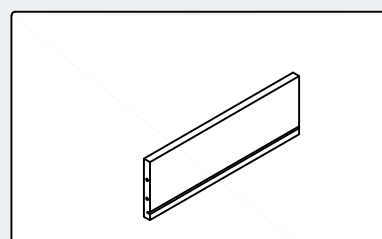
12 350*251*3mm **x1**



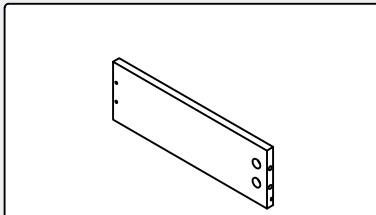
13 350*220*3mm **x1**



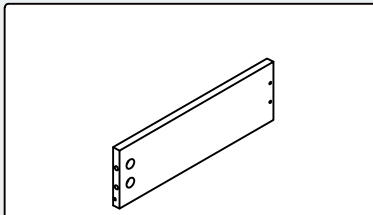
14 334*148*15mm **x2**



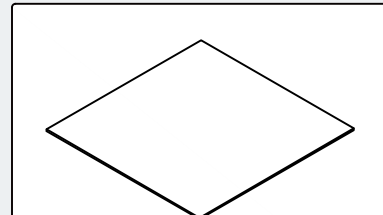
15 291*98*12mm **x2**



16 300*98*12mm **x2**



17 300*98*12mm **x2**



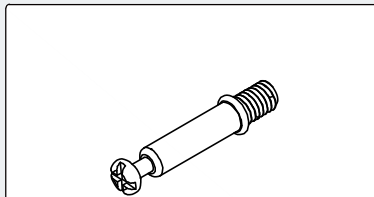
18 298*298*3mm **x2**

Parts List - Fittings

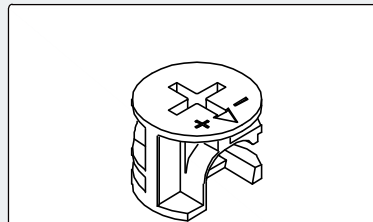


Please check you have all the fittings listed below.

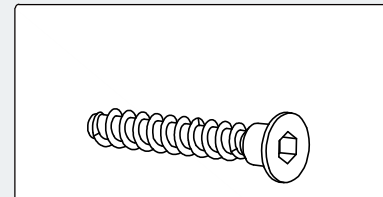
Note: The quantities below are the correct amount to complete the assembly. In some cases more fittings may be supplied are required.



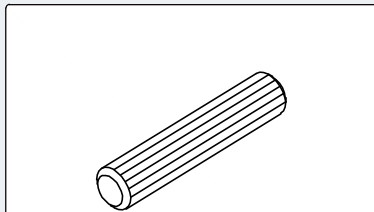
A $\Phi 6*28\text{mm}$ **x40+4**



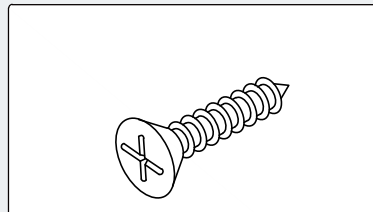
B $\Phi 15*9.5\text{mm}$ **x40+4**



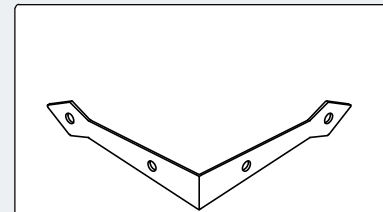
C D5X40mm **x8**



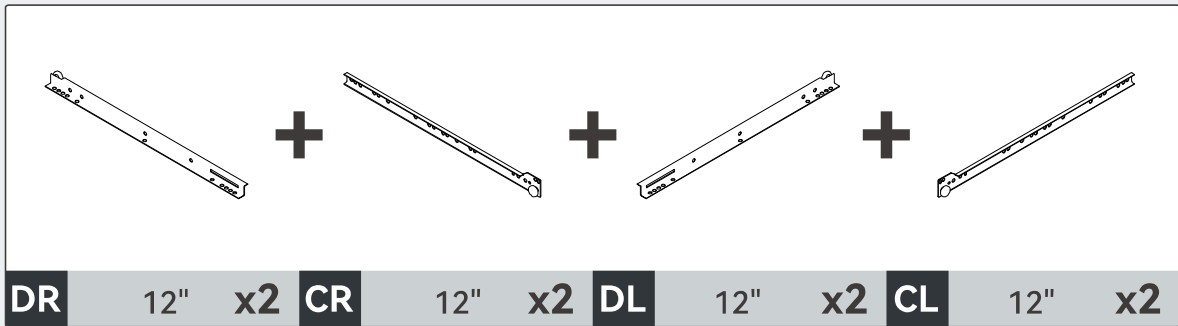
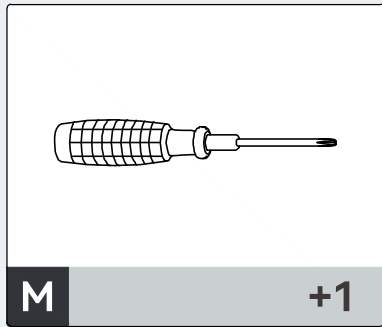
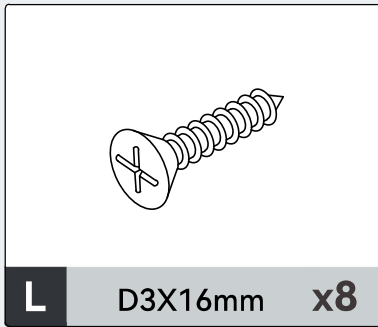
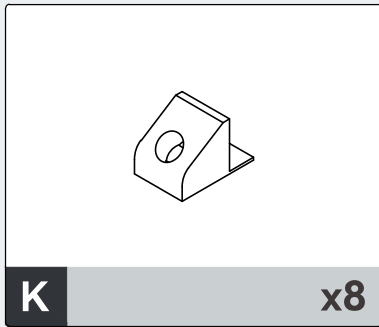
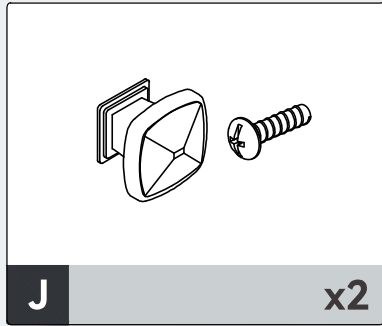
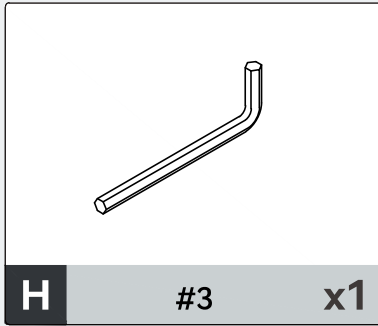
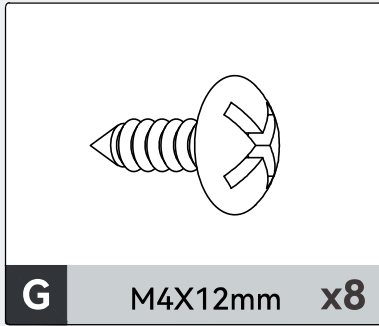
D $\emptyset 6*30\text{mm}$ **x22+2**

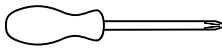
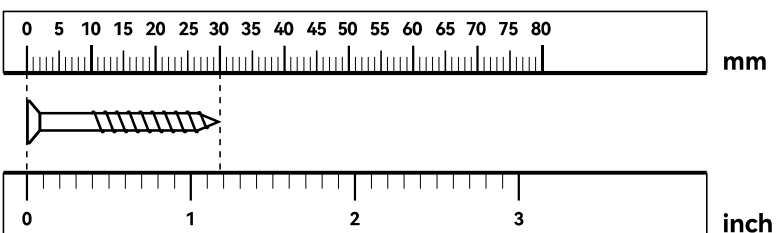


E D3.5X12mm **x16+1**



F **x2**



| | |
|--|--|
| <p>Tools required</p> |  <p>Phillips screwdriver (medium & large)</p> |
| <p>Ruler Use this ruler to help correctly identify the screws</p> |  <p>The screws length is measured from the head to the point (30mm screw shown).</p> |

Using Camlocks

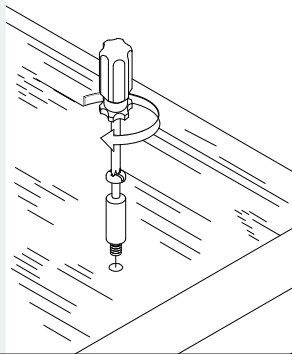


EN

Step 1

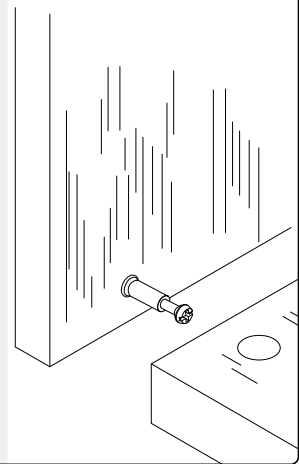
Connect the male camlock as directed in the assembly instructions using a screwdriver.

DO NOT OVER TIGHTEN.



Step 2

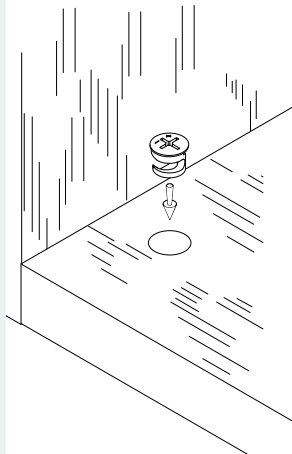
Push the male camlock into the entry hole.



Step 3

Insert the female camlock as shown in the instructions.

Note: ensure that the arrow on the top of the camlock points towards the entry hole for the male camlock.

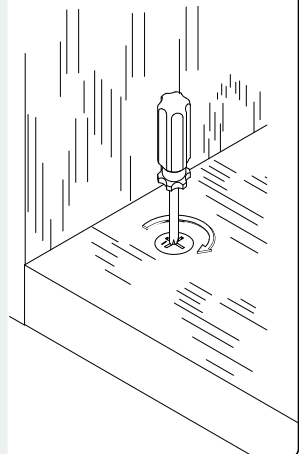


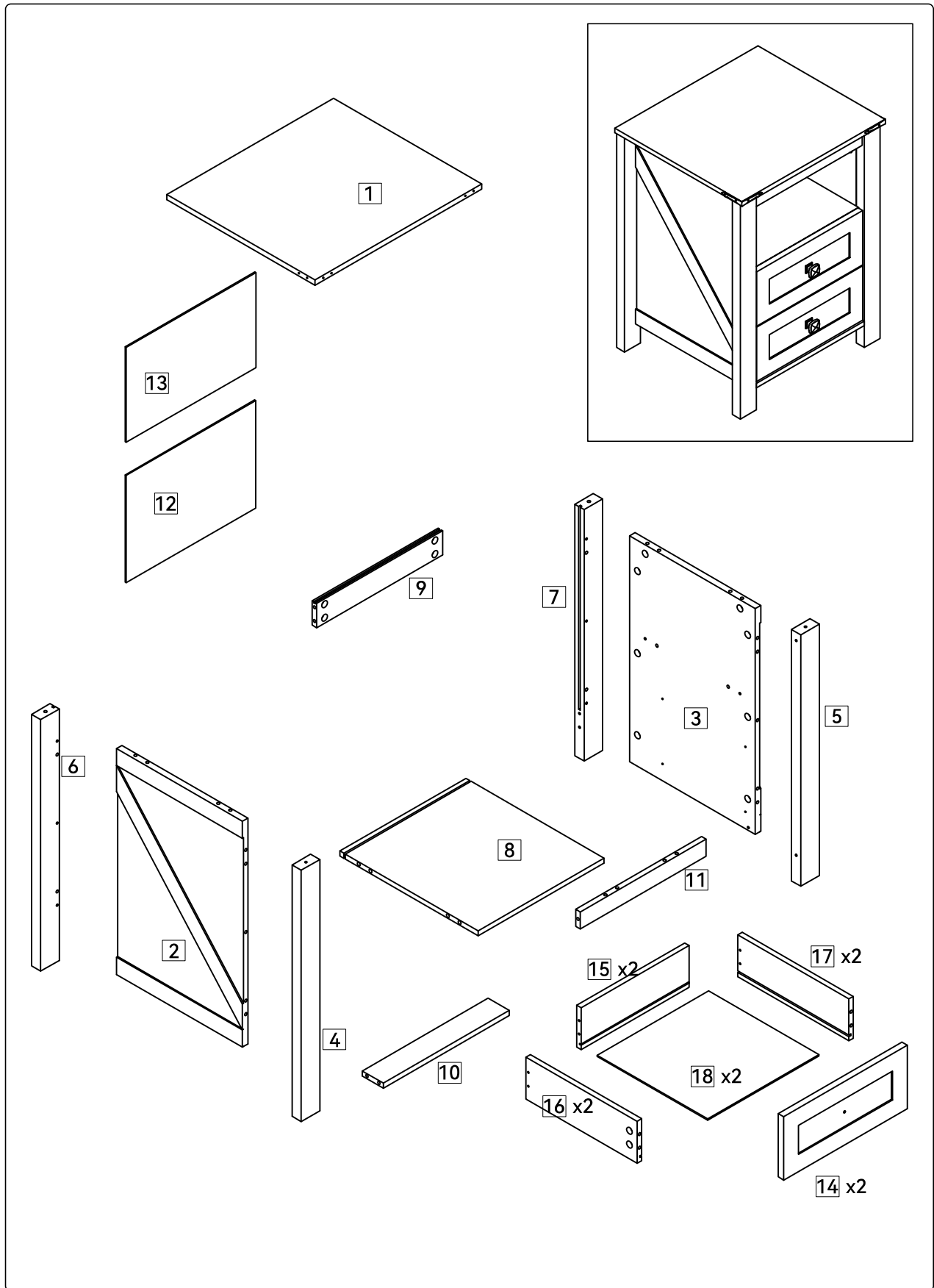
Step 4

Turn the female camlock clockwise with a screwdriver.

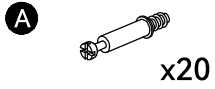
You should feel a click when the camlock is locked in place.

The joint is now secure.

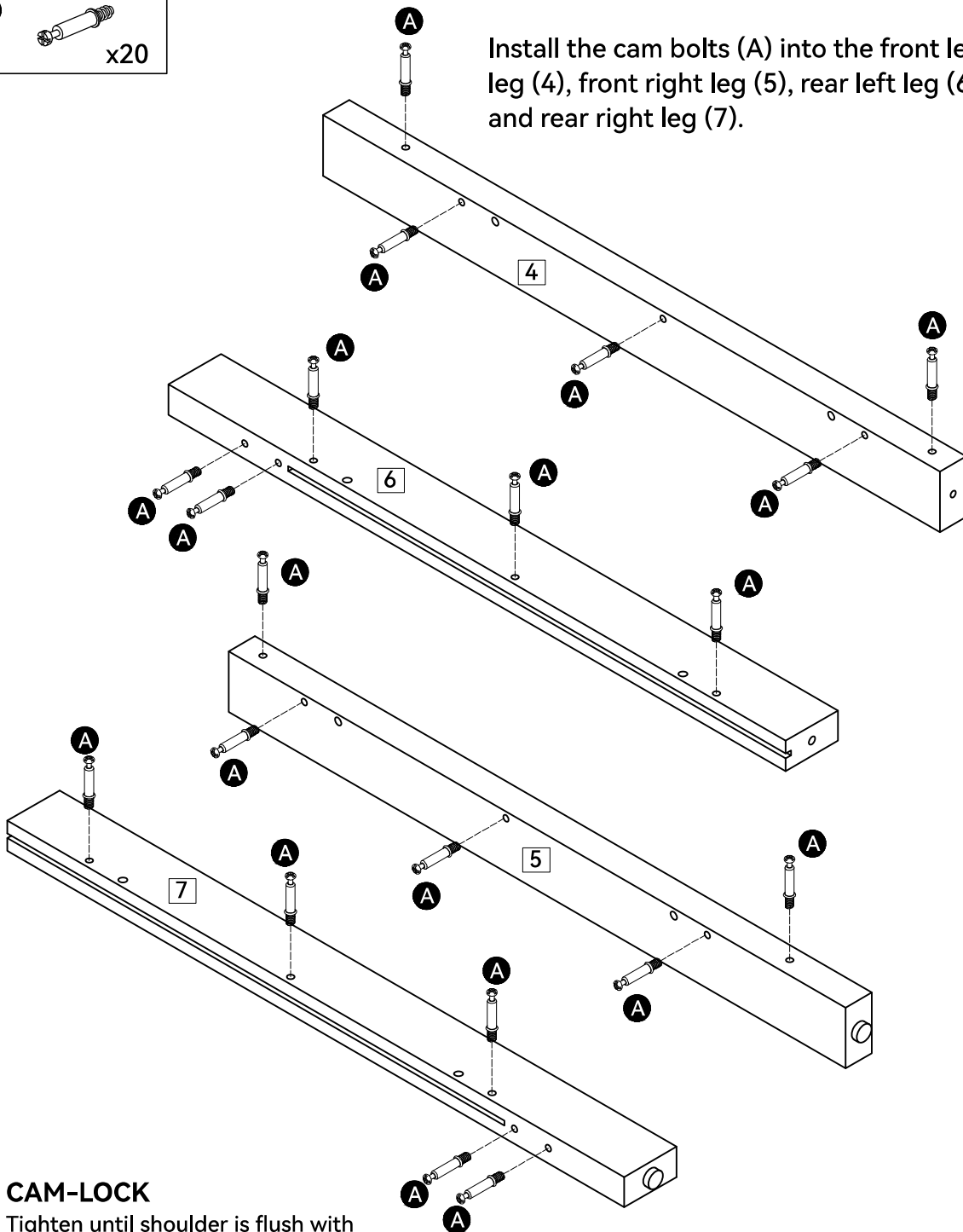




Step 1

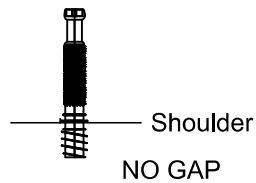
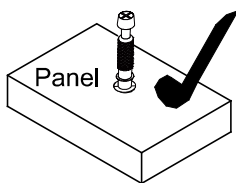
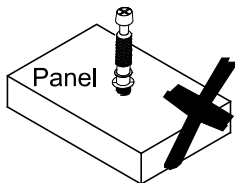


Install the cam bolts (A) into the front left leg (4), front right leg (5), rear left leg (6), and rear right leg (7).

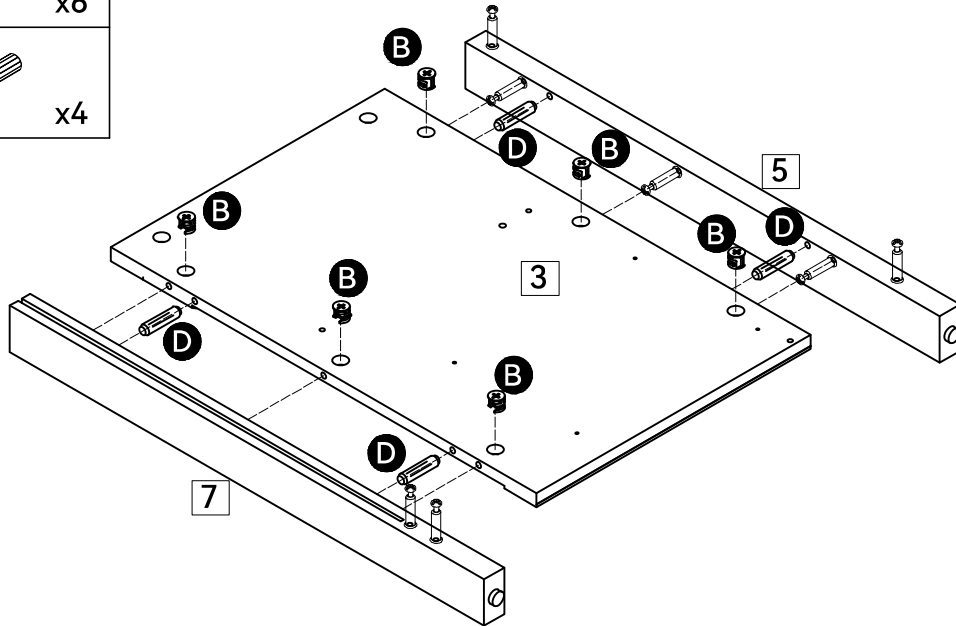
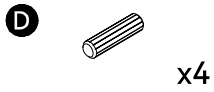


CAM-LOCK

Tighten until shoulder is flush with panel. Do not overtighten or undertighten (see example below)

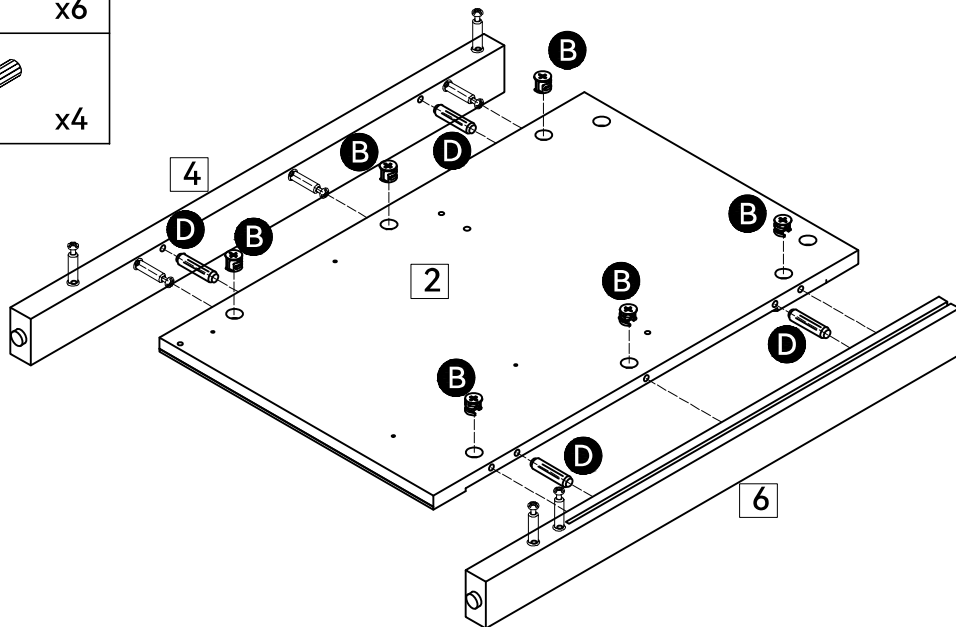
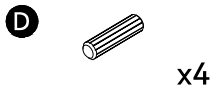


Step 2



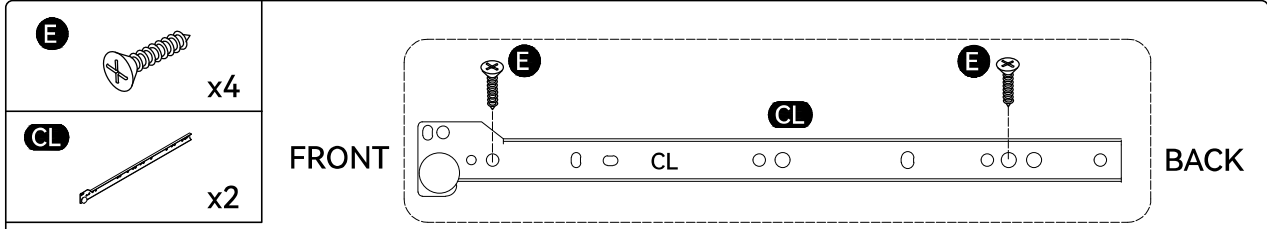
Attach the front right leg (5) and rear right leg (7) to the right side panel (3) using wooden dowels (D) and cam locks (B).

Step 3

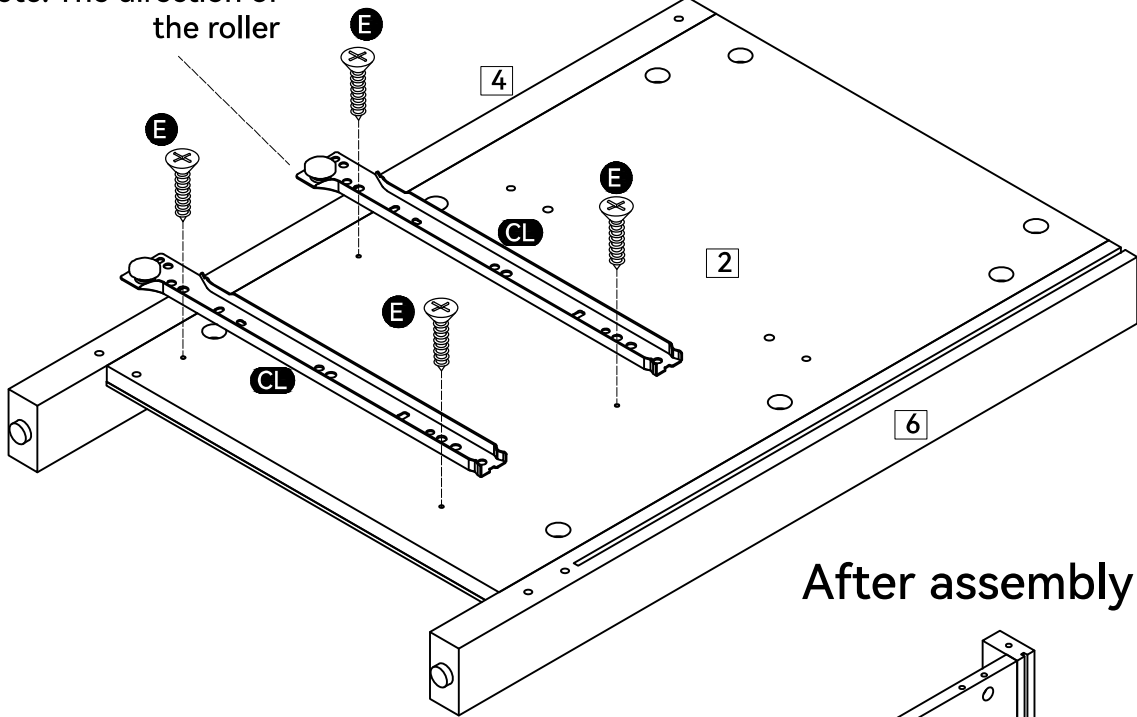


Attach the front left leg (4) and rear left leg (6) to the left side panel (2) using wooden dowels (D) and cam locks (B).

Step 4

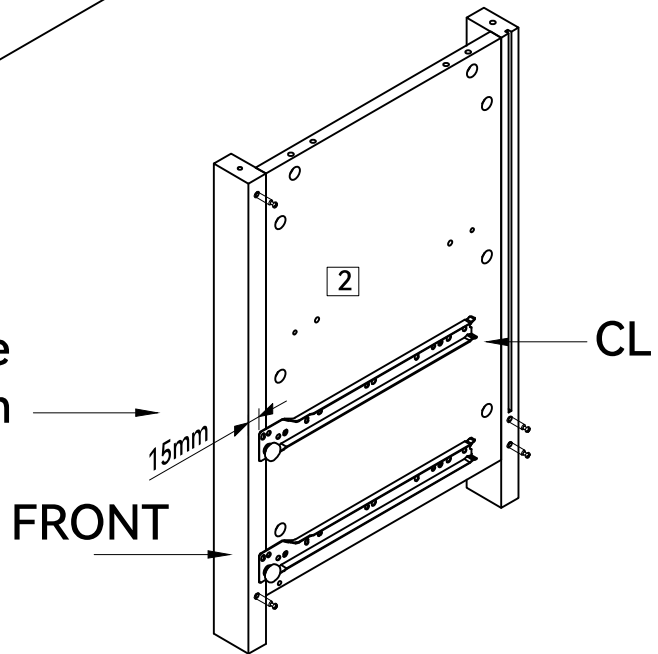


Note: The direction of the roller



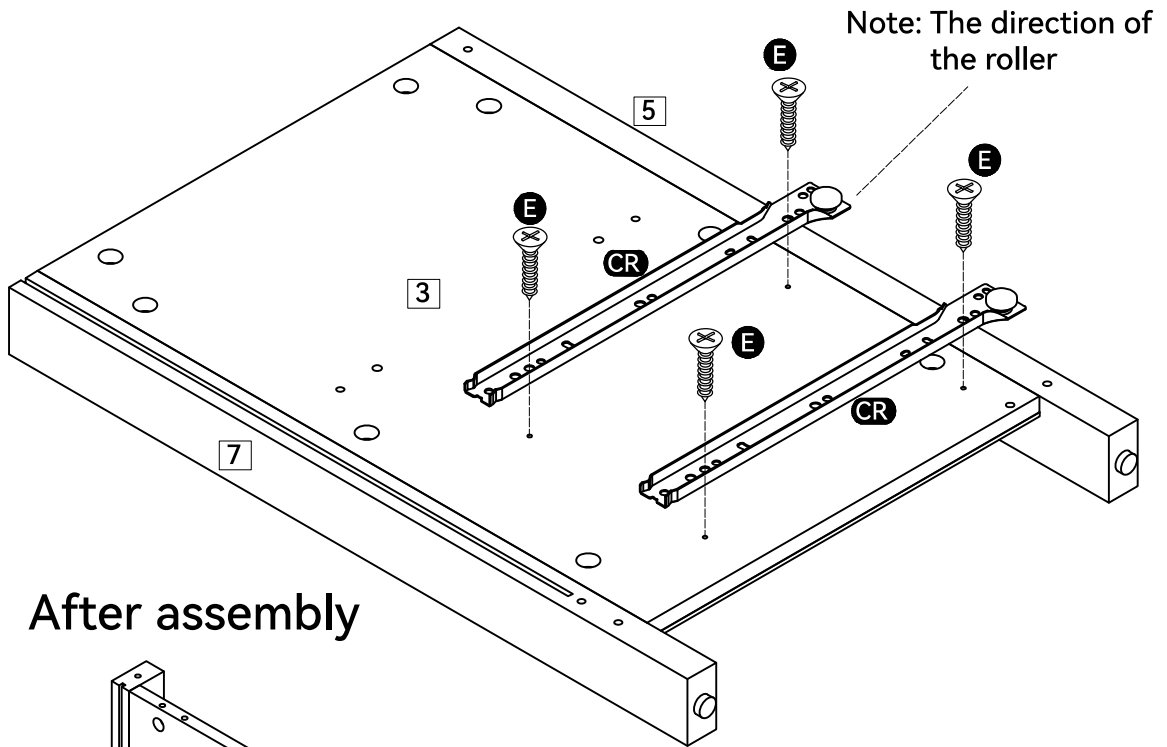
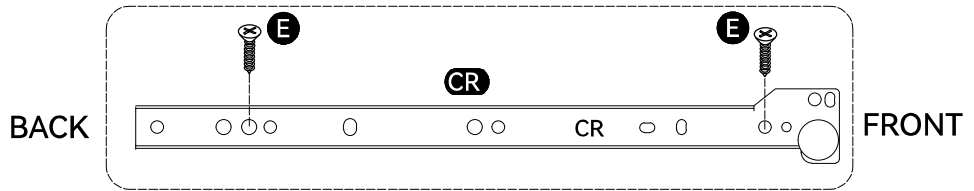
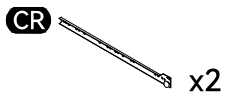
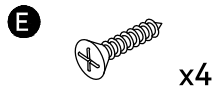
After assembly

Noted distance of 15mm

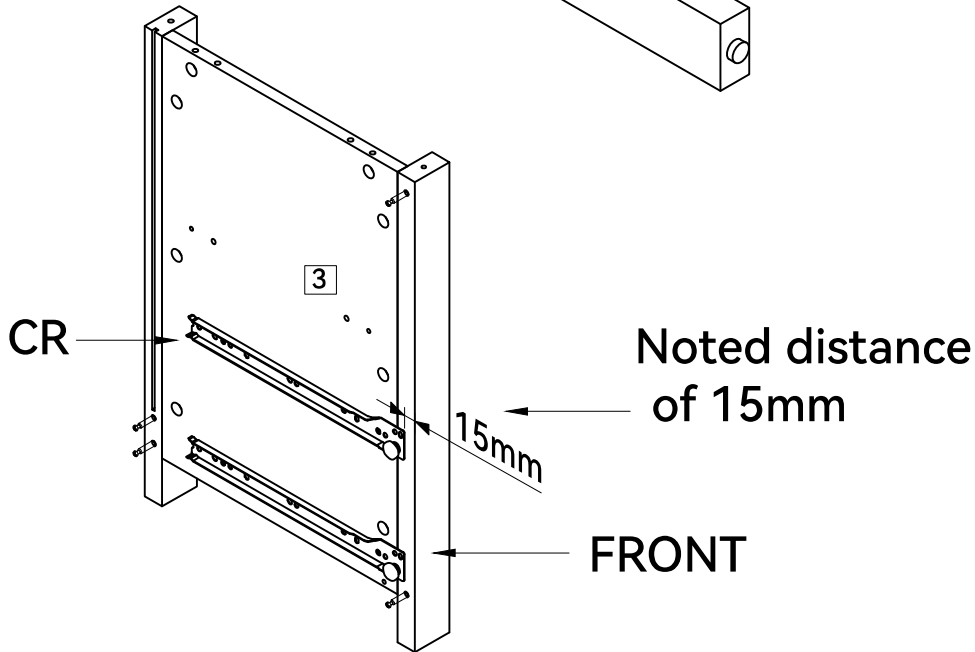


Secure the left drawer slide (CL) to the assembled left side panel (2) using self-tapping screws (E).

Step 5



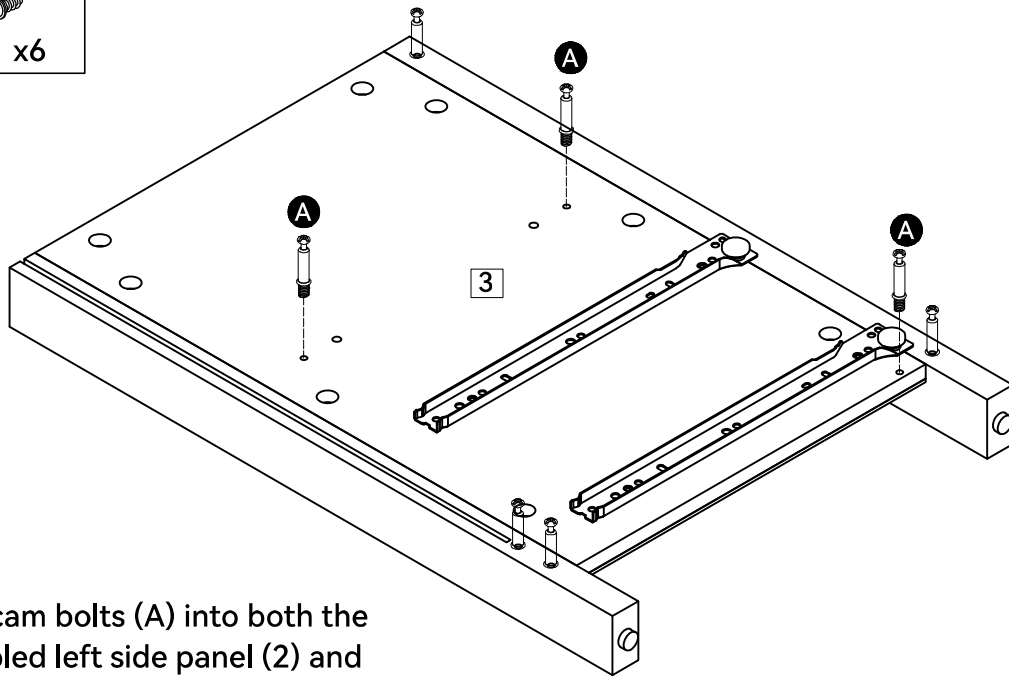
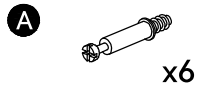
After assembly



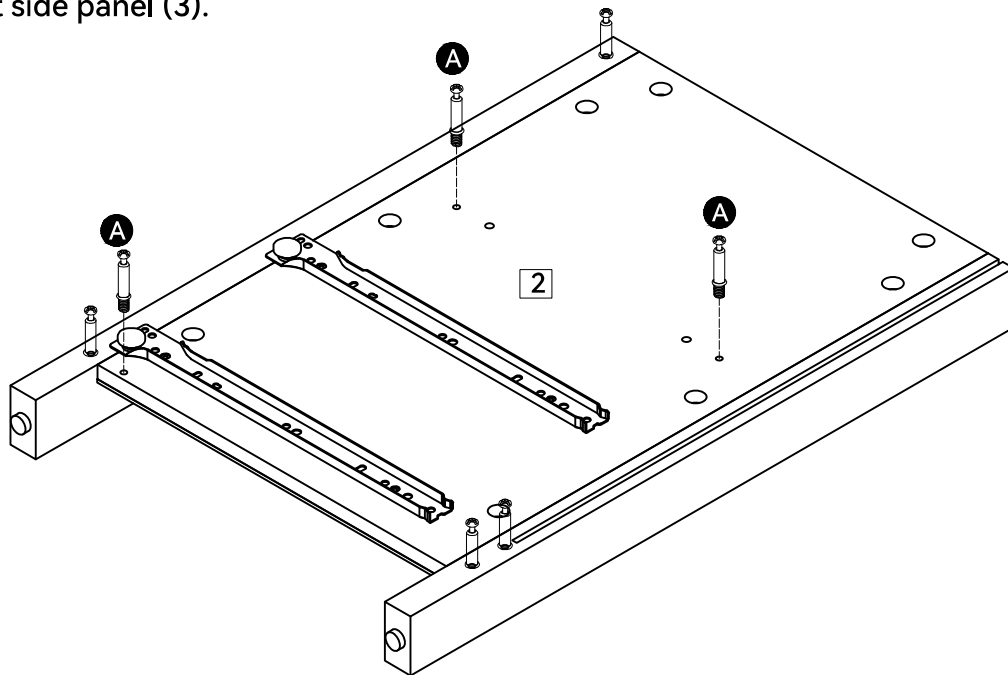
Secure the right drawer slide (CR) to the assembled right side panel (3) using self-tapping screws (E).

Step 6

EN

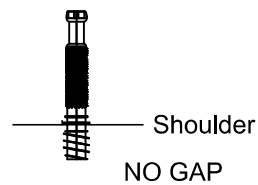
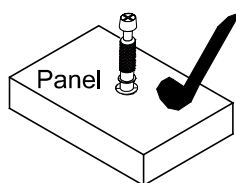
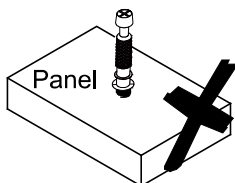


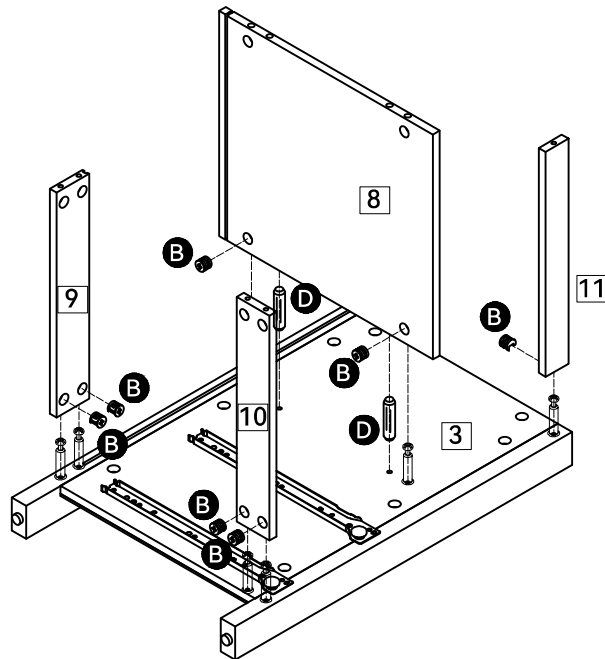
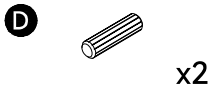
Install cam bolts (A) into both the assembled left side panel (2) and right side panel (3).



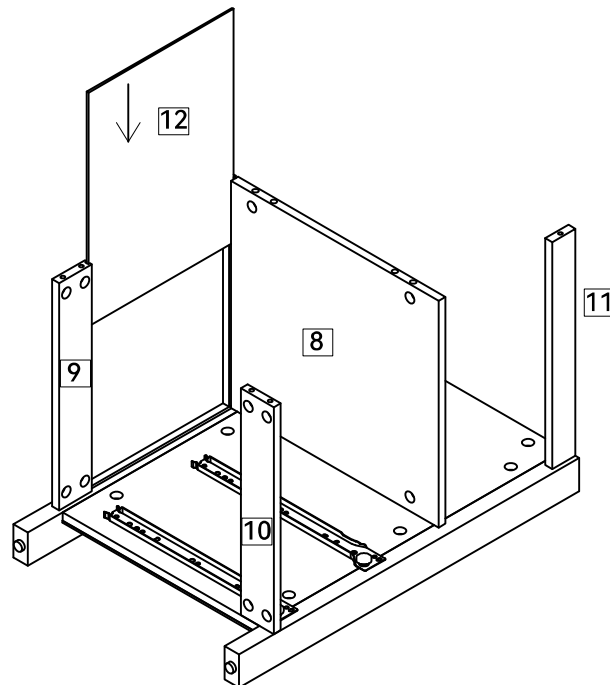
CAM-LOCK

Tighten until shoulder is flush with panel. Do not overtighten or undertighten (see example below)



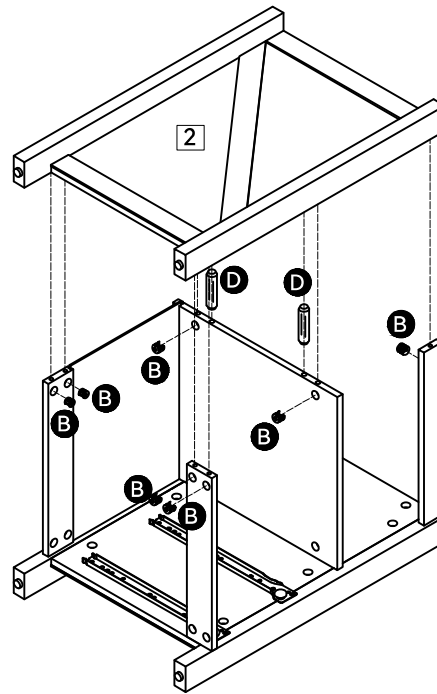
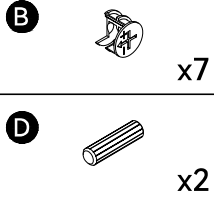
Step 7

Attach the upper front rail (11), lower front rail (10), lower rear rail (9), and fixed shelf (8) to the assembled right side panel (3) using wooden dowels (D) and cam locks (B).

Step 8

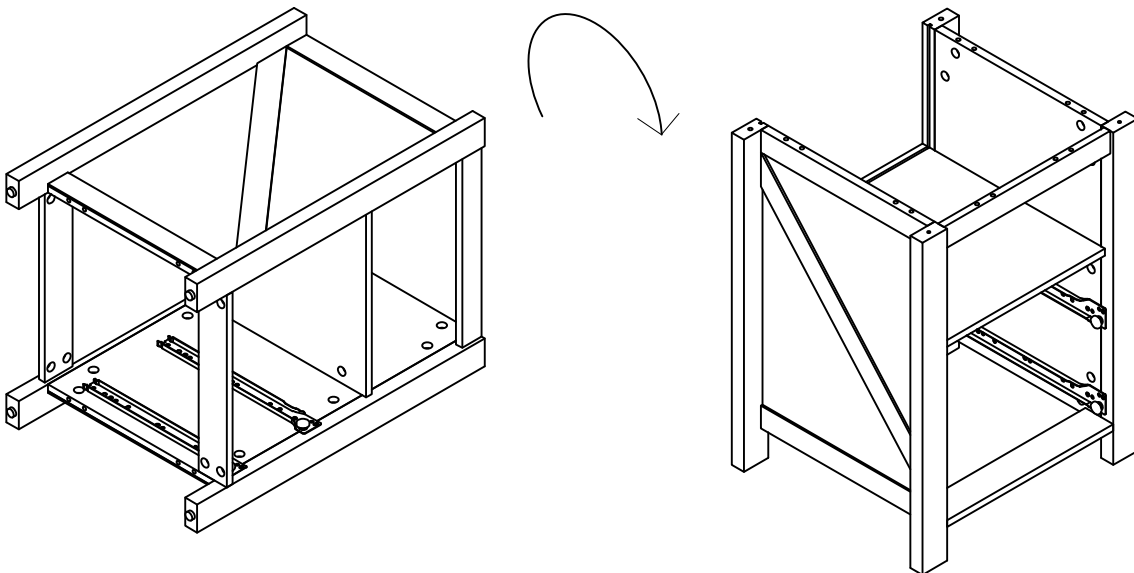
Insert the lower back panel (12) into the assembled cabinet.

Step 9



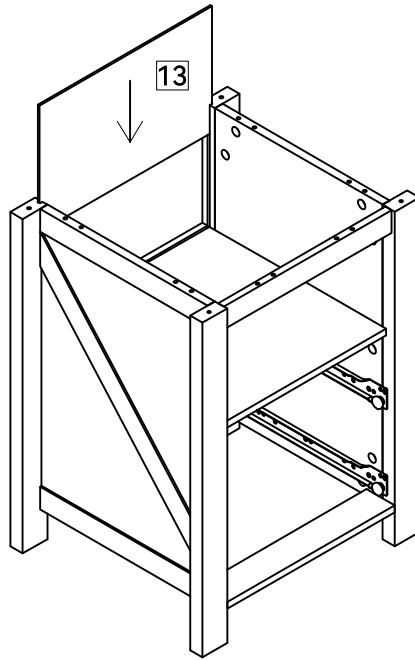
Attach the assembled left side panel (2) to the cabinet using wooden dowels (D) and cam locks (B).

Step 10



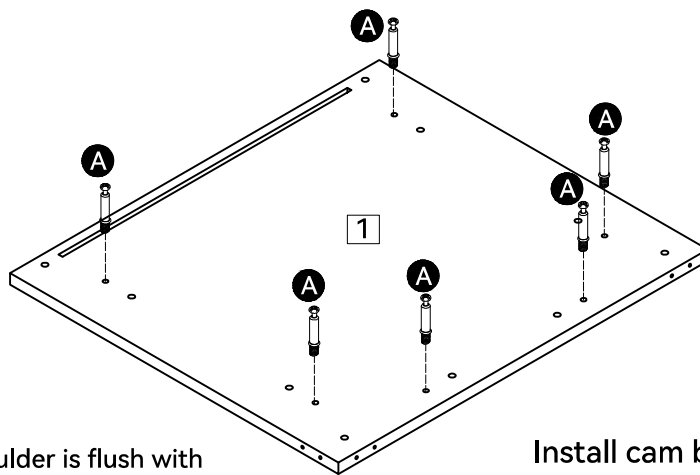
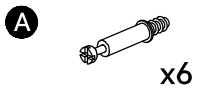
Carefully turn the assembled cabinet upright.

Step 11



Insert the upper back panel (13) into the cabinet.

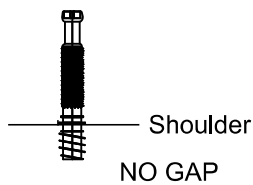
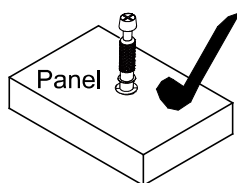
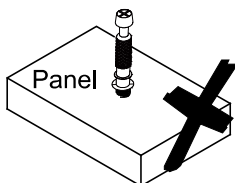
Step 12



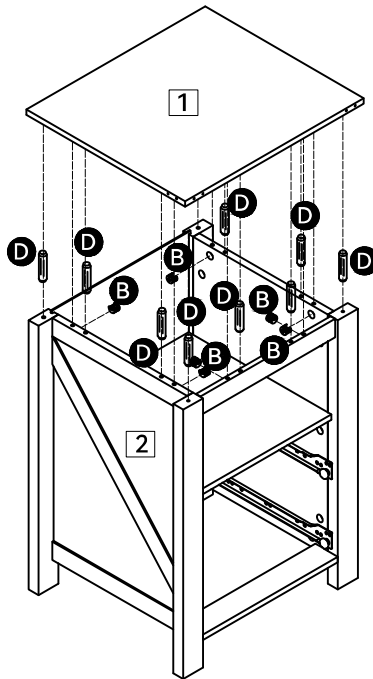
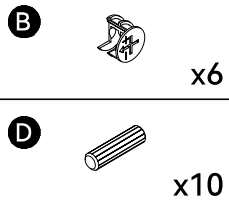
CAM-LOCK

Tighten until shoulder is flush with panel. Do not overtighten or undertighten (see example below)

Install cam bolts (A) into the drawer front panel (1).

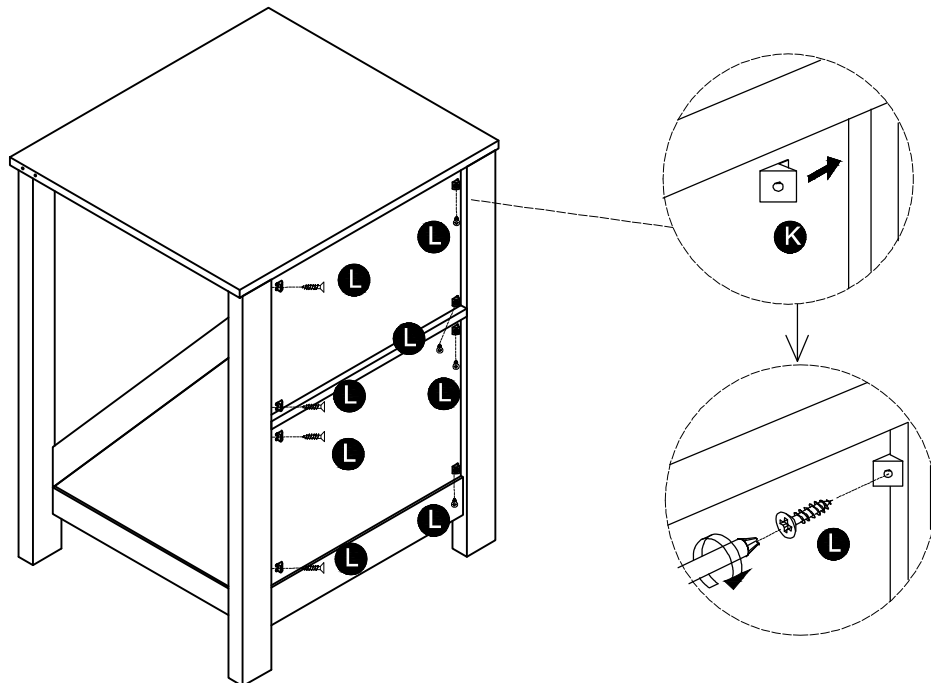
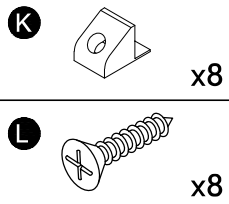


Step 13



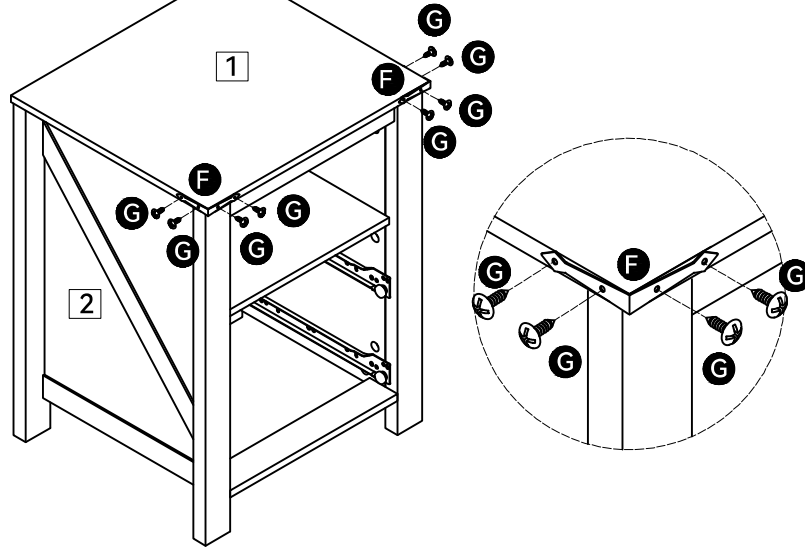
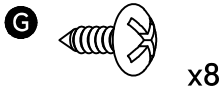
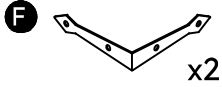
Attach the drawer front panel (1) to the cabinet using wooden dowels (D) and cam locks (B).

Step 14



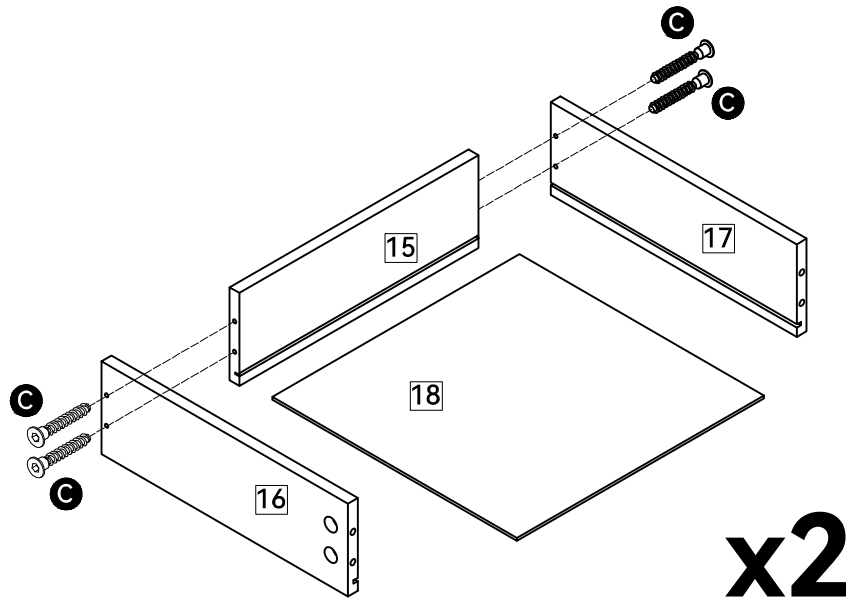
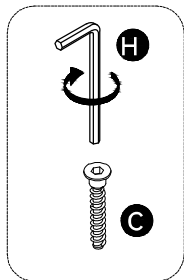
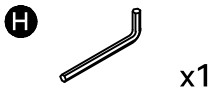
Secure the back panels at the corners using back panel clips (K) and self-tapping screws (L).

Step 15



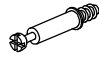
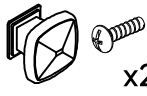
Attach the decorative metal plate (F) to the front panel using round head screws (G).

Step 16

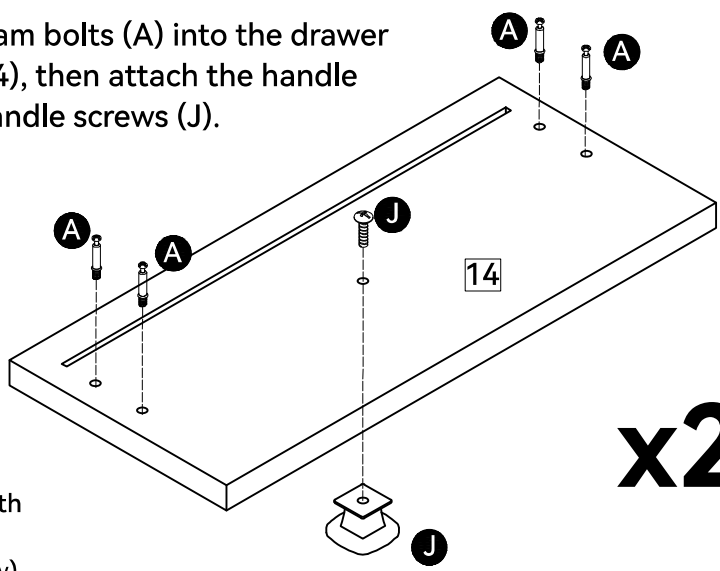


Assemble the drawer by connecting the left drawer side (16), right drawer side (17), and drawer back panel (15) using screws (C) and wrench (H). Insert the drawer bottom panel (18) into the grooves.

Step 17

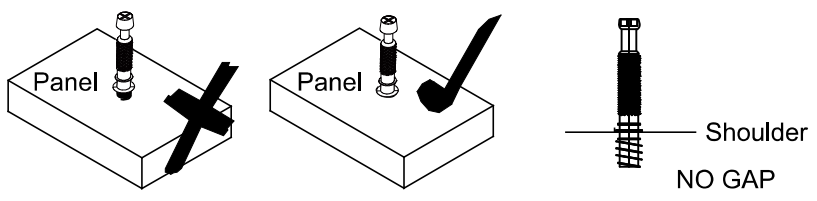
- A**  x8
- J**  x2

Install cam bolts (A) into the drawer front (14), then attach the handle using handle screws (J).




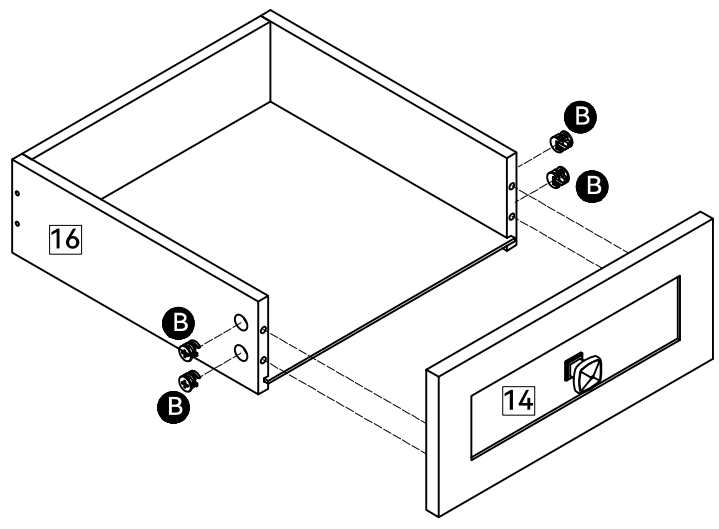
CAM-LOCK

Tighten until shoulder is flush with panel. Do not overtighten or undertighten (see example below)



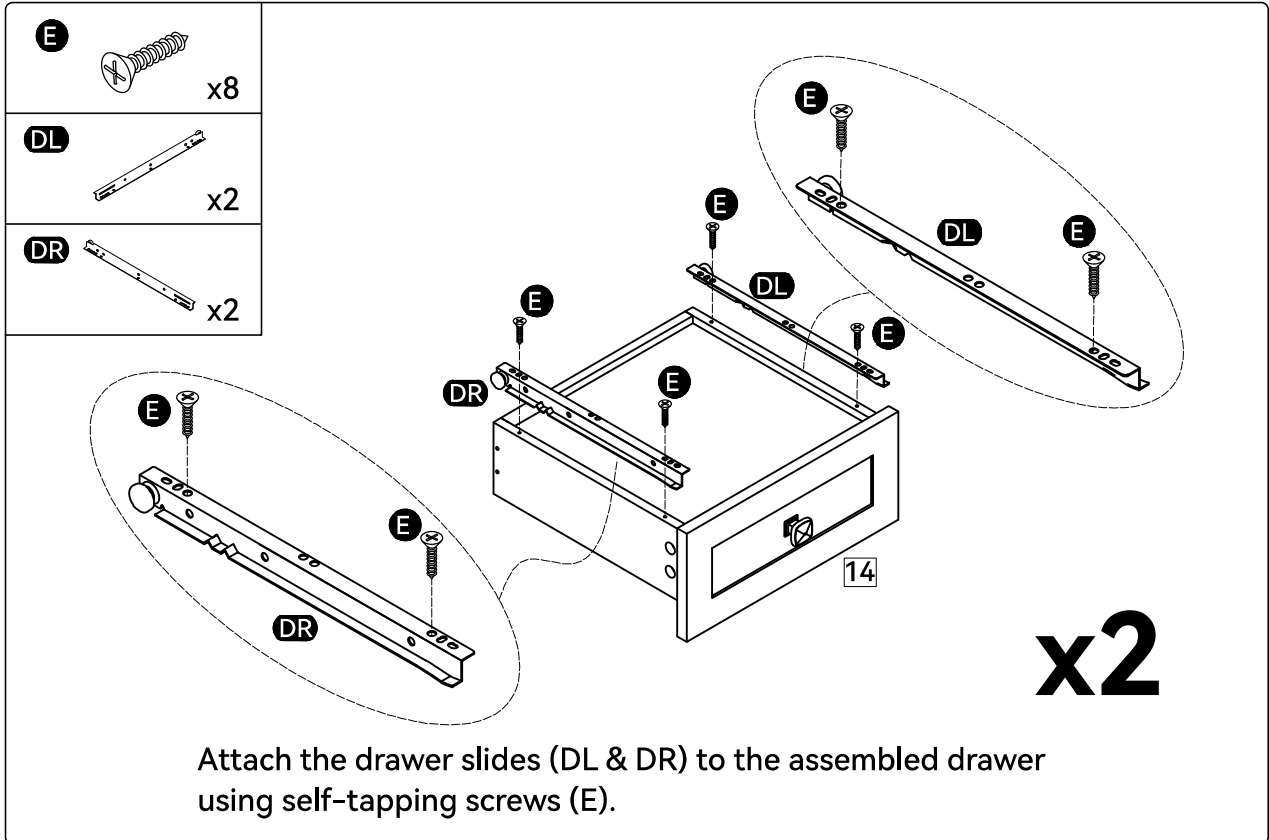
Step 18

- B**  x8

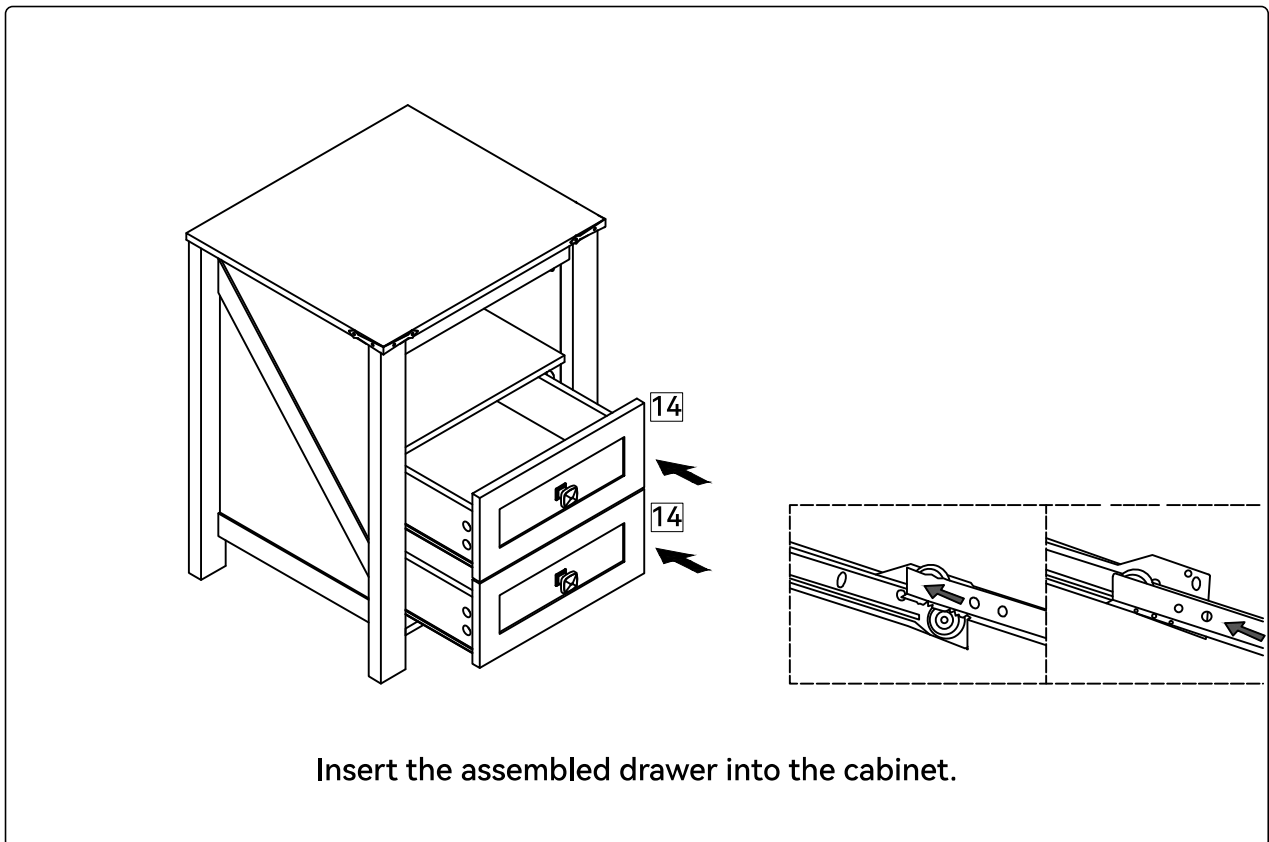


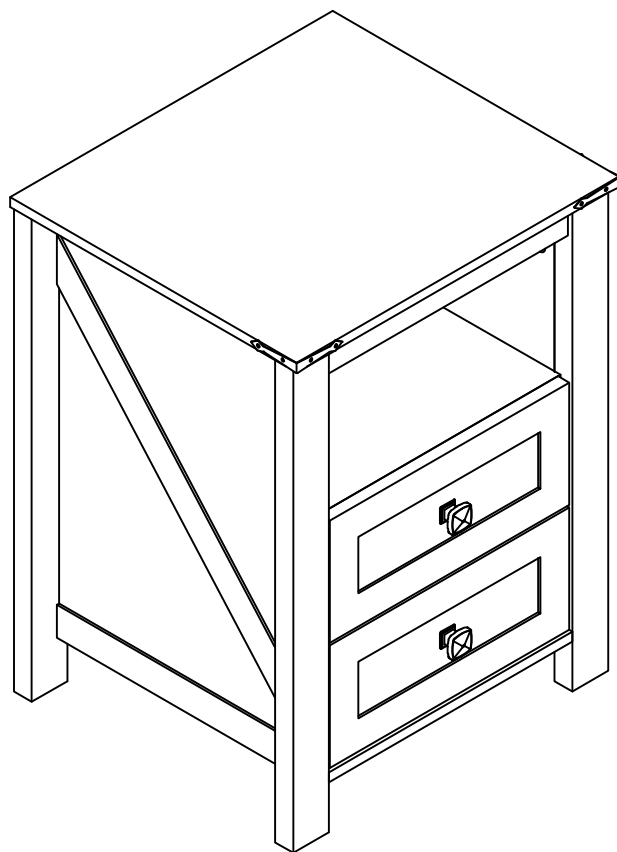
Attach the drawer front (14) to the assembled drawer using cam locks (B).

Step 19



Step 20





Installation Complete.