

Instruction Sheet

SAVE ALL PACKAGING MATERIALS UNTIL PRODUCT IS FULLY ASSEMBLED. HARDWARE AND SMALL PIECES MAY NOT BE SEEN AND BE ACCIDENTALLY DISCARDED WITH PACKAGING MATERIALS.

FIGURE 7

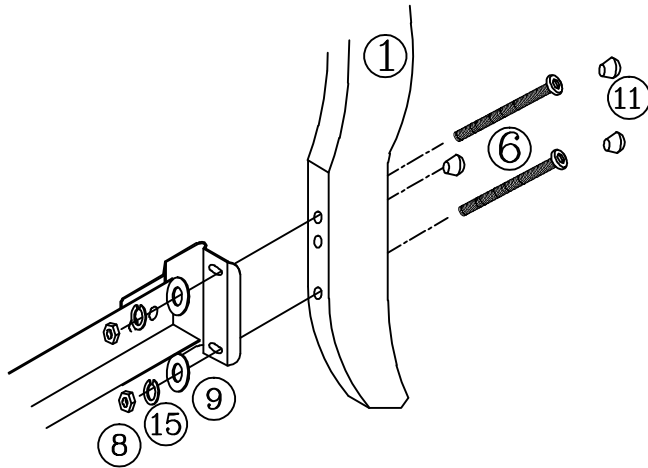
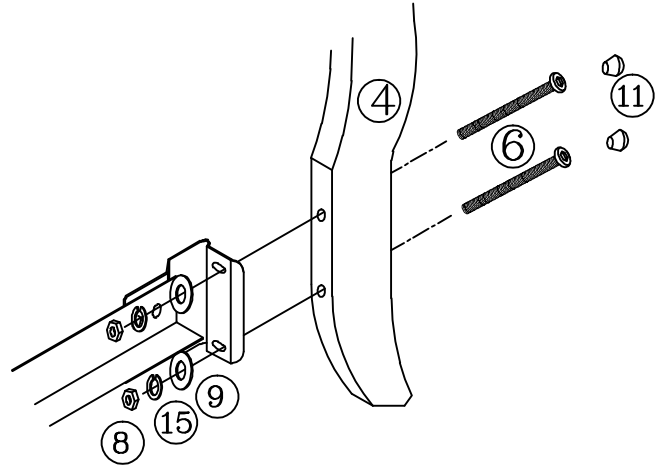


FIGURE 8



NOTE: DO NOT REMOVE PLASTIC STRAPS FROM FOOTBOARD AND HEADBOARD GRILLS UNTIL ASSEMBLY IS FINISHED.
SEE FIGURES 5 & 6

Step 1

- Insert wood dowels (10) into unthreaded bottom hole in top wood rail. (See Figure 1)
- Align small holes in post (1) with hole and wood dowel end in top wood rail. (See Figure 1)
- Secure connection with screw (7). HAND-TIGHTEN, Do not tighten screw all the way. (See Figure 1)
- Secure bottom of grill (2) with screws (7). HAND-TIGHTEN, Do not tighten screw all the way. (See Figure 1)
- Assemble headboard rail (3) by aligning end holes with headboard post (1) small holes.
- Secure connections with screws (7). HAND-TIGHTEN, Do not tighten screw all the way. (See Figure 1)
- Repeat same step for the assembly of the other headboard post.
- Assemble footboard using same step. (See Figures 2 & 4)

Step 2

- Place headboard and frame in desired location in room.
- Place 2 screws (6) through holes located in post (1). (See Figure 7)
- Align bed frame bracket over screws.
- Place a washer (9), then lock washer (15) second and finally a nut (8) on each screw. Hand-tighten, DO NOT TIGHTEN screws all the way.
- Repeat on other side of headboard.
- Tighten all screws securely using the Allen wrench and open wrench.

Step 3

- Position footboard panel and align holes in the post (4) with holes in frame bracket. (See Figure 8)
- Place 2 screws (6) through holes located in post (4). (See Figure 8)
- Align bed frame bracket over screws.
- Place a washer (9), then lock washer (15) second and finally a nut (8) on each screw. Hand-tighten, DO NOT TIGHTEN screws all the way.
- Repeat on other side of footboard.
- Tighten all screws securely using the Allen wrench and Open wrench.

Step 4

- Push in wood caps (12) into small top holes in posts. (See Figures 1 & 2)
- Cover each screw hole with wood plug (11). (See Figure 1, 2, 7, & 8)