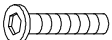

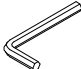



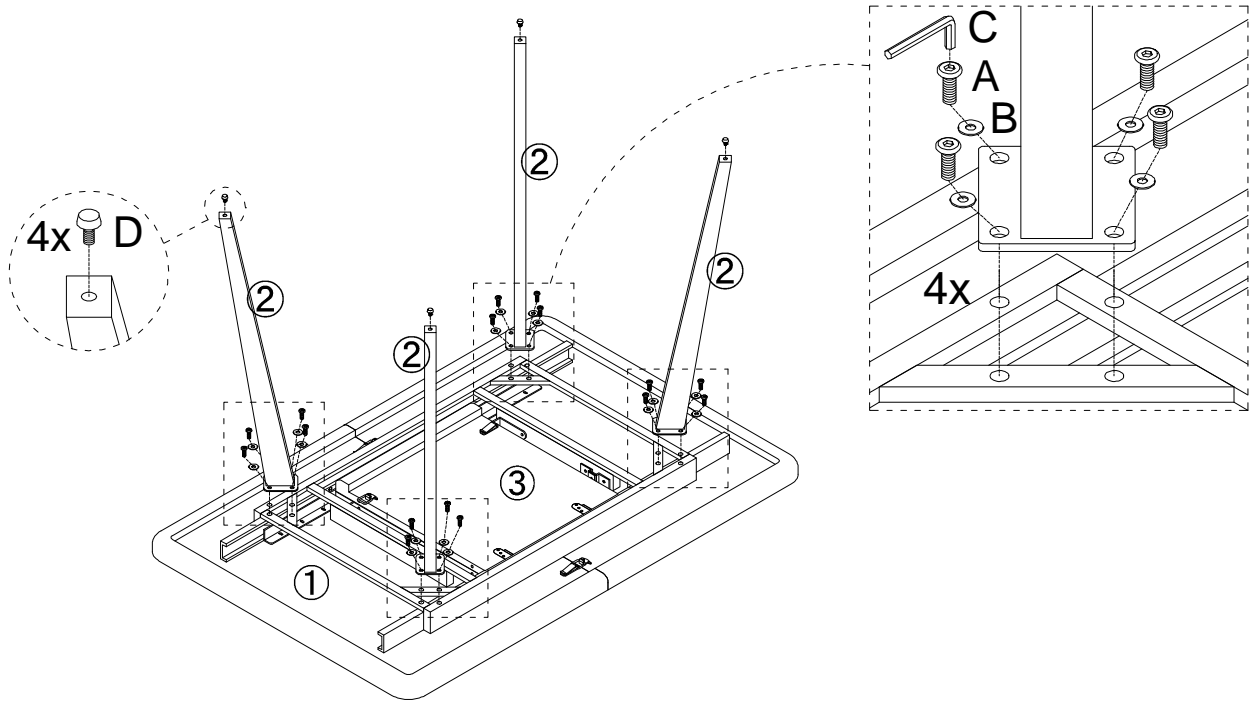
A	16PCS
	
M8*16mm	

B	16PCS
	
M8*17*1.5mm	

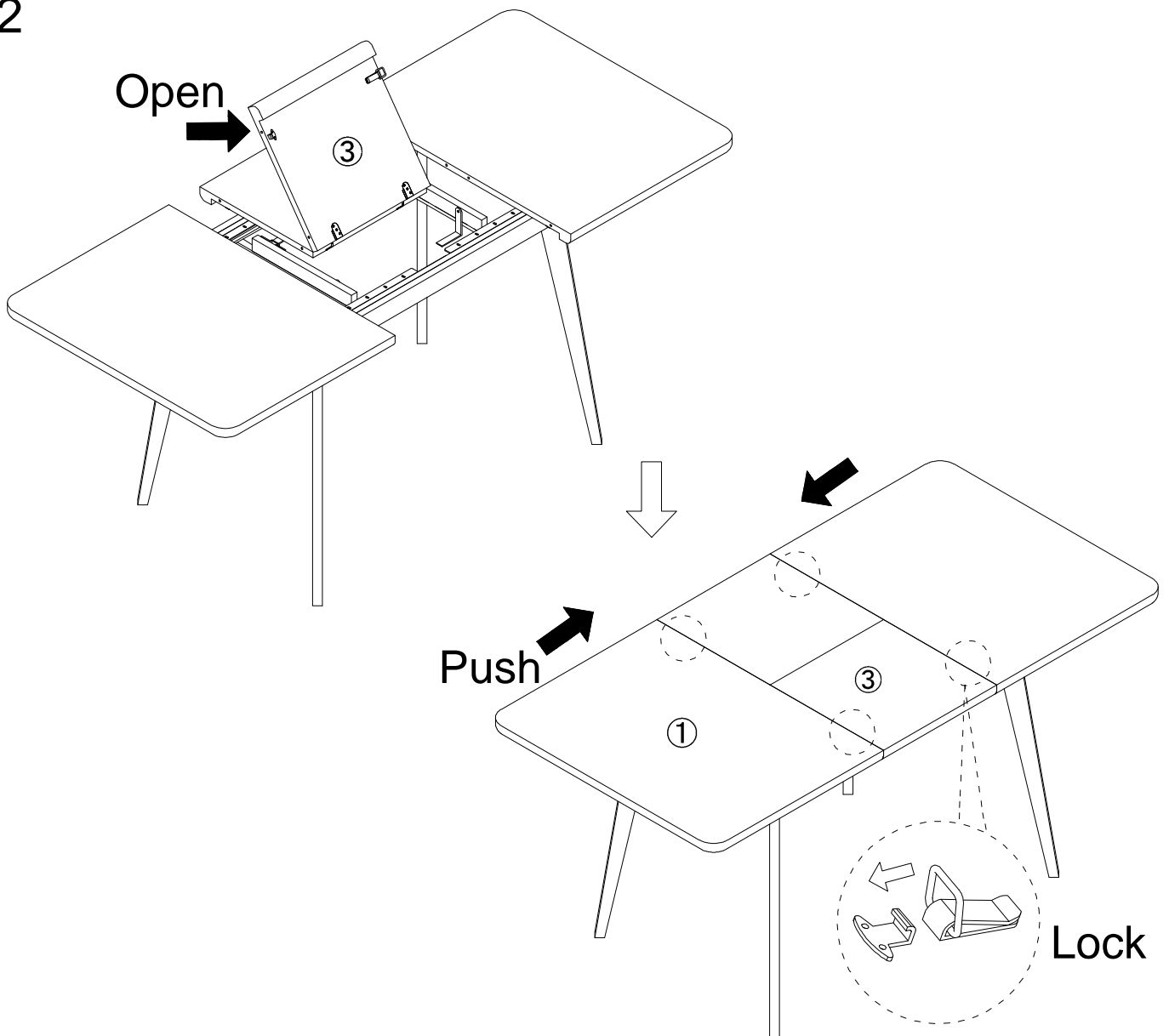
C	1PC
	

D	4PCS
	
φ20*6mm	

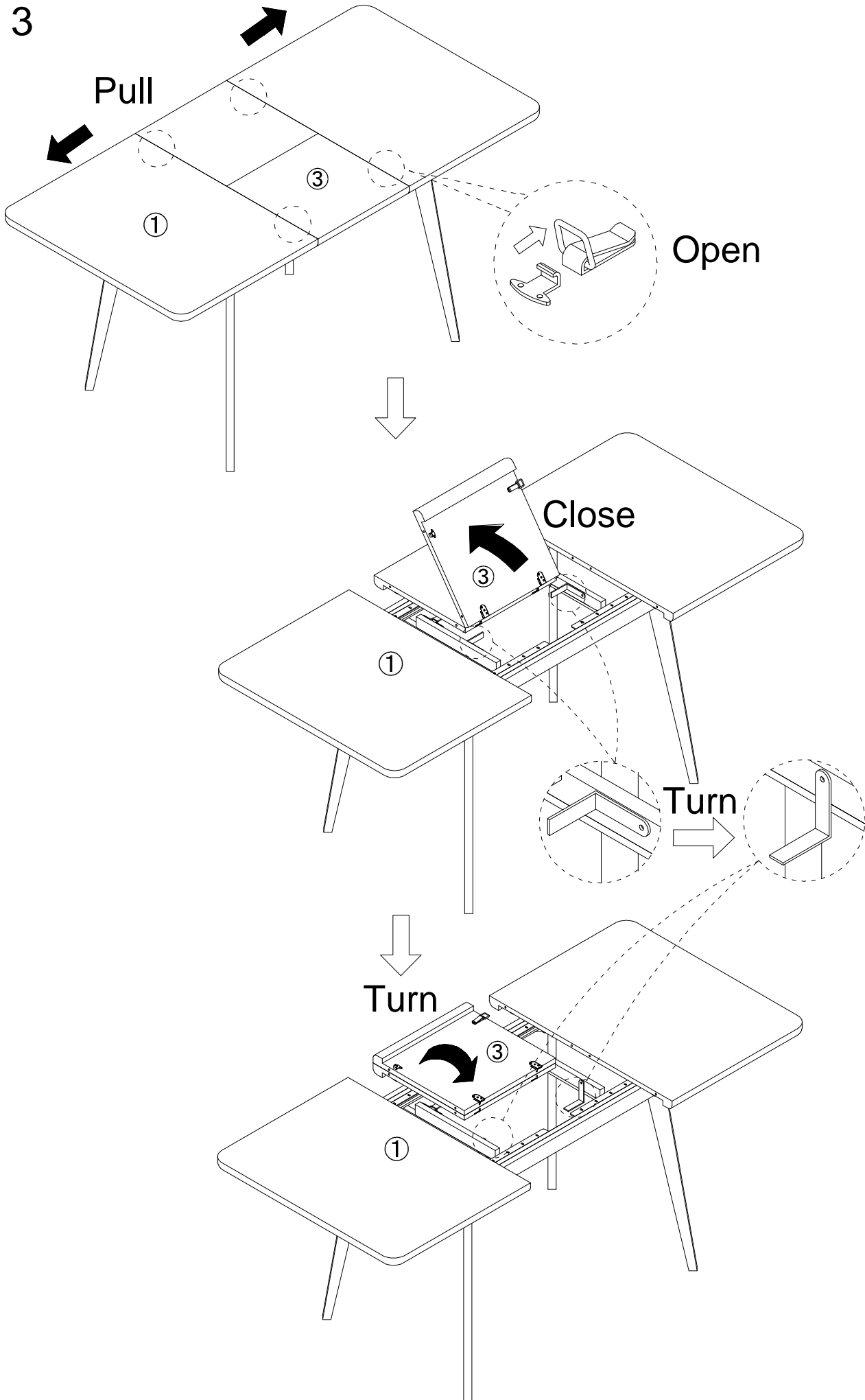
1



2



3



4

