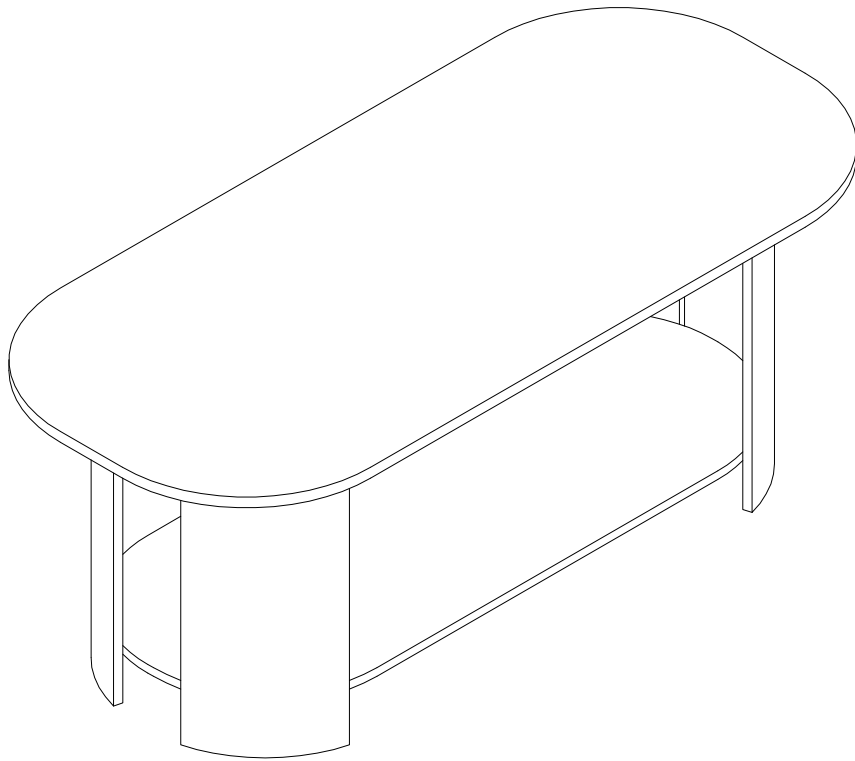
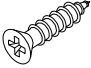

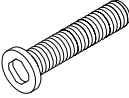
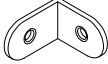
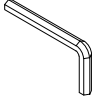




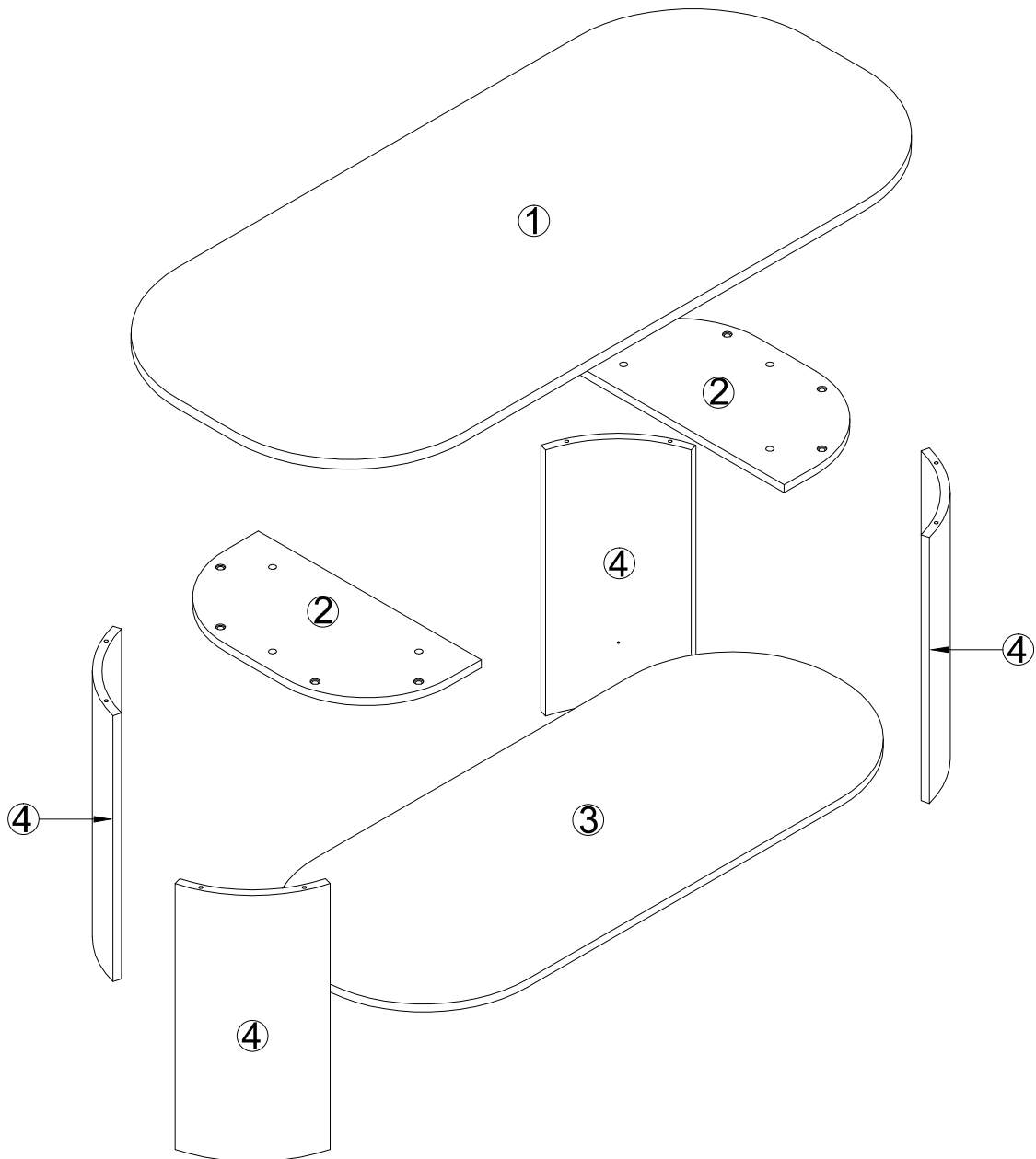
Assembly Instructions



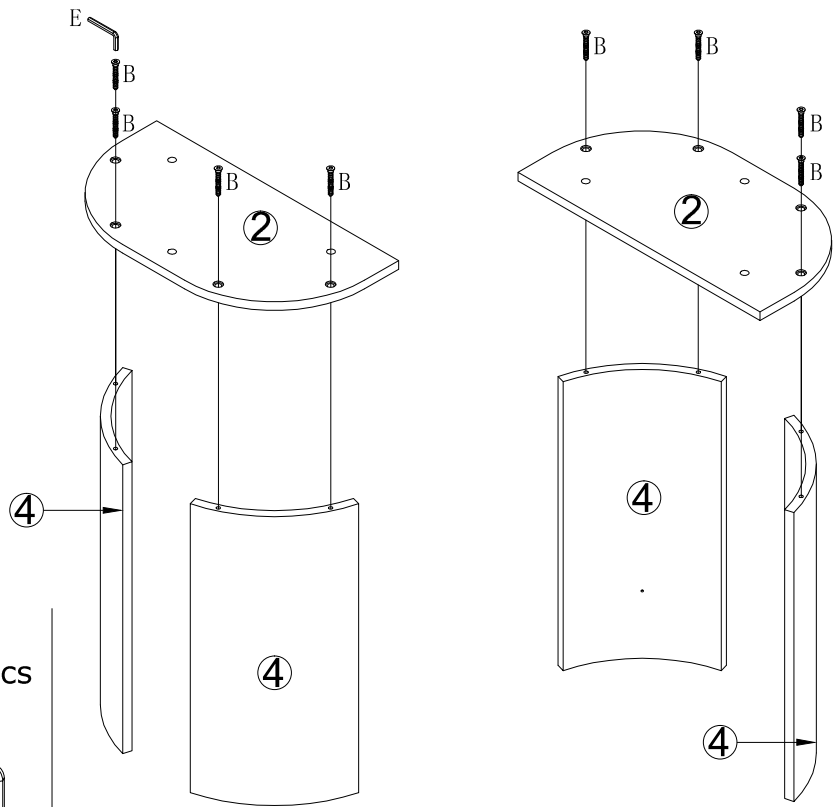
Part List

<p>No. A Quantity:8 Pcs Screw M3.5*12mm</p> 	<p>No. B Quantity:8 Pcs Screw M6*40mm</p> 	<p>No. C Quantity:6 Pcs Screw M8*20mm</p> 	<p>No. D Quantity:4 Pcs corner code 25*25*1.6</p> 
<p>No. E Quantity:1 Pcs Allen Key 4#</p> 	<p>No. F Quantity:1 Pcs Allen Key 5#</p> 	<p>No. G Quantity:8 Pcs Foot Pad Ø15</p> 	

Product structure



STEP 1



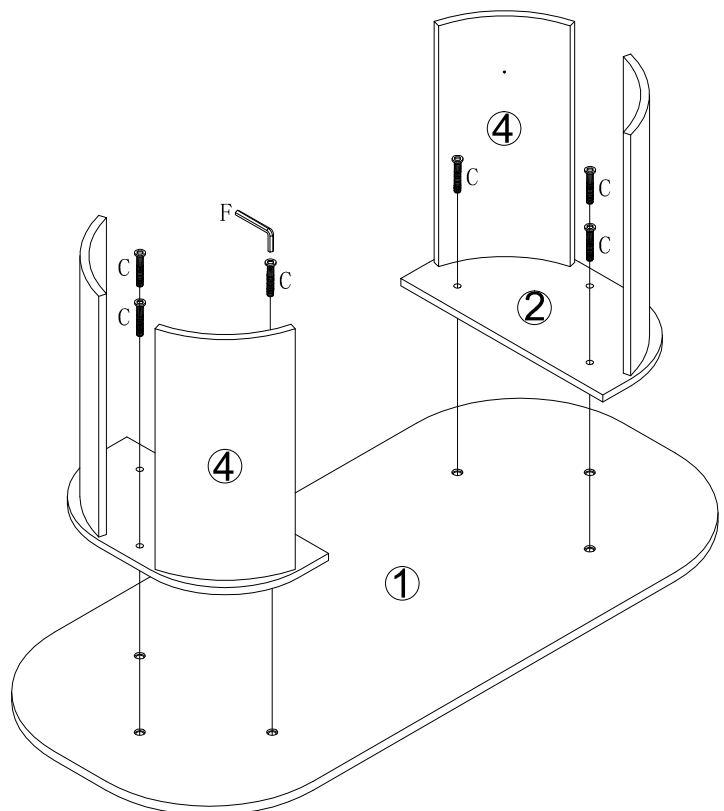
No. B
Quantity: 8 Pcs
M6*40mm



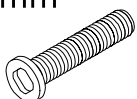
No. E
Quantity: 1 Pcs
4#



STEP 2



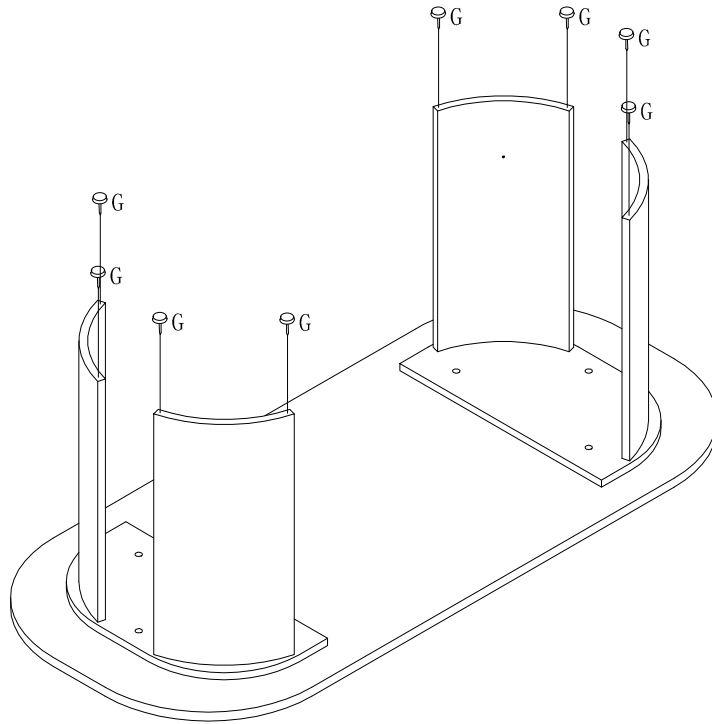
No. C
Quantity: 6 Pcs
M8*20mm



No. F
Quantity: 1 Pcs
5#



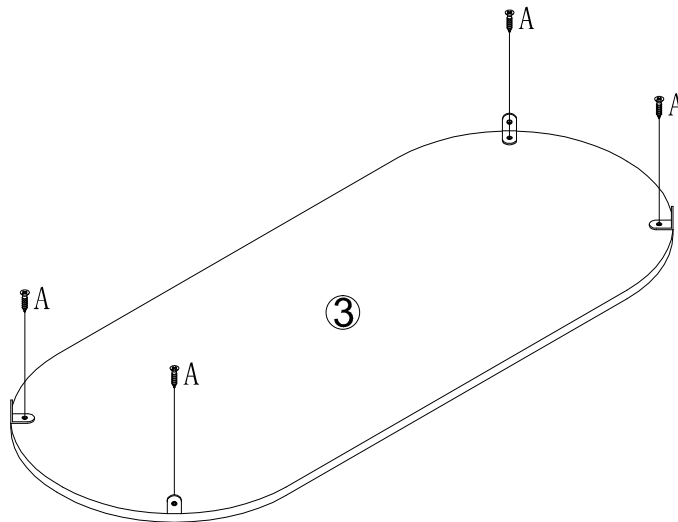
STEP 3



No. G
Quantity: 8 Pcs
Ø15



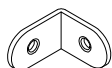
STEP 4



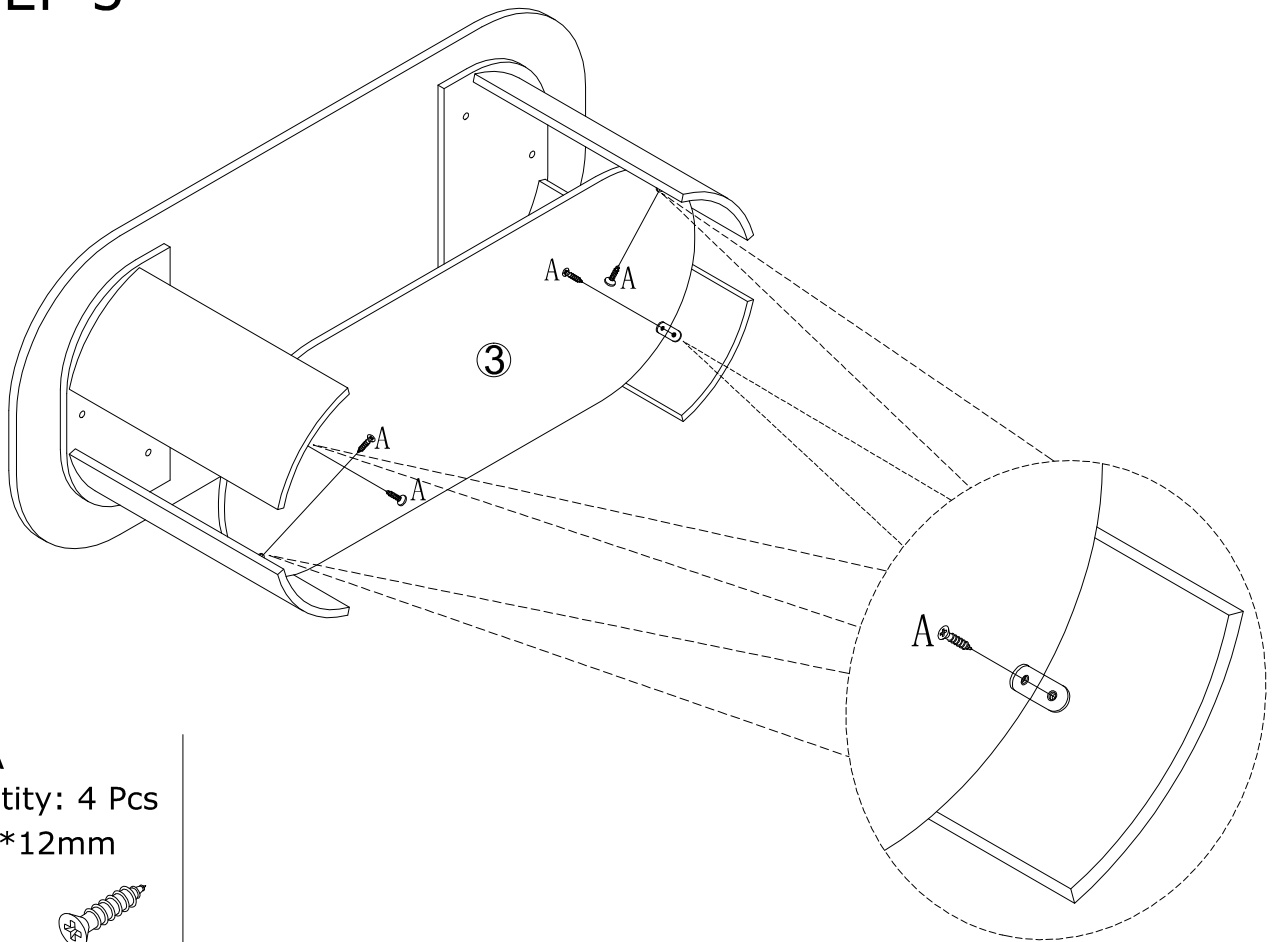
No. A
Quantity: 4 Pcs
M3.5*12mm



No. D
Quantity: 4 Pcs
25*25*1.6



STEP 5



No. A
Quantity: 4 Pcs
M3.5*12mm



STEP 6

