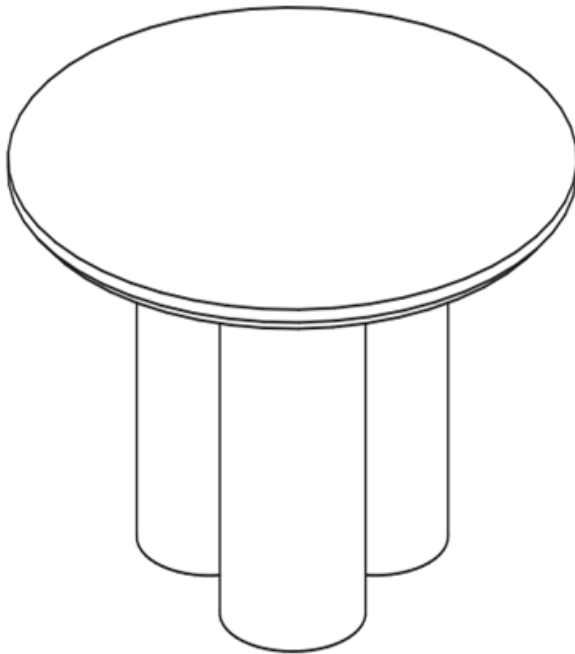


Side Table

Assembly Guide



IMPORTANT: please read these instructions fully before starting assembly



**SAFETY AND
CARE ADVICE**



NO POWER TOOLS

- Check you have all the components and tools listed
- Remove all fittings from their bags and separate into groups
- We do not recommend use of power tools - this could damage the unit. Only use hand screwdrivers and Allen keys
- Keep children and animals away from the work area, small parts could cause choking if swallowed
- Make sure you have enough space to lay out the parts before starting
- Assemble the item as close to its final position (same room) as possible
- Do not over tighten the nuts to avoid damage to the threads
- Only clean using a damp cloth and mild detergent. Do not use bleach or abrasive cleaners
- Do not allow children to climb or play on this product
- From time to time, check there are no loose screws in this unit
- This product should not be discarded with household waste. Take to your local authority waste disposal centre
- Unless otherwise stated, this product is designed for domestic use and is not certified for commercial or contract settings.

IMPORTANT INFORMATION



30 Minute
Build




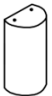
Two Person
Build



Max Weight
Capacity
30kg









Note: Assembly estimates are approximate and can differ based on the specific environment and user experience.

WHAT'S IN THE BOX

Label	Part Name	Drawing	Quantity
1	Table Top		1
2	Leg		3

WHAT'S IN THE BOX

Note: the quantities are the correct amount to complete the assembly. In some cases more fixings may be supplied than are required.

Label	Hardware Description	Drawing	Size (mm)	Quantity
A	Rods		M8x535	6
B	Washer		M8x22	6
C	Nuts		M8x16	6
D	Box Spanner		M8x50	1
E	Connecting Piece		57x16	3
F	Screw		M3x16	6
G	Foot		M6x20	3
H	Screwdriver			Not provided

Note:

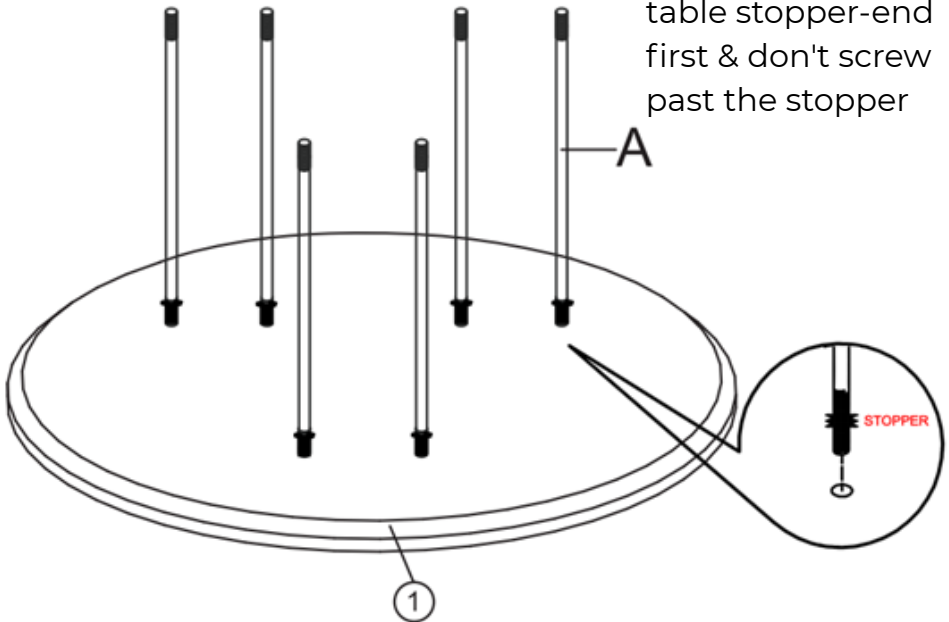
- Use a clear, flat surface to avoid bumps or scratches before assembling.
- Insert all fixings loosely at first to allow for alignment; only tighten them once everything is properly positioned, as some adjustment may be required.
- Avoid over-tightening, as this may damage the parts.
- Seek assistance when moving large or heavy parts

STEP 1

Place the table top upside down on the floor.

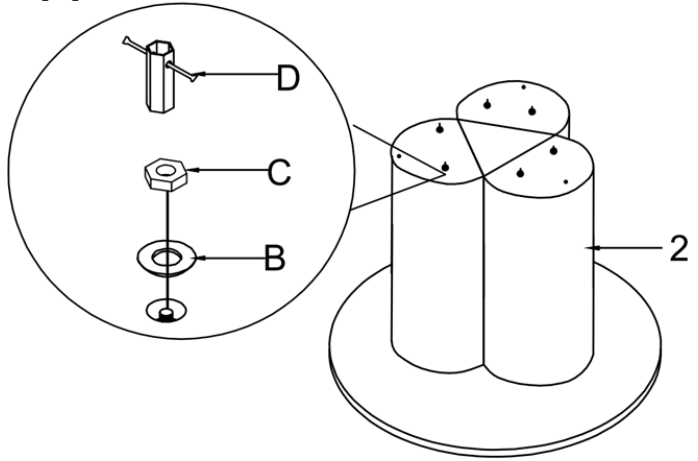
Screw 6x rods [A] in to the table top.

NOTE: Insert the threaded rods into the table stopper-end first & don't screw past the stopper



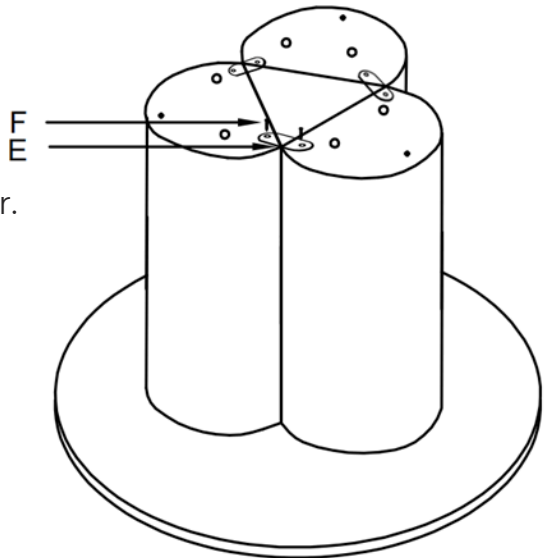
STEP 2

Carefully slide 3x legs [2] onto the rods and secure using 6x washer [B], 6x nut [C] and tighten using box spanner [D]



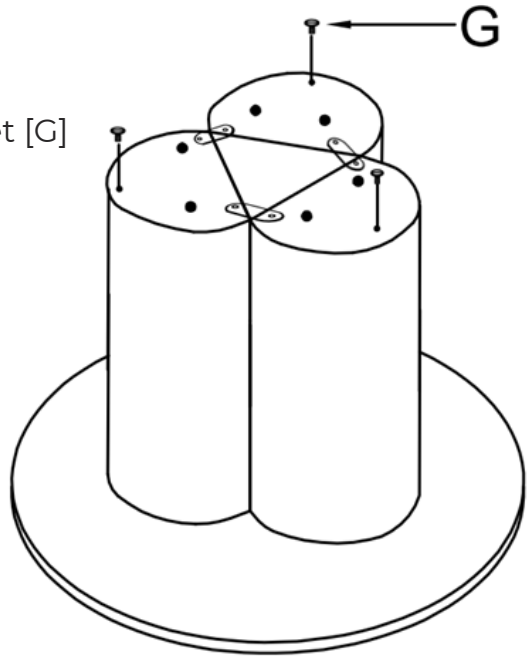
STEP 3

Connect the 3x legs [2] together using the 3x connecting pieces [E]. Secure using 6x screw [F]. Tighten using a screwdriver.



STEP 4

Screw the 3x adjustable feet [G] into the table legs [2]

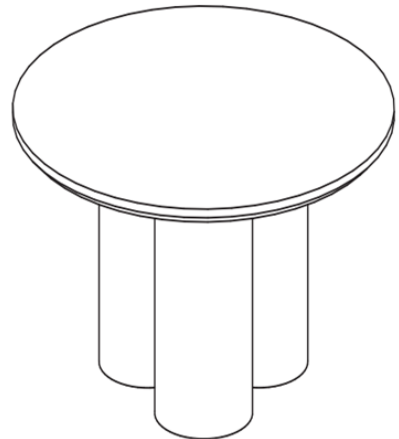


STEP 5

Carefully, and with help, turn you table over so it's now the correct way up.

Check stability.

Your table is now ready to use!



Please ensure any and all fixings and fittings are FULLY tightened before using this product



our 2 year GUARANTEE

Our products come with a 2 year guarantee, giving you extra peace of mind when shopping with us!

What the guarantee covers



PRE-INSERTED FIXINGS
e.g. loose metal threads



FAULTY JOINTS
e.g. legs bending



EXTERNAL FIXING FAULTS
e.g. metal discs removing
from table top



STRUCTURAL INTEGRITY
e.g. the frame of the
product
