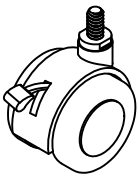


A



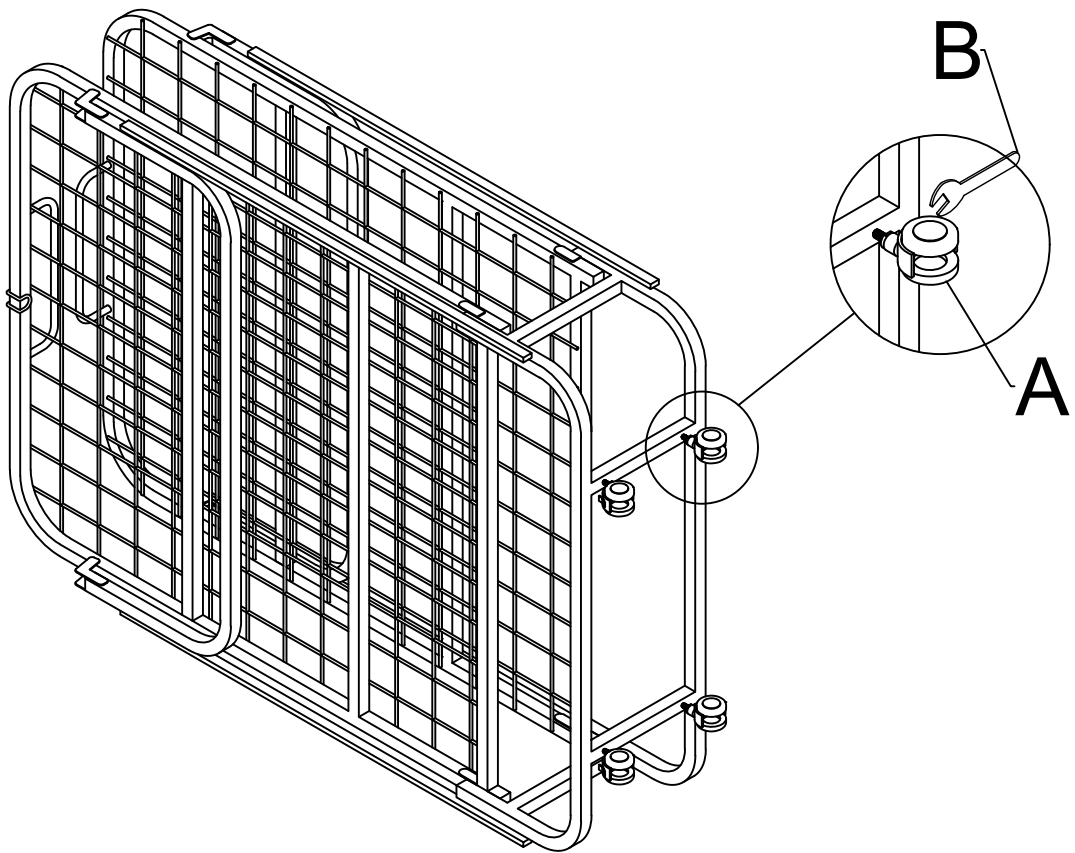
x4

B

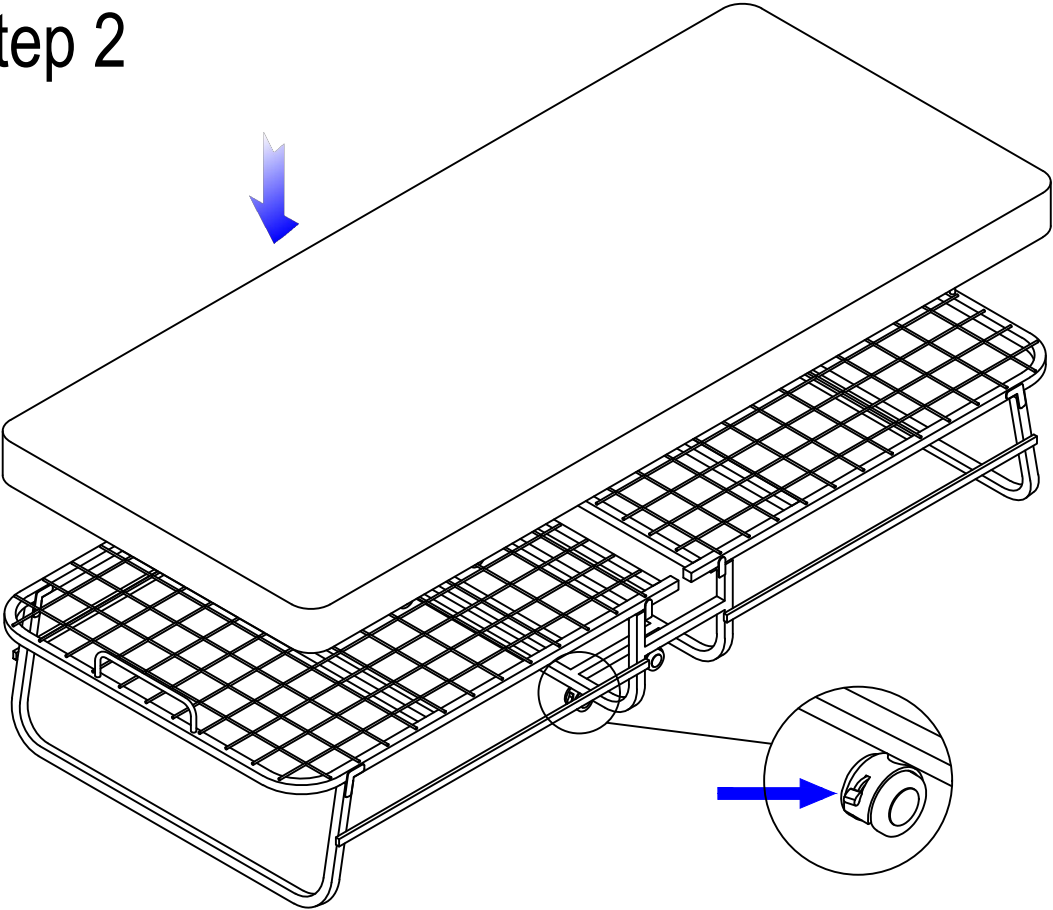


x1

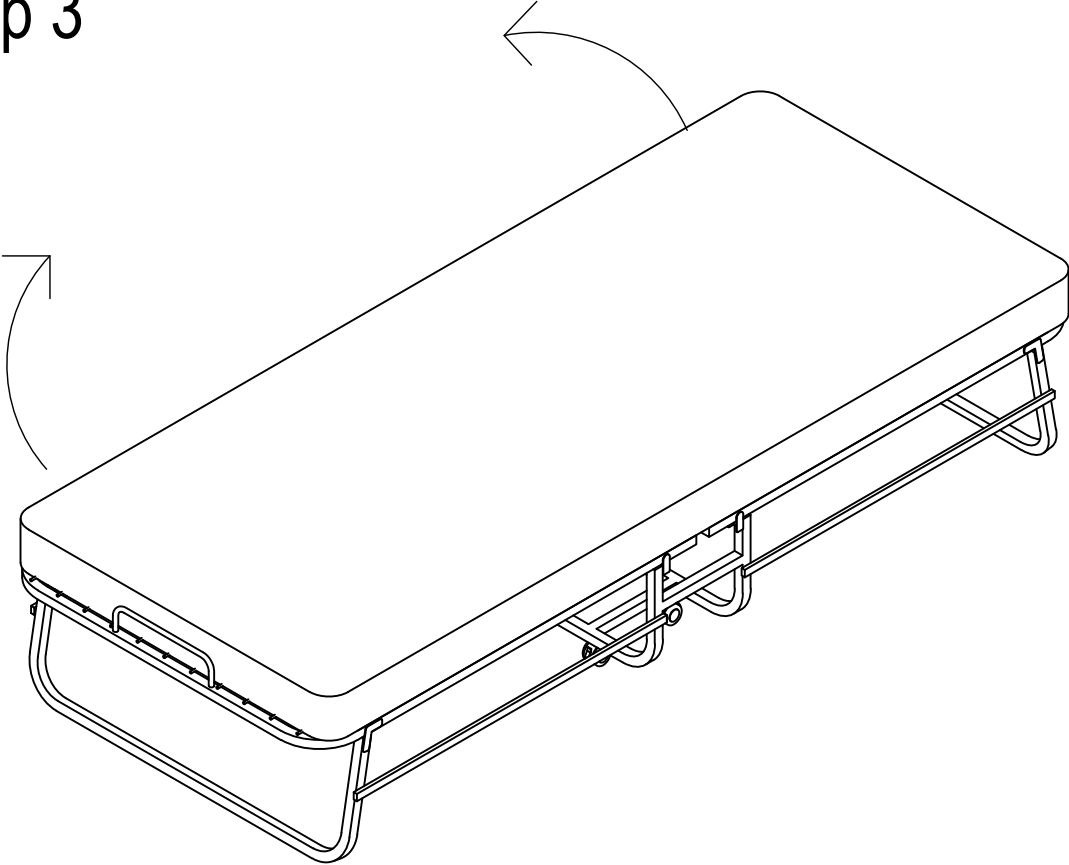
Step 1



Step 2



Step 3



Step 4

