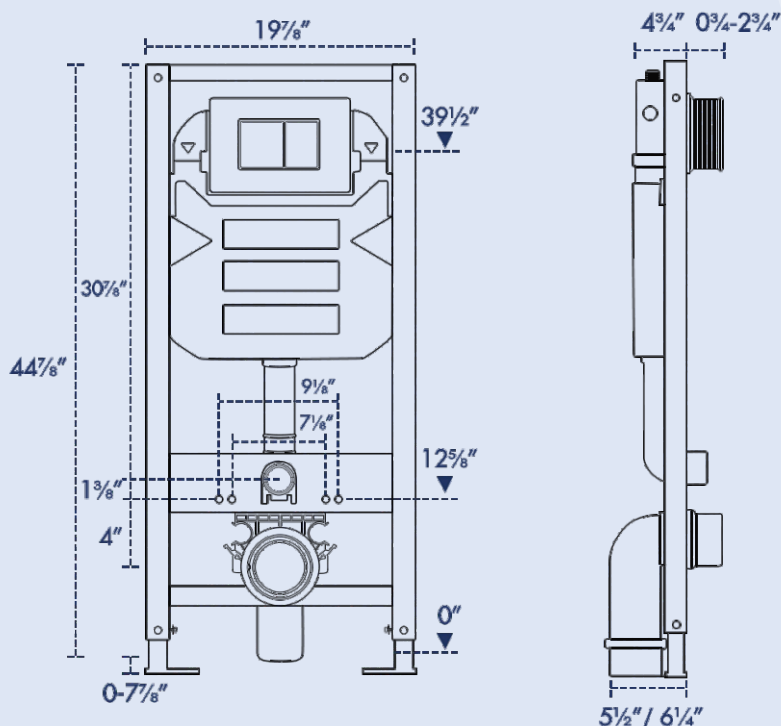




### SPECIFICATIONS

- Dimensions: 19<sup>7</sup>/<sub>8</sub>"L x 4<sup>3</sup>/<sub>4</sub>"W x 44<sup>7</sup>/<sub>8</sub>"H
- Net Weight: 27.3 lbs



### FEATURES

- Robust and durable construction
- Compatible with most wall-hung toilets
- Adjustable frame height (0-200mm)
- Dual flush 0.8/1.6 GPF
- Accessible flushing system for easy maintenance
- Fits both 2x4 and 2x6 stud walls

### INSTALLATION

- In Wall
- Fits both stud and solid walls

### PARTS INCLUDED

- Carrier and Tank
- Pipe Clamp
- Discharge Elbow
- Silicone Grease
- Carrier Fixings Kit
- Rough-In Box
- Flush&Drain Pipes
- Protection Plugs
- Dual-Flush Actuator Plate

### COMPATIBLE PARTS

- Wall Hung Toilet