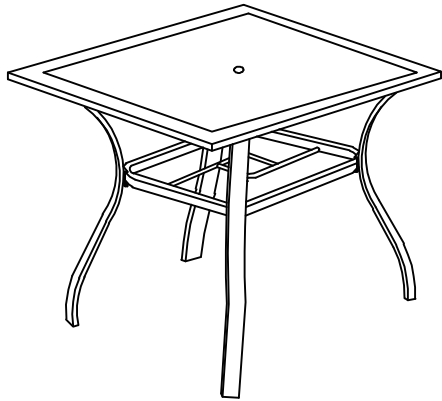


PATIO DINING SQUARE TABLE

ASSEMBLY MANUAL




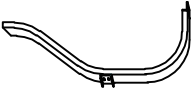


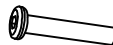


Assembly Instructions

- Prior to assembly, ensure that you lay out and identify all the parts listed in the parts list.
- Tighten all nuts and bolts securely. Hand-tighten all bolts before use. Avoid using power tools or applying excessive force during assembly and bolt tightening.
- If you encounter any difficulties during assembly or if any part is missing or damaged, please don't hesitate to contact our customer service team via email us.

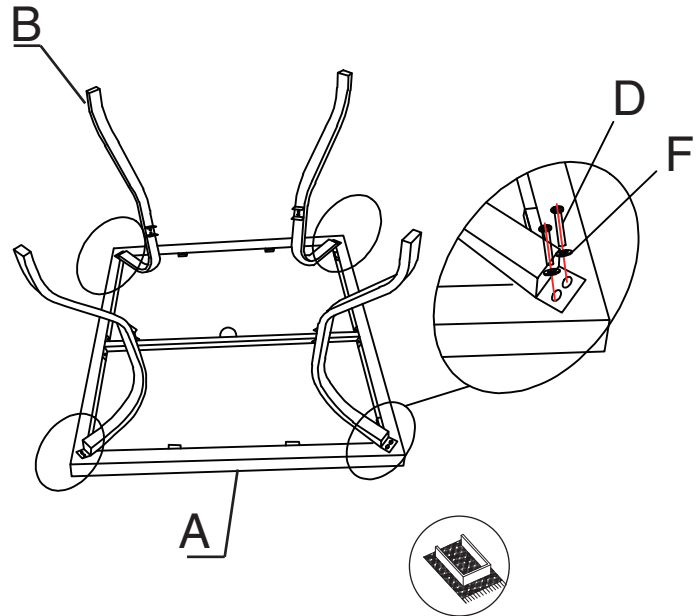
Care and warranty

- The weight capacity of this table is 50 lbs.
- Clean the frame components and fabric with a mild soap solution, then rinse thoroughly. Avoid using bleach, acid, or any other solvents on either the fabric or frame components.
- For a comprehensive warranty policy. Be aware that warranty terms can change without prior notification.
- For the best performance and safety of your chair, inspect and tighten all bolts and fasteners regularly

Part list

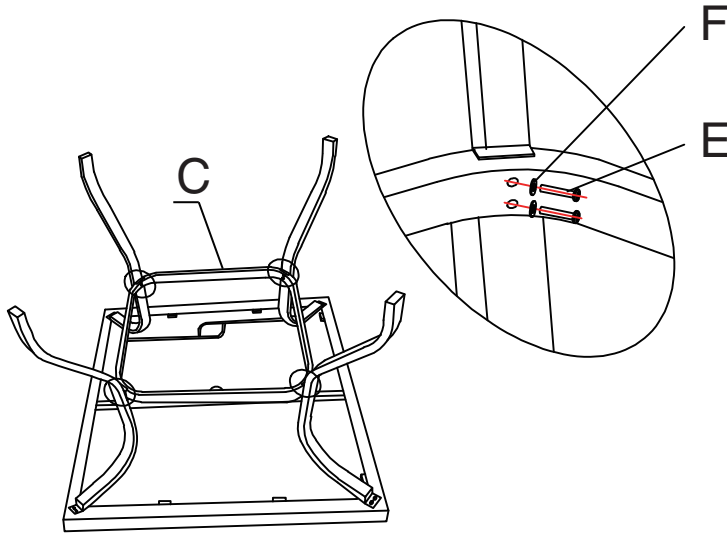
Part	Description	Qty
A	 Top	1
B	 Leg	4
C	 Leg Connector	1
D	 M6X15 Screws	8
E	 M6X28 Screws	8
F	 Washer	16
G	 Allen key	1

1. Connect the top (Part A) and legs (Part B) using Screws (D) and Washers (F) as illustrated in the diagram.



Reminder: All parts must be put on the carpet in the assembly.

2. Connect the leg connector (Part C) with the legs (Part B) using screws (E) and washer (F) as indicated in the diagram.



3. Finally, ensure that all screws are securely tightened before using the product on level ground.

