

# INSTRUCTION MANUAL



Outdoor Folding Adjustable Adirondack Chair  
with Cup Holder & Hideaway Ottoman

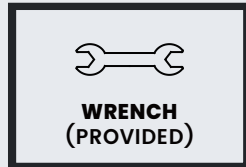
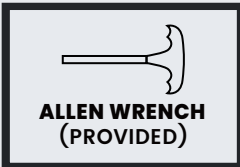
V1.0

## ! NOTICE

### Do not overtighten screws. (Insert all screws before tightening screws.)

- Please do not exceed the weight limitations of this item.
- Do not stand on or use any part of this item as a step ladder.
- Firmly secure all bolts, screws and nuts before use.
- Reconfirm that all bolts, screws, and nuts are secure every 90 days.
- Do not use or store this item in the proximity of open flame or flammable/combustible chemicals.
- Be aware that some parts are heavy and have sharp edges.
- Be very careful when folding chair to avoid smashing your hands or fingers.

## TOOLS REQUIRED



**CHAIR  
330 LBS  
CAPACITY**

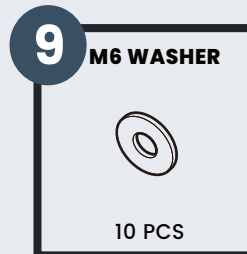
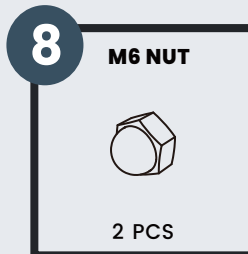
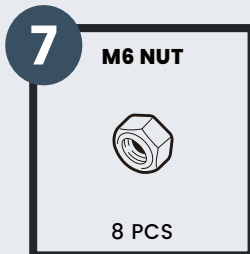
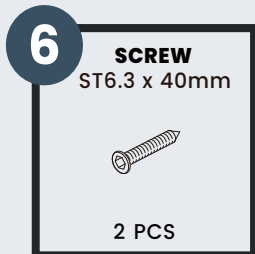
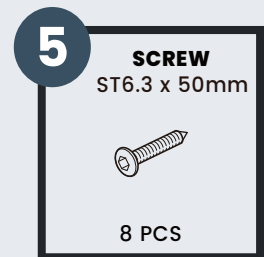
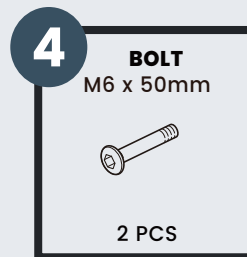
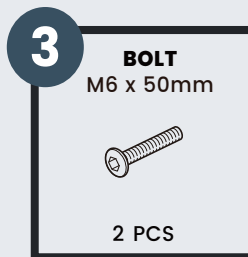
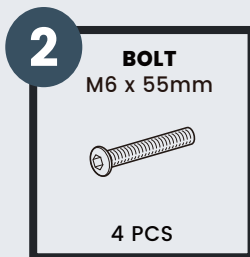
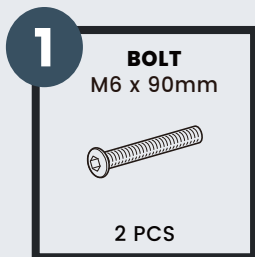


**1 PERSON  
ASSEMBLY**

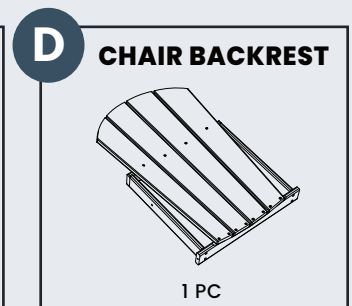
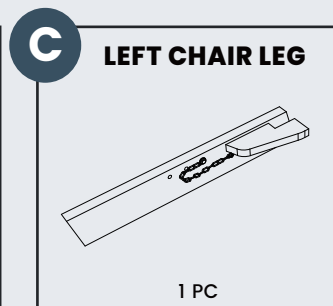
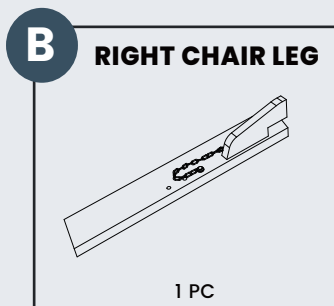
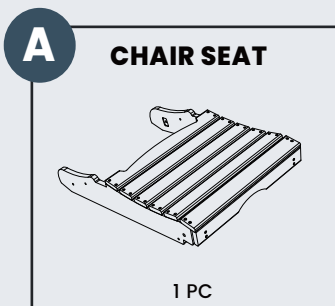


**UP TO 30 MIN.  
ASSEMBLY**

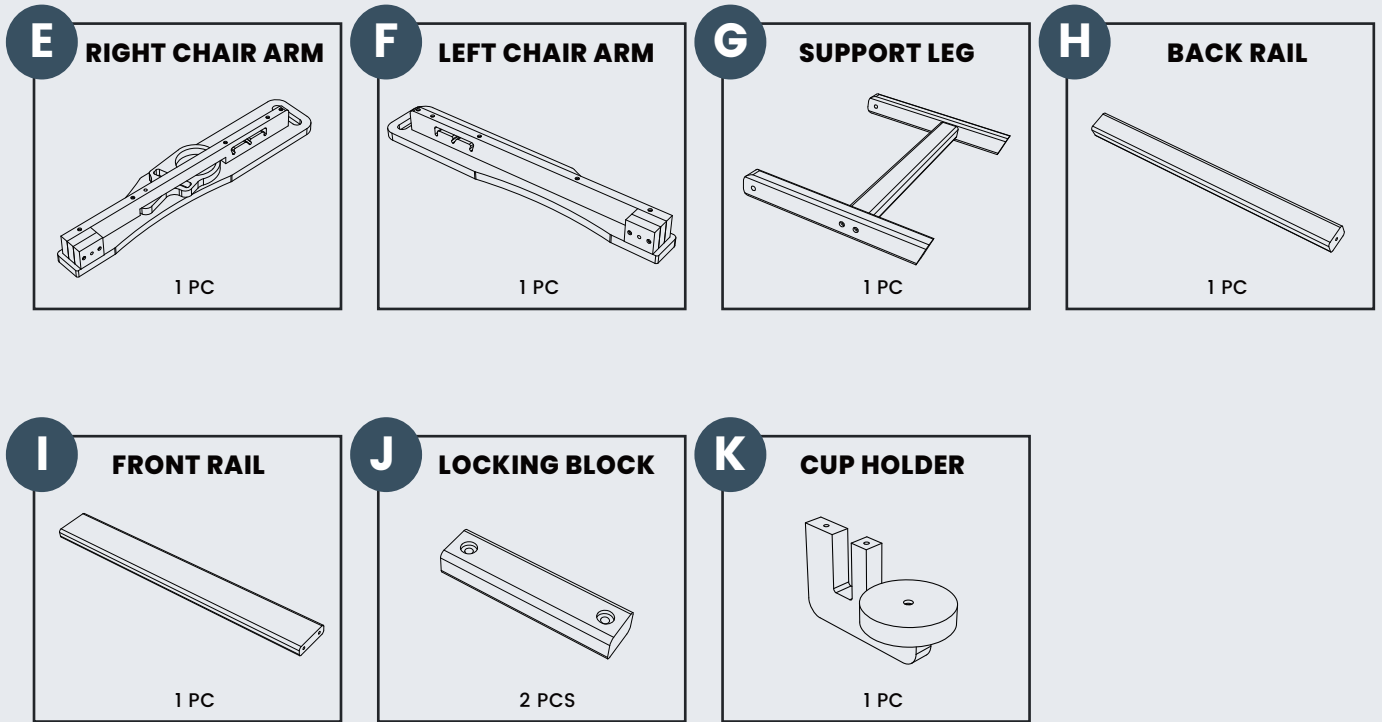
## HARDWARE



## PARTS

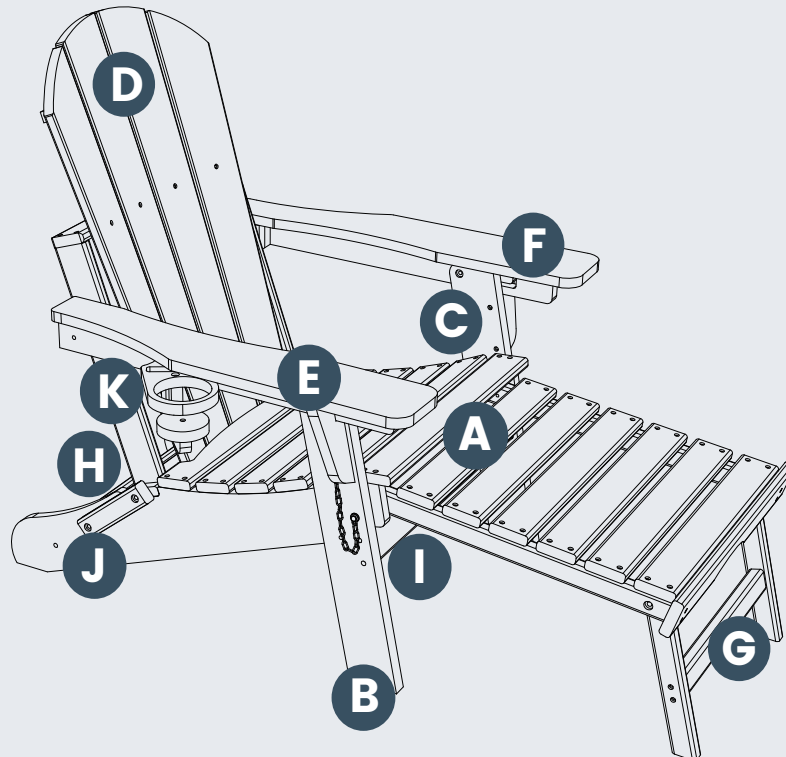


## PARTS



## PRODUCT ASSEMBLY - OVERALL VIEW

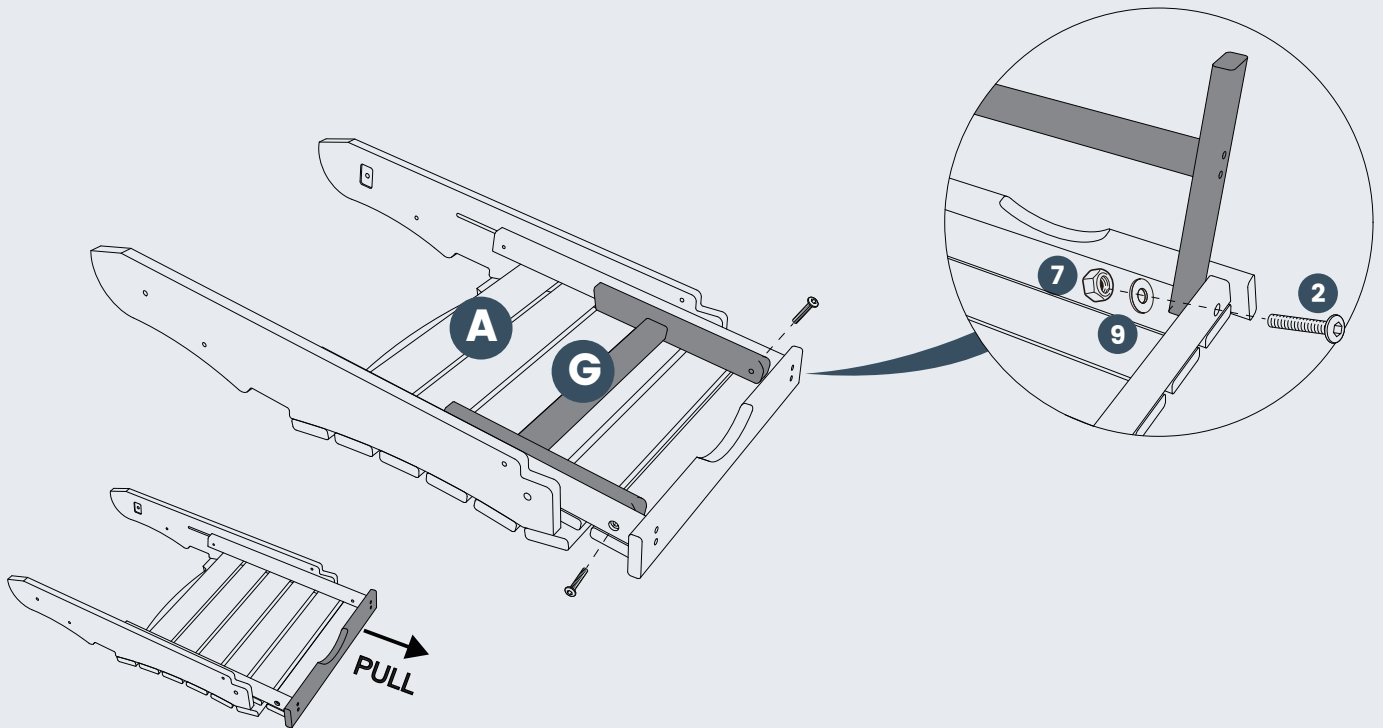
Look at following overall view of this chair and learn the exact position of each part to be assembled.



## PRODUCT ASSEMBLY

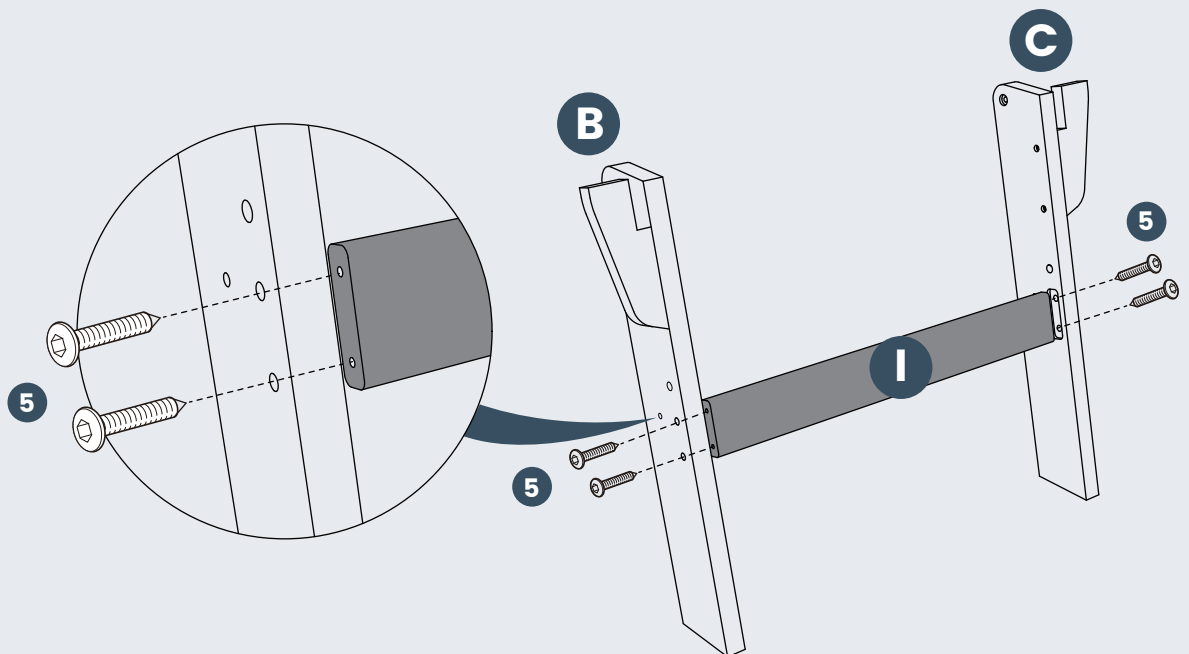
1

Attach **Part G Support Leg** to **Part A Chair Seat** with 2 pcs of **Hardware #2 Bolt** and **Hardware #9 Washer** and **Hardware #7 Nut**.



2

Attach **Part I Front Rail** to **Part B Right Chair Leg** and **Part C Left Chair Leg** with 4pcs of **Hardware #5 Screw**.

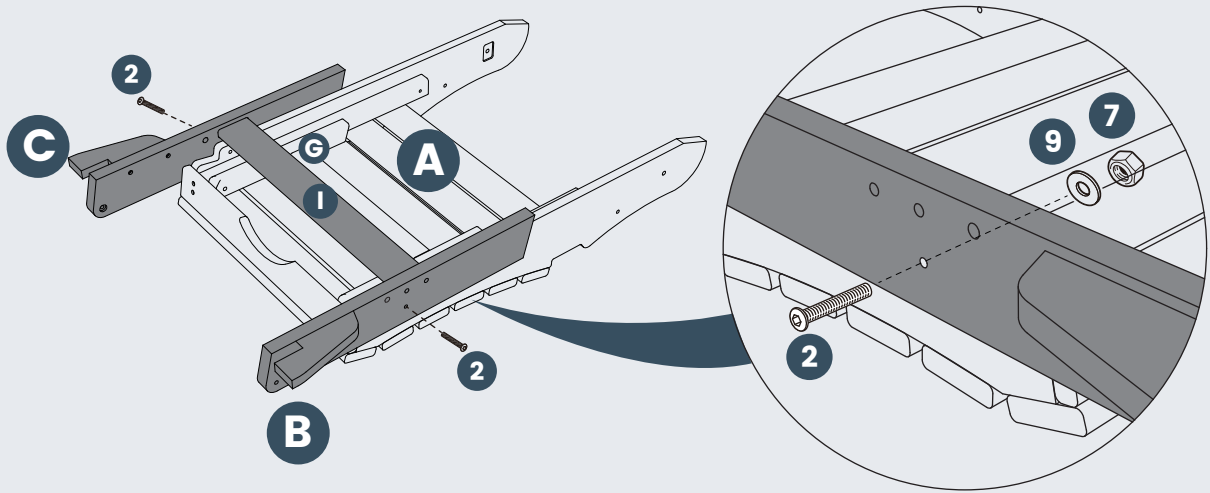


## PRODUCT ASSEMBLY

**3**

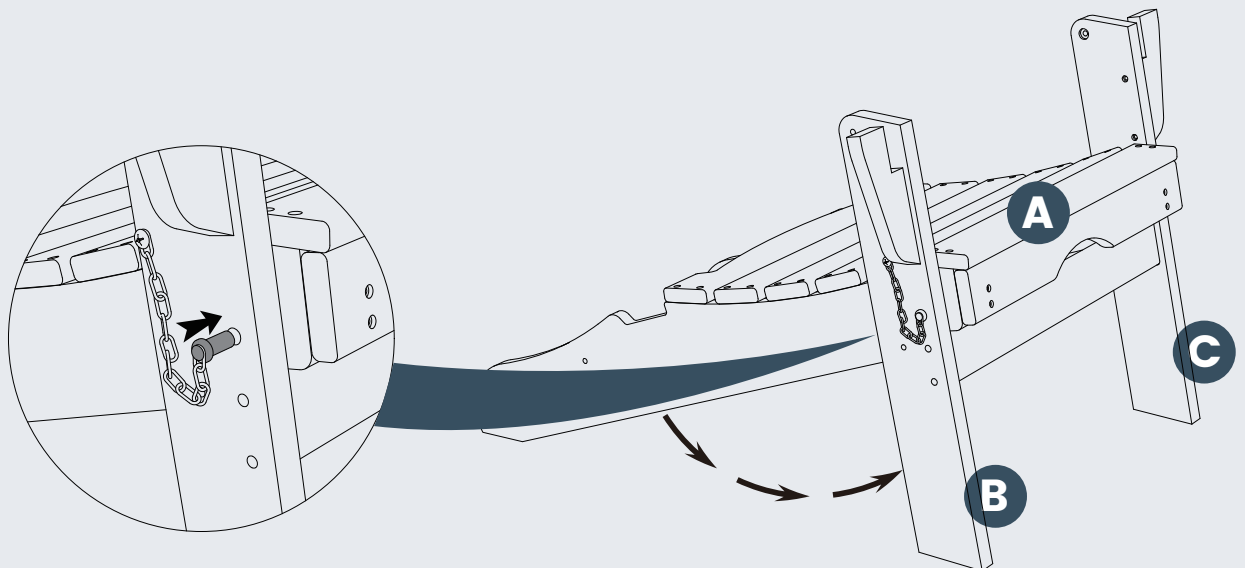
Connect the finished part of Step 2 to the finished part of Step 1 with 2 pcs of **Hardware #2 Bolt** and **Hardware #9 Washer** and **Hardware #7 Nut**.

Do not tighten screws too much at this step.



**4**

Place the steel pins into both legs to lock them in place.



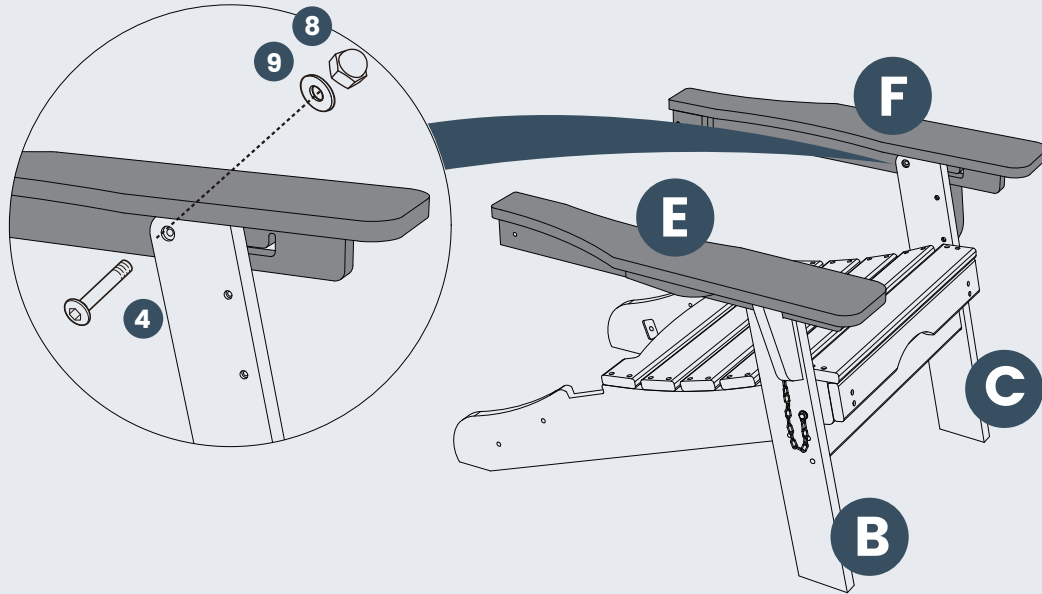
## PRODUCT ASSEMBLY

5

Attach **Part F Left Chair Arm** to **Part C Left Chair Leg** with 1 pc of **Hardware #4 Bolt** and **Hardware #9 Washer** and **Hardware #8 Nut**.

Do same to **Part E Right Chair Arm** and **Part B Right Chair Leg**.

Do not tighten screws too much at this step.

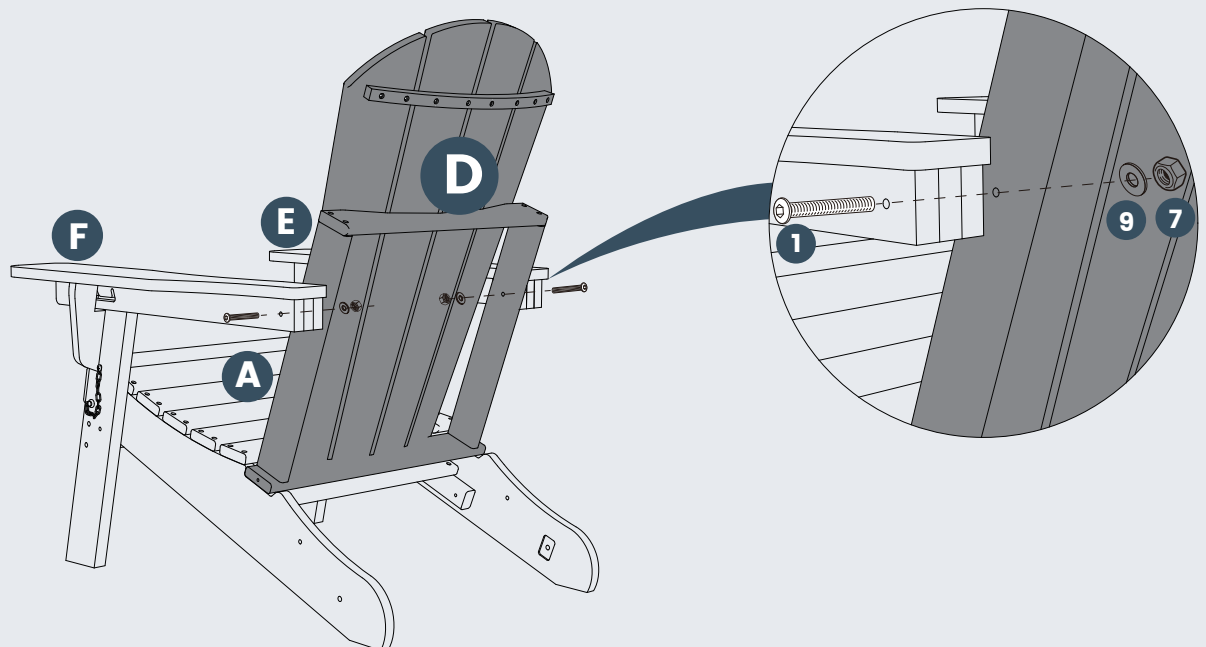


6

Fix **Part D Chair Backrest** into **Part A Chair Seat** and then attach **Part D Chair Backrest** to **Part F Left Chair Arm** with 1 pc of **Hardware #1 Bolt** and **Hardware #9 Washer** and **Hardware #7 Nut**.

Do same to **Part D Chair Backrest** and **Part E Right Chair Arm**.

Do not tighten screws too much at this step.

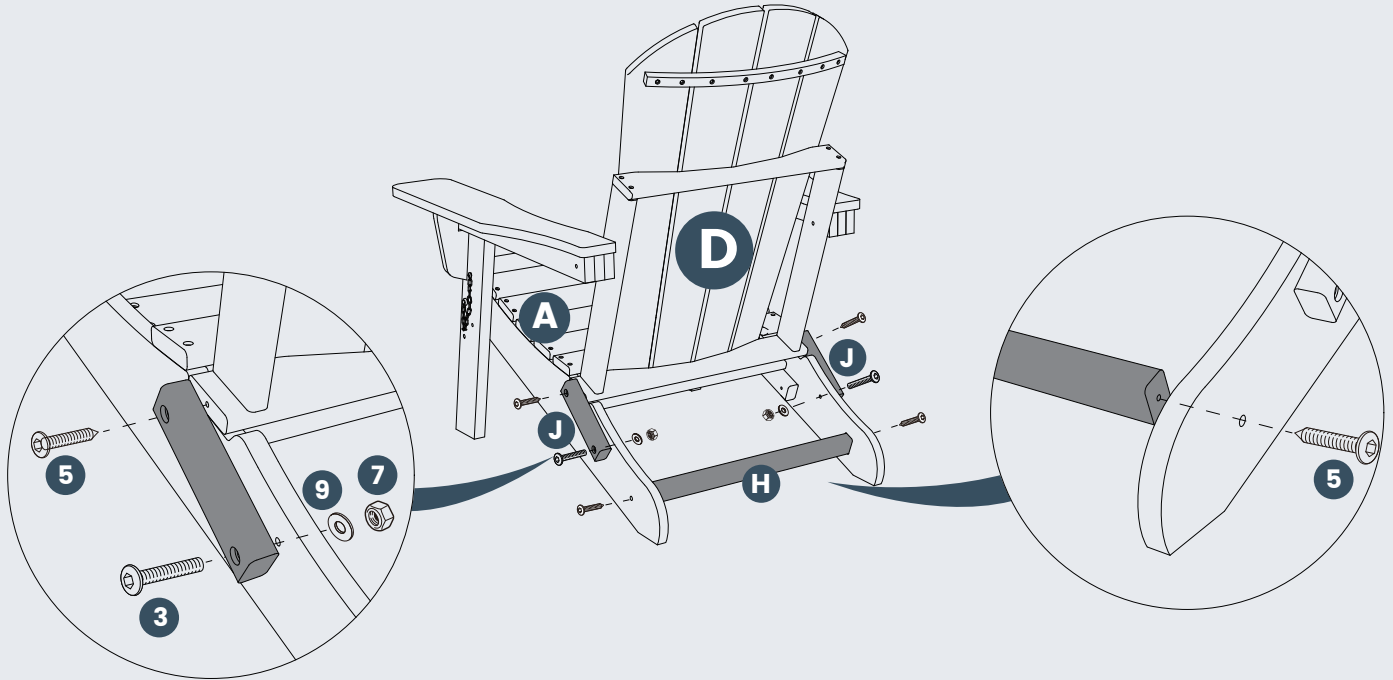


## PRODUCT ASSEMBLY

7

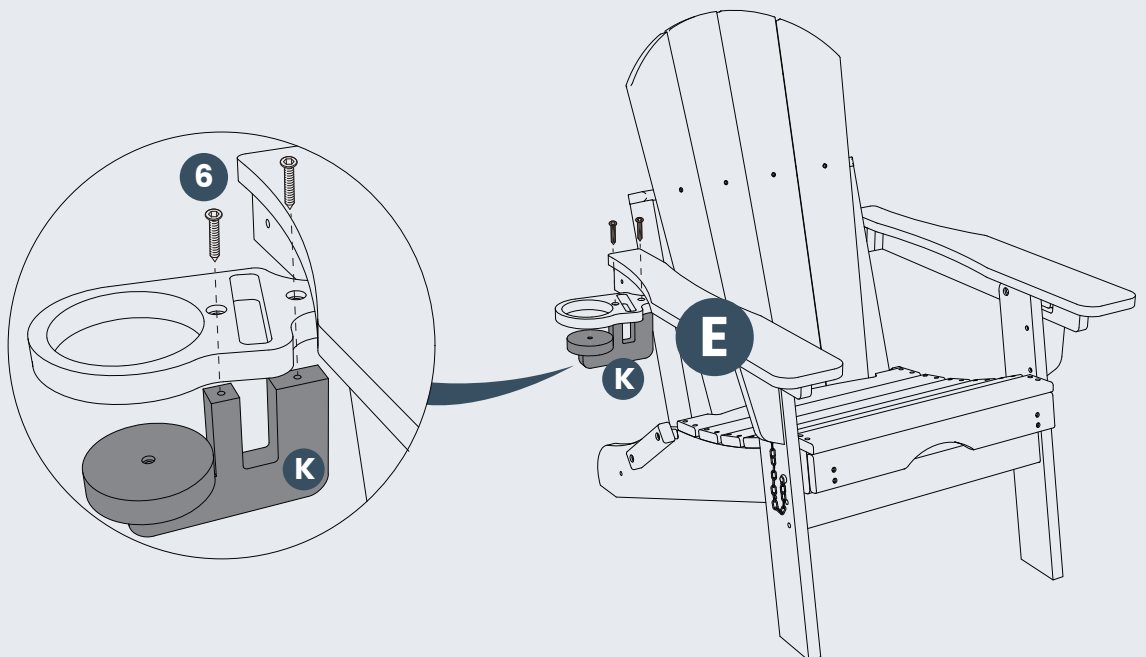
Attach **Part J Locking Block** to **Part D Chair Backrest** (both sides) with 2 pcs of **Hardware #5 Screw** and attach **Part J Locking Block** to **Part A Chair Seat** (both sides) with 2 pcs of **Hardware #3 Bolt** and **Hardware #9 Washer** and **Hardware #7 Nut**.

Attach **Part H Back Rail** to **Part A Chair Seat** with 2 pcs of **Hardware #5 Screw**.



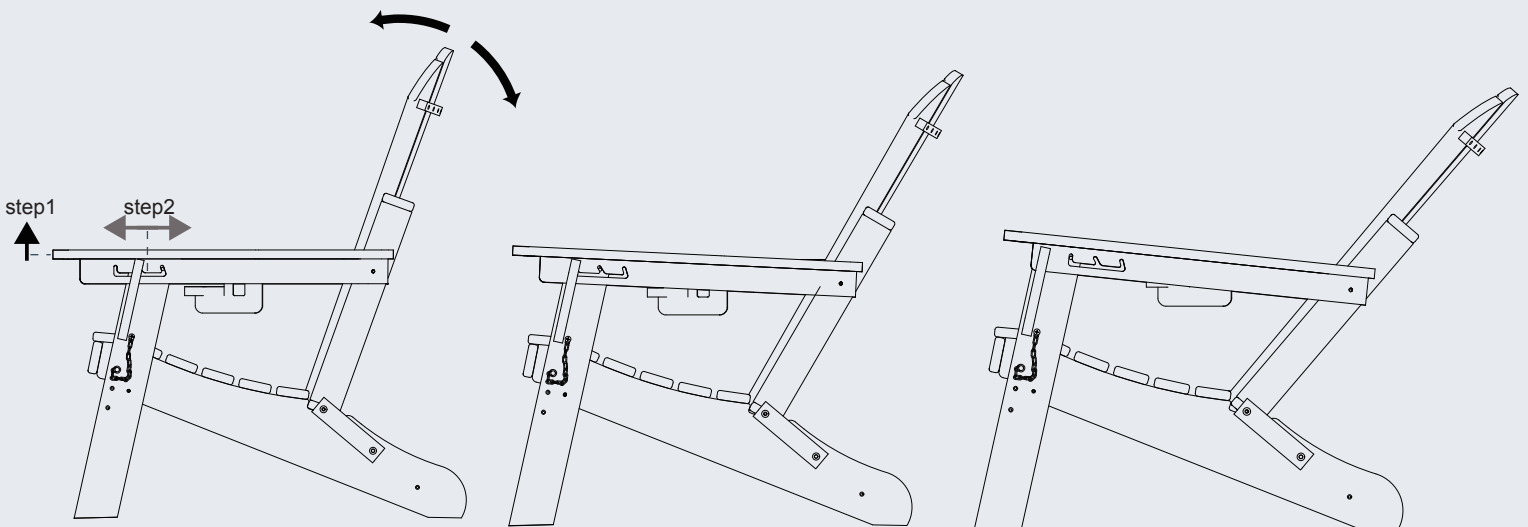
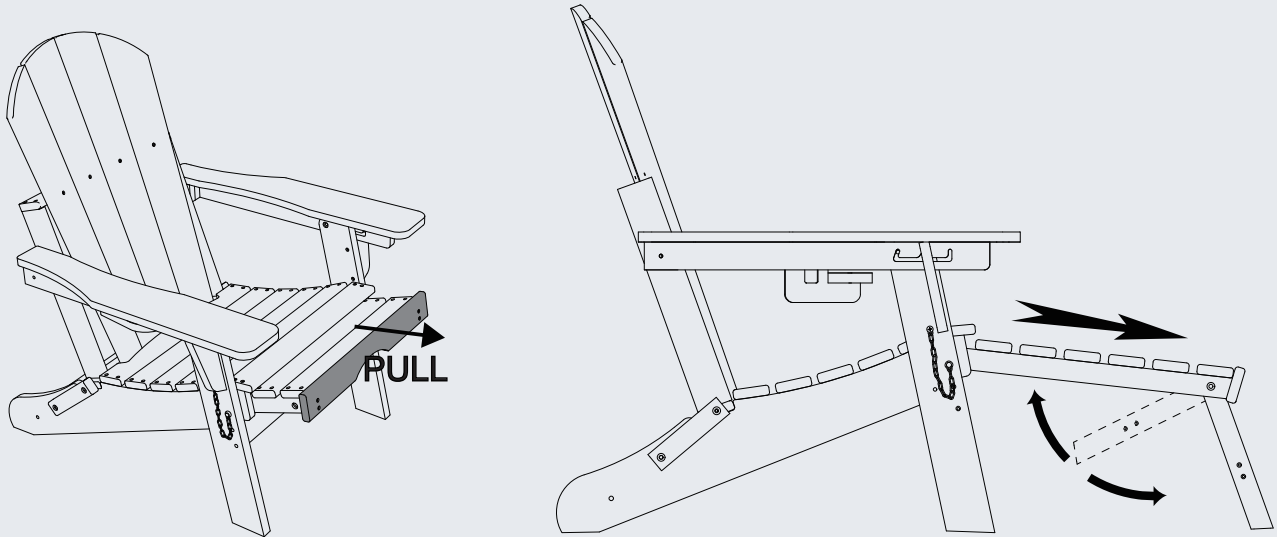
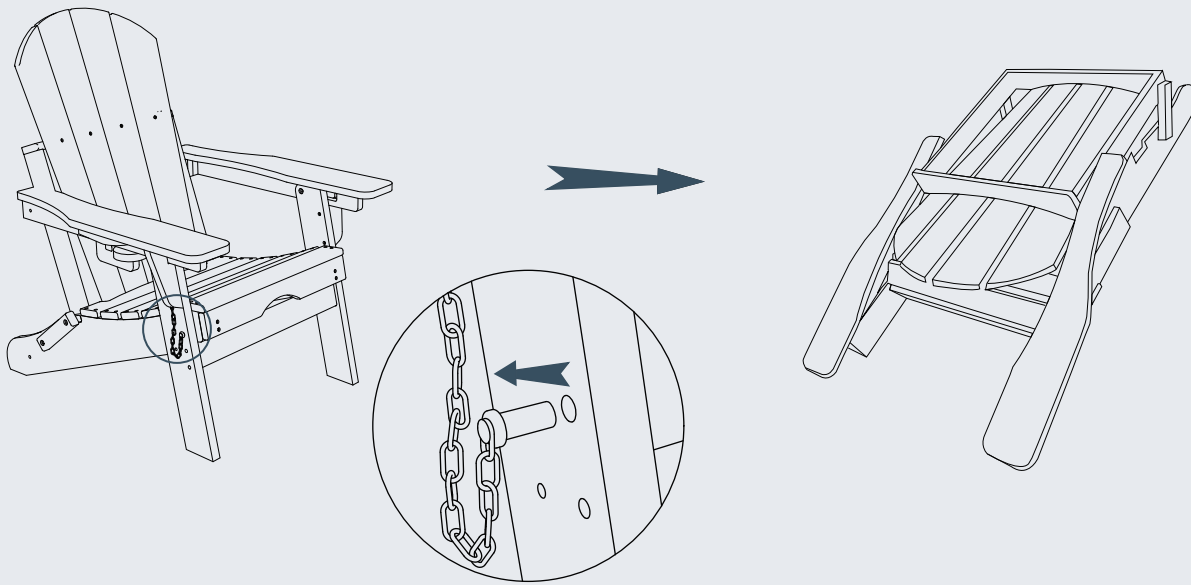
8

Attach **Part K Cup Holder** to **Part E Right Chair Arm** with 2 pcs of **Hardware #6 Screw**. Tighten all screws after assembly is complete.



Congratulations! You finished the assembly of this Adirondack chair.

Pull the steel pins out of both legs to fold the chair as below.



---

## CLEANING TIPS

**REGULAR CLEAN:** Use a mixture of warm water and mild soap. Gently scrub the surface with a soft bristle brush to remove any dirt or stains.

**QUICK CLEAN:** You can simply wipe down the furniture with a damp cloth.

Regular cleaning not only preserves the aesthetic appeal of your furniture, but also helps extend its lifespan.