

ASSEMBLY INSTRUCTION







Thank you for purchasing the quality product. Be sure to check all packing material carefully for small parts which may have come loose inside the carton during shipment. Separate, identify and count all parts and metal hardware. Compare with all parts list to be sure all parts are present. If any part(s) are missing or damaged, please contact your local furniture dealer. For efficient and speedy service, please indicate the model number and code letter of part(s) needed.

*****Do not fully tighten screws until fully assembled*****

COMPONENT PARTS		
DESCRIPTION	PART NAME	Q'TY (PCS)
P2	MAIN TABLE LEG FRAME	1
P3	BASE BAR	1
P4	LEG STRETCHERS	4
P5	MOUNTING BAR	1

HAREWARES REQUIRE (FOR 1 TABLE BASE)

THE HARDWARE
IN INNER BOX

- H1  JCBC BOLT M6 x 45MM - 6 PCS
- H4  LEG ADJUSTABLE GLIDE - 4 PCS
- H5  ALLEN KEY (SHARE USE) - 1 PC
- H6  WOOD DOWEL - 8 PCS
- H7  WOOD PLUG - 8 PCS
- H8  JCBC BOLT M6 x 35MM - 2 PCS

Attention:

*** Some number parts listed on the instruction sheet may not be in parts bag as they may already be assembled. Carefully check parts and packing materials prior to ordering replacements.

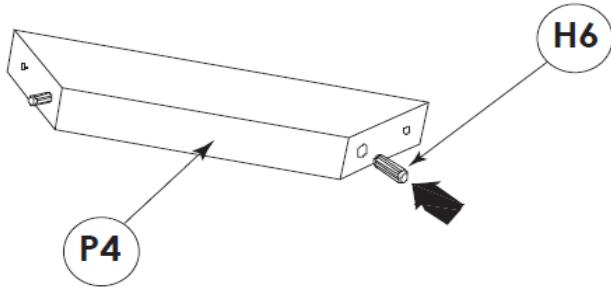
How to assemble

STEP 1

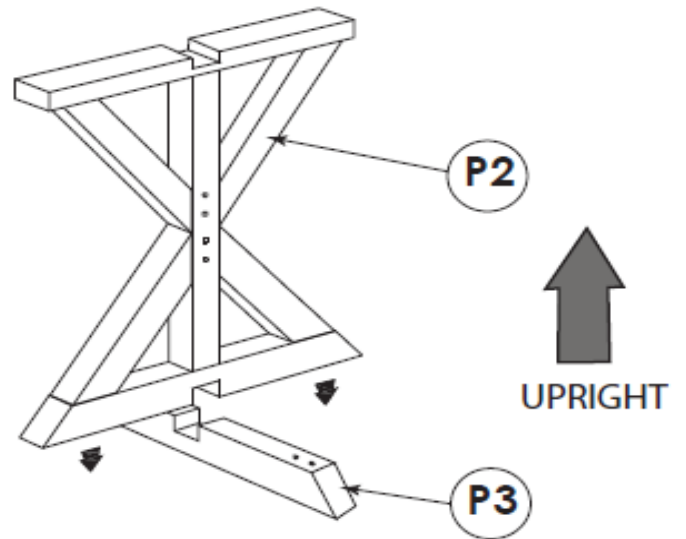
H6 x 8



M8 x 30mm



STEP 2

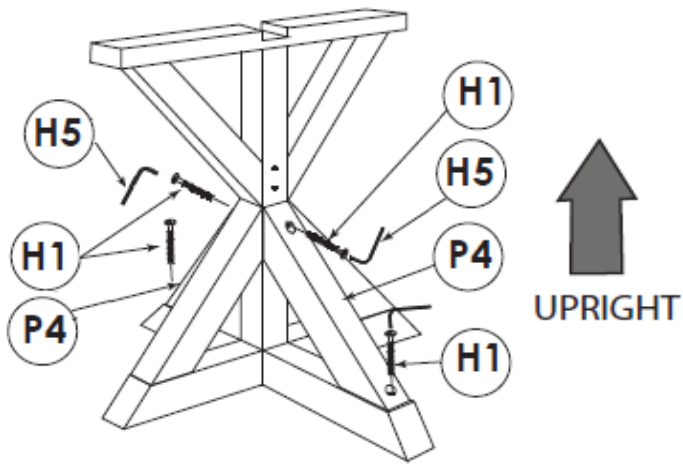


STEP 3

H1 x 4



M6 x 45mm

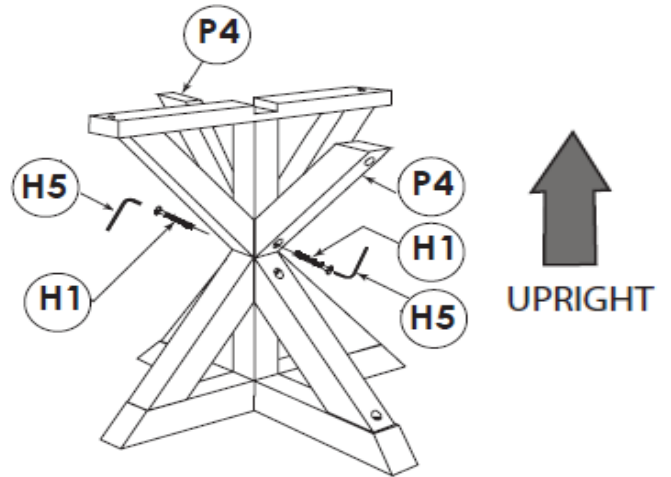


STEP 4

H1 x 2



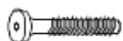
M6 x 45mm



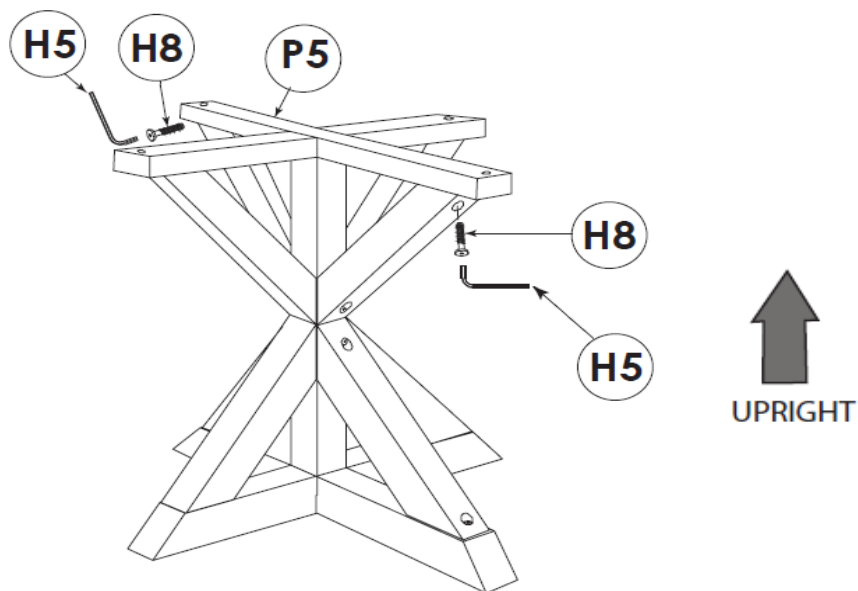
How to assemble

STEP 5

H8 x 2



M6 x 35mm

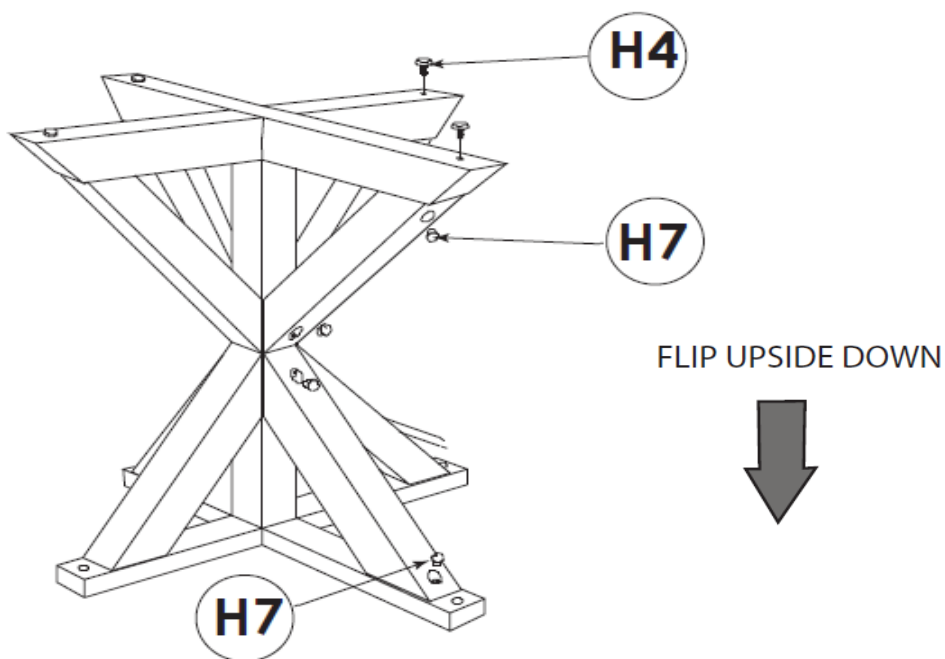


STEP 6

H4 x 4



H7 x 8






ASSEMBLY INSTRUCTION

Thank you for purchasing the quality product. Be sure to check all packing material carefully for small parts which may have come loose inside the carton during shipment. Separate, identify and count all parts and metal hardware. Compare with all parts list to be sure all parts are present. If any part(s) are missing or damaged, please contact your local furniture dealer. For efficient and speedy service, please indicate the model number and code letter of part(s) needed.

*****Do not fully tighten screws until fully assembled*****

	COMPONENT PARTS	
DESCRIPTION	PART NAME	Q' TY (PCS)
P1	TABLE TOP	1

HAREWARES REQUIRED (FOR 1 TABLE TOP)




- | | | |
|----|-----------------------------------------------------------------------------------|-----------------------------|
| H1 |  | JCBC BOLT M6 x 45MM - 4 PCS |
| H2 |  | SPRING WASHER - 4 PCS |
| H3 |  | FLAT WASHER - 4 PCS |

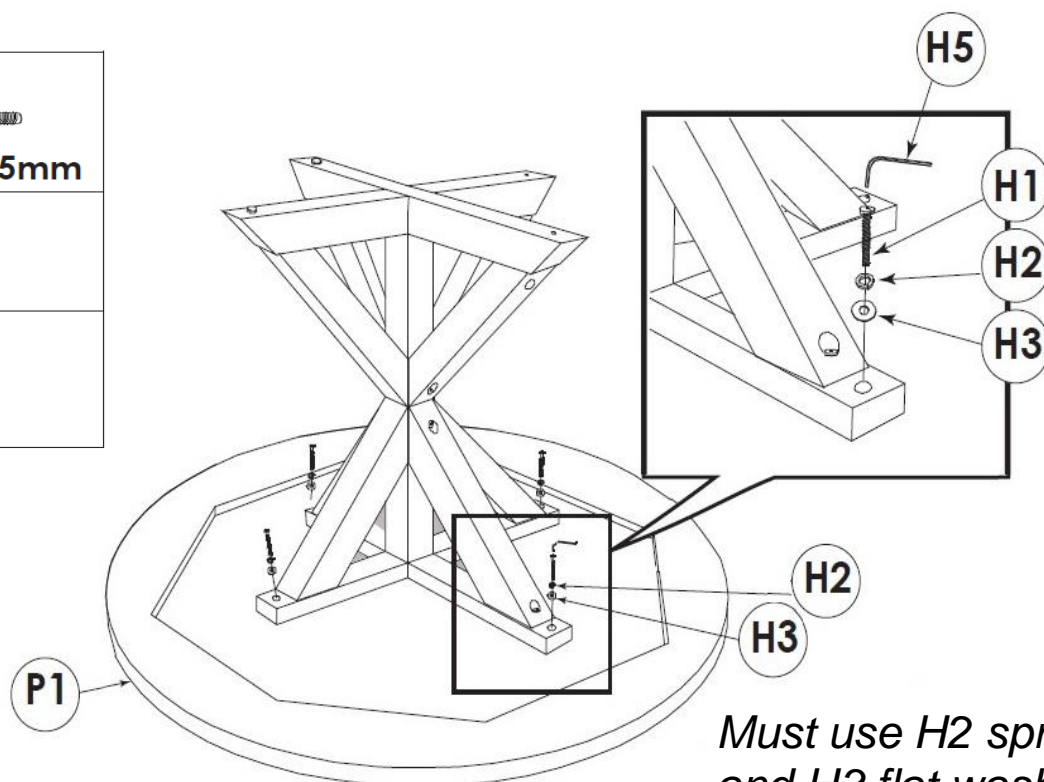
Attention:

*** Some number parts listed on the instruction sheet may not be in parts bag as they may already be assembled.

Carefully check parts and packing materials prior to ordering replacements.

STEP 7

H1 x 4	
M6 x 45mm	
H2 x 4	
H3 x 4	



*Must use H2 spring washer
and H3 flat washer
Allen key H5 recommended
DO NOT over tighten*