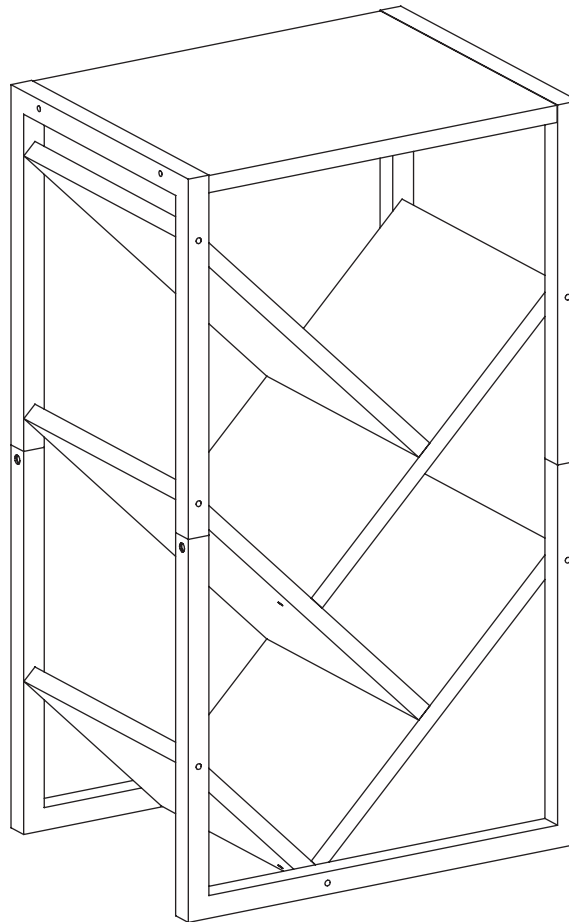
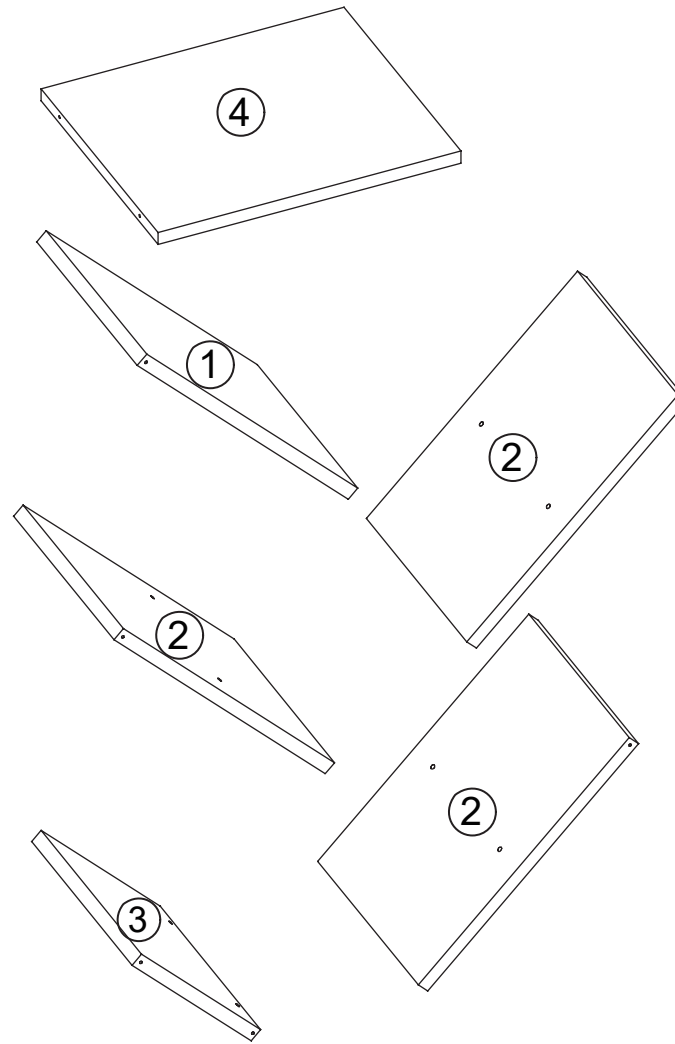
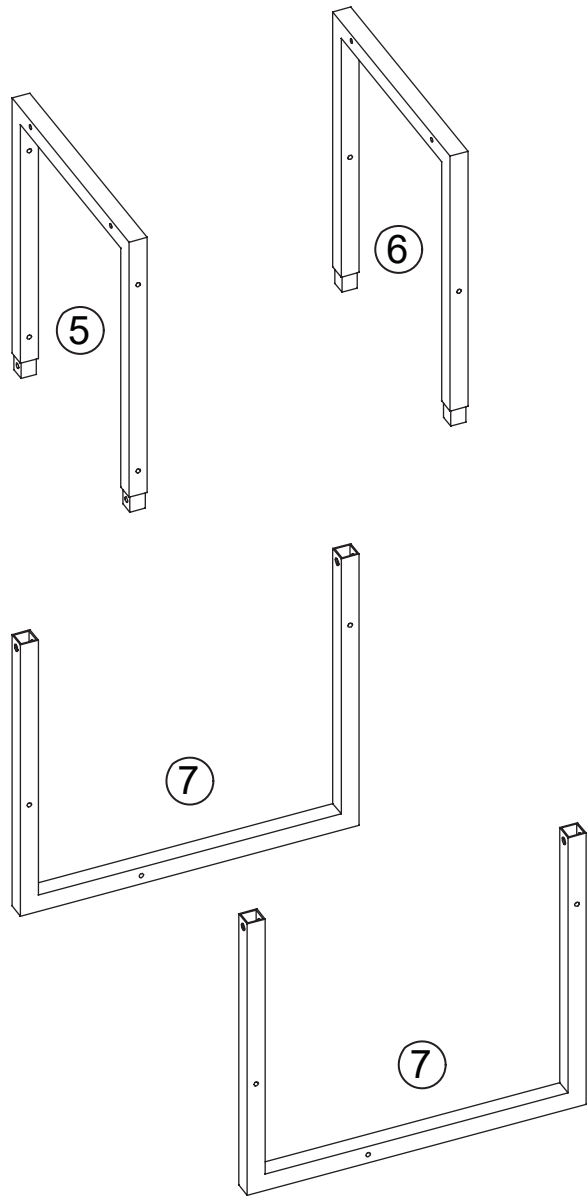
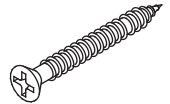


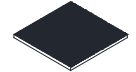
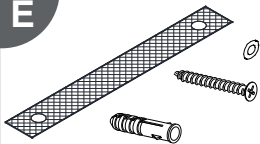



INSTRUCTION MANUAL



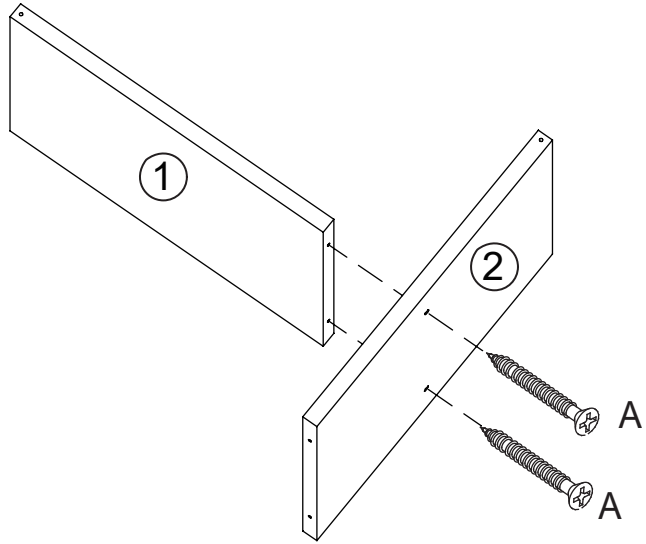
Please read the instructions completely before assembling. If you have any question, Please contact us.



| | |
|----------|---|
| A | 3.5*40mm  |
| 24+2 pcs | |
| B | 6*16mm  |
| 4+1 pcs | |
| C |  |
| 8+2 pcs | |
| D |  |
| 8+2 pcs | |
| E |  |
| 2 set | |
| F |  |
| 1 pcs | |

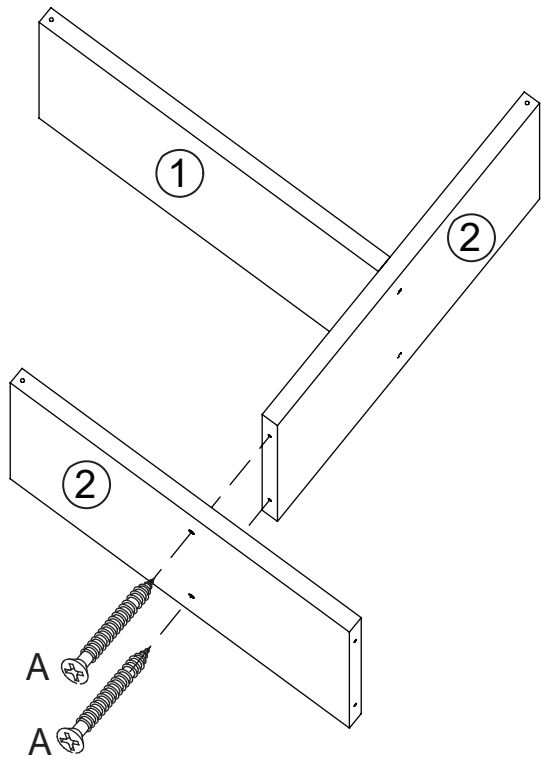
Assemble the furniture on empty carton, carpet, or rug to prevent scratches or damage.
 Make sure on parts are missing or damaged before assemble.

Step 1



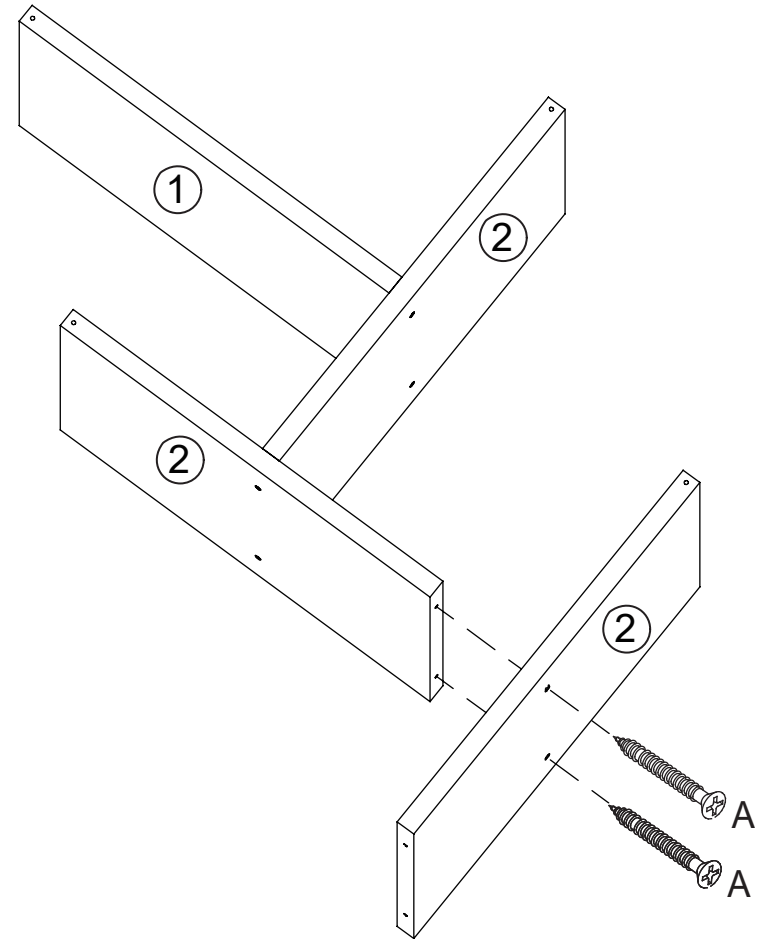
A=2

Step 2



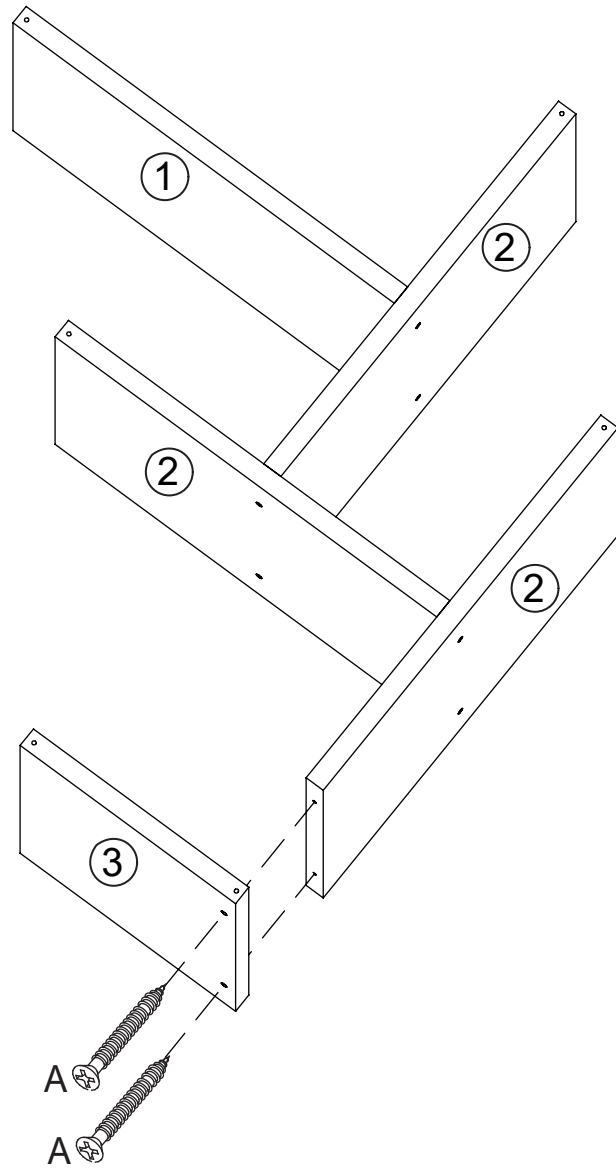
A=2

Step 3



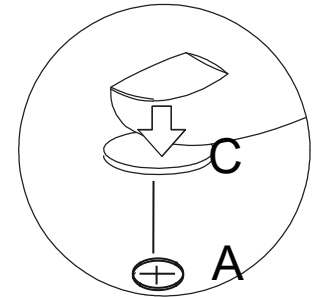
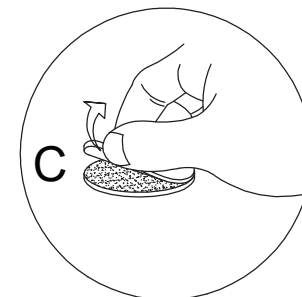
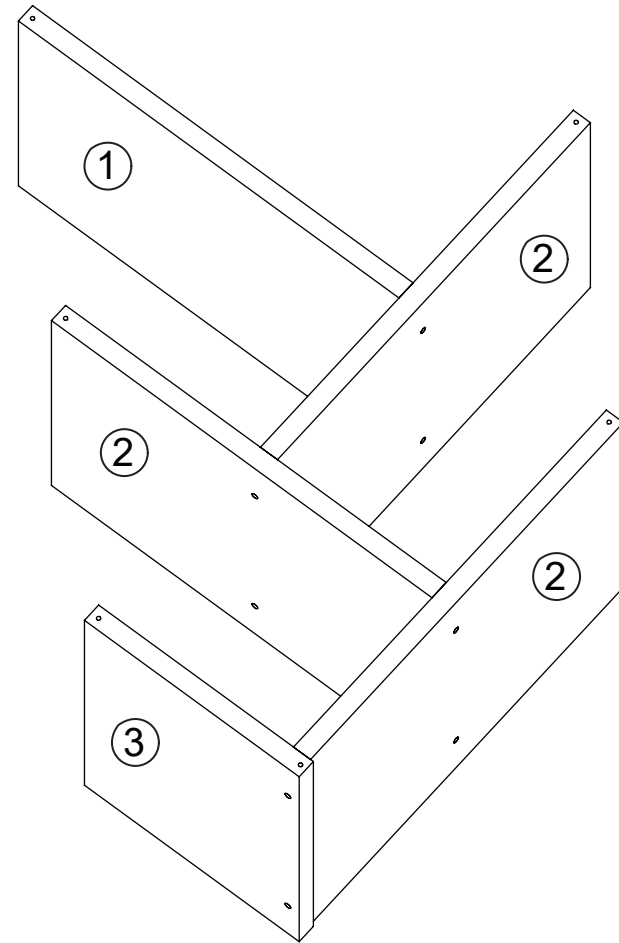
A=2

Step 4



A=2

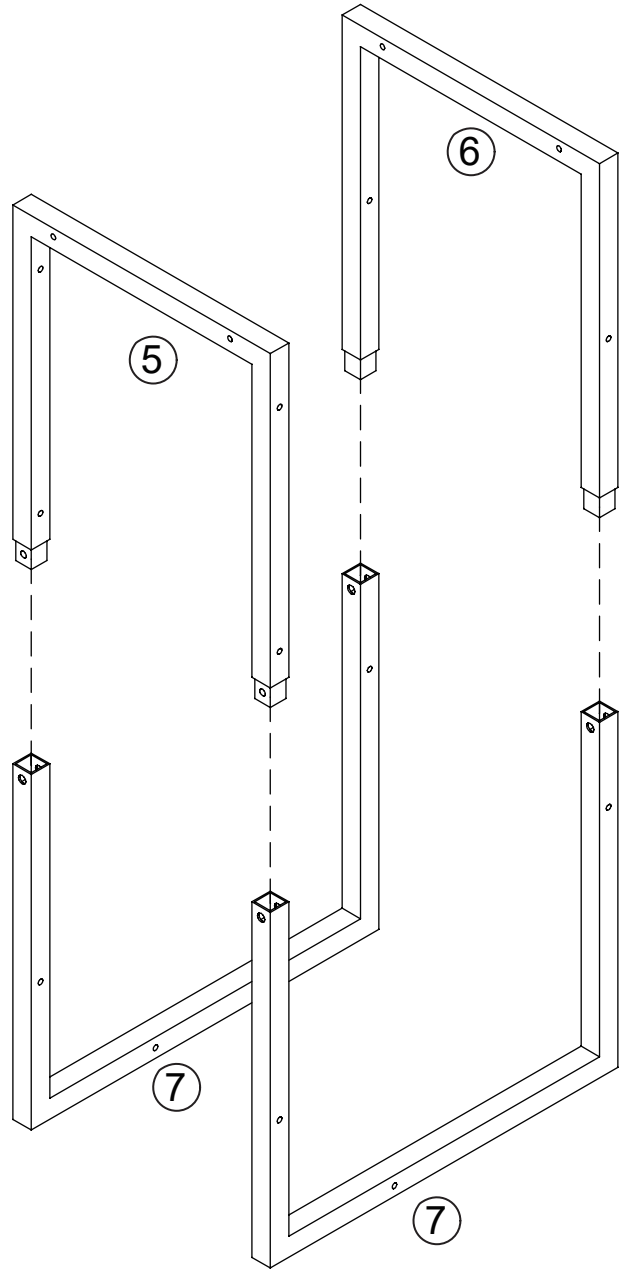
Step 5



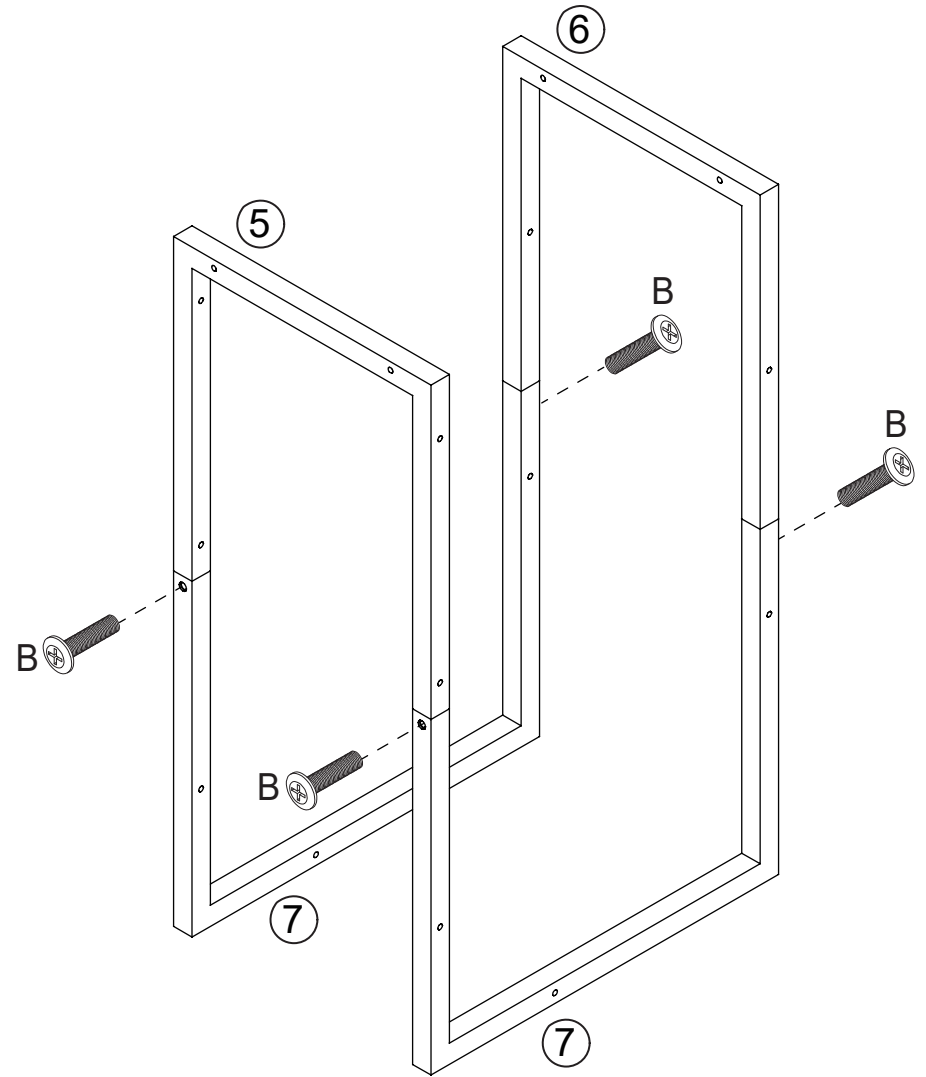
Please stick the hardware "C" on the exposed hole that makes your product more beautiful.

C=8

Step 6

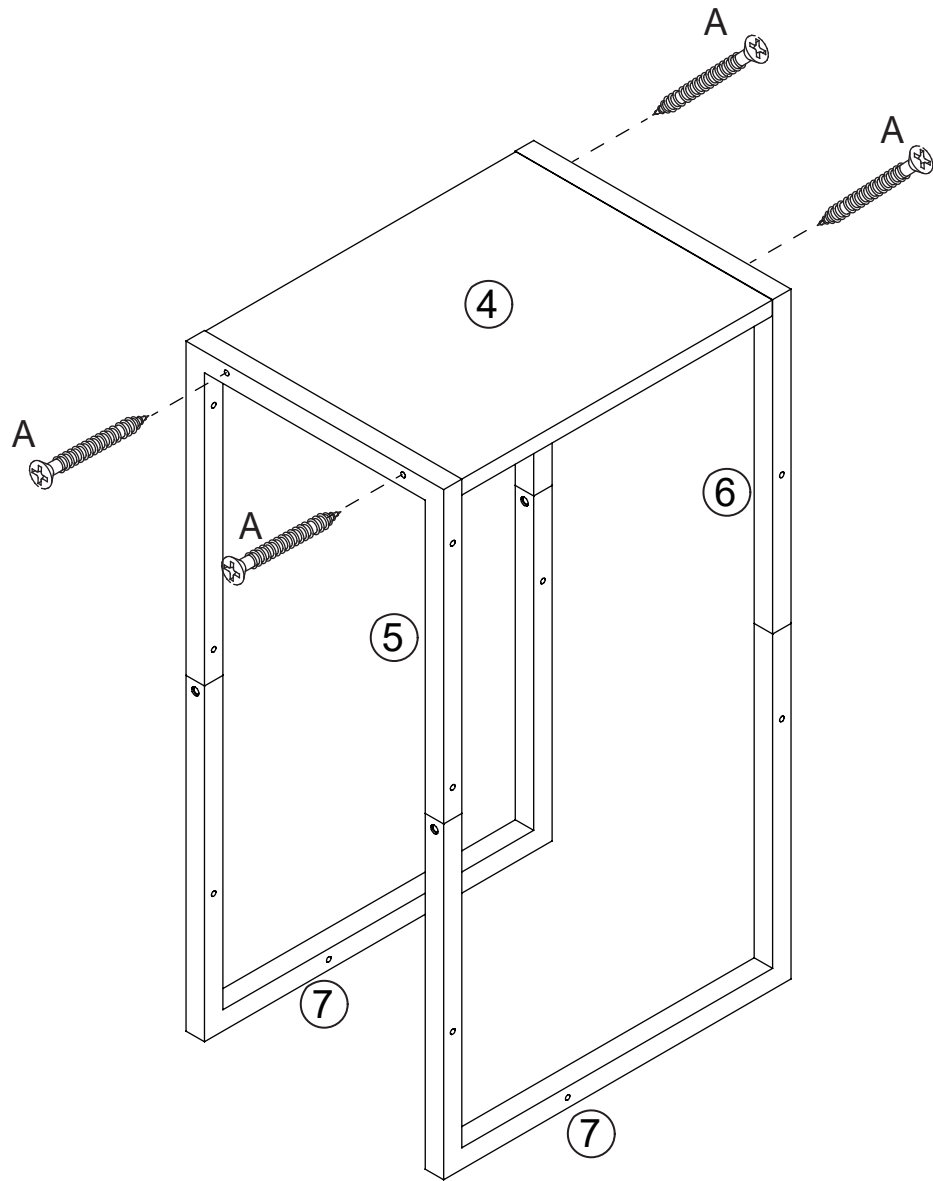


Step 7



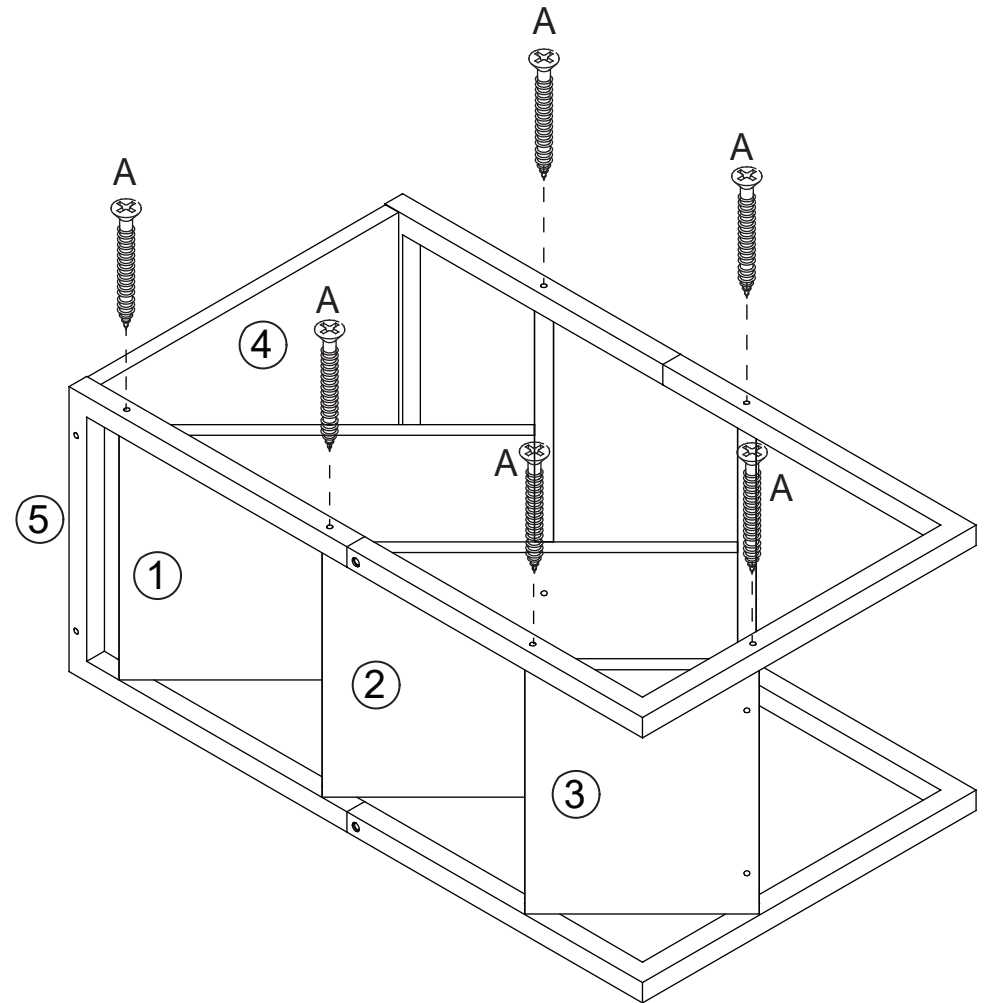
B=4

Step 8



A=4

Step 9

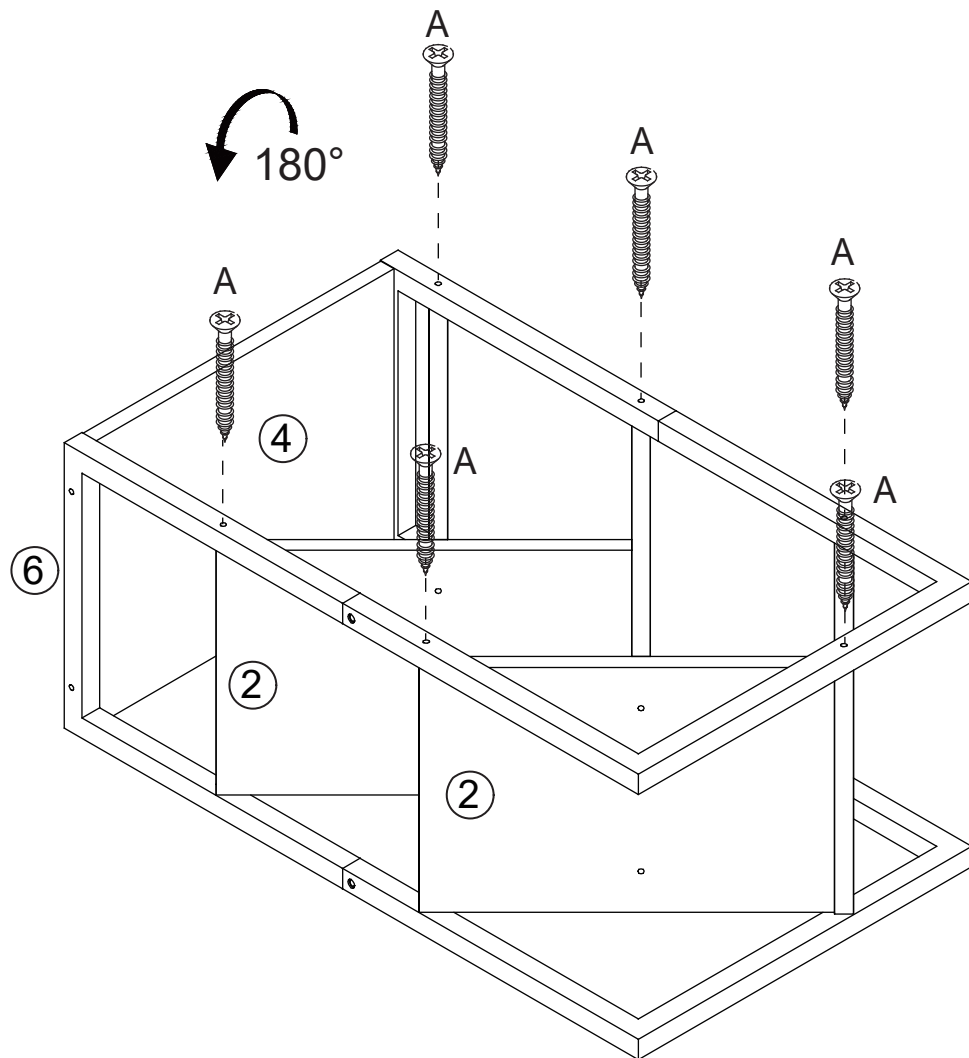


A=6

Step 10

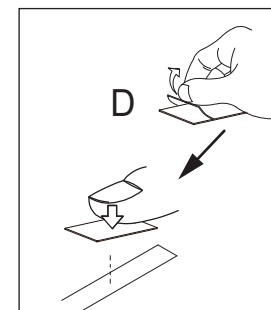
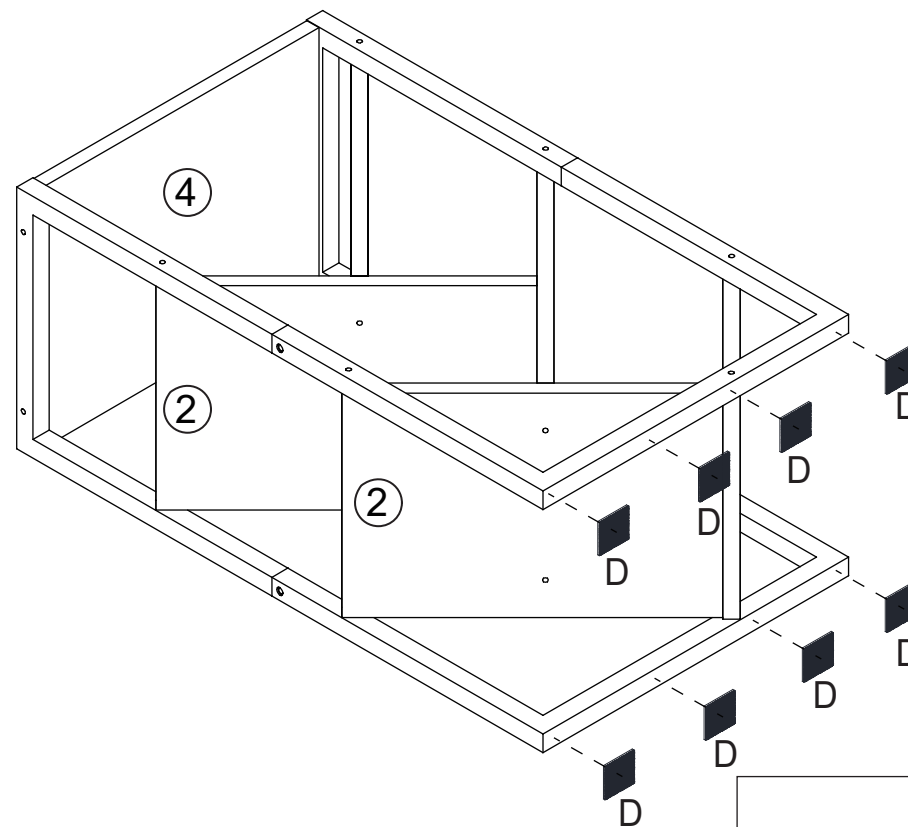
Please flip carefully!

It's better if two people work together on this step.



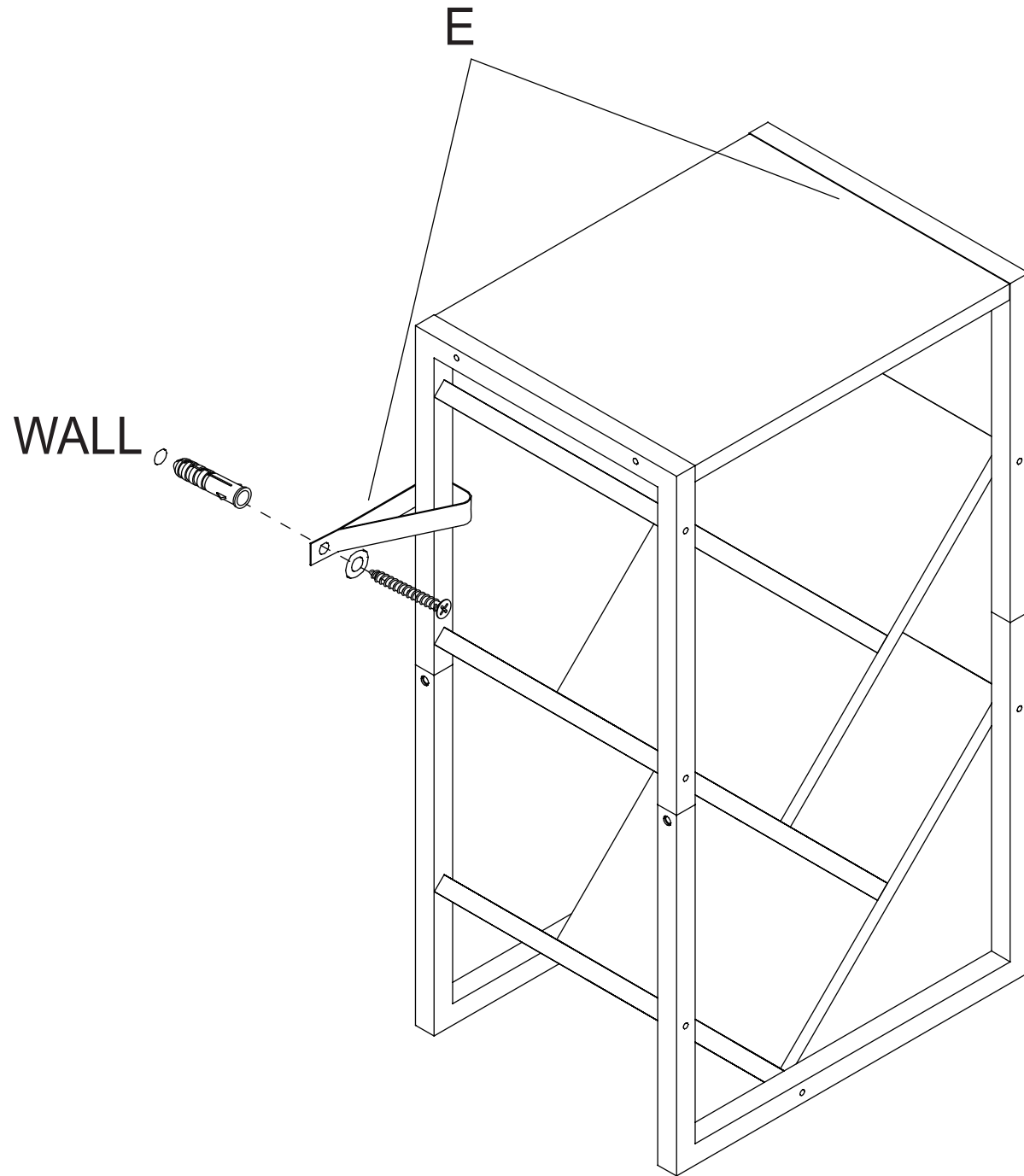
There are screws on the back of the furniture.
Before turning 180 °, please lay empty carton, carpet, or rug on the ground.

A=6

Step 11

D=8

Step 12



Step 13

