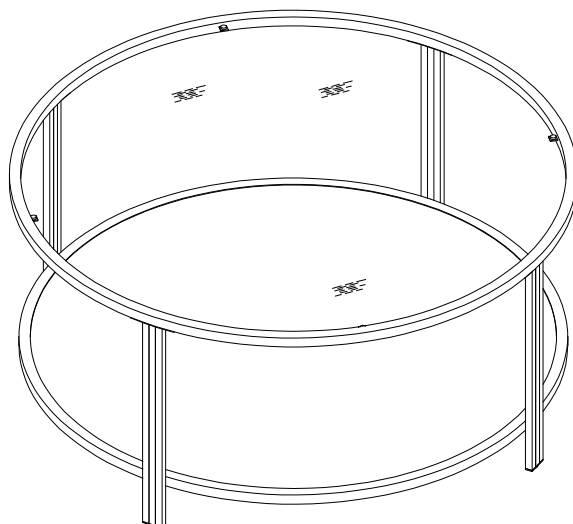
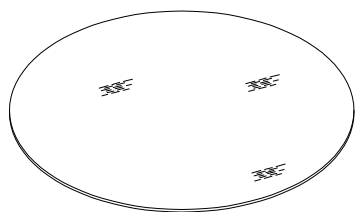


ASSEMBLY INSTRUCTION

P1

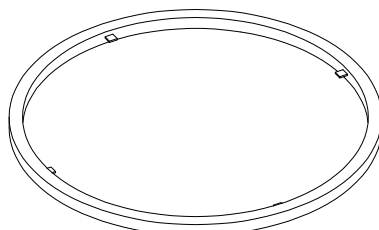


1



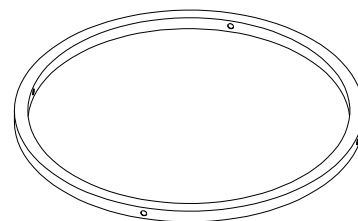
1PC

2



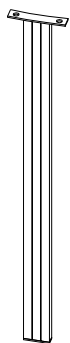
1PC

3



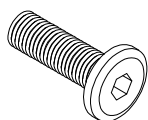
1PC

4



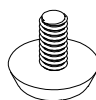
4PCS

A



$\frac{1}{4}$ "*12mm
8PCS

B



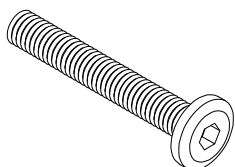
D12*10mm
4PCS

C



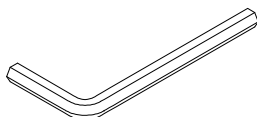
D10*3mm
4PCS

D



$\frac{1}{4}$ "*25mm
4PCS

E

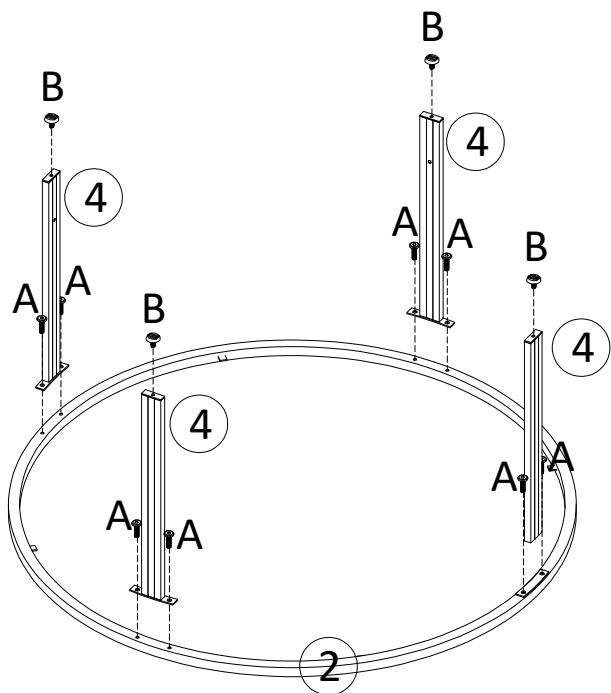
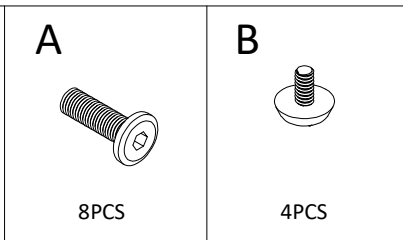


M4
1PC

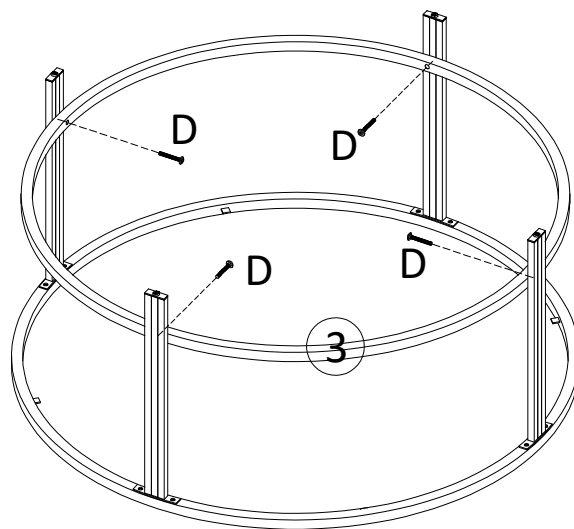
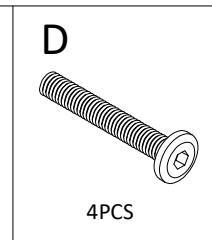
ASSEMBLY INSTRUCTION

P2

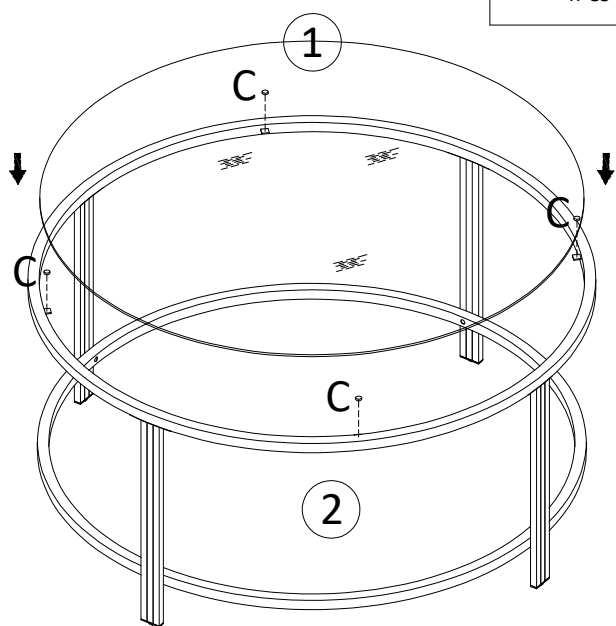
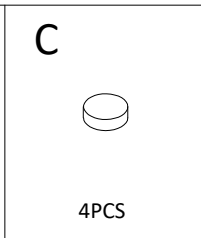
Step 1



Step 2



Step 3



Step 4

