











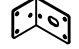


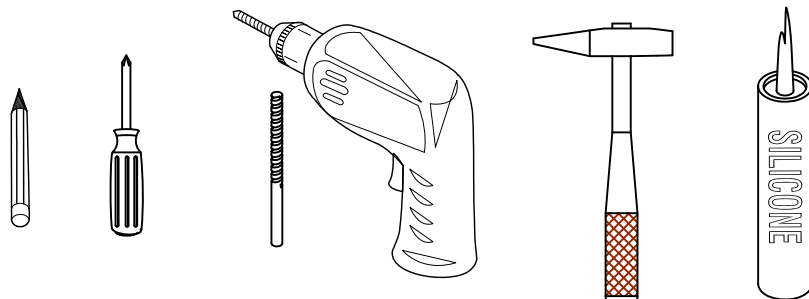


Item NO.:BV B03648

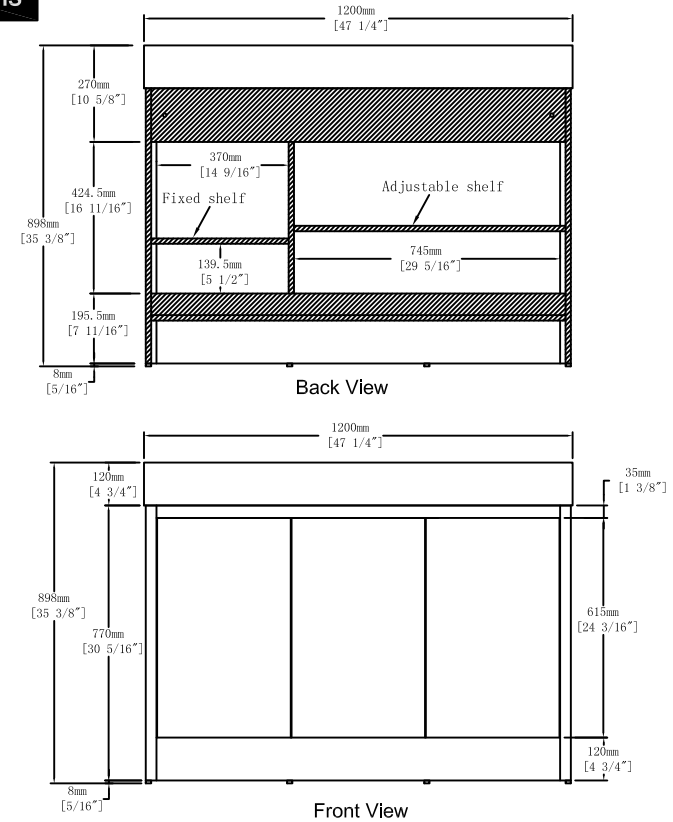
Hardware

NO.	Draw	QTY	NO.	Draw	QTY
A	 Screws Ø4x14mm	56	I	 Hinges (Internal hiding)	4
B	 Two-in-one connector	37	J	 Hinges (Half cover)	2
C	 Two-in-one connector	37	K	 Screws Ø4x25mm	1
D	 Wood plug	7	L	 Anti-collision gasket	6
E	 Plastic anchor(Ø10mm)	2	M	 Movable laminate support	4
F	 Screws for fix on the wall	2	N	 Adjustable feet	6
G	 Bracket (53x70x44mm)	2	O	 Screwdriver	1
H	 Bracket (19x19x35mm)	2			

Recommended tools



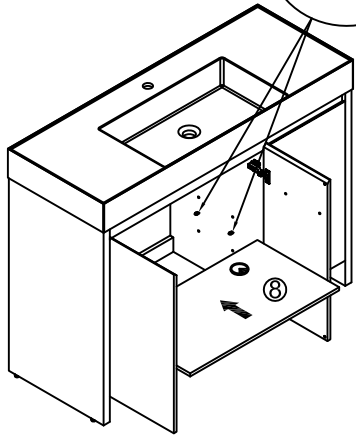
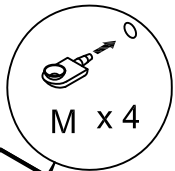
Dimensions



CARE CLEANING AND MAINTENANCE

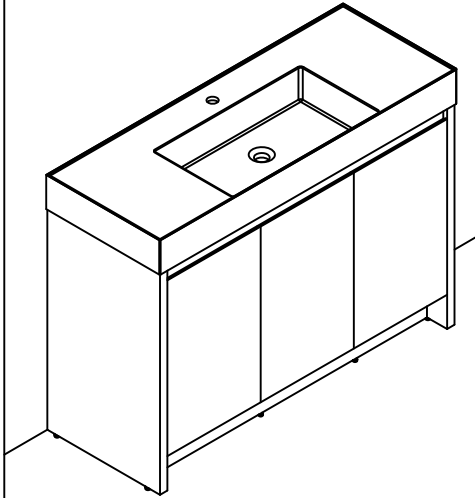
1. Dust regularly with a soft , dry cloth.
2. Avoid the use of all chemicals household cleaners, abrasives, or cleaners that contain lemon, vinegar, or other acids that may damage the finish.
3. Excessive exposure to sunlight and extreme changes in temperature and moisture can damage wood furniture.
4. The sink top is resilient, but care needs to be taken to preserve its appearance.
5. Do not place hot appliances, such as curling irons and hot hair dryers directly on the countertop. Wipe spills immediately.

Step 16



Finished

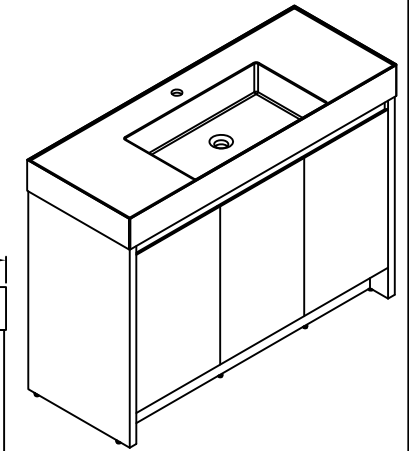
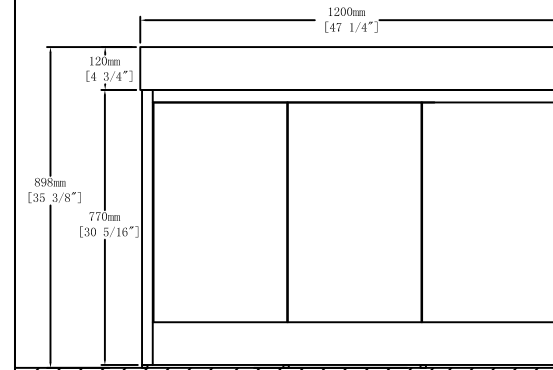
NO SINK



Notes:
The installation position can be selected according to the required height.

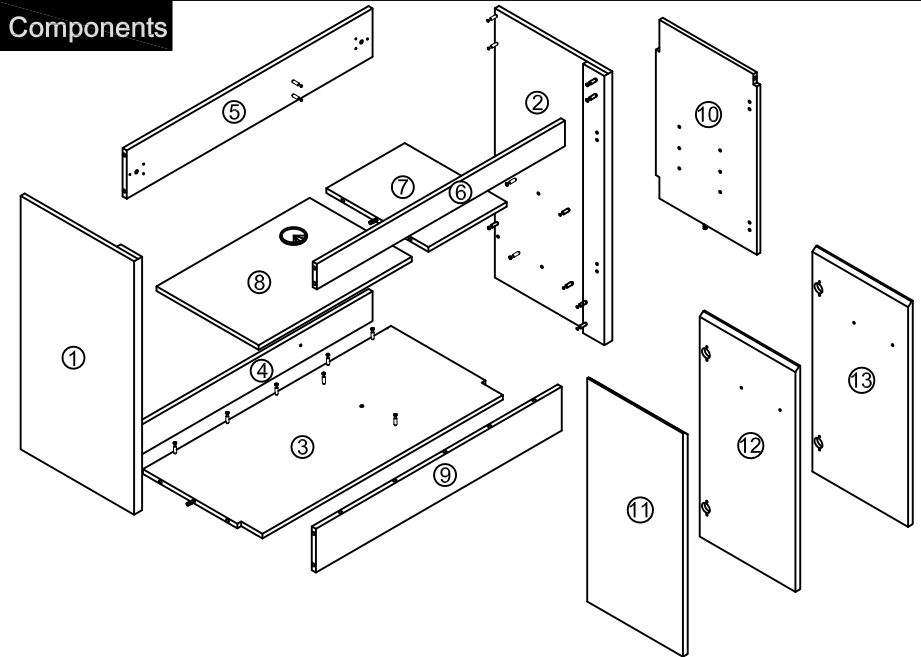
Dimensions

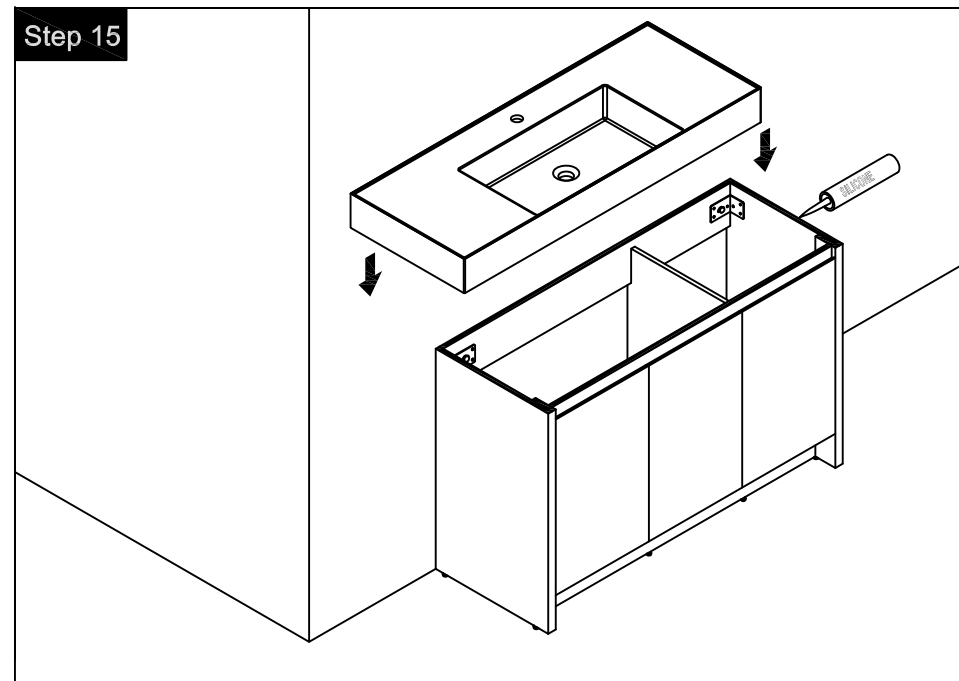
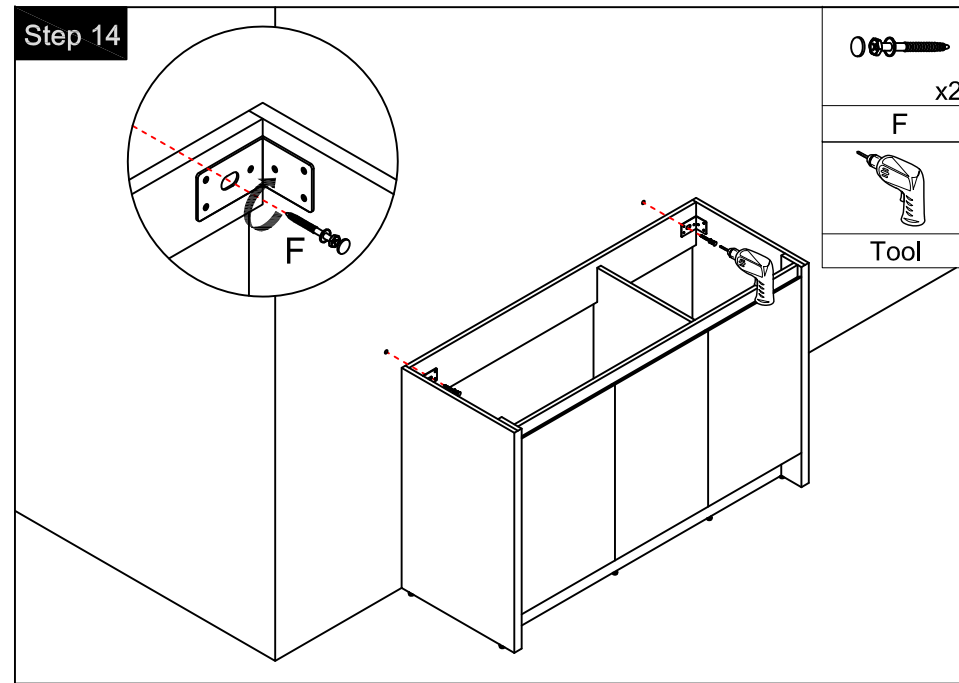
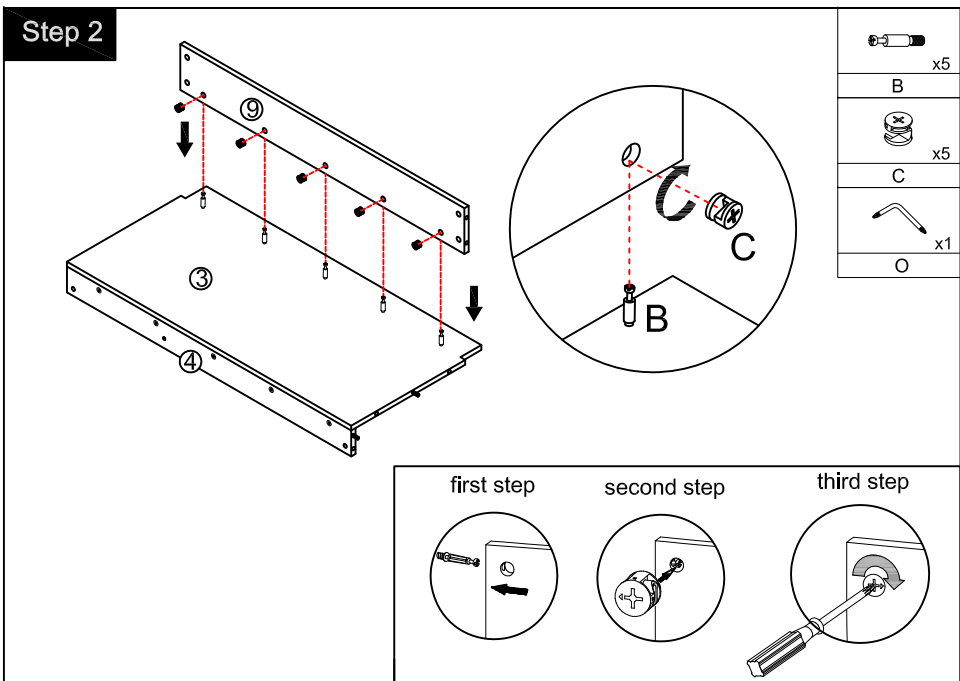
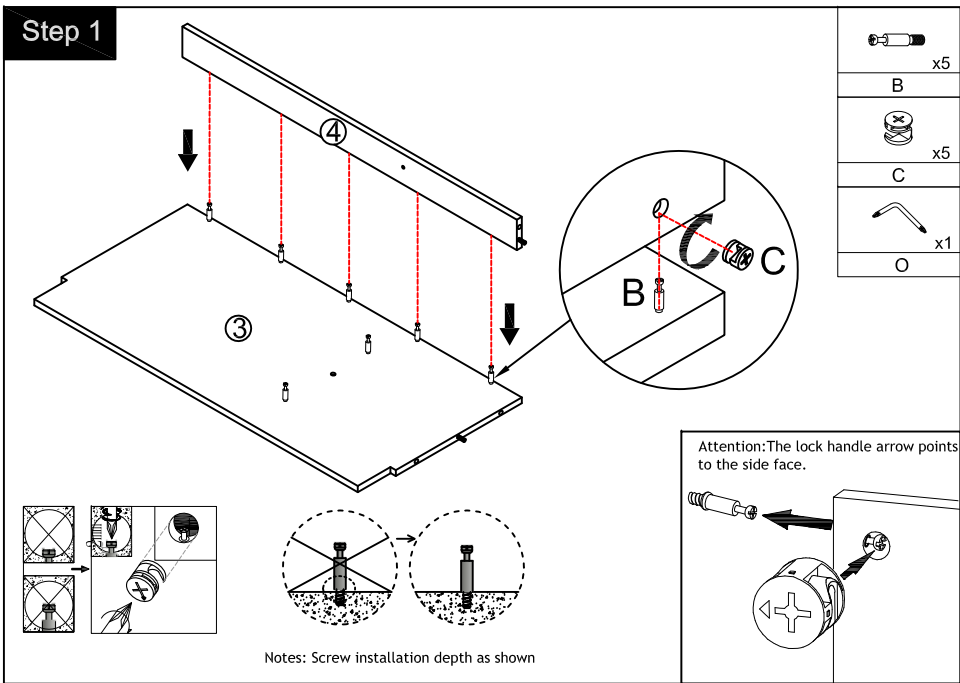
NO SINK

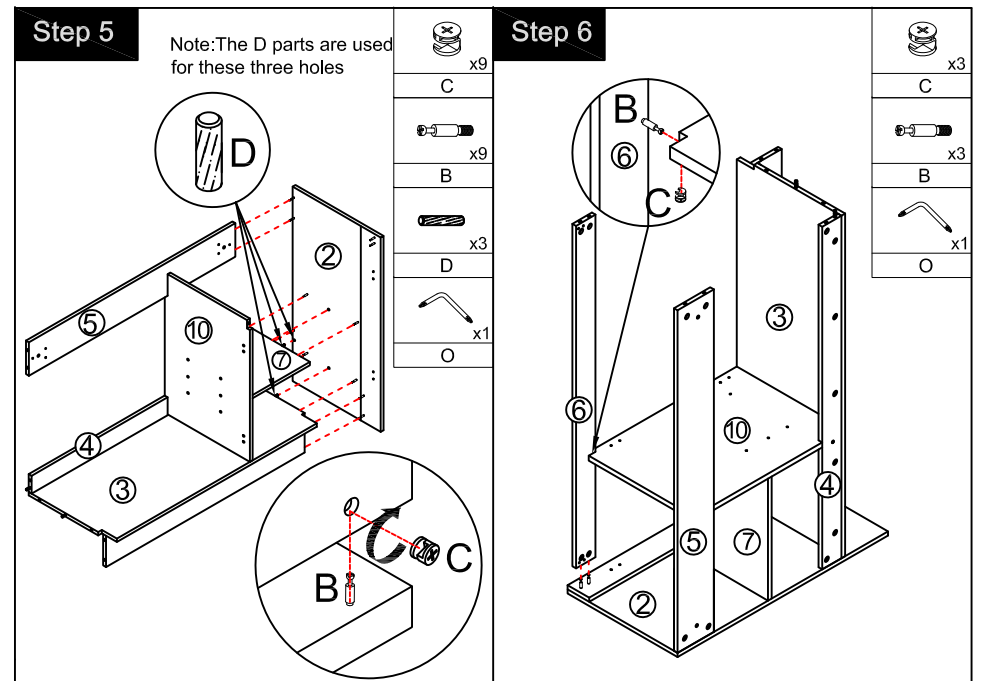
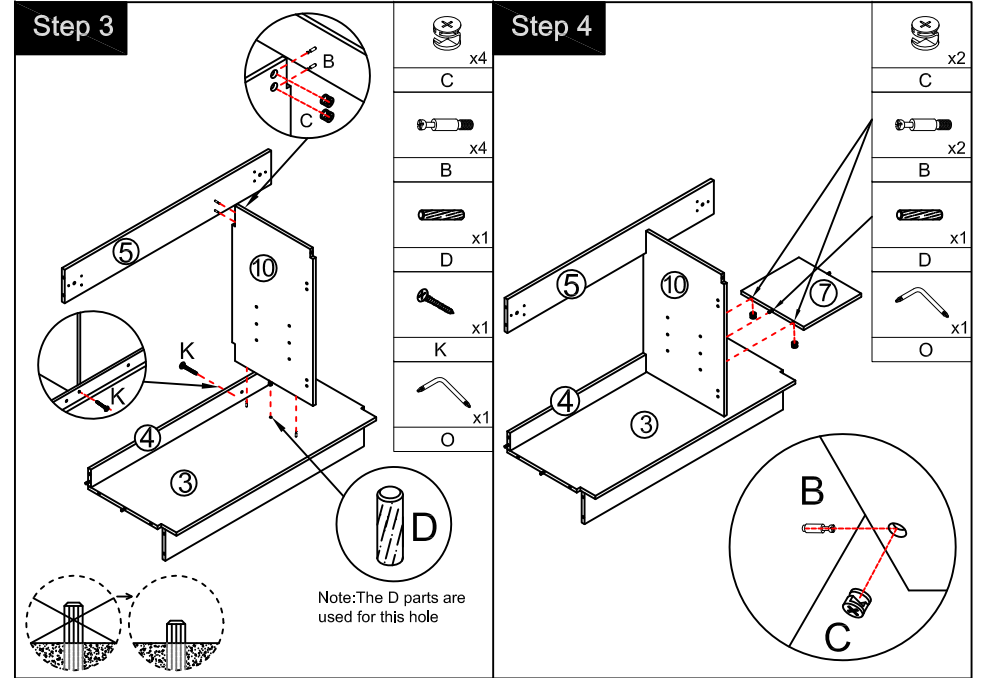
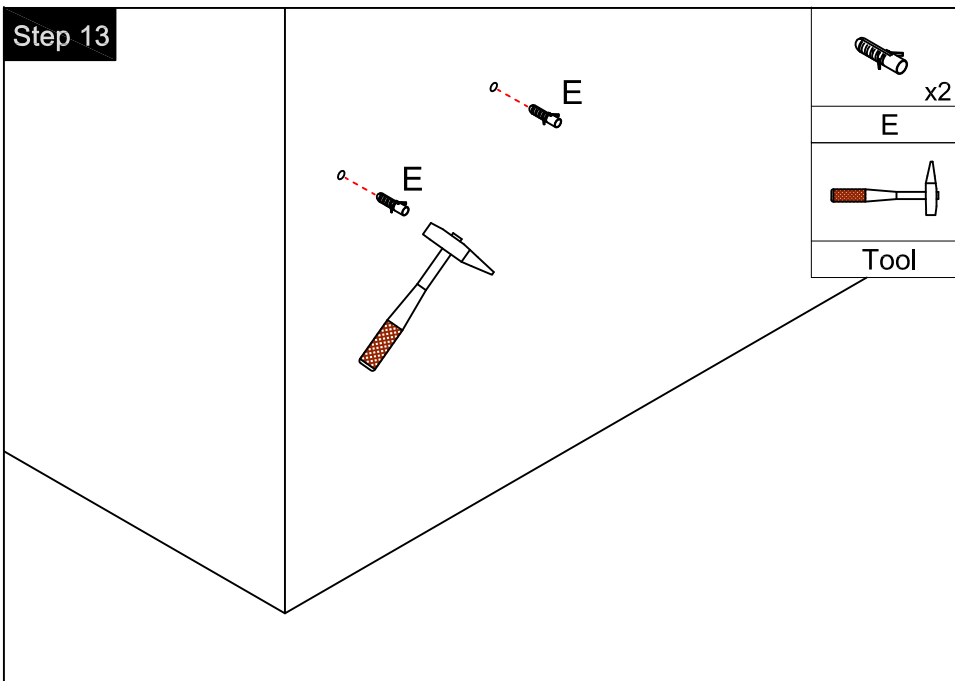
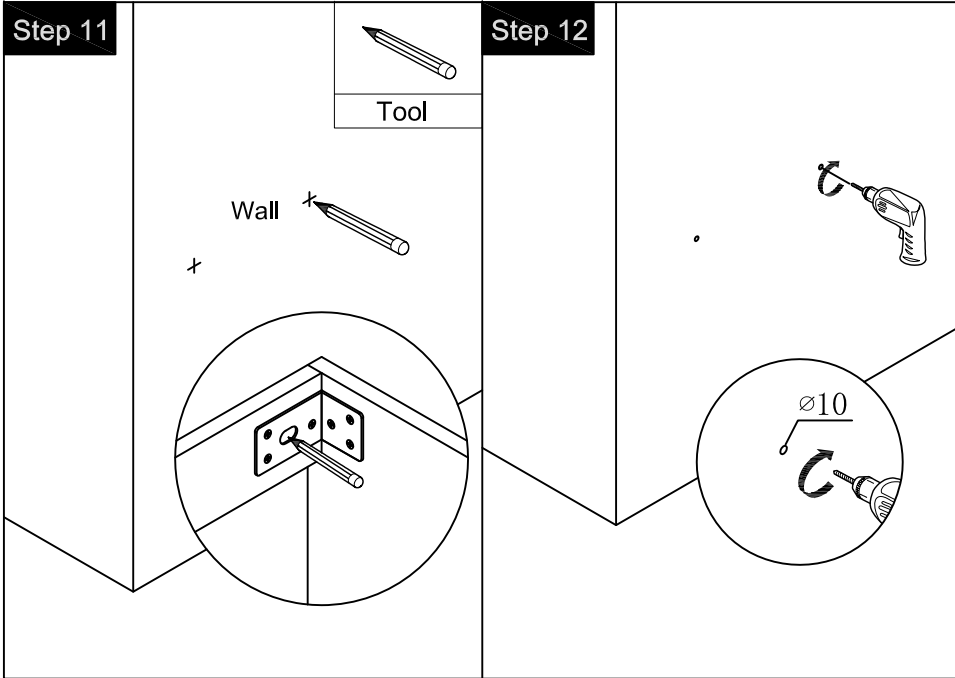


Floor

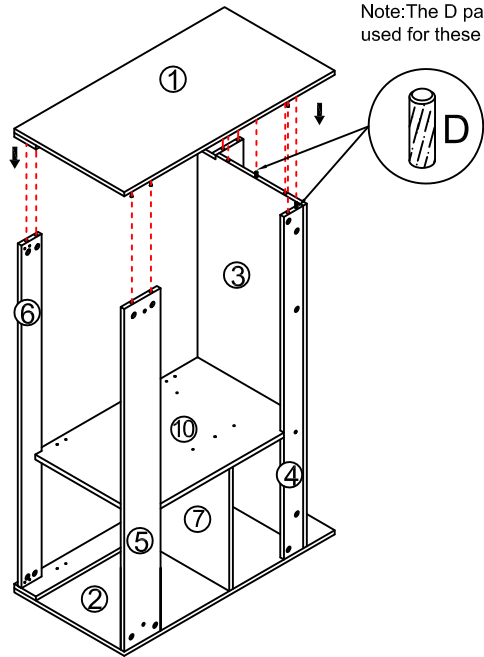
Components





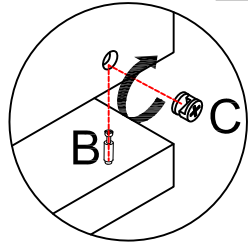


Step 7

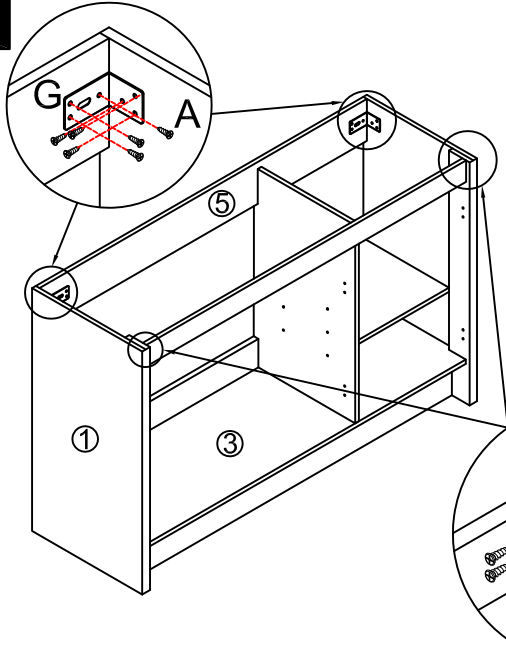


Note: The D parts are used for these two holes

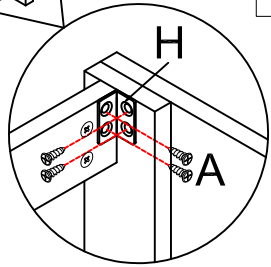
	x9
B	
	x9
C	
	x2
D	
	x1
O	



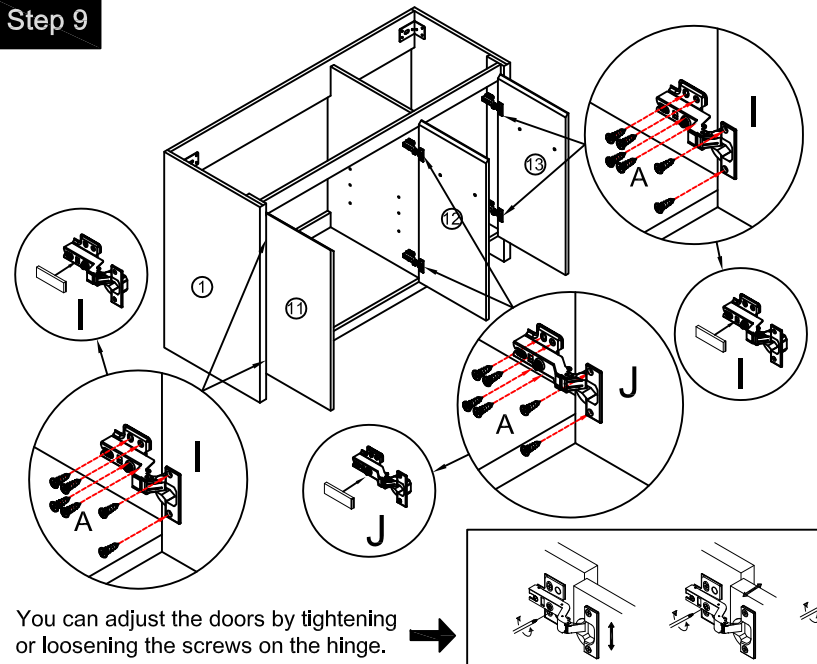
Step 8



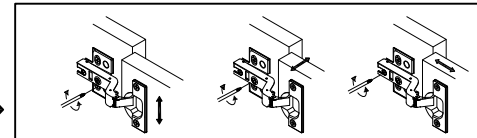
	x2
G	
	x2
H	
($\varnothing 4 \times 14\text{mm}$)	
	x20
A	
	Tool



Step 9

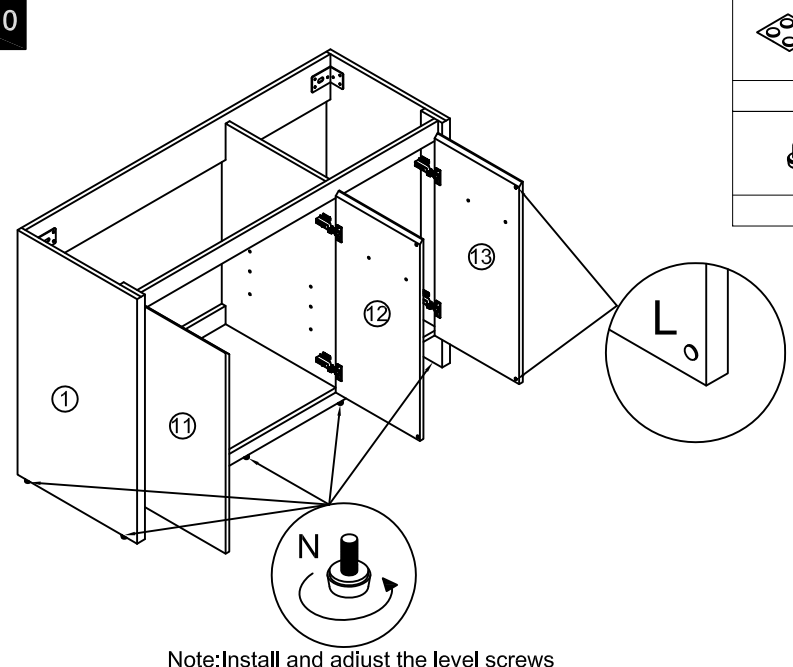


You can adjust the doors by tightening or loosening the screws on the hinge. →



	x4
I	
	x2
J	
($\varnothing 4 \times 14\text{mm}$)	
	x36
A	
	Tool

Step 10



Note: Install and adjust the level screws

	x6
L	
	x6
N	