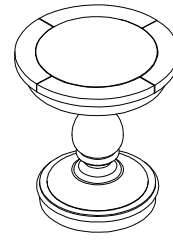


# ASSEMBLY INSTRUCTIONS



048-918

## TOOLS REQUIRED:

Allen Wrench (Provided, Part E)

## BEFORE YOU START:

1. Check the parts against the parts list to make sure all items are present.
2. Assemble your furniture on a soft, flat surface to avoid scratching the finish.
3. **CAUTION:** Do not over tighten screws, nuts or bolts during assembly.
4. Your furniture may require occasional tightening.

## INSTRUCTIONS:

1. Turn the table upside down on a clean soft surface.
2. Remove the board stretcher as shown in Figure 1.
3. Attach the board stretcher to the Post using the Bolt, Lock Washer, Flat Washer of in Figure 1, and the Allen Wrench (E). As shown in Figure 2.
4. Attach Post to the top using the Bolt (A), Lock Washer (C), Flat Washer (D) and the Allen Wrench (E). As shown in Figure 3.
5. Attach bottom panel to the Post using the Bolt (B), Lock Washer (C), Flat Washer (D) and the Allen Wrench (E). As shown in Figure 4
6. Tighten all bolts before using the table.

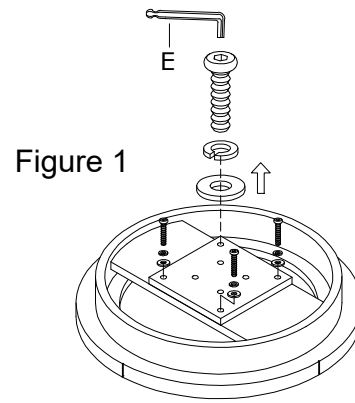


Figure 1

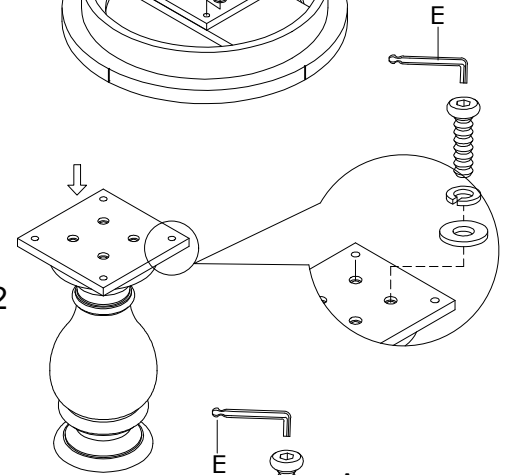


Figure 2

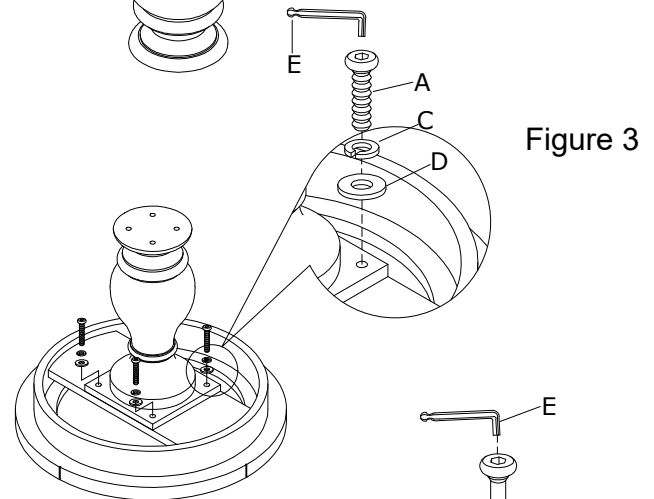


Figure 3

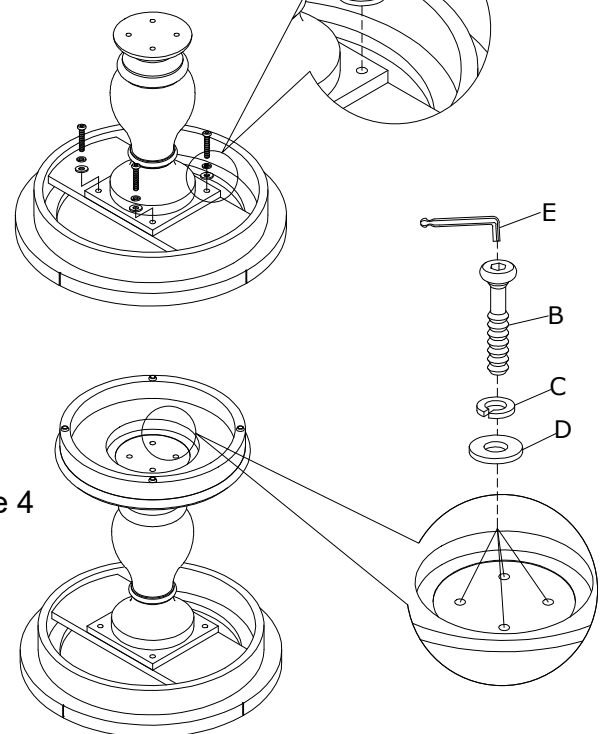

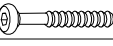
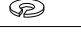




Figure 4

No.	Hardware List		Q'ty
A		Bolt Ø5/16 "1-1/2 "	4pcs
B		Bolt Ø5/16 "x3 "	4pcs
C		Lock Washer Ø5/16"	8pcs
D		Flat Washer Ø5/16"*19mm	8pcs
E		Allen Wrench 4MM	1pc