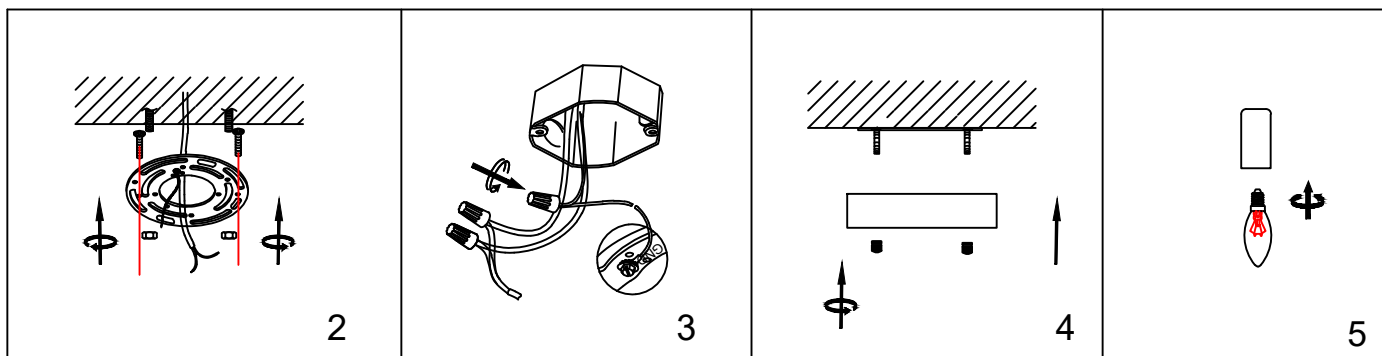
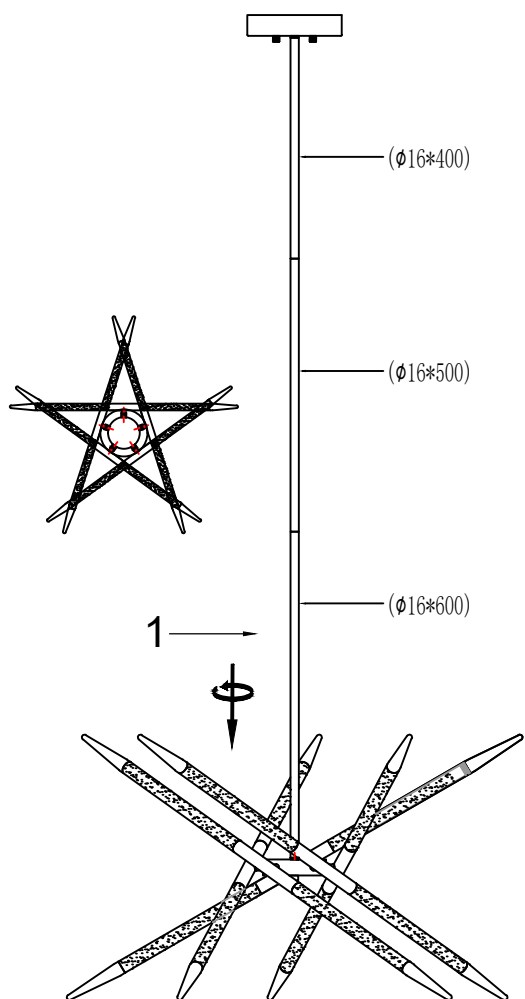


ASSEMBLY INSTRUCTIONS



REF/SKU : CH104

Light Source: 10*LED 1.5W



Installation Program

1. Connect the straight tube to the lamp body.
2. Fix the hanging board on the ceiling with screws.
3. Connect the wires, install the canopy and the lamp body to screw on the hanging plate
4. Install socket in turn.
5. Adjust the lamp arm to a proper angle and try to light it.

ATTENTIONS



WARNINGS

1. Do not disassemble this products
2. Do not strike or shake strongly
3. Do not wipe with ethyl alcohol, gasoline or paint thinners etc.

Assembling Attentions:

1. Components should be on desk, without any defect or out of shape.
2. The bearing of mounting plate should be enough for the lamp, expansion screw is needed for big chandeliers.
3. Once wight of chandelier is over 3kg, it should be fix with Embedded chain hoist to make sure not pressure to wire
4. Incandescent light bulb can not be installed to combustibile hook directly, can not cling to fabric shade, power can not higher than maximum marked on lamp.

Call : 1-770-416-8188

<https://ella-home.com>