

# *ASSEMBLY INSTRUCTIONS*



*BAR UNIT*

# ASSEMBLY INSTRUCTIONS

## ASSEMBLY TIPS:

1. Remove hardware from box and sort by size.
2. Please check to see that all hardware and parts are present prior to start of assembly.
3. Please follow attached instructions in the same sequence as numbered to assure fast & easy assembly.



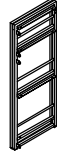
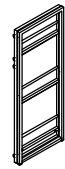


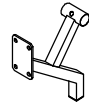
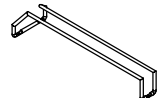
### WARNING!

1. Don't attempt to repair or modify parts that are broken or defective. Please contact the store immediately.
2. This product is for home use only and not intended for commercial establishments.



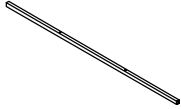
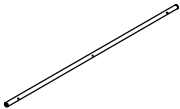
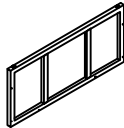
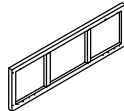
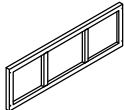
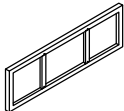

ASSEMBLY TIME 60 MINUTES

## PARTS IDENTIFICATION

A	RIGHT FRAME		1PC
B	LEFT FRAME		1PC
C	VENTILATION PANEL		1PC
D	TOP CROSSBAR		1PC
E	SUPPORT LEG		3PCS
F	GLASS HOLDER		4PCS

# ASSEMBLY INSTRUCTIONS

## PARTS IDENTIFICATION







G	BOTTOM CROSSBAR		2PCS
H	FOOTREST		1PC
I	TOP PANEL		1PC
J	UPPER PANEL		1PC
K	LOWER PANEL		1PC
L	BOTTOM PANEL		1PC
M	FRONT TOP PANEL		1PC

# ASSEMBLY INSTRUCTIONS

## PARTS IDENTIFICATION

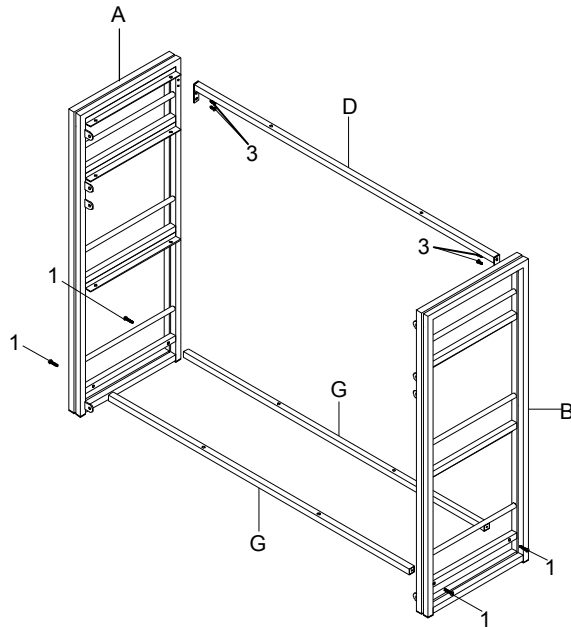
N	FRONT BOTTOM PANEL		1PC
---	--------------------	---	-----

## HARDWARE IDENTIFICATION

1	LONG BOLT (1/4" x 42mm BLK)		4PCS
2	MEDIUM (1/4" x 28mm BLK)		12PCS
3	SHORT BOLT (1/4" x 12mm BLK)		36PCS
4	SMALL BOLT (1/4" x 12mm BLK)		3PCS
5	SCREW (4 x 12mm BLK)		12PCS
6	ALLEN WRENCH (4mm)		1PC

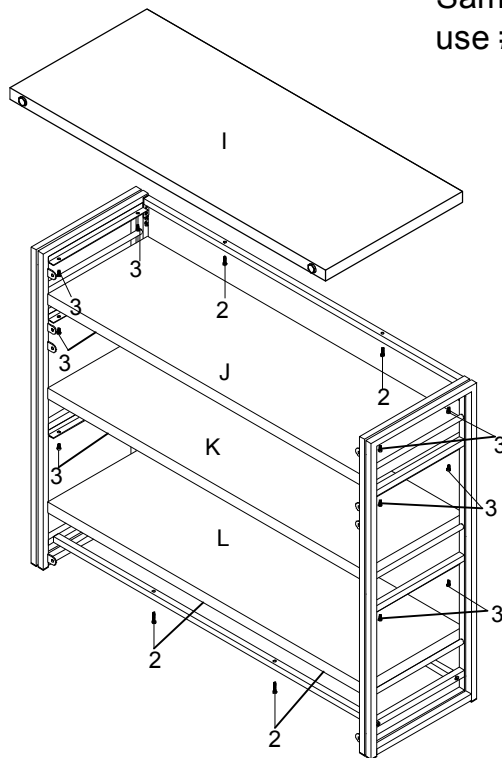
# ASSEMBLY INSTRUCTIONS

**STEP 1** Do not tighten until each step is completed or instructed.



## STEP 2

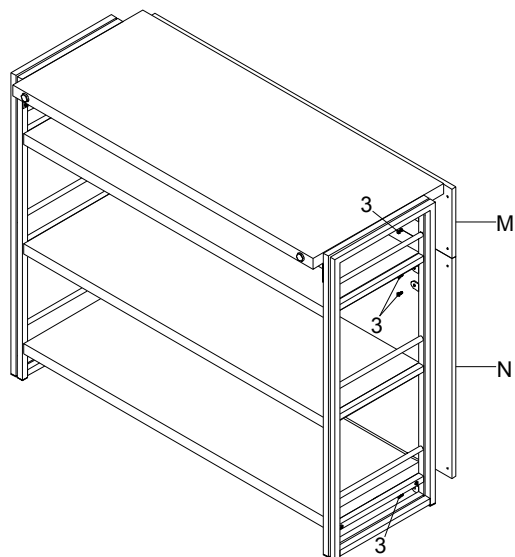
Same as the other side, to use #3 6pcs to assemble.



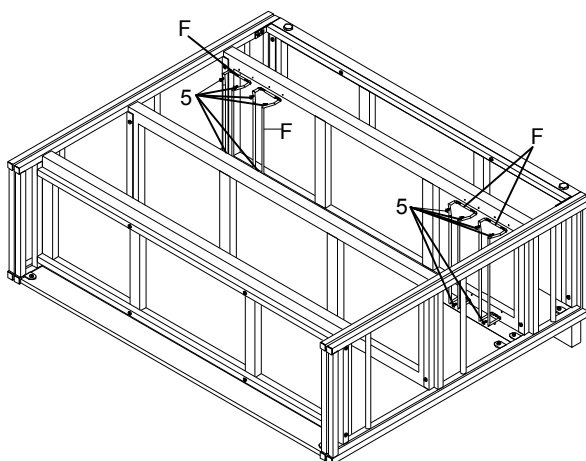
# ASSEMBLY INSTRUCTIONS

## STEP 3

Same as the other side, to use #3 4pcs to assemble.

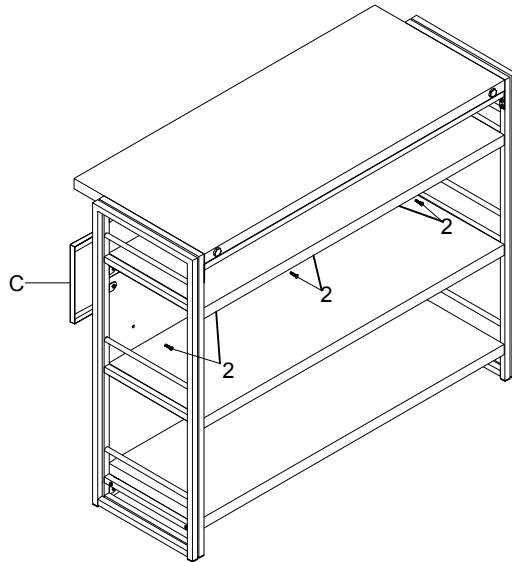


## STEP 4

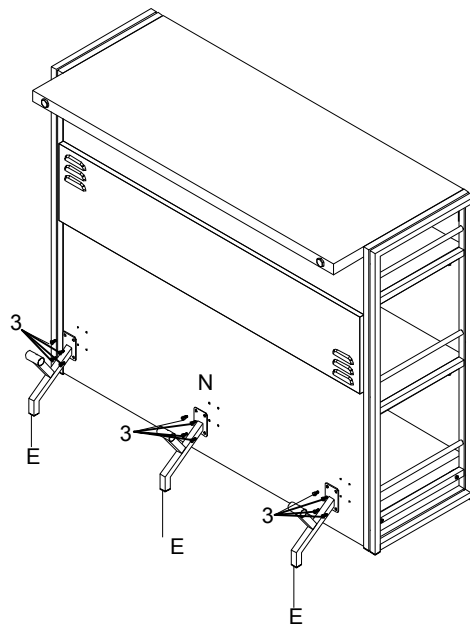


# ASSEMBLY INSTRUCTIONS

## STEP 5

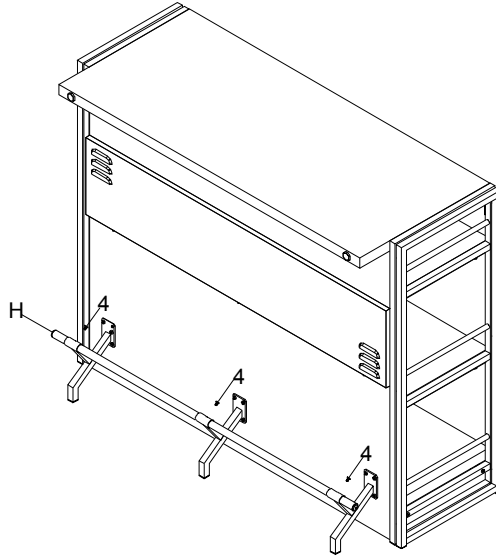


## STEP 6



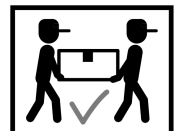
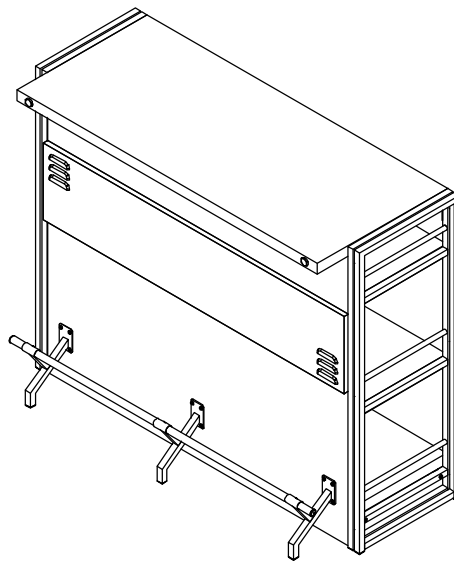
# ASSEMBLY INSTRUCTIONS

## STEP 7



## STEP 8

### COMPLETE



# ASSEMBLY INSTRUCTIONS

Product Size : 1302 X 521 X 1041 H (MM)  
 Product Size : 51 ¼" X 20 ½" X 41"  
 The thickness of the metal is:1.0mm

