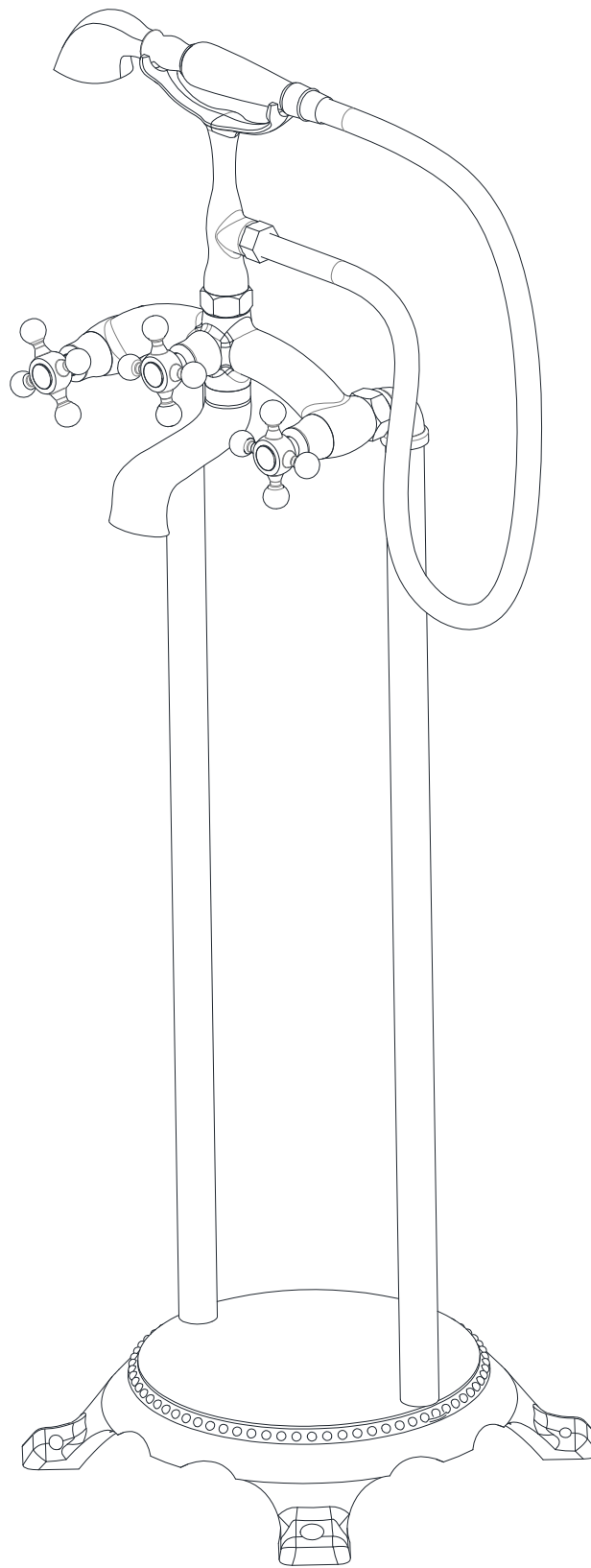


**DATASHEET**



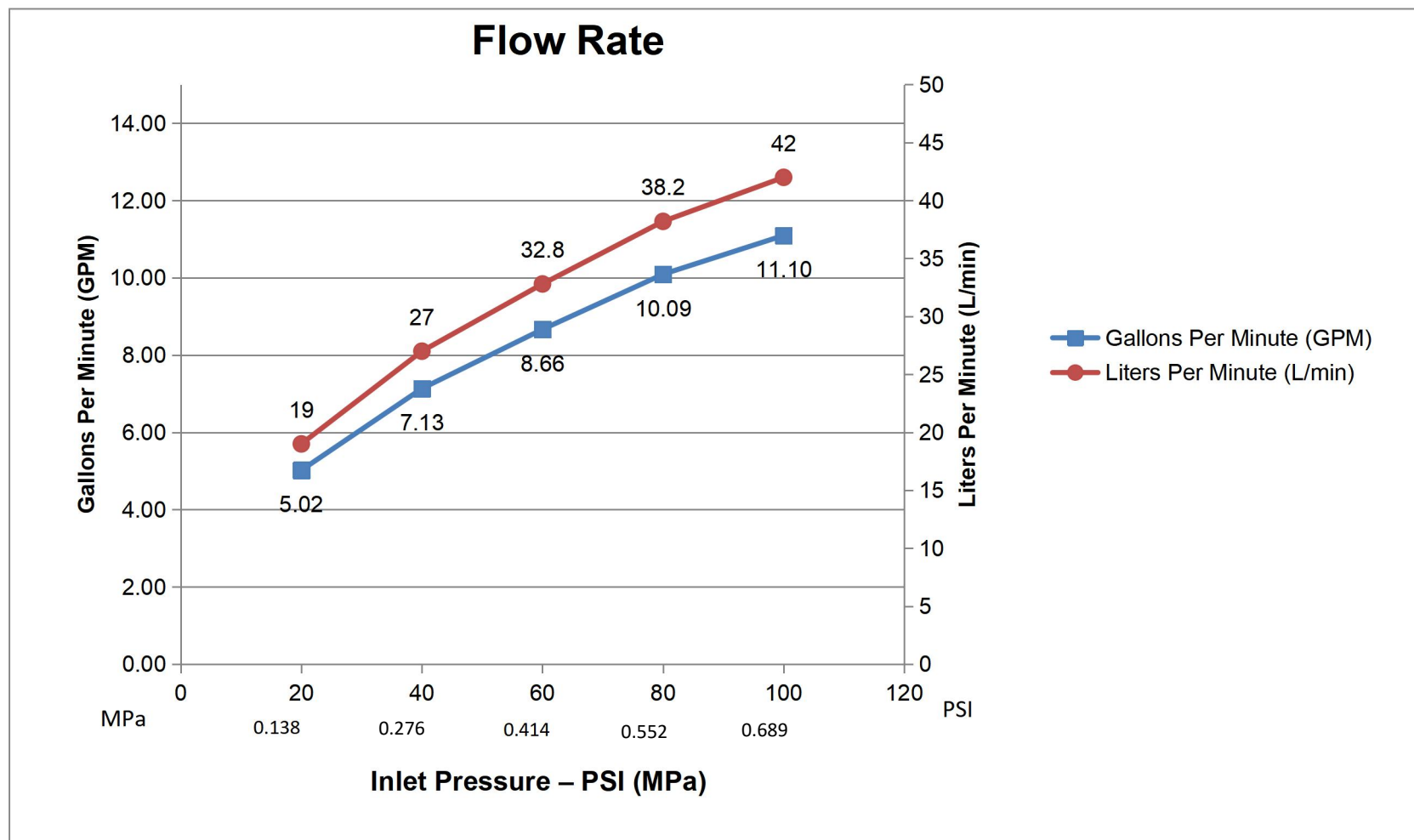
**FLOOR MOUNT TUB FILLER FAUCET**

MODEL	FINISH
S2159FW-CH	CHROME
S2159FW-BN	BRUSHED NICKEL
S2159FW-MB	MATTE BLACK
S2159FW-BG	BRUSHED GOLD

**CUSTOMER CARE LINE: +1-866-203-0866**

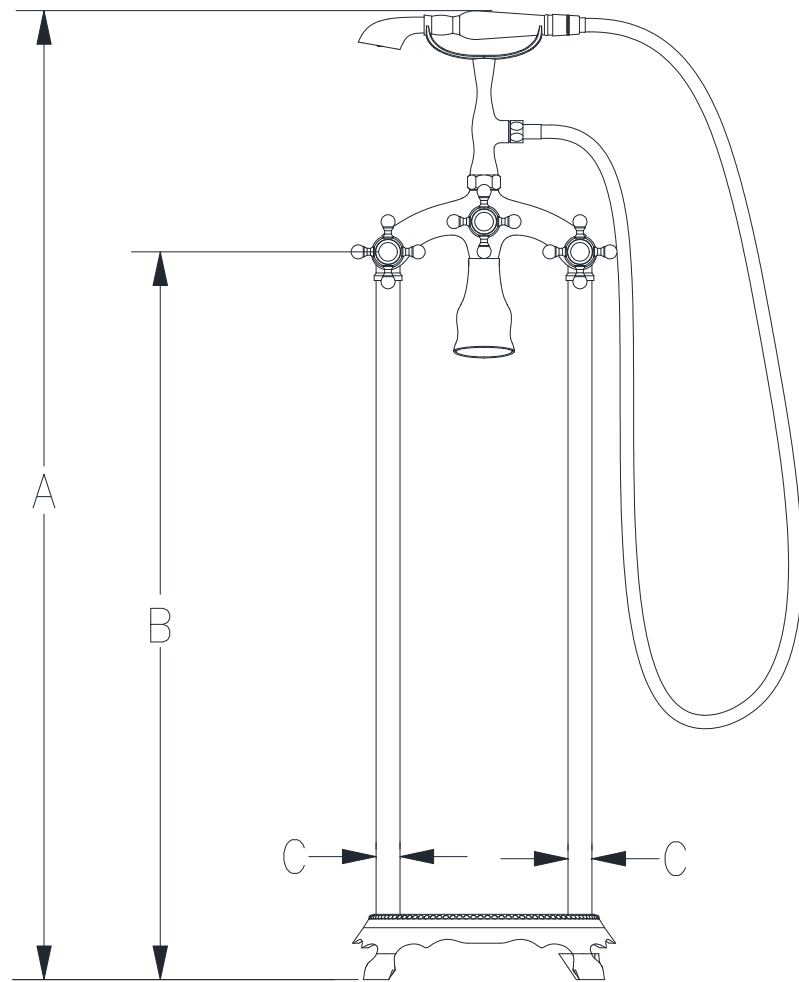
## FUNCTIONS AND SPECIFICATIONS

<b>Function</b>	Bathtub Faucet
<b>Feature</b>	Floor Mounted, Freestanding
<b>Theme</b>	Antique
<b>Finish</b>	Chrome/Brushed Nickel/Matte Black/Brushed Gold
<b>Number Of Handles</b>	Three
<b>Handle Style</b>	Rotating
<b>Primary Material</b>	Brass
<b>Mounting Hardware Included</b>	Yes
<b>Diverter Included</b>	Yes
<b>Handheld Shower Included</b>	Yes
<b>Valve Included</b>	Yes
<b>Hand Shower Material</b>	ASSEMBLY
<b>Shower Hose Included</b>	Yes
<b>Hose Material</b>	ASSEMBLY
<b>Faucet Total Height</b>	39-3/4" [1009mm]
<b>Spout Reach</b>	5-29/32" [150mm]
<b>Spout Height</b>	25-3/4" [653.5mm]
<b>Valve Type</b>	Ceramic Disc
<b>Handle Material</b>	Metal
<b>Net Weight</b>	5.93KG [13.07 lbs]
<b>Gross Weight</b>	7.28KG [16.05 lbs]
<b>Working Water Press</b>	29~116PSI [0.2 ~0.8 MPa]
<b>Spout Flow Rate</b>	8.66GPM @ 60 PSI [32.8L/min@0.414MPa]
<b>Hand Shower Flow Rate</b>	1.8GPM@60PSI [ 6.8L/min(@0.414MPa) ]
<b>Packing Box Size</b>	31-1/8" × 14-31/32" × 6-7/8" [790mm × 380mm × 175mm]



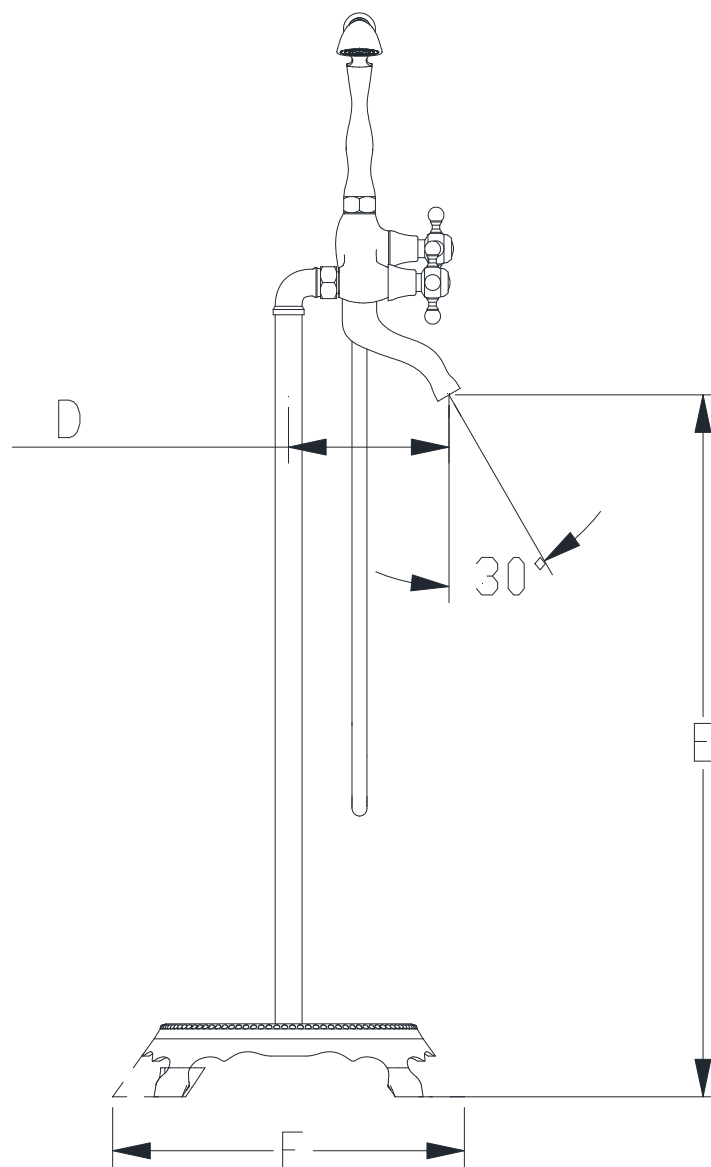
## DIMENSIONS

Code	Dimensions - Inch	Dimensions - mm
A	39-3/4"	1009
B	29-7/8"	758
C	Ø 1"	Ø 25



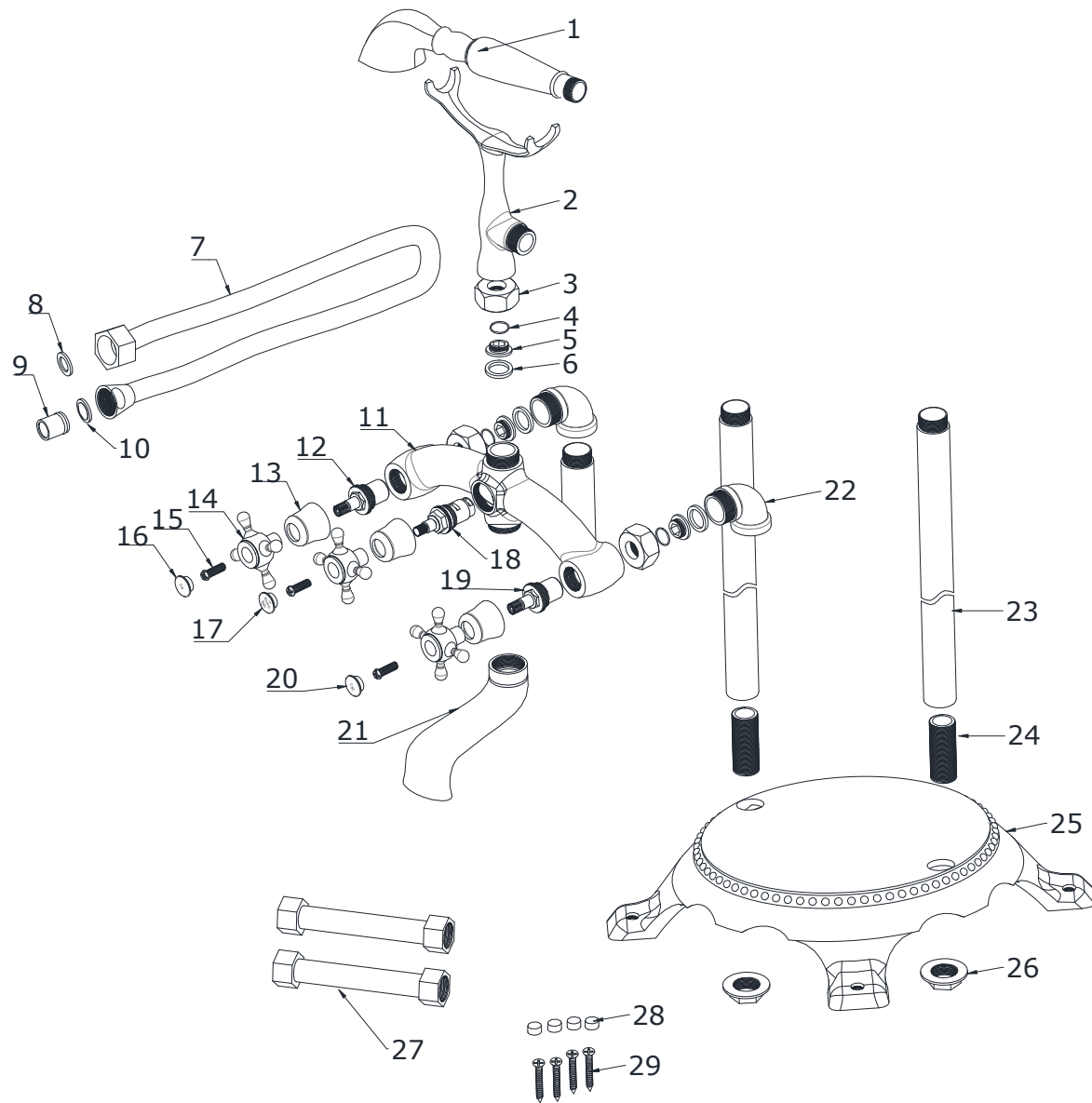
**RIGHT VIEW OF FAUCET**

Code	Dimensions - Inch	Dimensions - mm
D	5-29/32"	150
E	25-3/4"	653.5
F	Ø 13-11/16"	Ø 348



**FRONT VIEW OF FAUCET**

## EXPLOSION DIAGRAM



NO	ITEM NAME	MATERIAL	QTY	PART NO	NO	ITEM NAME	MATERIAL	QTY	PART NO
1	Handheld Shower	ASSEMBLY	1	PHS21590XX	16	Hot Button	POM	1	PSA21272XX
2	Riser Assembly	HPB59-1	1	PHH21270XX	17	Diverter Button	POM	1	PSA21271XX
3	Lock Nut	HPB59-1	3	PNT00004XX	18	Diverter Cartridge	ASSEMBLY	1	PCT00002XX
4	O-Ring	NBR	3	POR17020XX	19	Cold Disc Cartridge	ASSEMBLY	1	PCT32350XX
5	Mounting Nut	HPB59-1	3	PCN00002XX	20	Cold Button	POM	1	PSA21270XX
6	Rubber Washer	NBR	3	PRW24020XX	21	Spout	HPB59-1	1	PSP21270XX
7	Shower Hose	ASSEMBLY	1	PFH00010XX	22	Elbow Nipple	HPB59-1	2	PCN21611XX
8	Rubber Washer	NBR	1	PRW19020XX	23	Diverter Sleeve	HPB59-1	2	PPI21590XX
9	Flow Restrictor	ASSEMBLY	1	PAE00043XX	24	Shank Nipple	HPB59-1	2	PCN21610XX
10	Flow Restrictor	ASSEMBLY	1	PAE00035XX	25	Base	SUS304	1	PEC21590XX
11	Valve Body	HPB59-1	1	PVB21610XX	26	Lock Nut	HPB59-1	2	PNT00015XX
12	Hot Disc Cartridge	ASSEMBLY	1	PCT32351XX	27	Supply Hose	ASSEMBLY	2	PFH00020XX
13	Bonnet	Zn Alloy No.3	3	PFC21271XX	28	Decorative Cap	POM	4	PSA00062XX
14	Knob	Zn Alloy No.3	3	PHD21270XX	29	Set Screw	SUS304	4	PSC00007XX
15	Set Screw	SUS304	3	PSC04015XX					



North America	Asia	Europe
SUMERAIN INTERNATIONAL GROUP INC	HONGKONG SUMERAIN SANITARY INDUSTRY CO., LIMITED	SUMERAIN EUROPE SUPPORT TEAM
Add: 1226 NORTH KING ST NUM 522 WILMINGTON, DE 19801 United States	Add: FLAT/RM 3B 3/F BANK TOWER NOS.351&353 KING'S ROAD NORTH POINT,HONGKONG	Add: Flottwellstr.15 10785 Berlin, Deutschland
Tel: +1(866)203-0866	Tel: +86-750-2731579	Tel: +49 (0)30/23975898
E-mail: supports@sumerain.us	E-mail: supports@sumerain.com	E-mail: de@sumerain.com