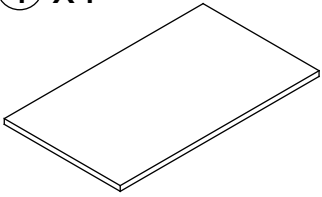
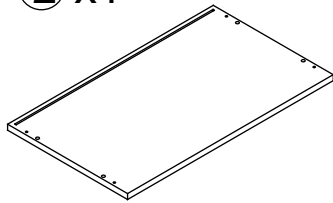
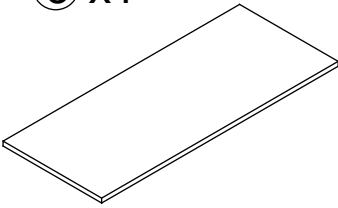
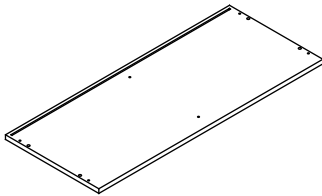
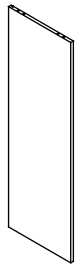
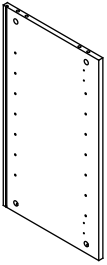
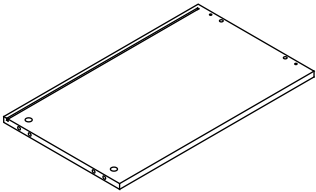
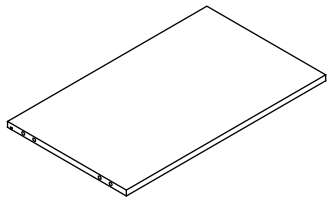
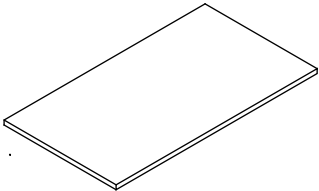
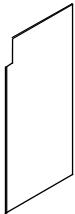
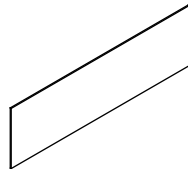

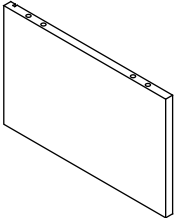
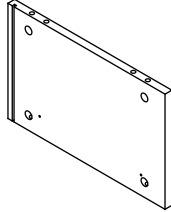
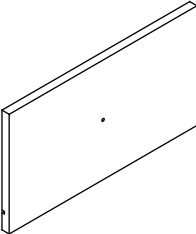
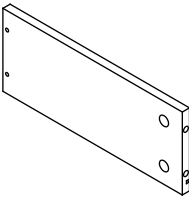
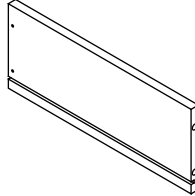
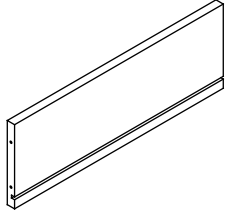
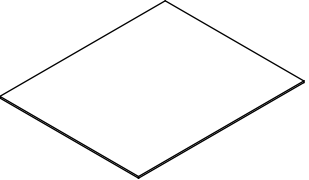
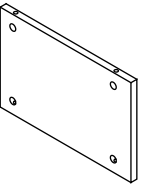
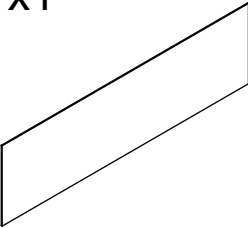

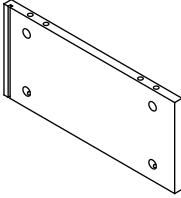
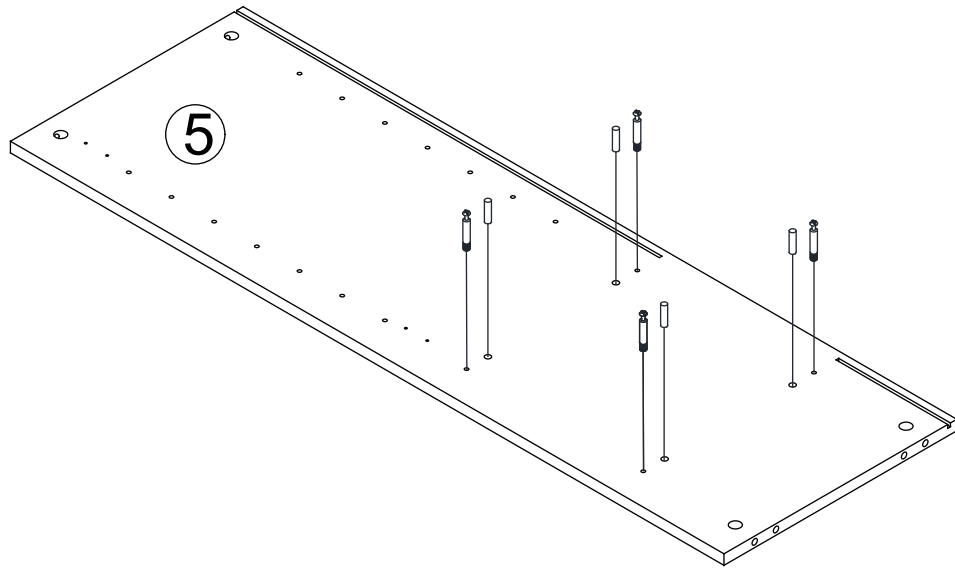
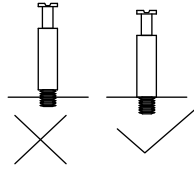
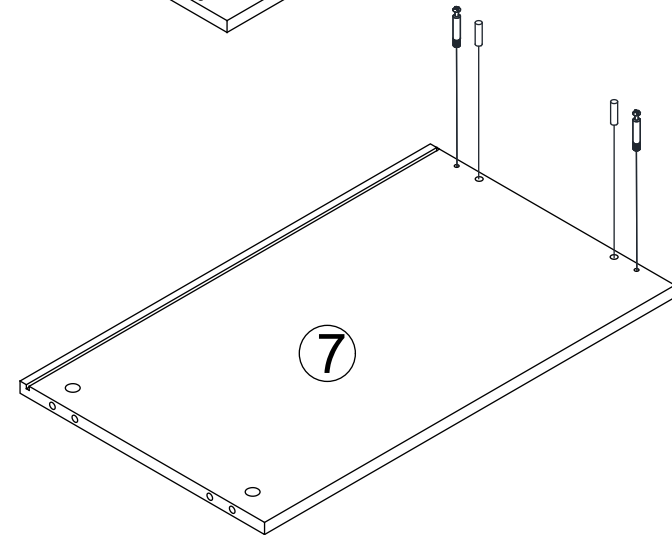
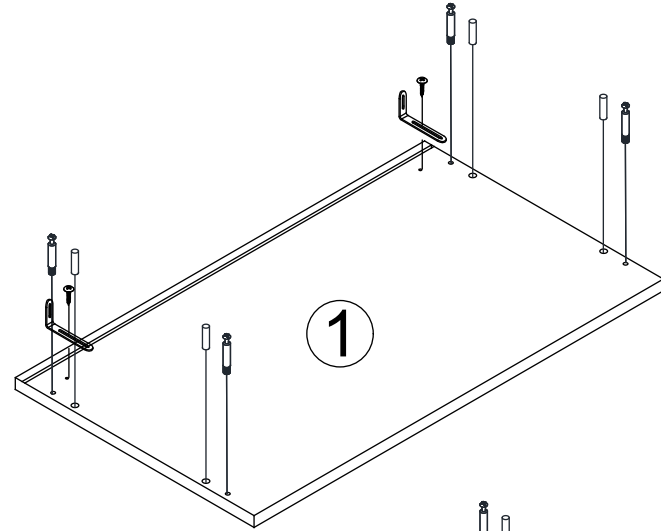


① x1 	② x1 	③ x1 	④ x1 	⑤ x1 	⑥ x1 
⑦ x1 	⑧ x1 	⑨ x9 	⑩ x2 	⑪ 	⑫ x2 
⑬ x1 	⑭ x1 	⑮ x2 	⑯ x2 	⑰ x2 	⑱ x2 
⑲ x2 	⑳ x1 	㉑ x1 	㉒ x2 	㉓ x1 	

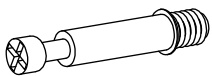
SETP 1



SETP 2



A



Ø6x35mm

x 4 pcs

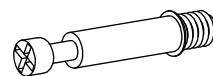
C



Ø8x30mm

x 4 pcs

A



Ø6x35mm

x 6 pcs

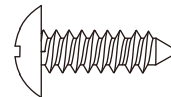
C



Ø8x30mm

x 6 pcs

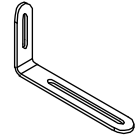
O



Ø4 x 16mm

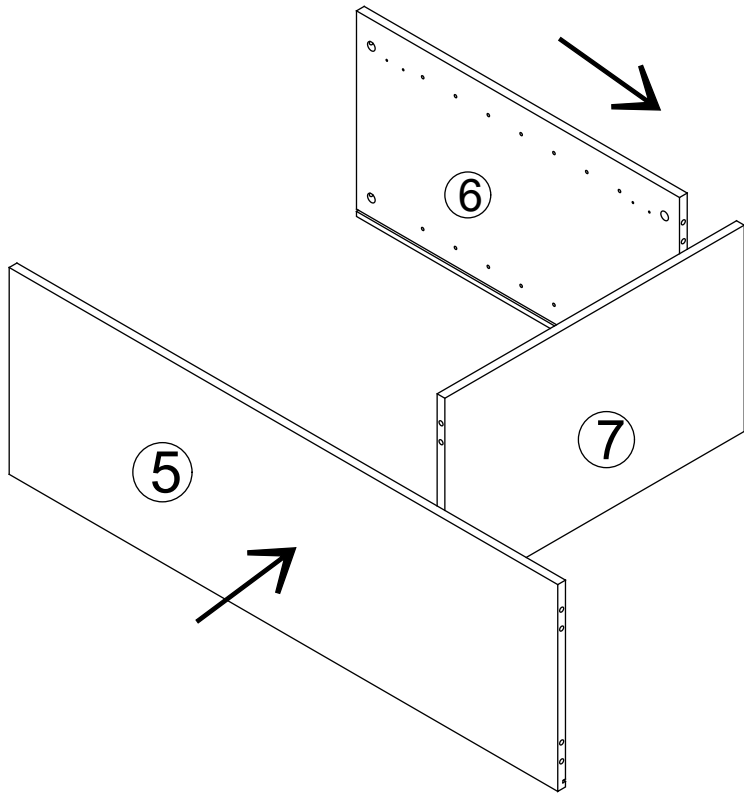
x 2 pcs

Q

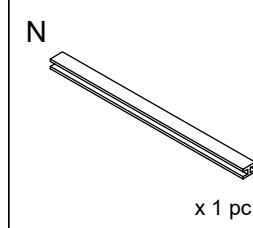
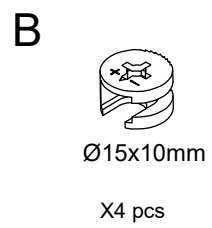
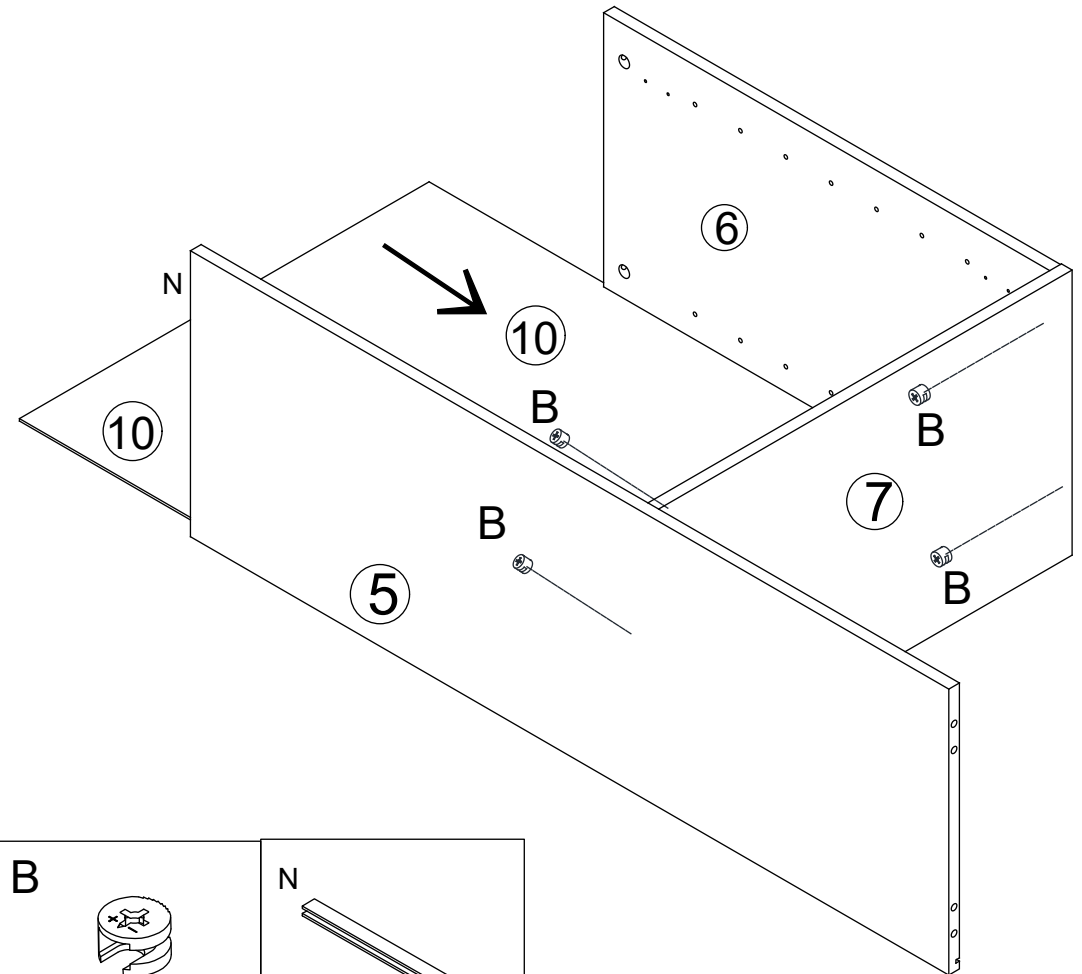
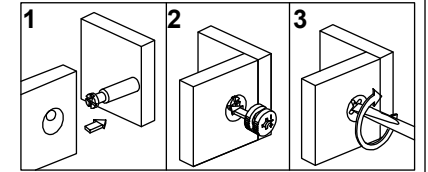


x 2 pcs

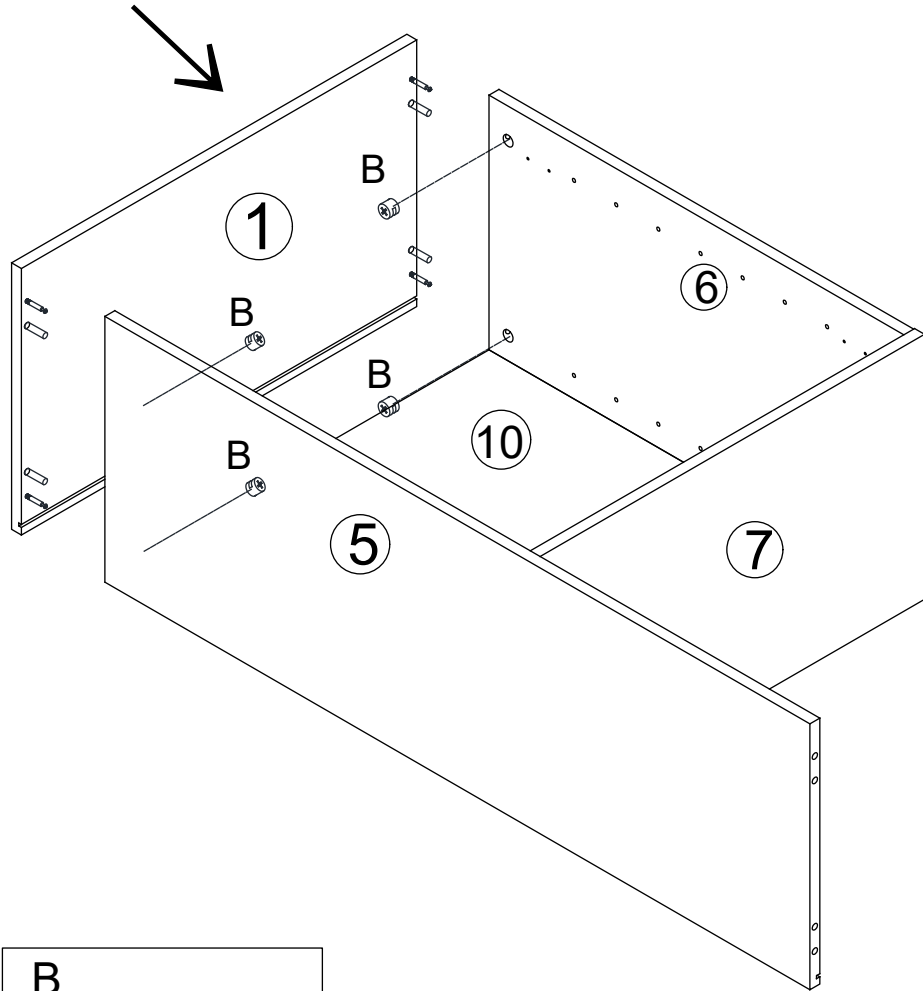
SETP 3




SETP 4



SETP 5



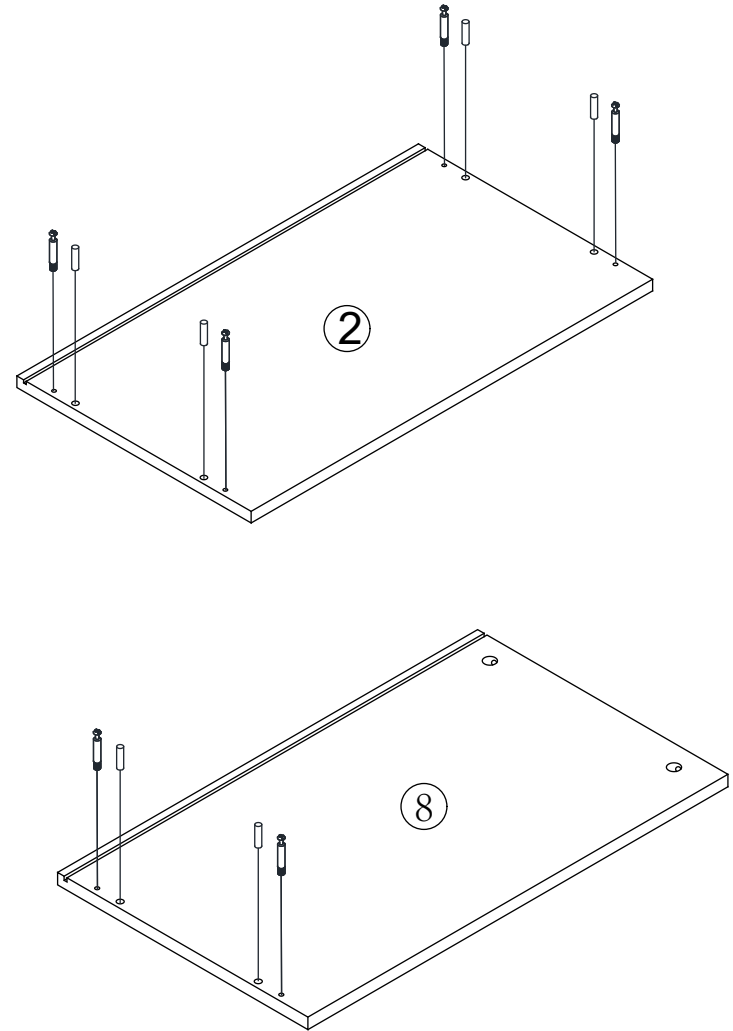
B

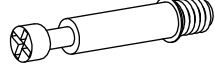



Ø15x10mm

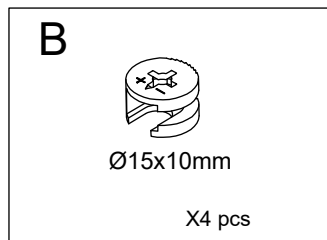
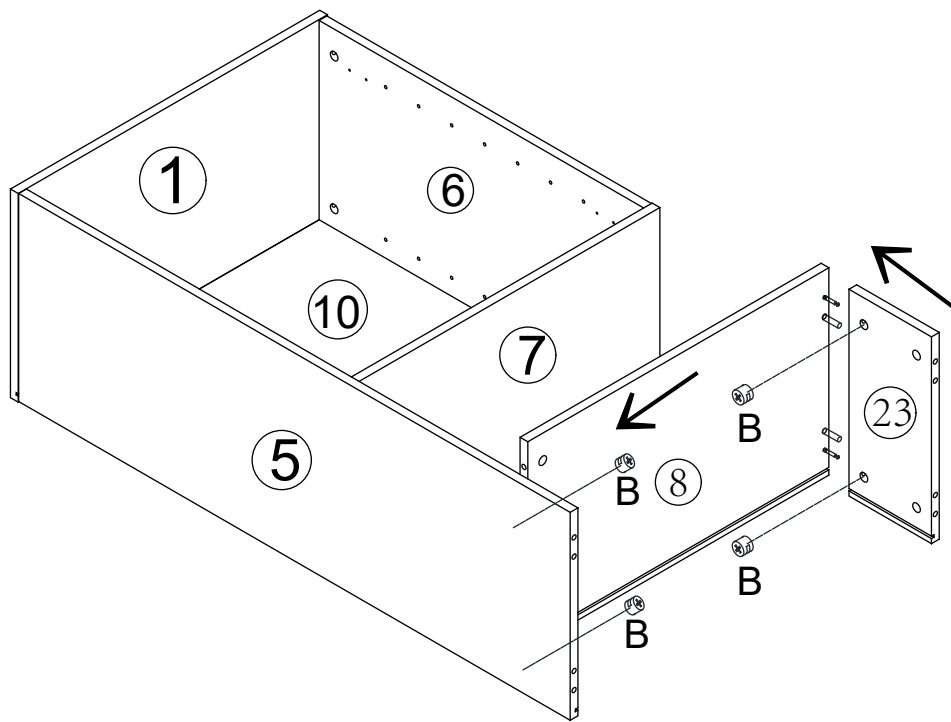
X4 pcs

SETP 6

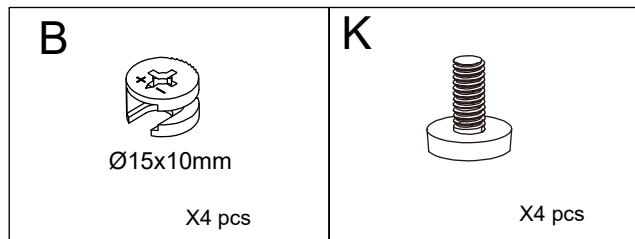
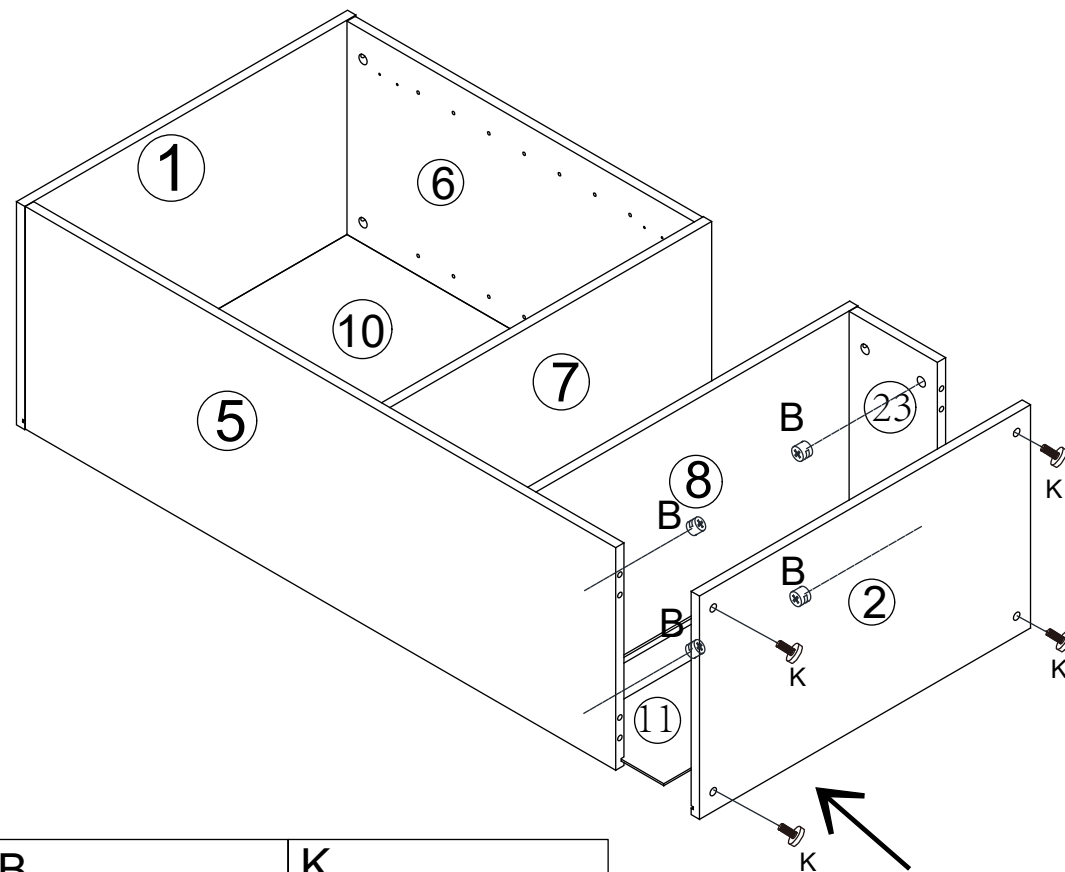
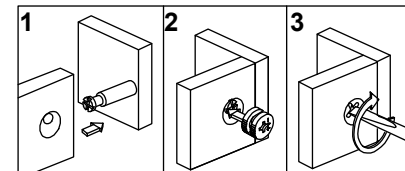


<p>A</p>  <p>Ø6x35mm</p> <p>x 6 pcs</p>	<p>C</p>  <p>Ø8x30mm</p> <p>x 6 pcs</p>
---	---

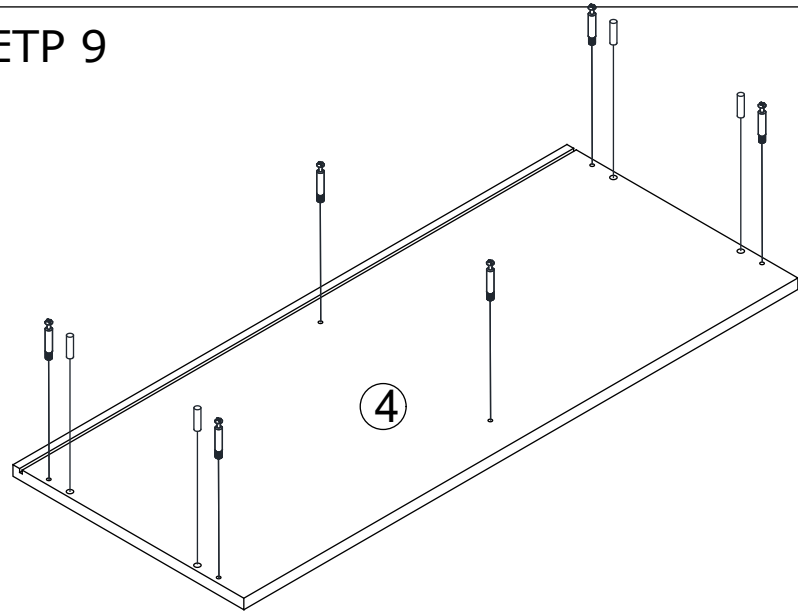
SETP 7



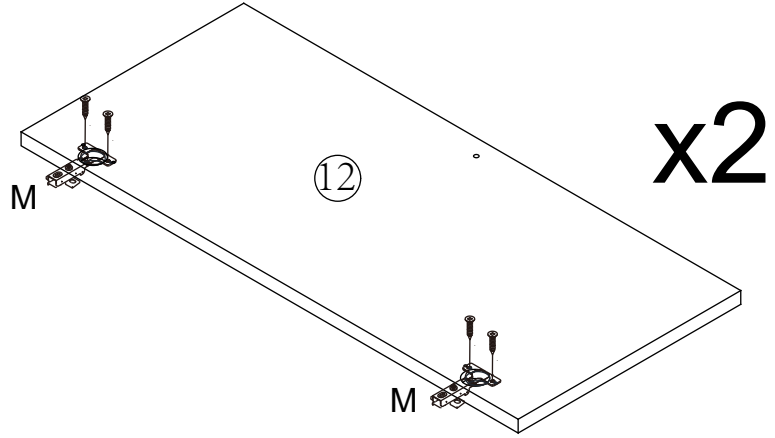
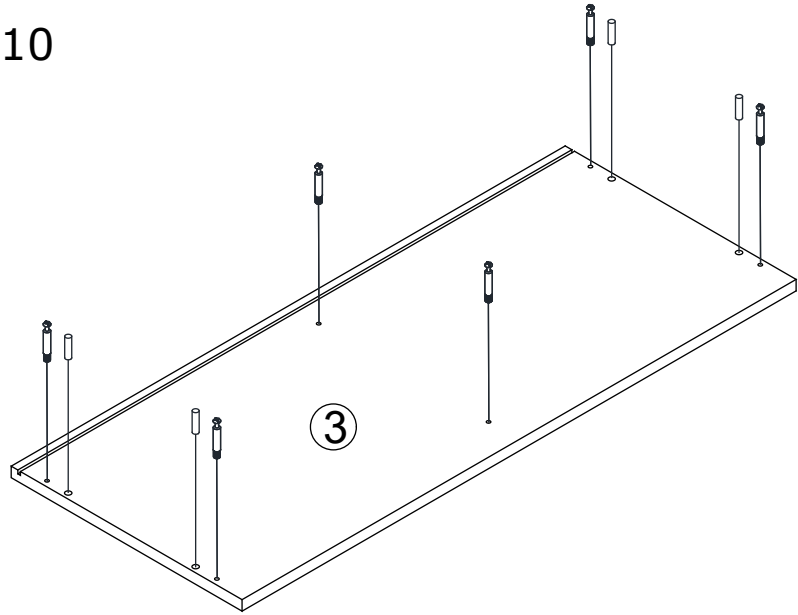
SETP 8



SETP 9



SETP 10



A

Ø6x35mm

x 6 pcs

C

Ø8x30mm

x 4 pcs

O

Ø4 x 16mm

x 8 pcs

A

Ø6x35mm

x 6 pcs

C

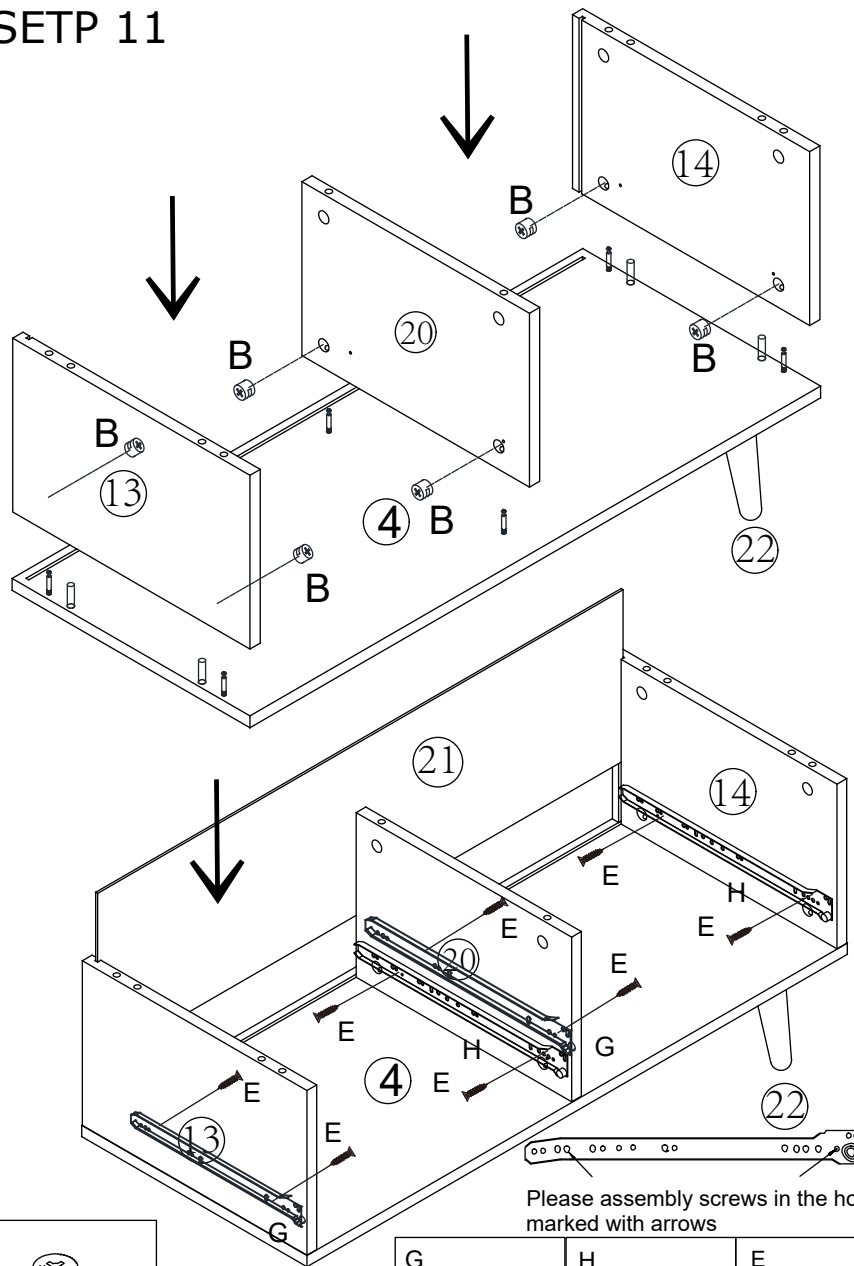
Ø8x30mm

x 4 pcs

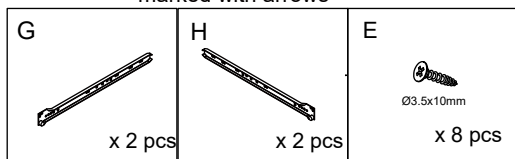
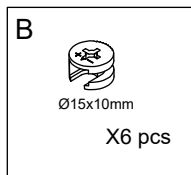
M

x 4 pcs

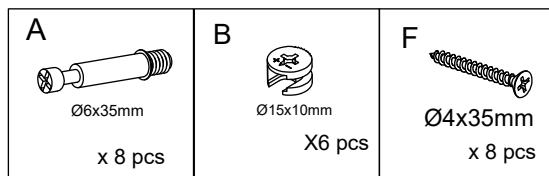
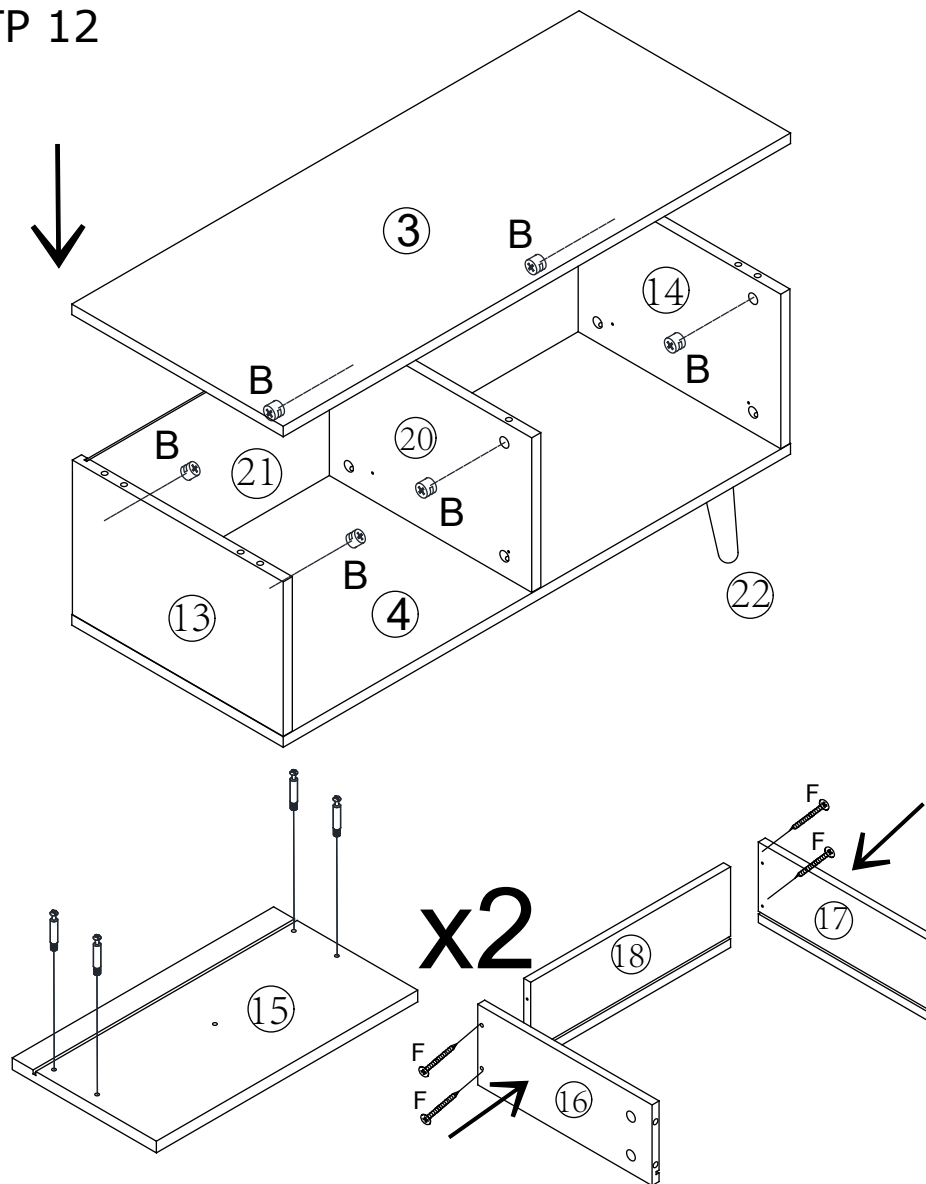
SETP 11



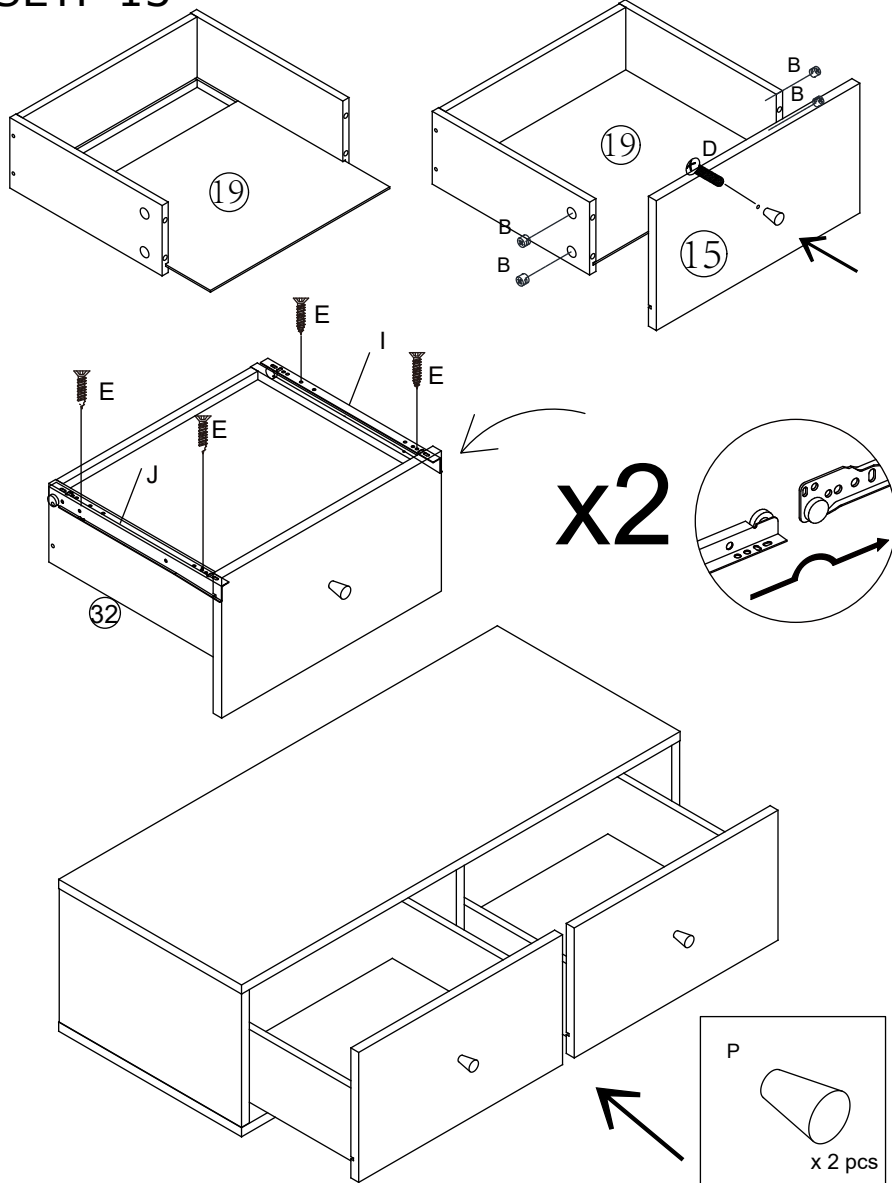
Please assembly screws in the holes marked with arrows






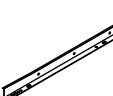
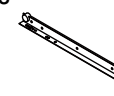
SETP 12



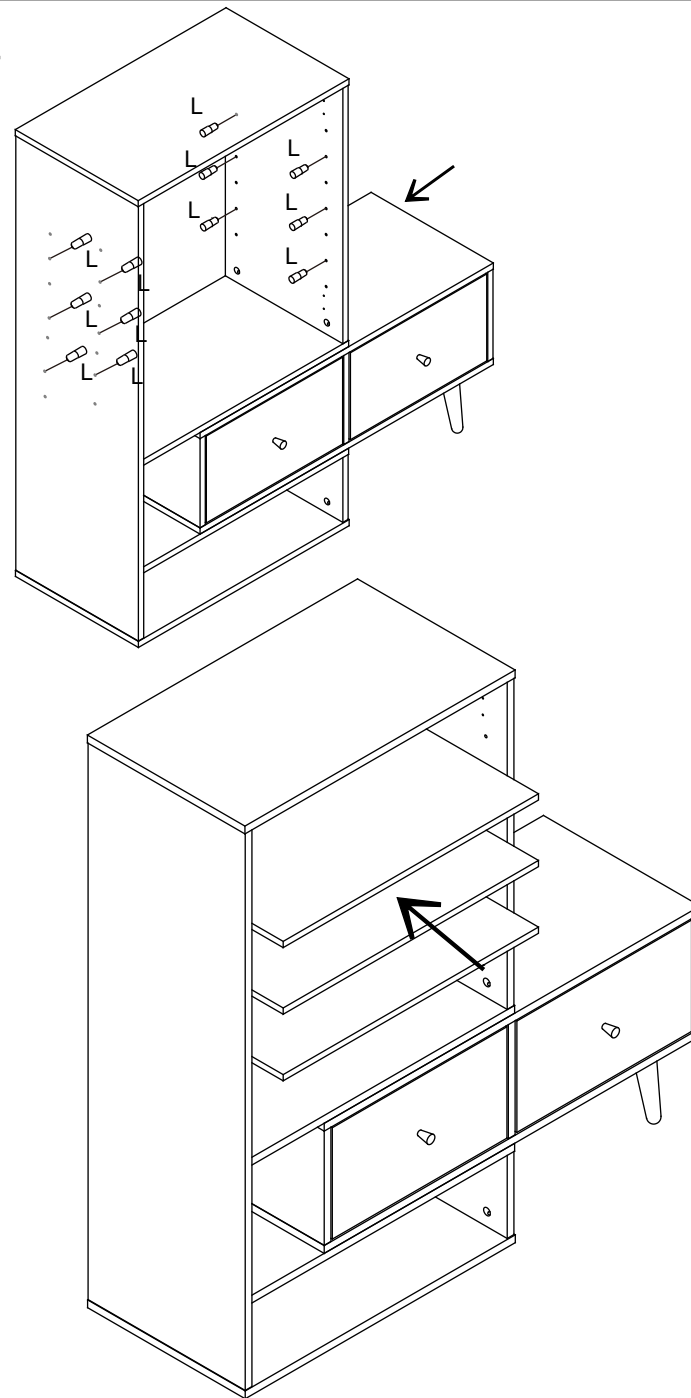
SETP 13




x2

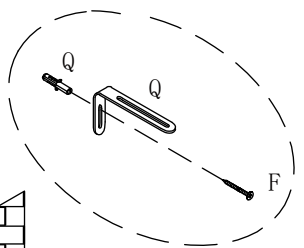
<p>B</p>  <p>Ø15x10mm x8 pcs</p>	<p>D</p>  <p>M4x20mm x 2 pcs</p>	<p>E</p>  <p>Ø3.5x10mm x 8 pcs</p>	<p>I</p>  <p>x 2 pcs</p>	<p>J</p>  <p>x 2 pcs</p>
--	--	--	--	--

SETP 14

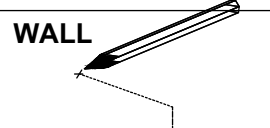
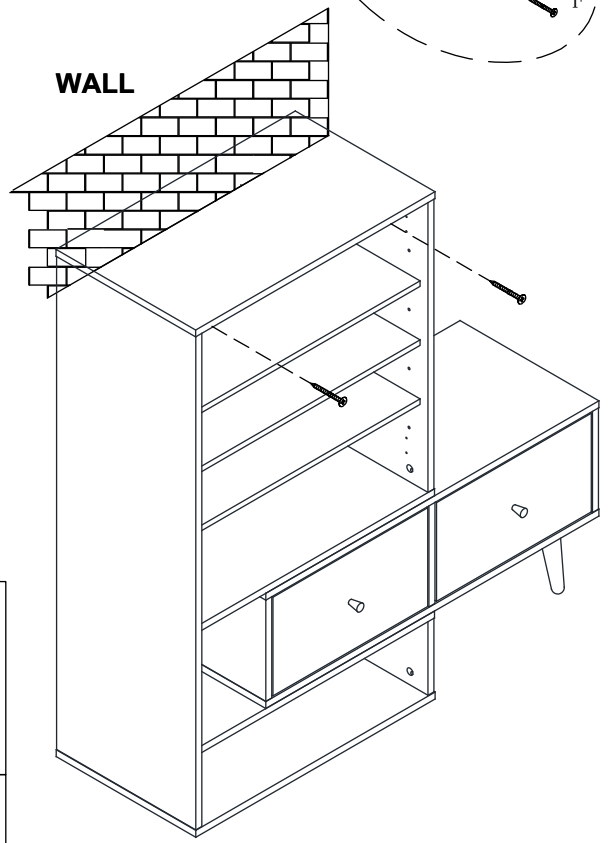
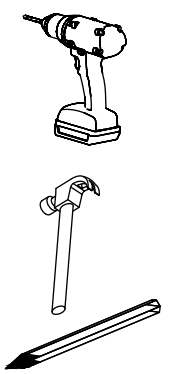


<p>L</p>  <p>x 12 pcs</p>

SETP 15



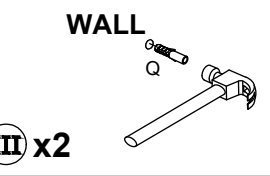
WALL



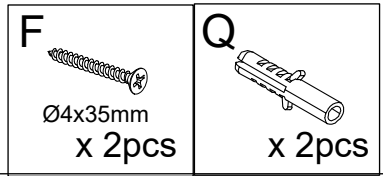
I x2



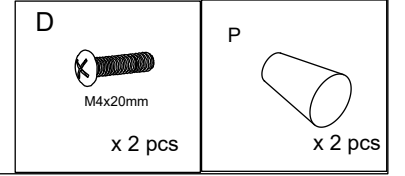
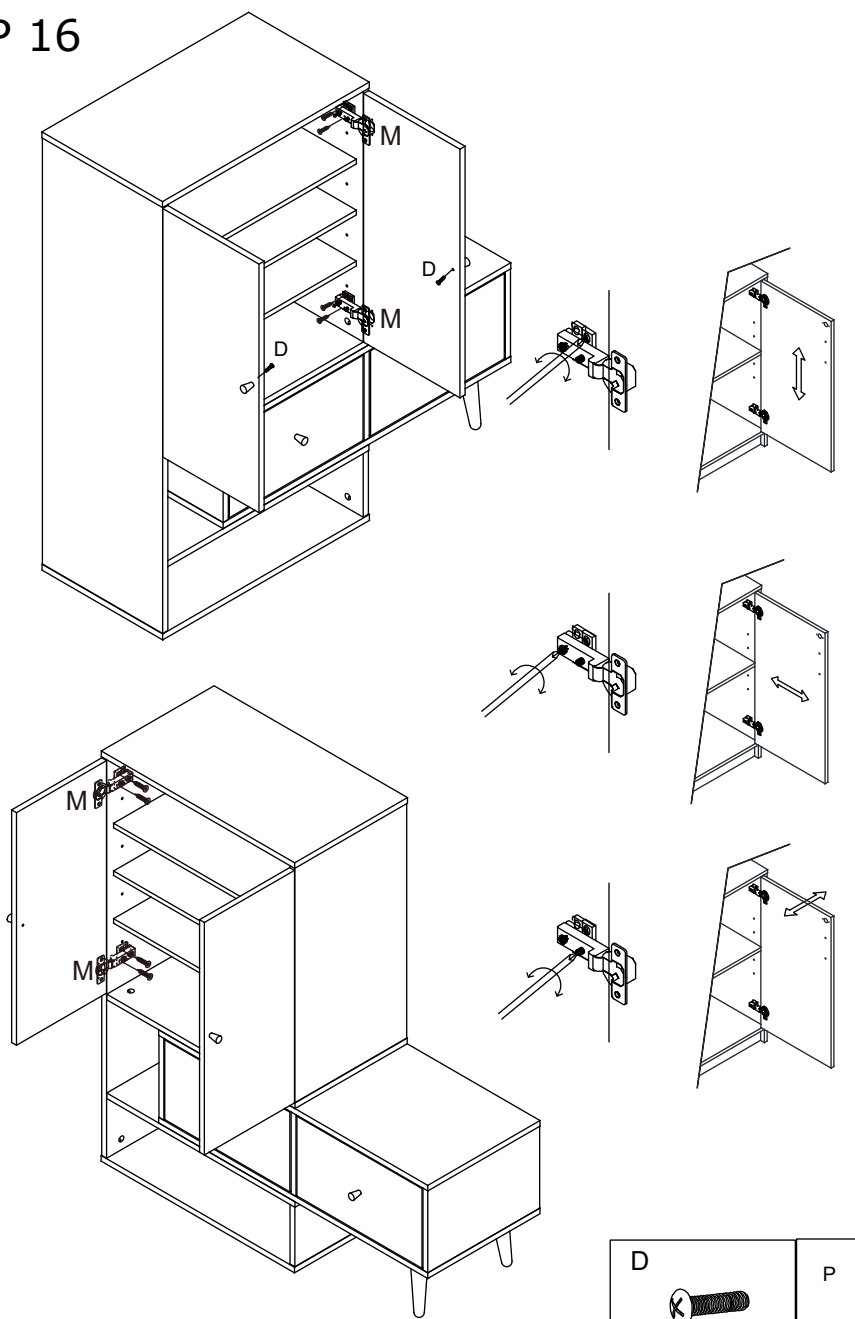
II x2

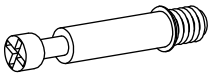


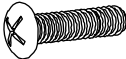


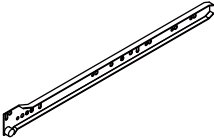
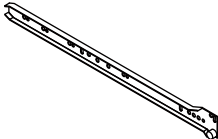
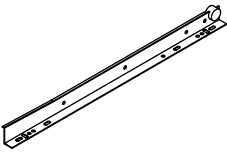
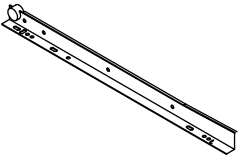
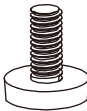
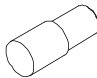
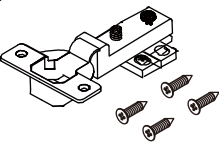
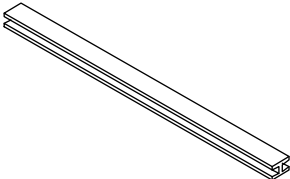
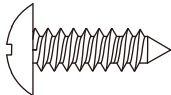
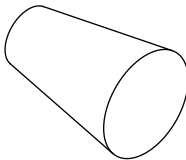
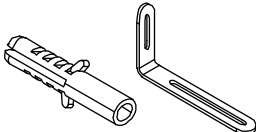


III x2



SETP 16



<p>A</p>  <p>Ø6x35mm</p> <p>X36 pcs</p>	<p>B</p>  <p>Ø15x10mm</p> <p>X36 pcs</p>	<p>C</p>  <p>Ø8x30mm</p> <p>X24 pcs</p>	<p>D</p>  <p>M4x20mm</p> <p>X4 pcs</p>	<p>E</p>  <p>Ø3.5x10mm</p> <p>X24 pcs</p>	<p>F</p>  <p>Ø4x35mm</p> <p>X10 pcs</p>
<p>G</p>  <p>x 2 pcs</p>	<p>H</p>  <p>x 2 pcs</p>	<p>I</p>  <p>x 2 pcs</p>	<p>J</p>  <p>x 2 pcs</p>	<p>K</p>  <p>X4 pcs</p>	<p>L</p>  <p>X12 pcs</p>
<p>M</p>  <p>x 4 pcs</p>	<p>N</p>  <p>x 1 pc</p>	<p>O</p>  <p>Ø4 x 16mm</p> <p>x 10 pcs</p>	<p>P</p>  <p>x 4 pcs</p>	<p>Q</p>  <p>x 2 pcs</p>	