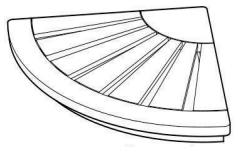


CORNER SHOWER BENCH

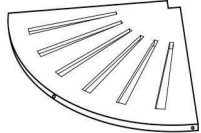
INSTRUCTION



A x1



C x1



B x1



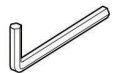
D x3



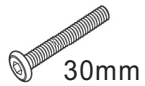
25mm
① x3



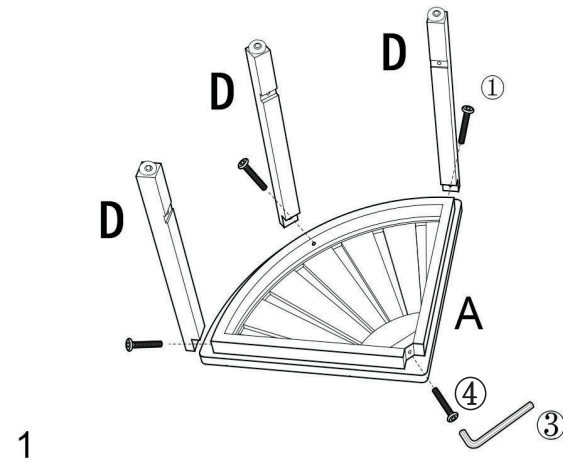
② x4



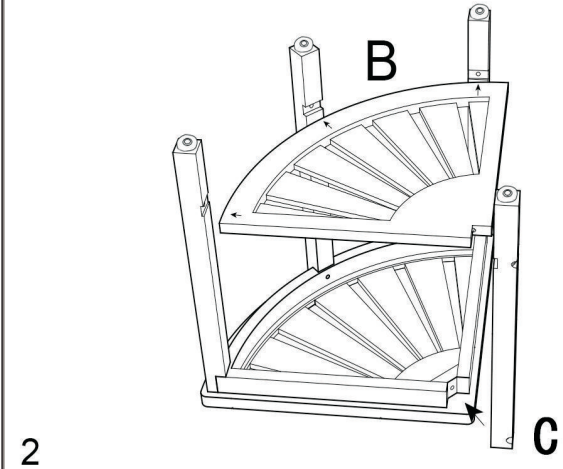
③ x1



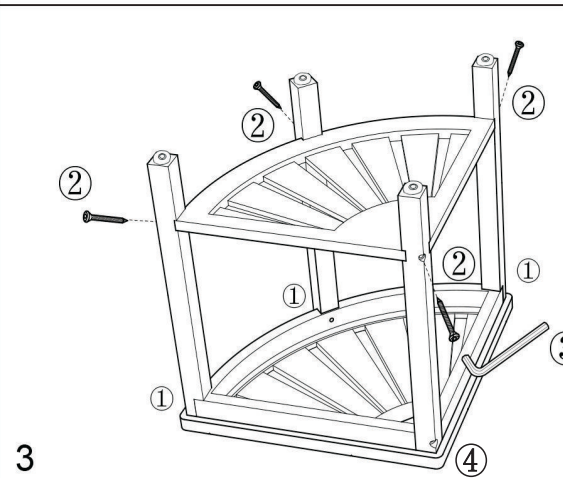
30mm
④ x1



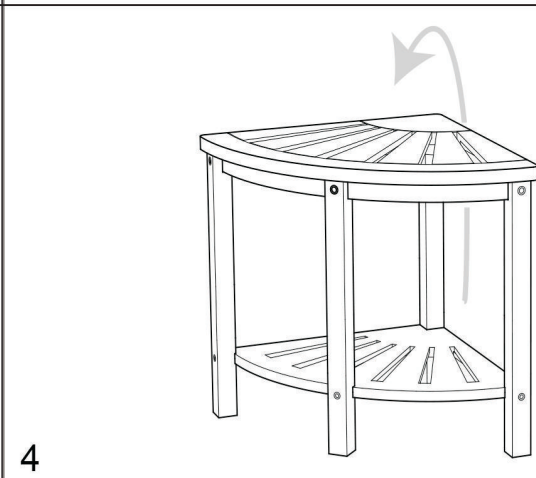
1



2



3



4