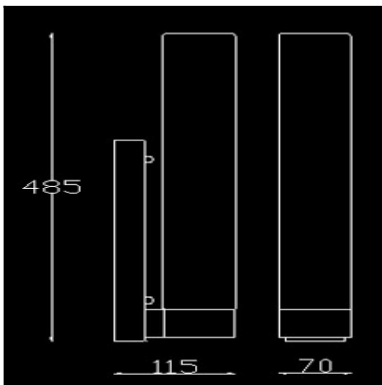
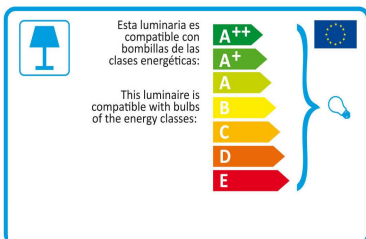




The photograph may not match the reference exactly. Please read the product description to identify the finish.



[Download photometric file .ldt / .ies](#)



[Click on image to download energy label](#)

TECHNICAL CHARACTERISTICS

| | |
|------------------------------|------------------|
| Type: | Wall fixture |
| IP Protection degrees: | IP44 |
| Light source 1: | 1 x 2G11 36W |
| Total power consumption (W): | 34 |
| Voltage / Frequency: | 220-240V/50-60Hz |
| Units per box: | 4 |
| Net Weight (Kg): | 1.57 |



MATERIALS / FINISHES

| | | | |
|----------------------------|--------|---------------------------|-------|
| Structure material: | Steel | Diffuser material: | Glass |
| Structure finish: | Chrome | Diffuser finish: | Opal |

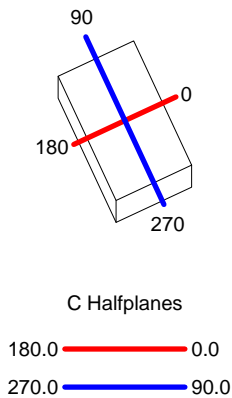
GEAR

Gear included: Yes, electronic

| Luminaire | | Measur. | | Lamp | | |
|----------------------------|--------------|-----------------------------|------------------|--------------|-------------|--------|
| Name | WALL LIGHT | Name | WALL LIGHT | Code | FLUORESCENT | |
| Line | Eulumdat | | | Number | 1 | |
| | | | | Position | | |
| Efficiency | 13.43% | Coordinate system | CG | Total Flux | 3500.00 lm | |
| Maximum value | 71.19 cd | Position | C=270.00 G=38.00 | Asymmetrical | | |
| Rectangular Luminaire | Length | 115 mm | Width | 70 mm | Height | 485 mm |
| Rectangular Luminous Area | Length | 115 mm | Width | 70 mm | Height | 485 mm |
| Horizontal Luminous Area | 0.008050 m2 | Emitting area on Plane 180° | | 0.055775 m2 | | |
| Emitting area on Plane 0° | 0.055775 m2 | Emitting area on Plane 270° | | 0.033950 m2 | | |
| Emitting area on Plane 90° | 0.033950 m2 | Glare area at 76° | | 0.056066 m2 | | |
| Symmetry Type | Asymmetrical | Maximum Gamma Angle | | 180 | | |
| Measurement Distance | 0.00 | Measurement Flux | | 3500.00 lm | | |
| Operator | | Source voltage | | | | |
| Temperature | 25.00 °C | Source current | | | | |
| Humidity | 60.00 % | Photocell | | | | |
| Notes | | | | | | |

| Luminaire Lamps | | | | | |
|-----------------|-----------------|-----------------------|-----------|----------|------|
| Line | Code | Name | Flux [lm] | Pow. [W] | Q.ty |
| Eulumdat | FLUORESCENT | FLUORESCENT - 36.00 W | 3500.00 | 36.00 | 1 |
| C.I.E. | 29 56 79 67 13 | D DIN 5040 | | B11 | |
| F UTE | 0.09 J + 0.04 T | B NBN | | BZ 7 | |

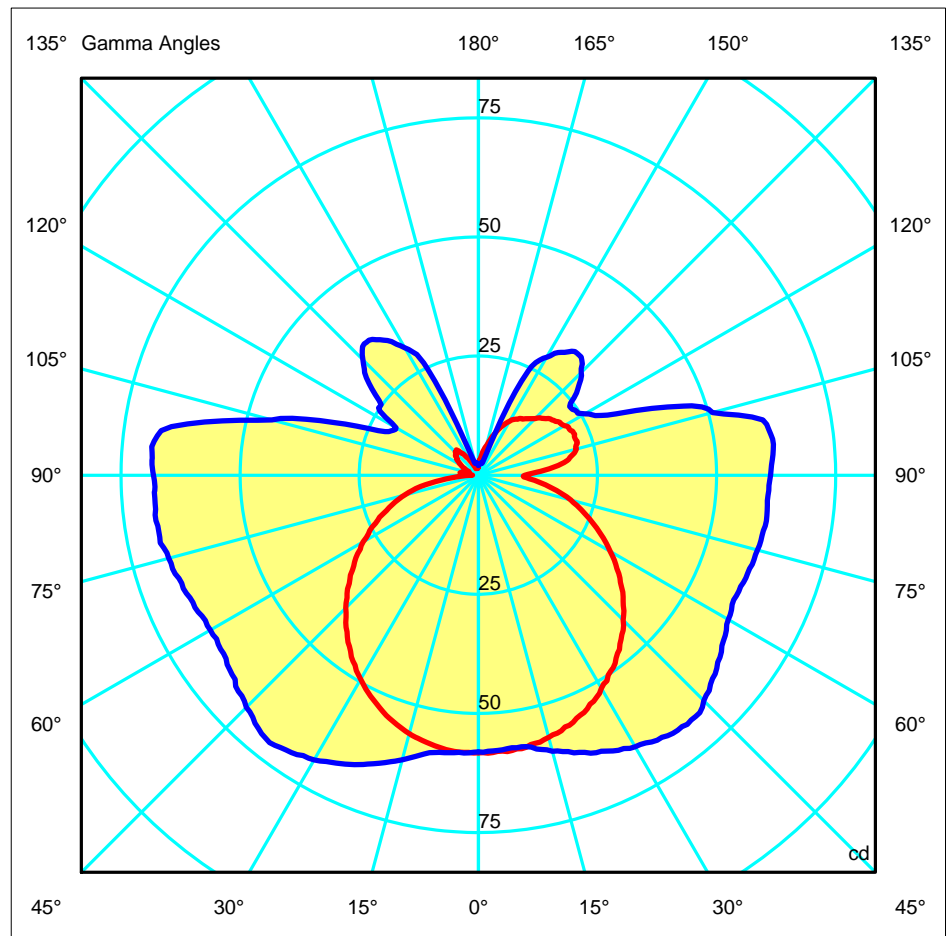
115mm x 70mm



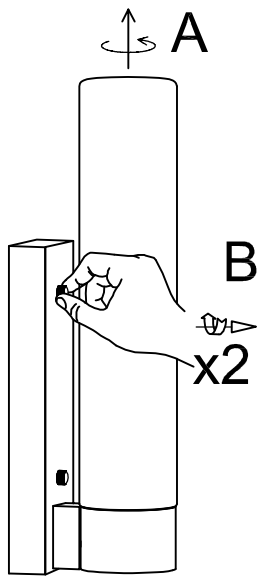
ULOR 4.39 %

DLOR 9.04 %

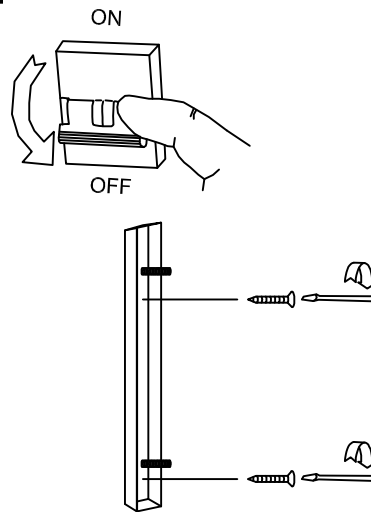
RN 32.68 %



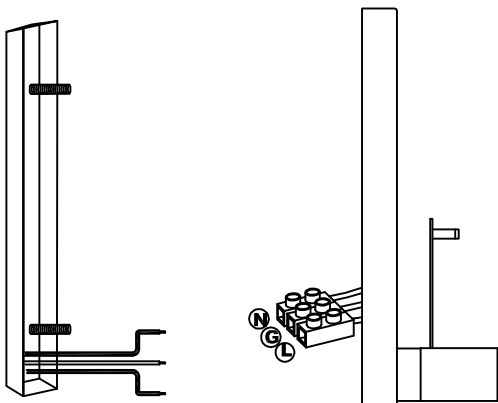
1



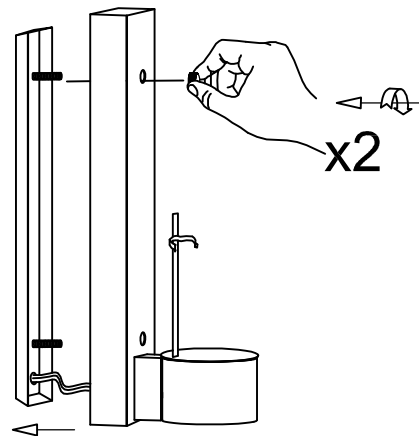
2



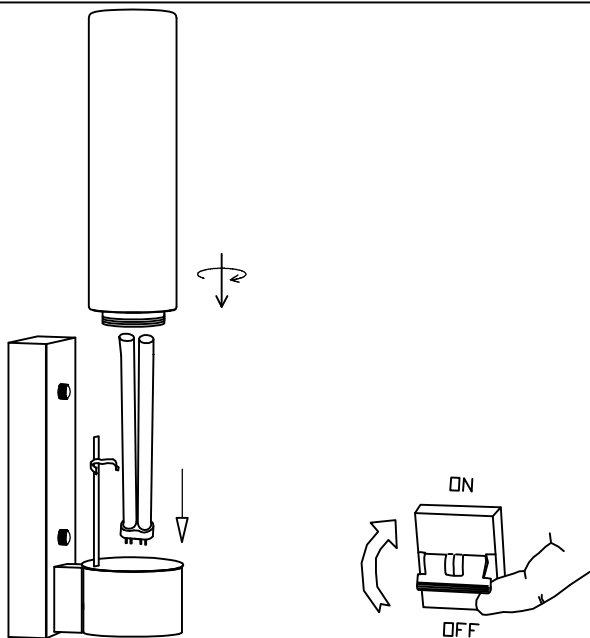
3



4



5



6

