



TEMPERED GLASS TABLE

SAFETY & WARNINGS

- Read each step carefully before starting, it is very important to ensure each step followed in correct order, otherwise assembly difficulties may occur.
- Work in a spacious area, preferably on a carpet close to where the unit will be used.
- Keep the hand tools close at hand. Do not use power tools to assemble your furniture. They may scratch or damage the parts.
- Please do not use any tools other than those provided or recommended in these instructions.
- Please do not throw away any of the packaging or instructions until you have checked all the components and hardware and the furniture is fully assembled.
- Assemble all components loosely until advised to tighten. Depending on use, it may be necessary to tighten the components from time to time, so please save the tools that have been provided.
- Please keep all pieces out of reach of children.
- Do not place very hot or very cold items on the glass surface(s) unless adequately thick table mats are used to prevent such items from coming into contact with the glass.
- Do not sit or stand upon the glass surface(s).
- Do not use the glass as a chopping surface. Do not strike the glass with hard or pointed items.
- When cleaning glass panels, use a damp cloth or leather with washing up liquid or soft soap if necessary, do not use washing powders or any other substance containing abrasives since these substances scratch glass.

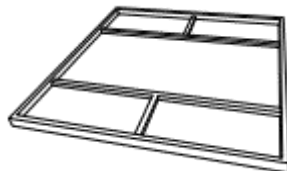
COMPONENTS



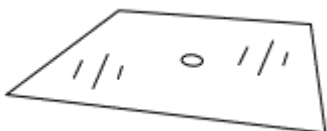
A: Leg (x2)



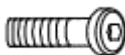
B: Connecting
Panel (x2)



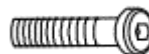
C: Table Frame
(x1)



D: Glass Tabletop
(x1)



E: Short Screw (x4)
M6 x 15



F: Long Screw (x8)
M6 x 40



G: Washer (x12)

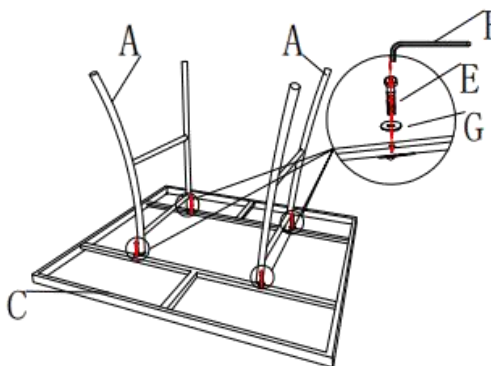


H: Allen Key (x1)

INSTALLATION

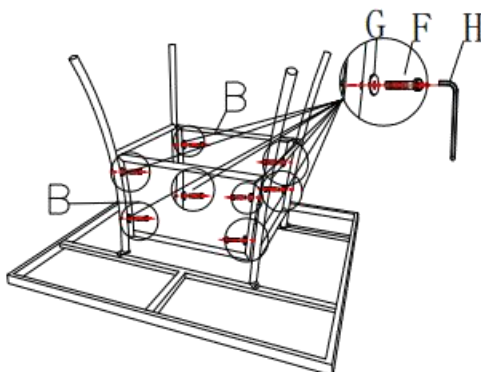
Step 1

Place the tabletop frame (C) on a flat and non-abrasive surface. Attach two legs (A) to the tabletop frame (C) with washers (G) and short screws (E) using the Allen key (H).



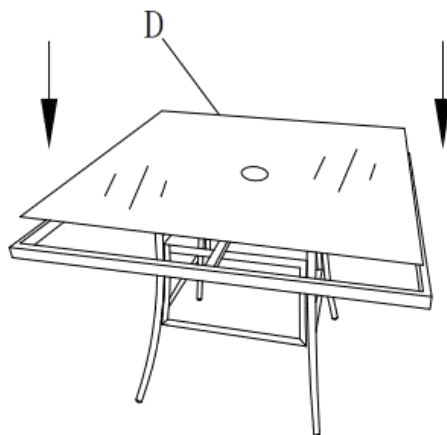
Step 2

Attach two connecting panels (B) to two legs (A) with washers (G) and long screws (F) using the Allen key (H).



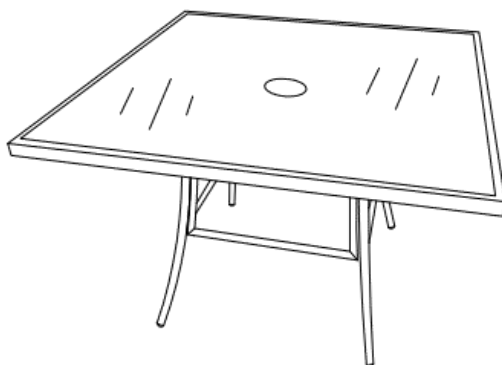
Step 3:

Carefully turn the table in its upright position. Attach the glass table top (D) to the tabletop frame (C) and make sure they are aligned.



Step 4:

Your table is now ready for use.



CLEANING & CARE

- Use a soft, clean cloth that will not scratch the surface when dusting.
- Use of furniture polish is not necessary.
- Should you choose to use polish, test first in an inconspicuous area.
- Using solvents of any kind on your furniture may damage the finish.
- Liquid spills should be removed immediately. Using a soft clean cloth, blot the spill gently. Avoid rubbing.
- Check bolts/screws periodically and tighten them if necessary.