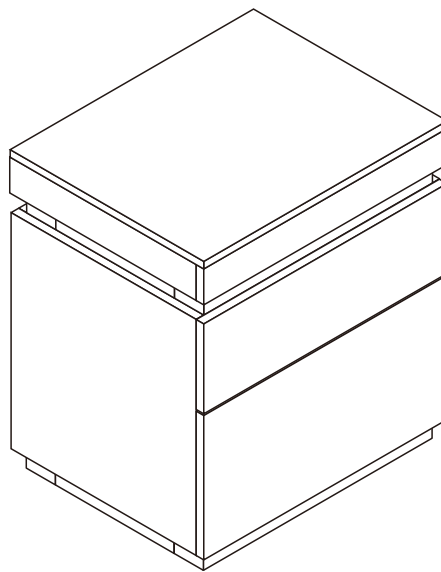


Bucket cabinet

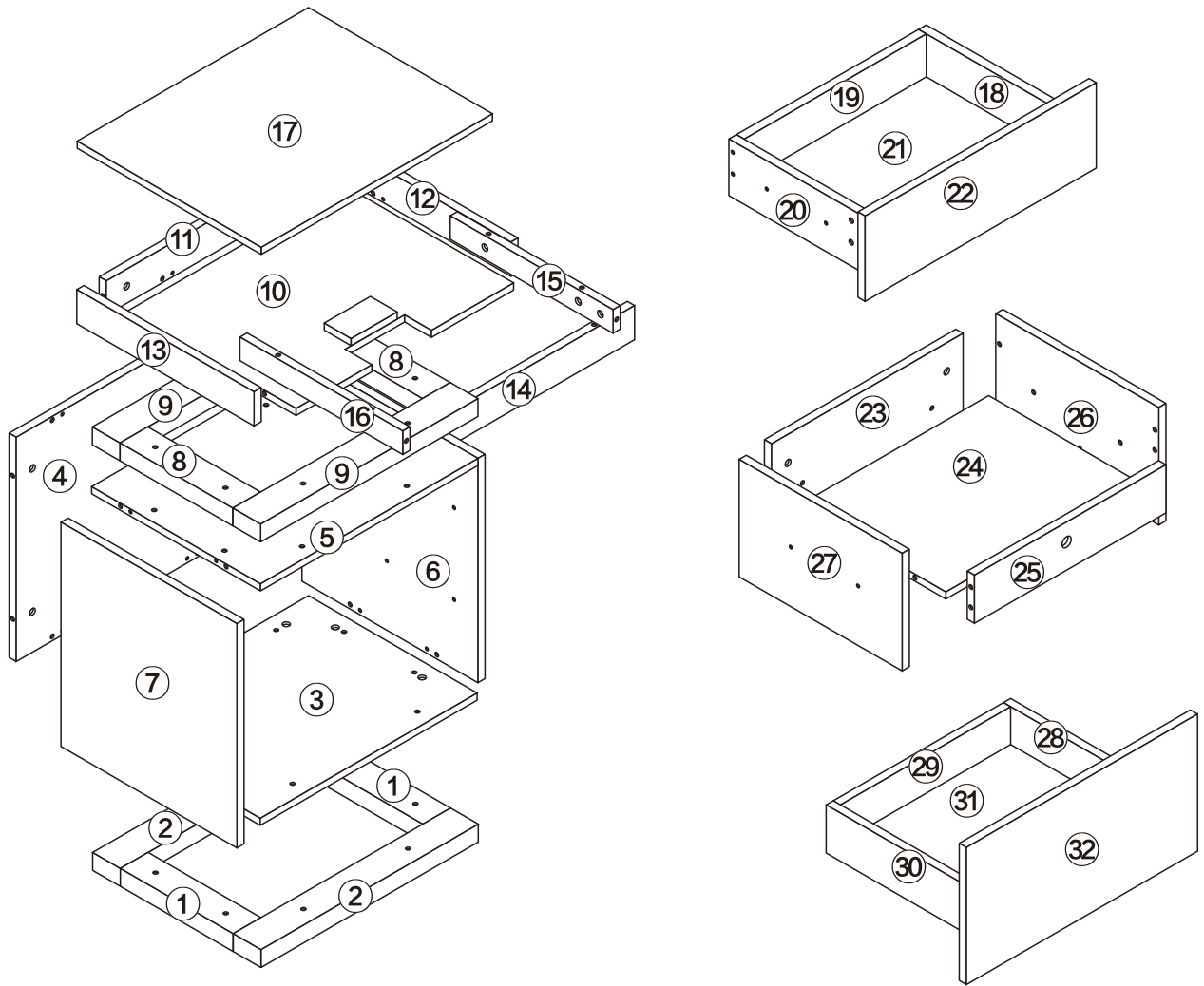


L500*W400*H545MM

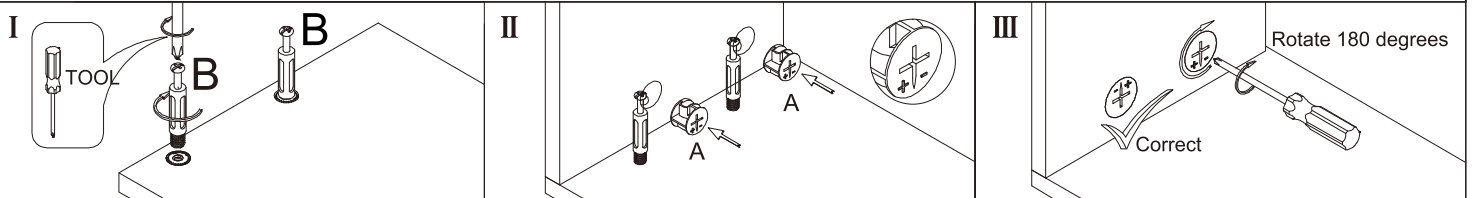


Installation Instructions

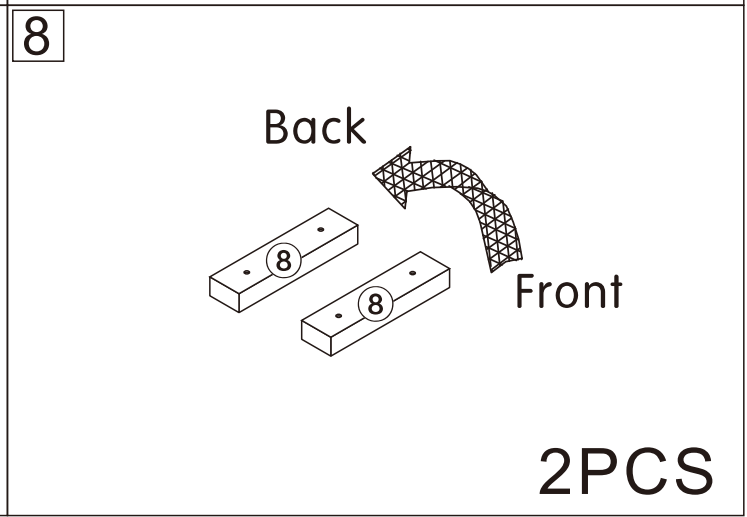
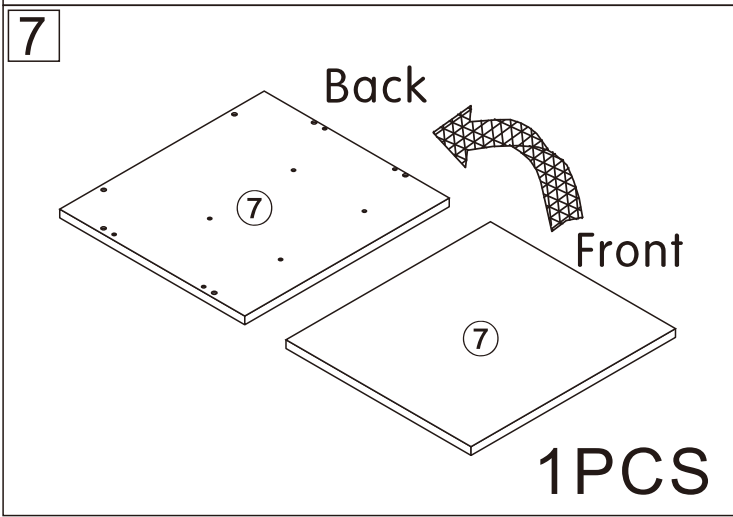
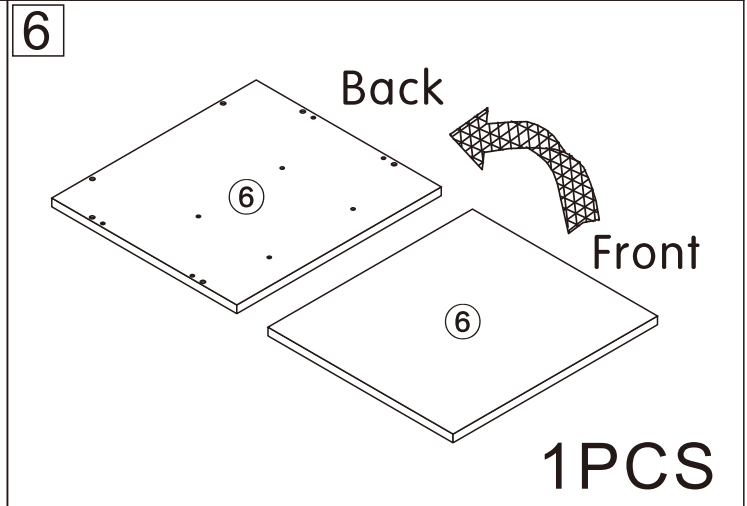
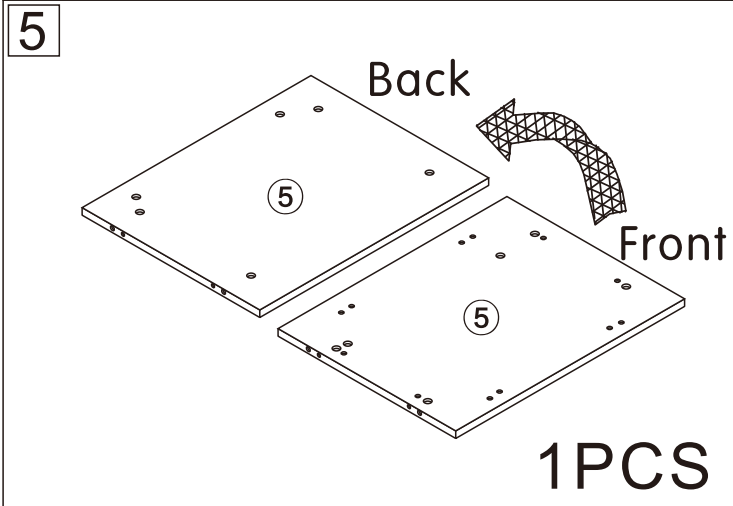
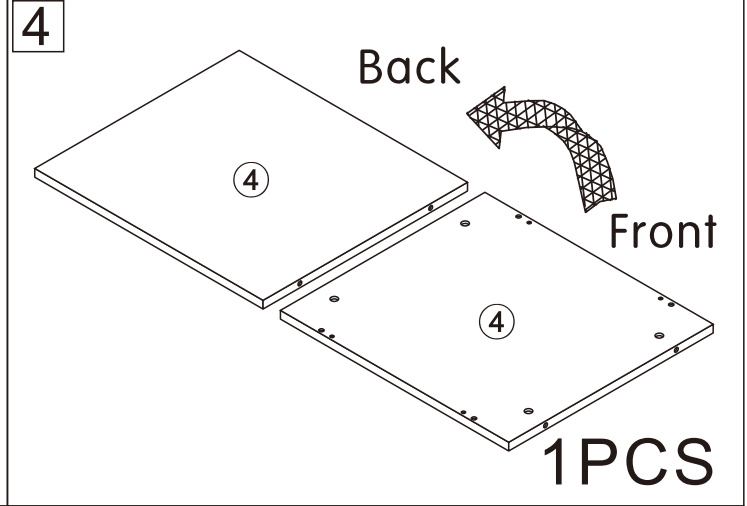
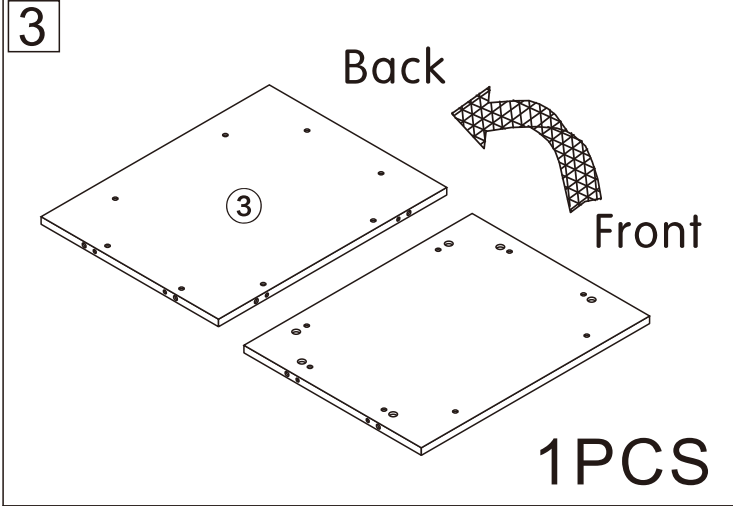
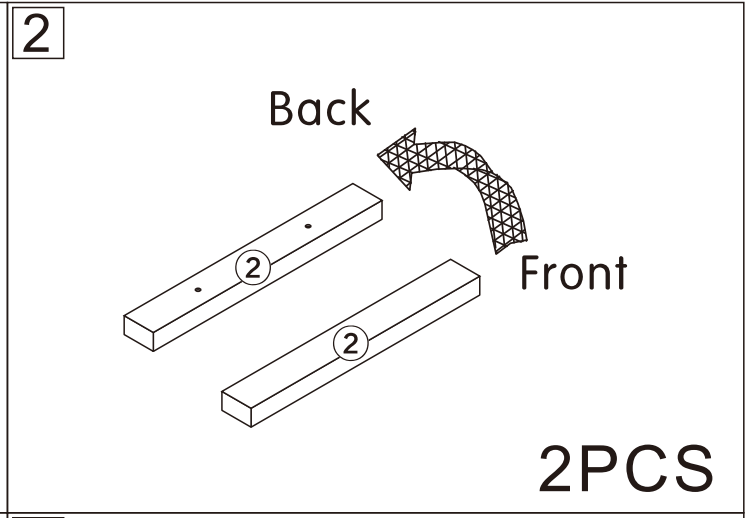
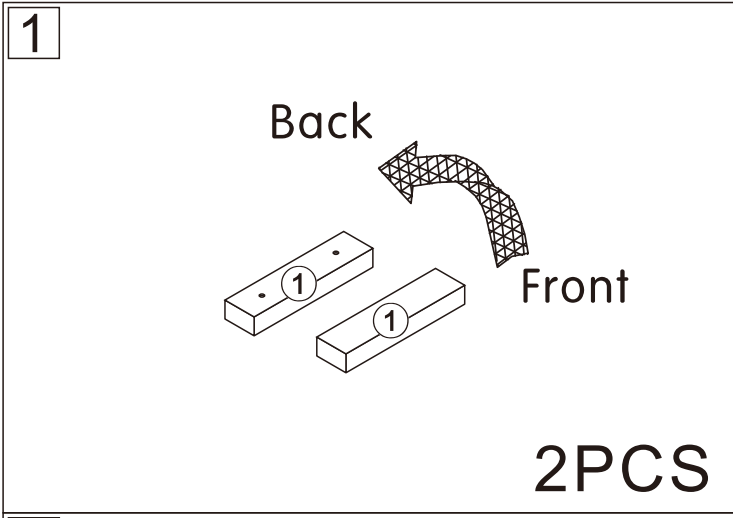
Notes: Don't tighten screws completely at first, just in case parts were assembled wrongly and need disassemble. Tighten screws at last when all parts are put together.

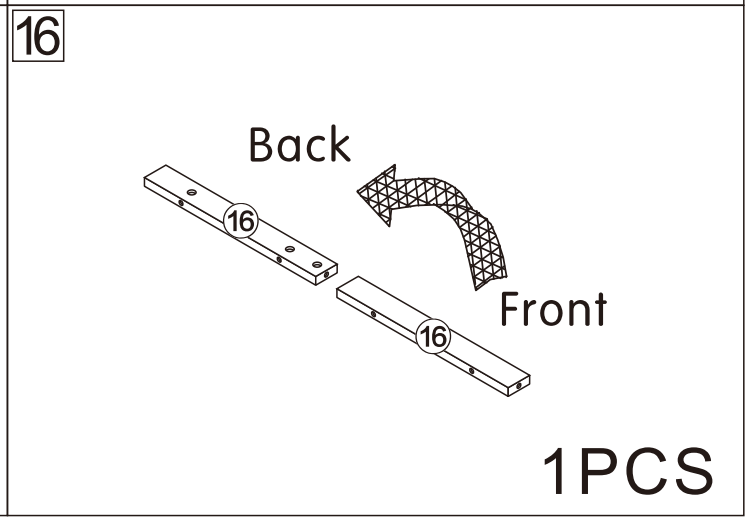
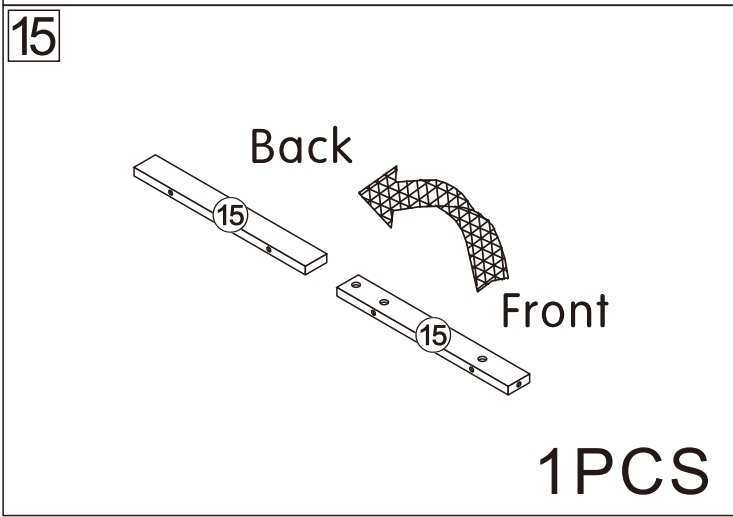
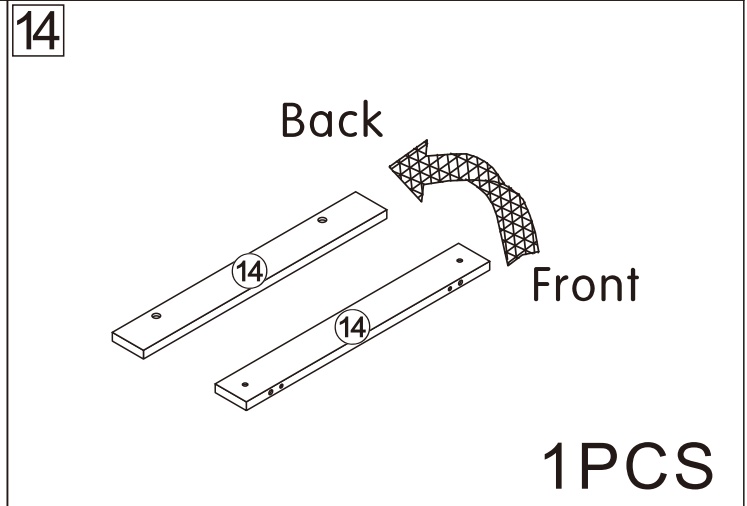
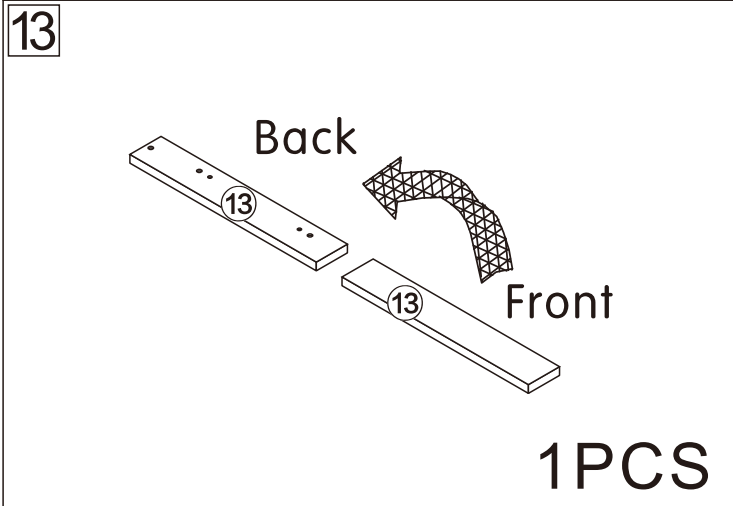
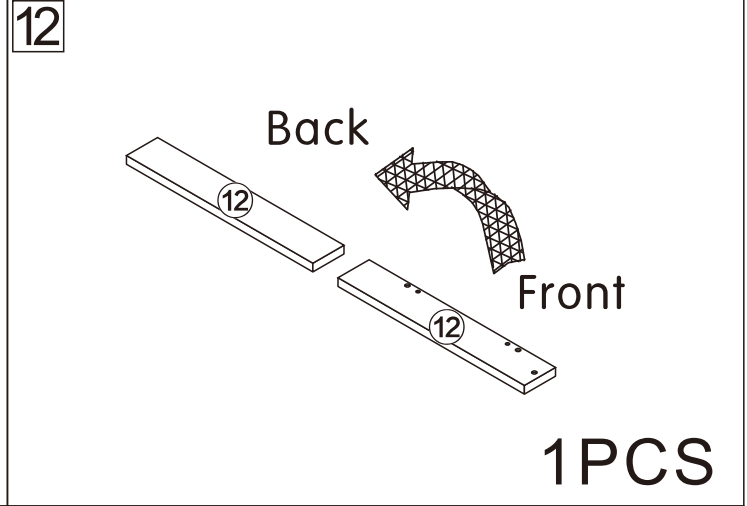
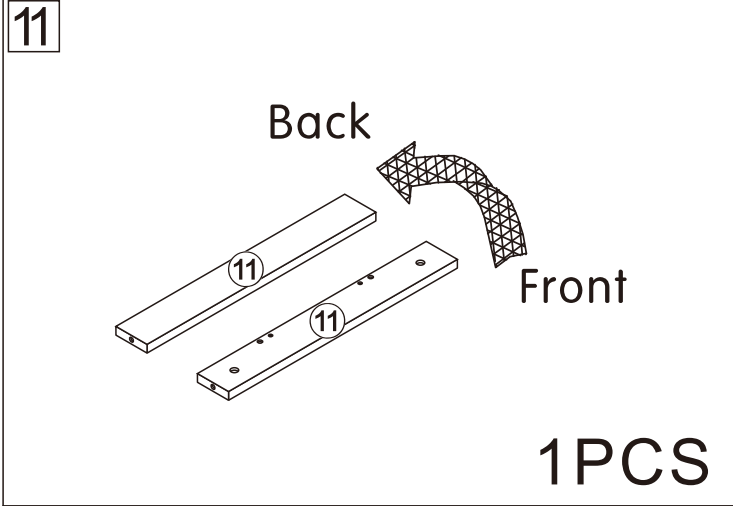
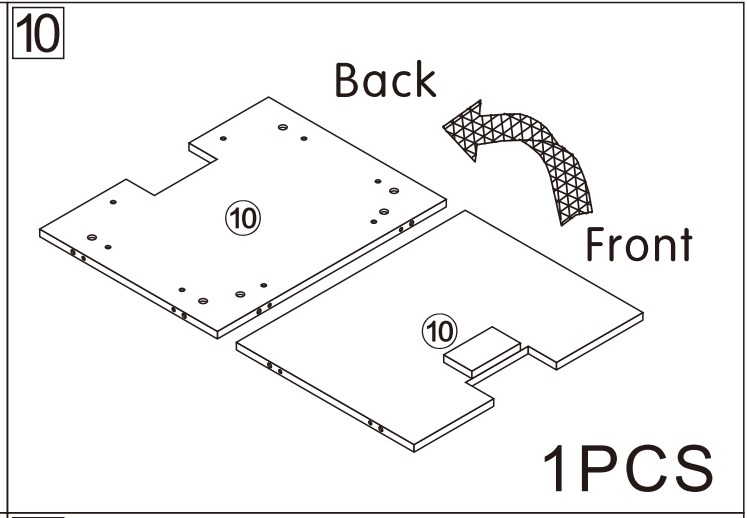
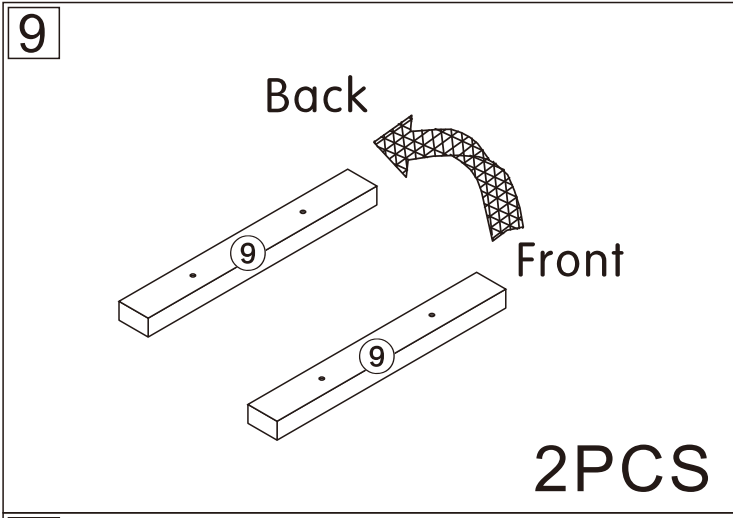


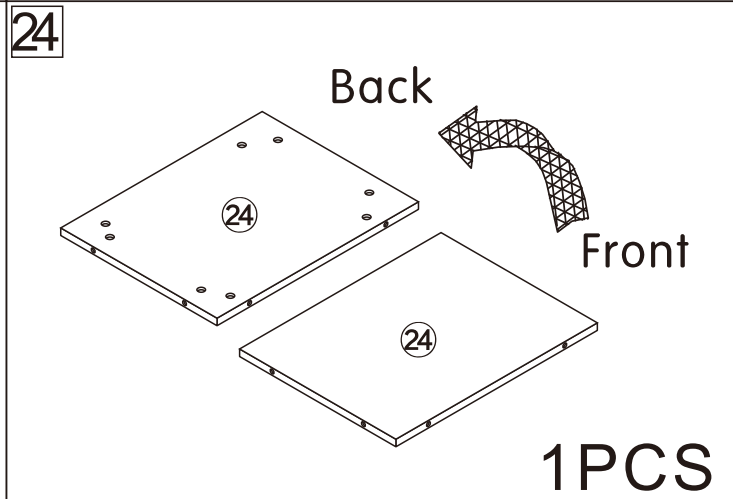
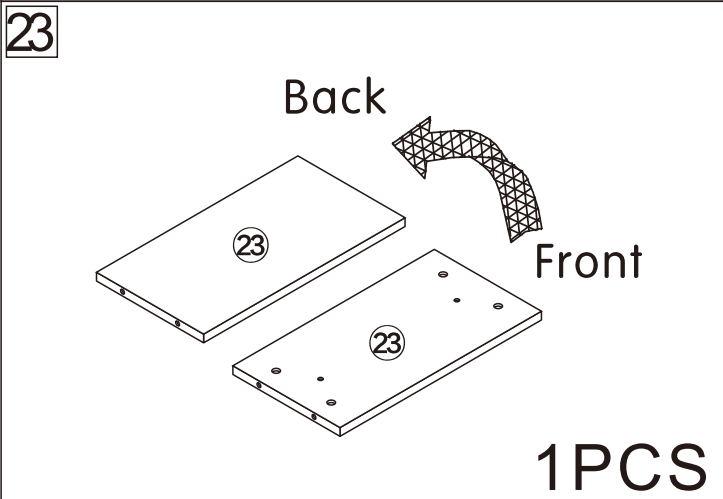
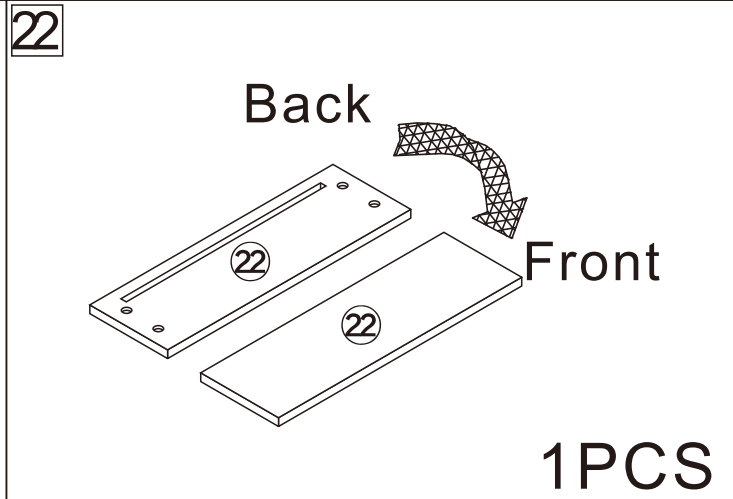
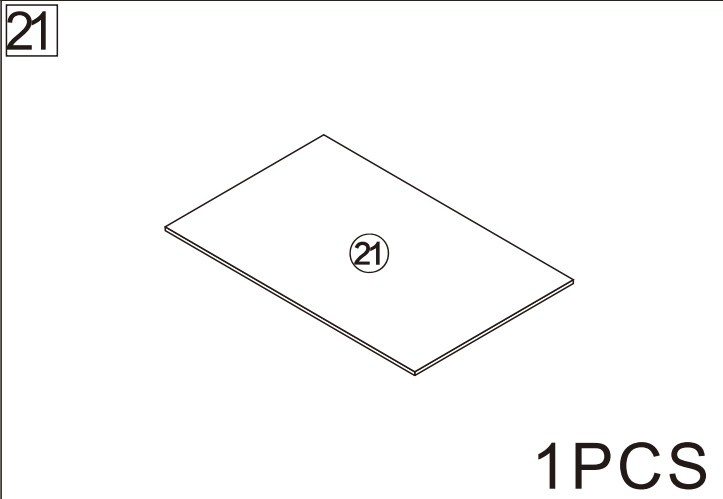
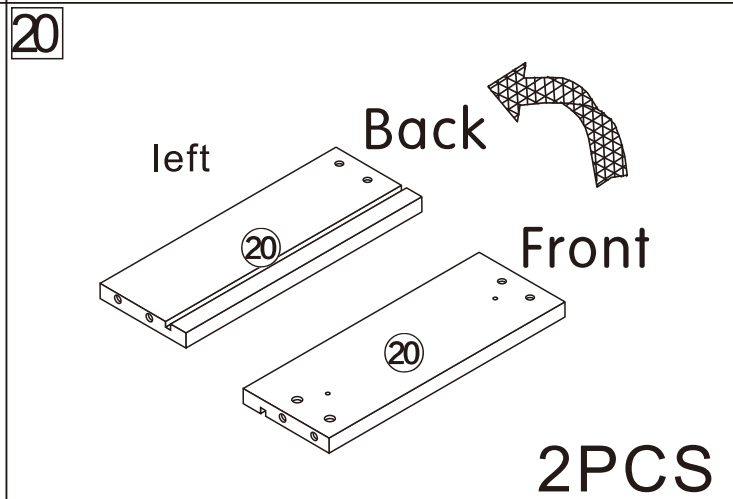
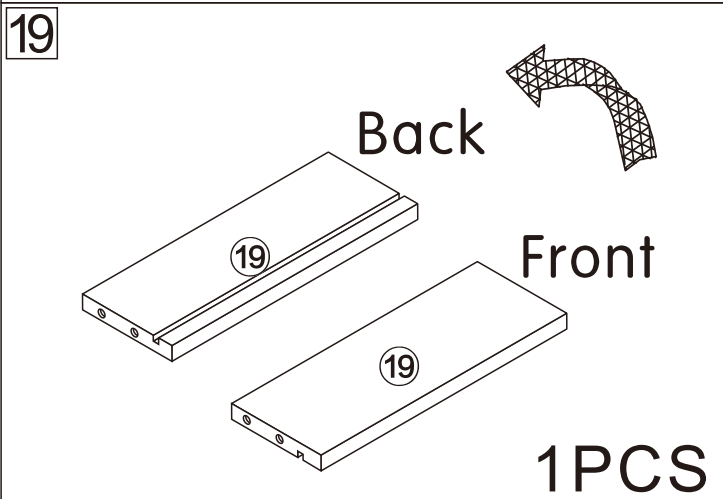
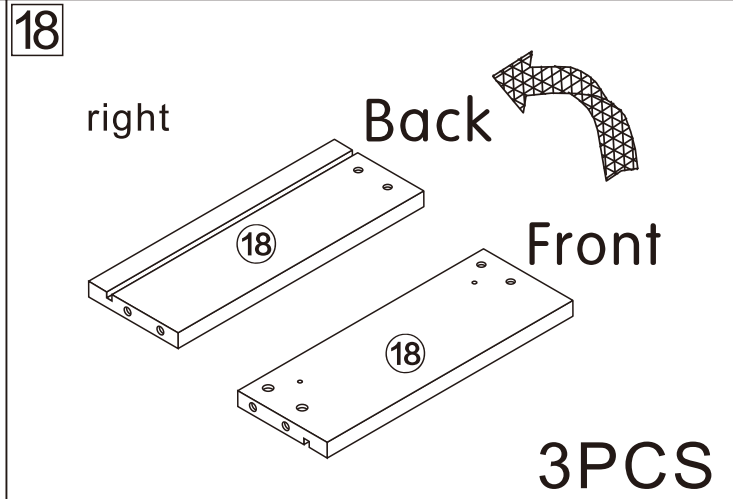
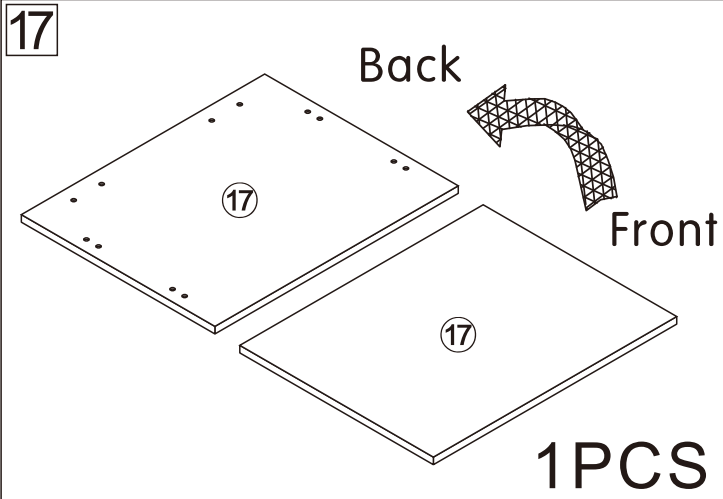
Disassembly and installation of accessories



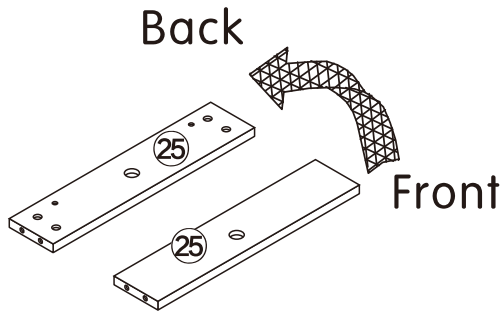
A 56PCS 15*10mm	B 56PCS 6*28mm	C 30PCS 8*30mm	D 32PCS 3.5*14mm	E 8PCS 3.5*40mm	F 8PCS 6*25mm	G 8PCS 6*50mm	 Tools Recommended	
H 6PCS 14#	I 2PCS 12#	J 8PCS 12#						





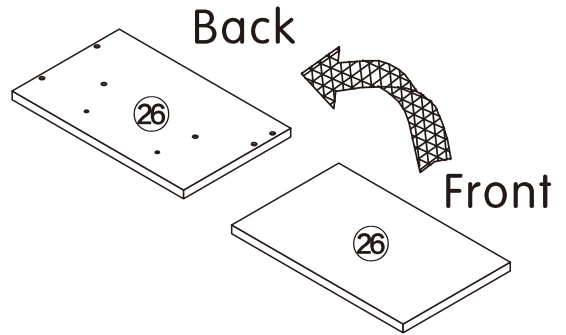


25



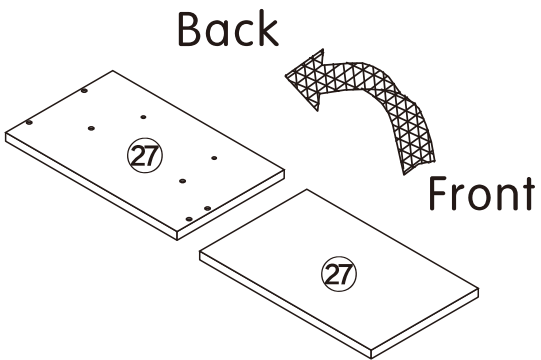
1PCS

26



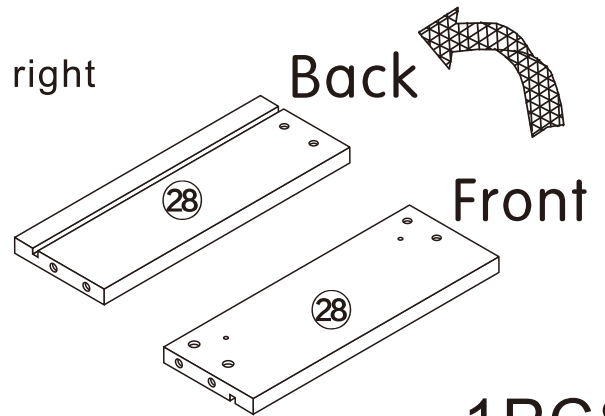
1PCS

27



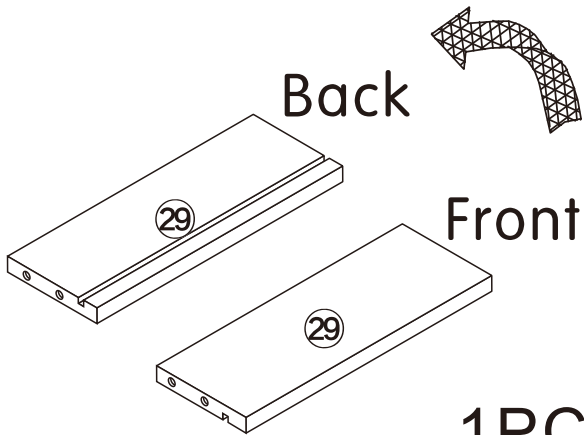
1PCS

28



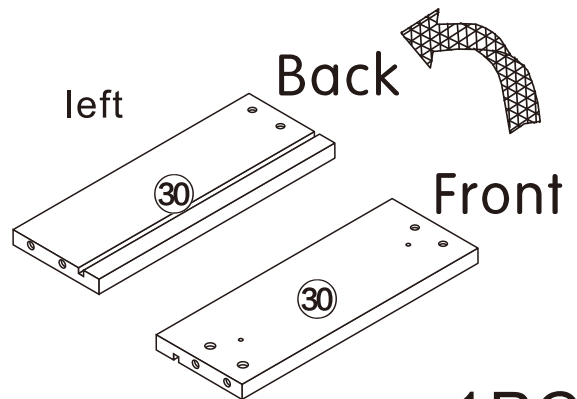
1PCS

29



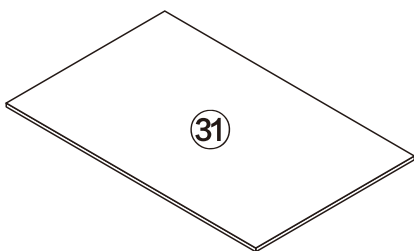
1PCS

30



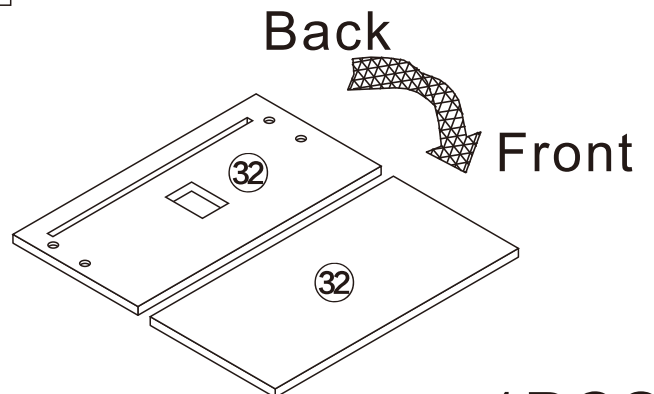
1PCS

31



1PCS

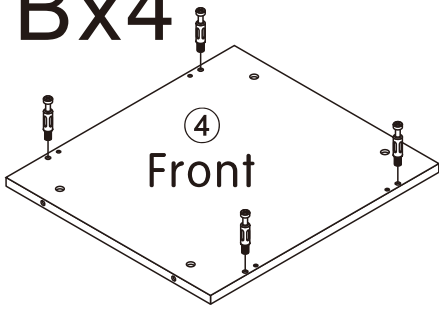
32



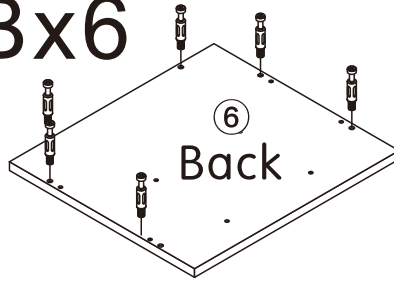
1PCS

1

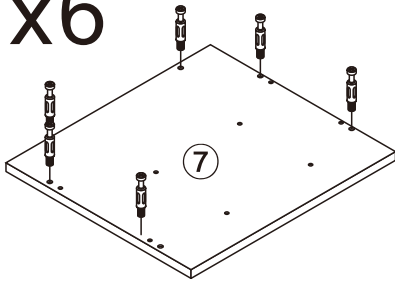
Bx4



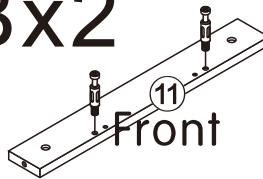
Bx6



Bx6

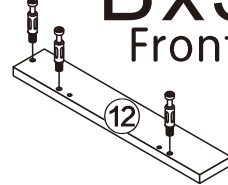


Bx2



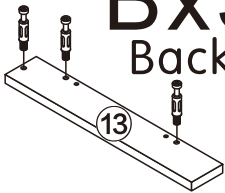
Bx3

Front



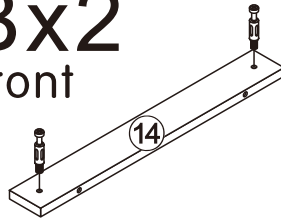
Bx3

Back



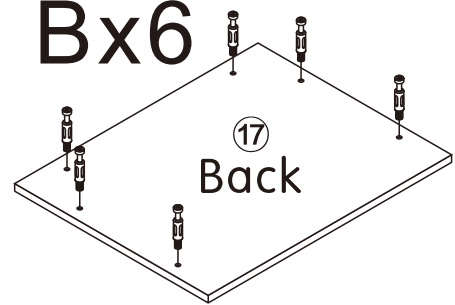
Bx2

Front



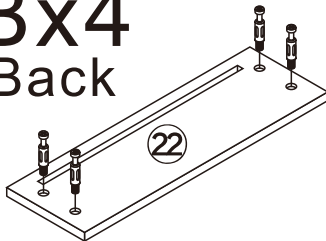
Bx6

17 Back



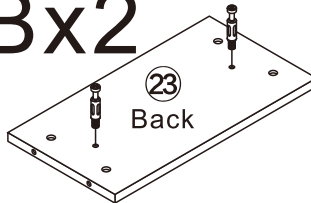
Bx4

Back



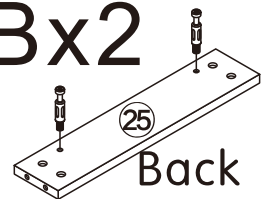
Bx2

23 Back



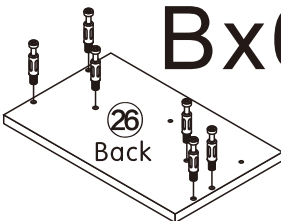
Bx2

25 Back



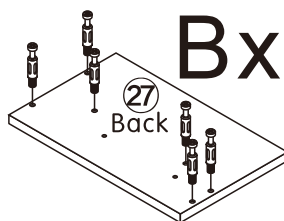
Bx6

26 Back



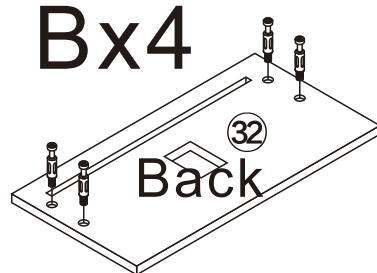
Bx6

27 Back



Bx4

32 Back

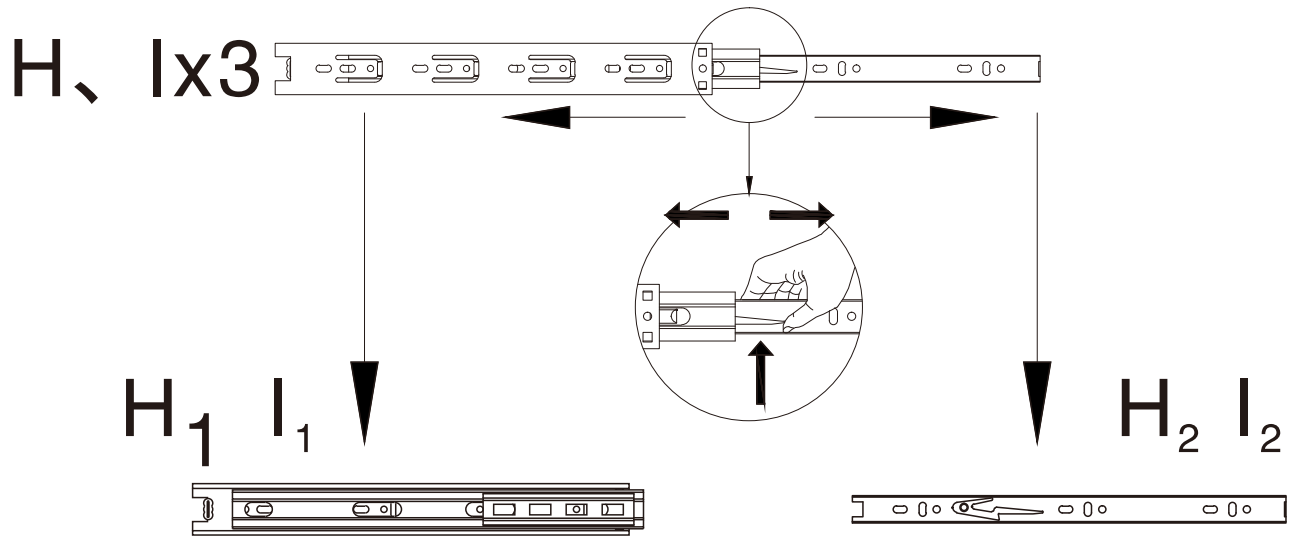


B 56PCS



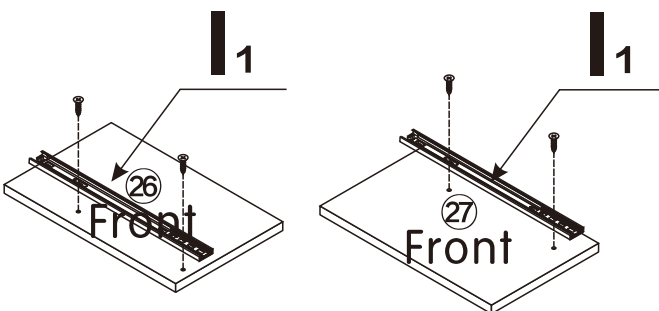
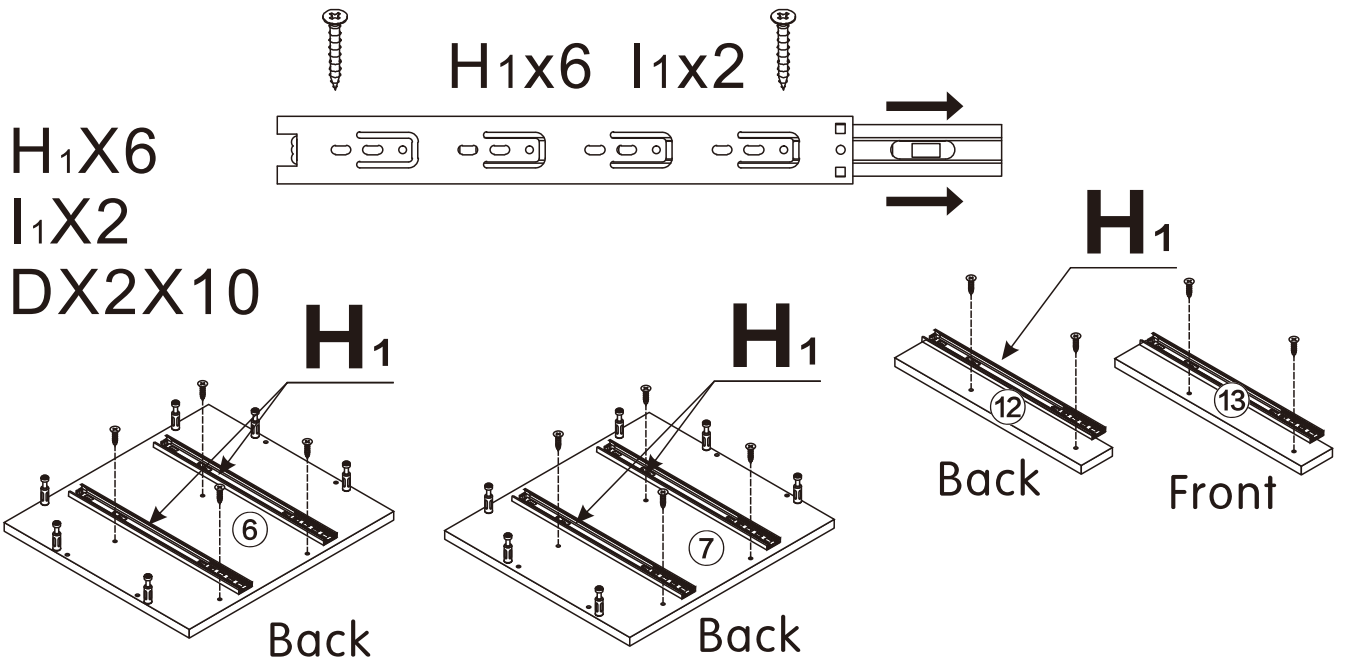
6*28mm

2



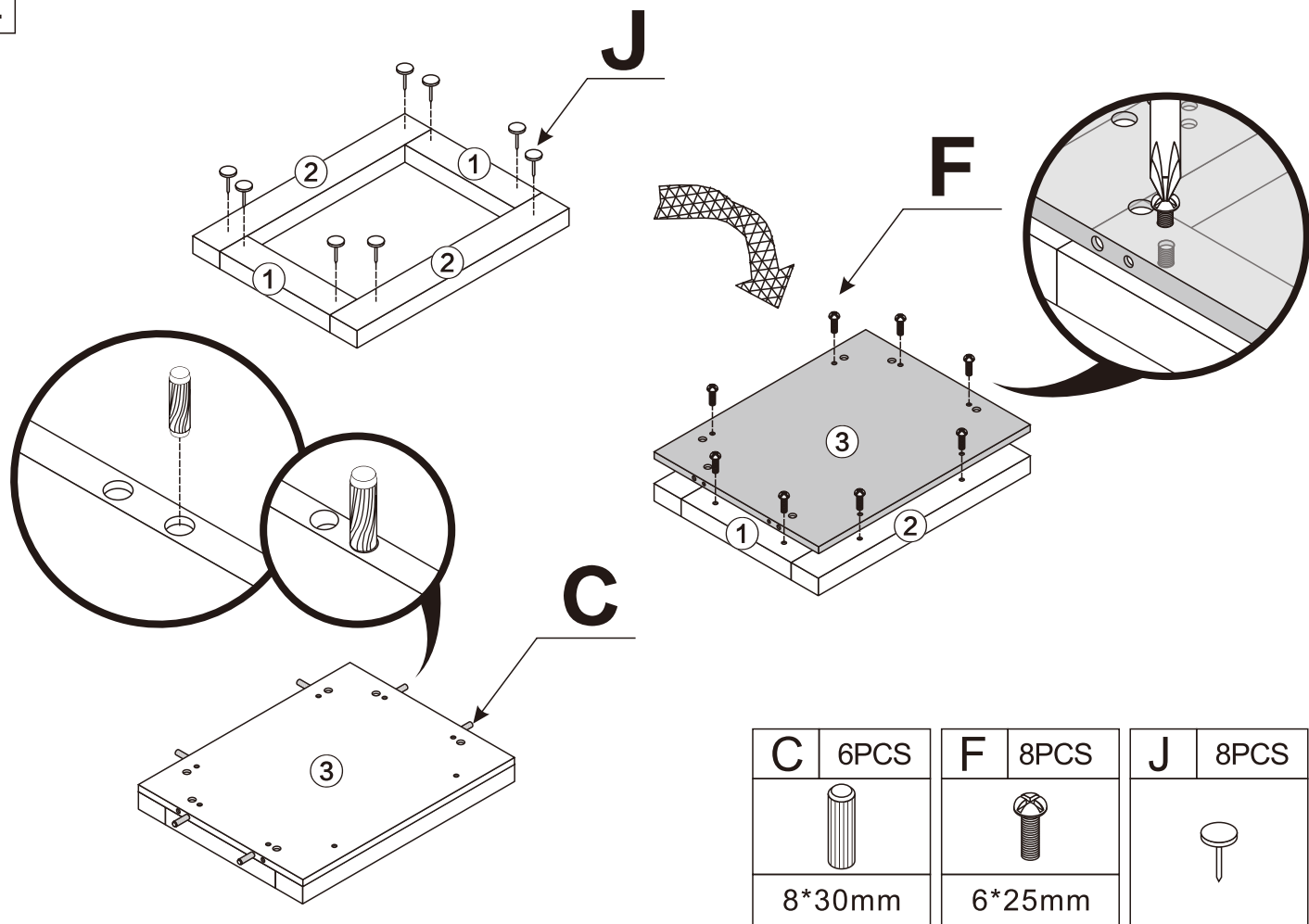
H ₁	6PCS	I ₁	2PCS
<p>14#</p>		<p>12#</p>	

3



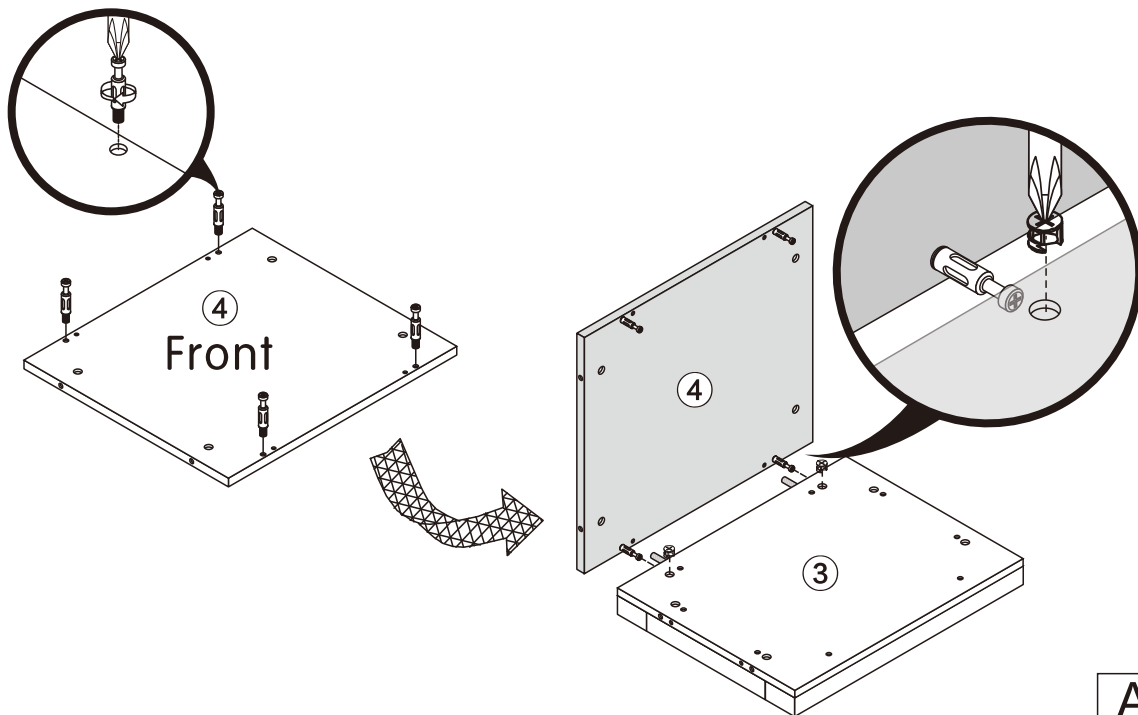
D	16PCS	H ₁	6PCS	I ₁	2PCS
<p>3.5*14mm</p>		<p>14#</p>		<p>12#</p>	

4



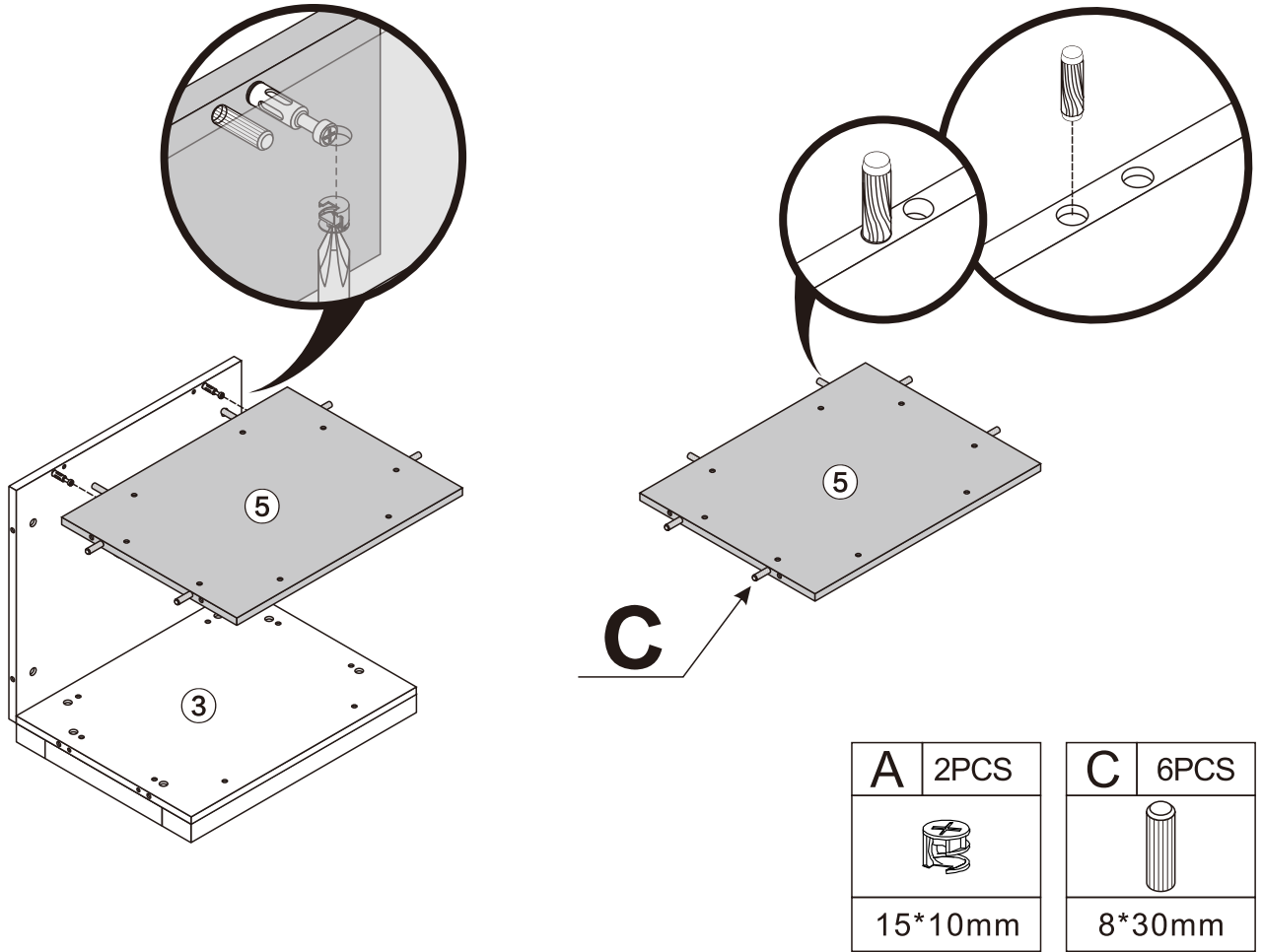
C	6PCS	F	8PCS	J	8PCS
8*30mm		6*25mm			

5

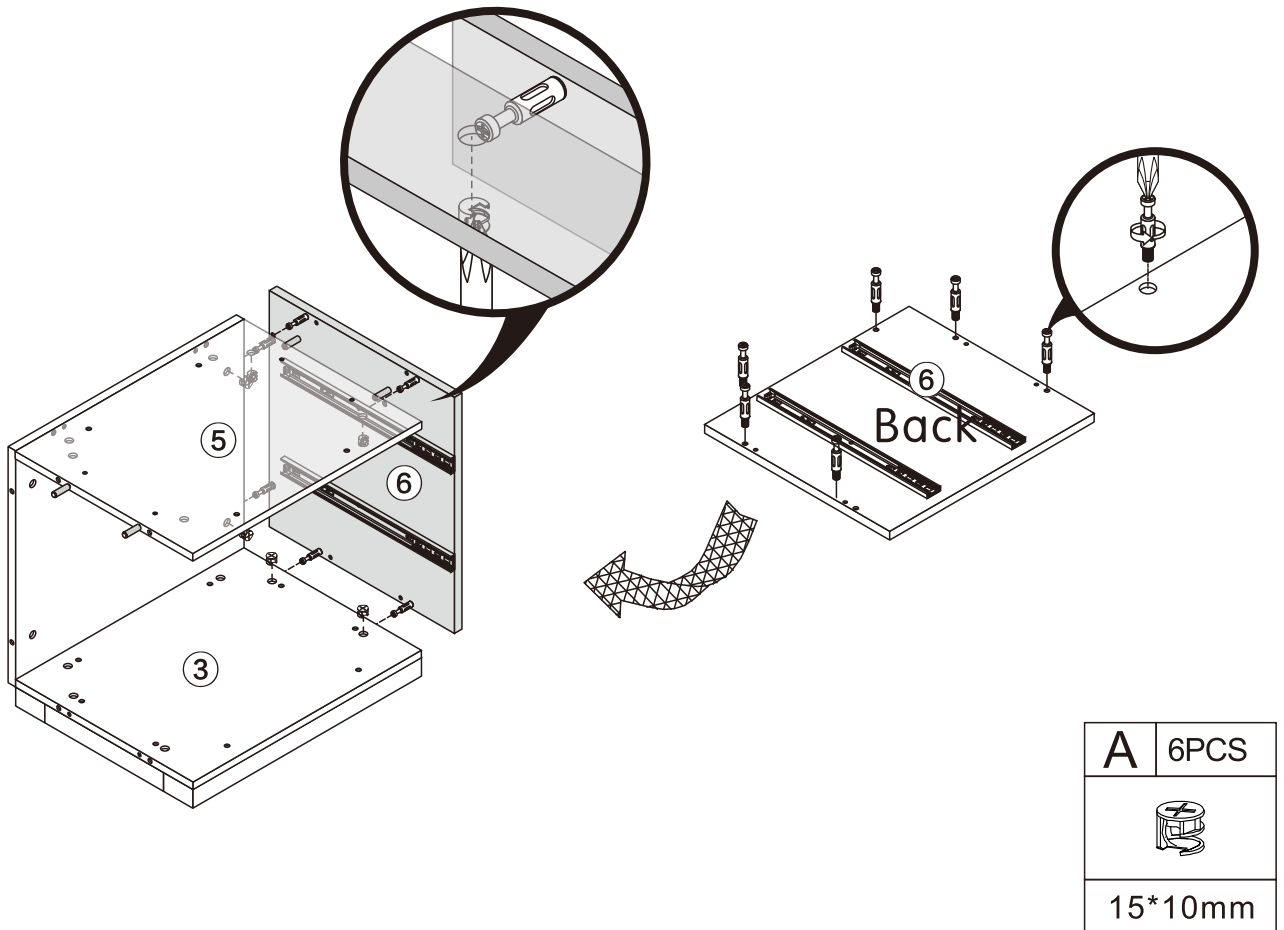


A	2PCS
15*10mm	

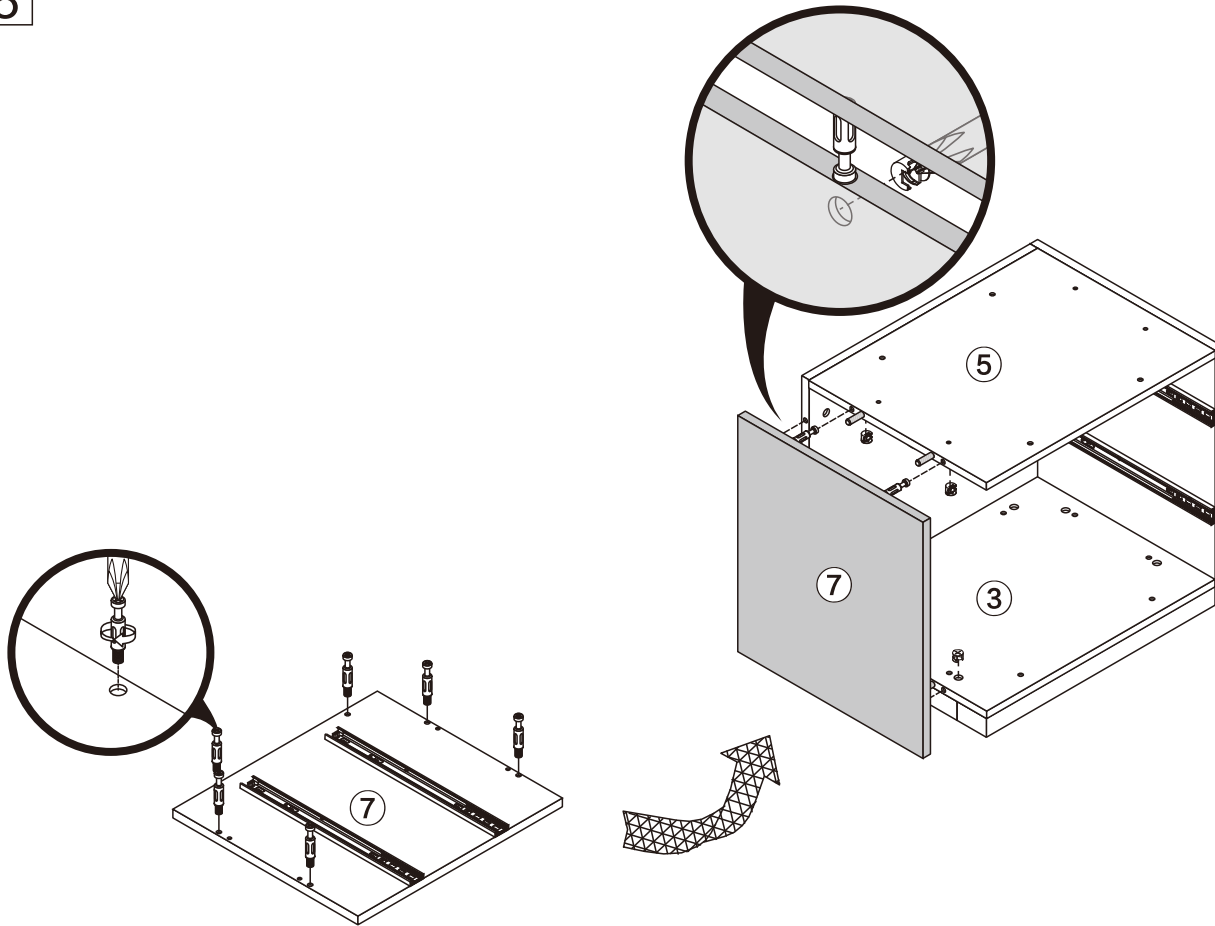
6



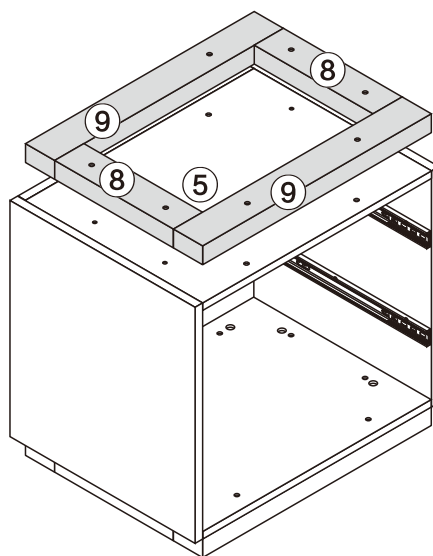
7



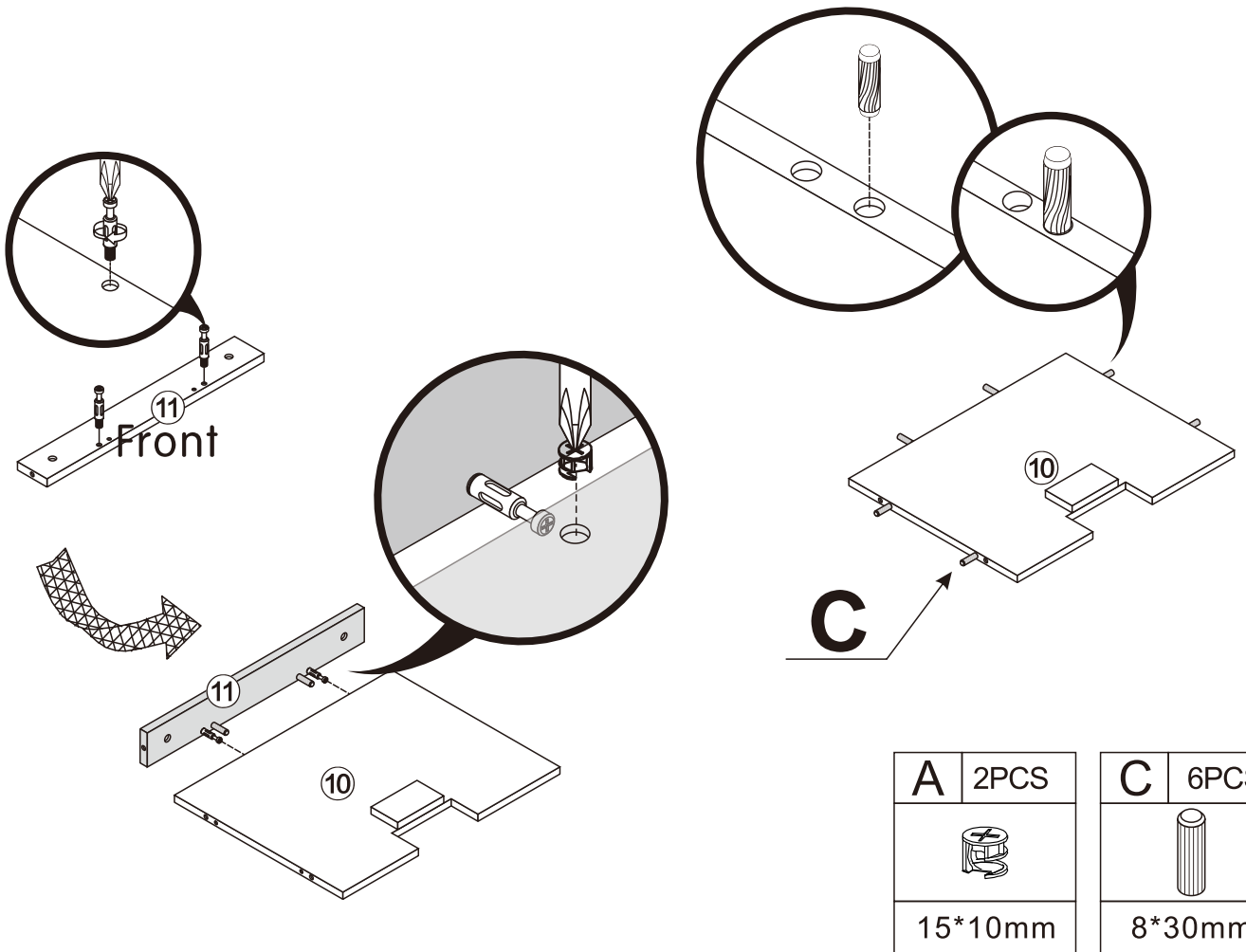
8




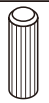
9



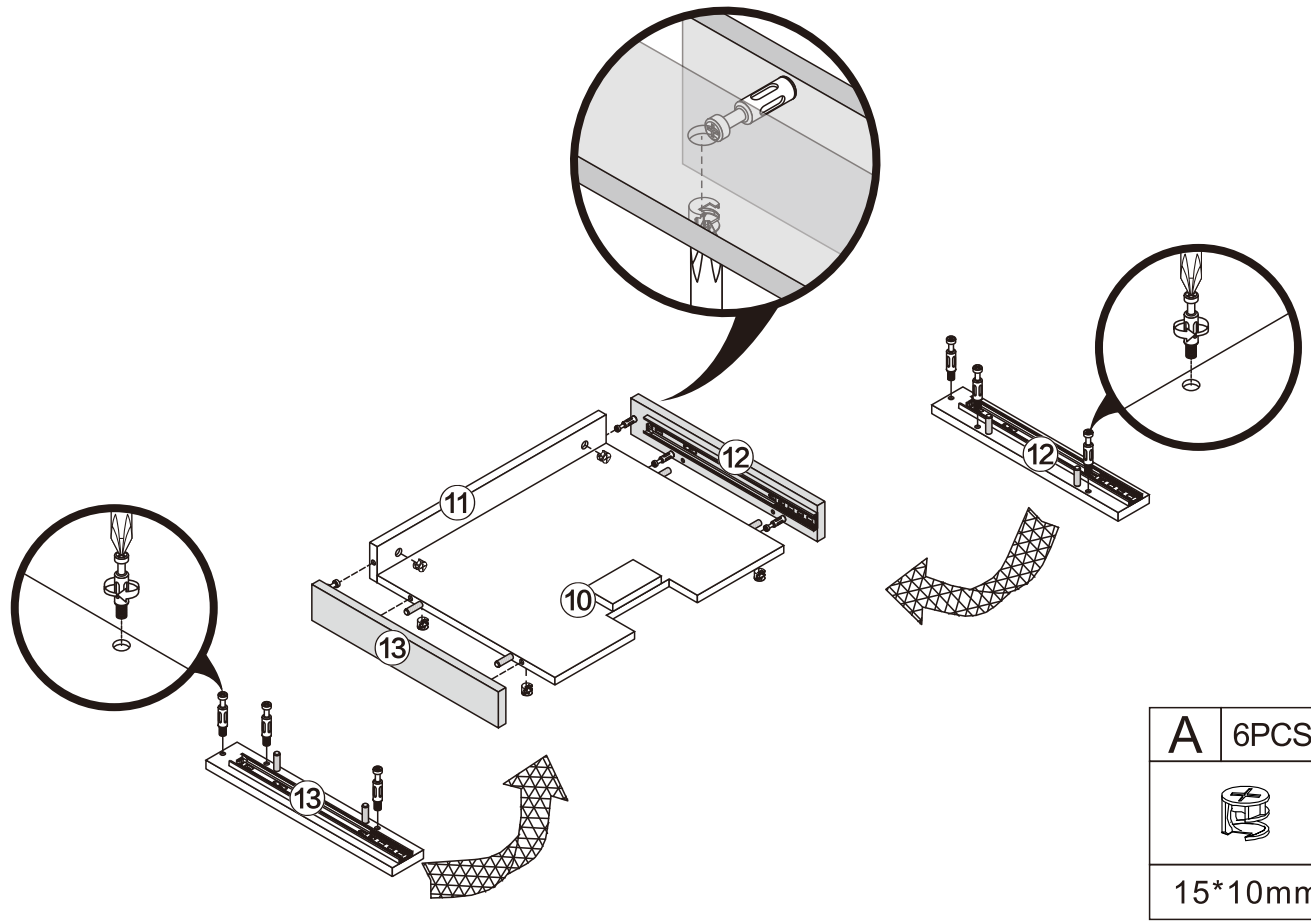
10




A	2PCS
	
15*10mm	

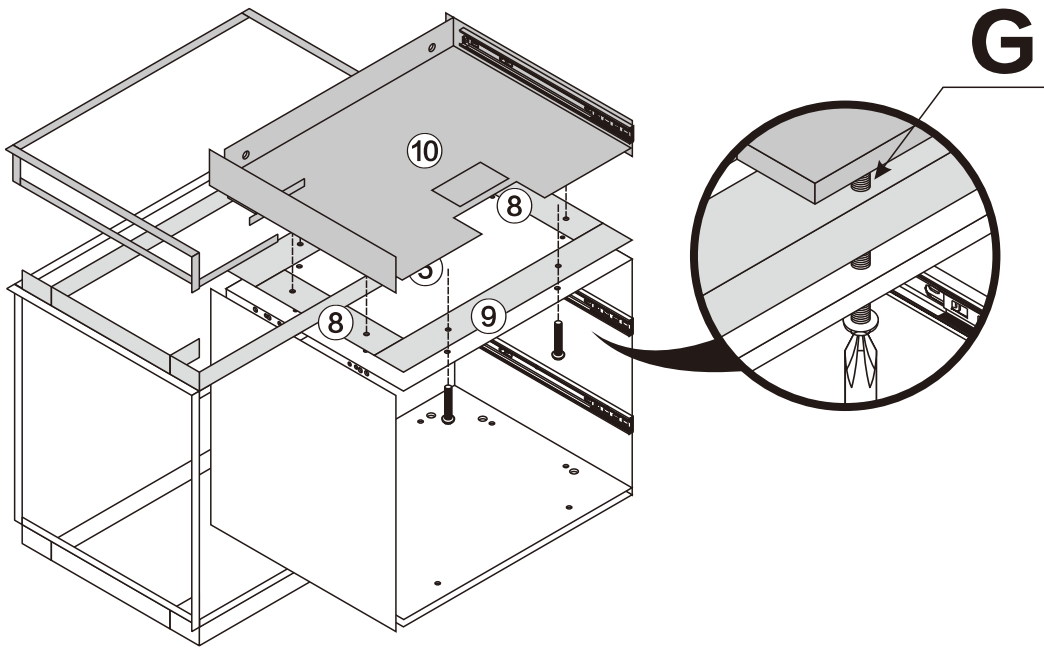
C	6PCS
	
8*30mm	


11



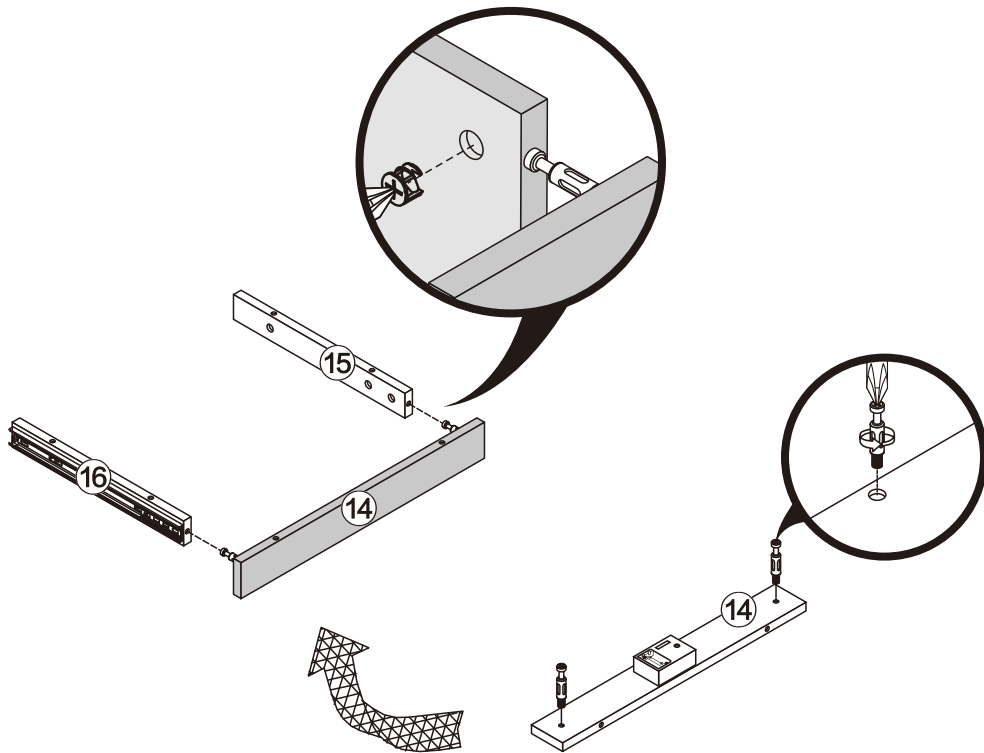
A	6PCS
	
15*10mm	


12

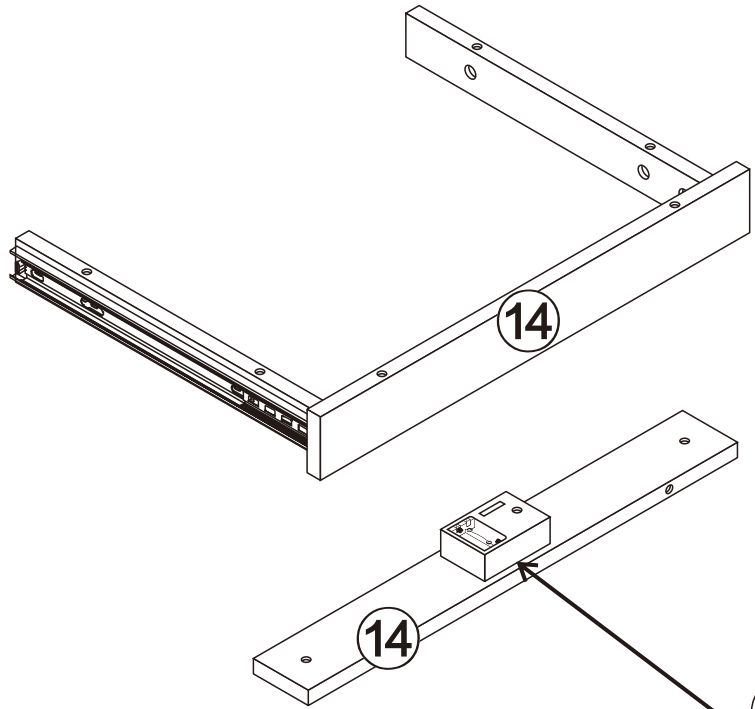


G	8PCS
	
6*50mm	

13

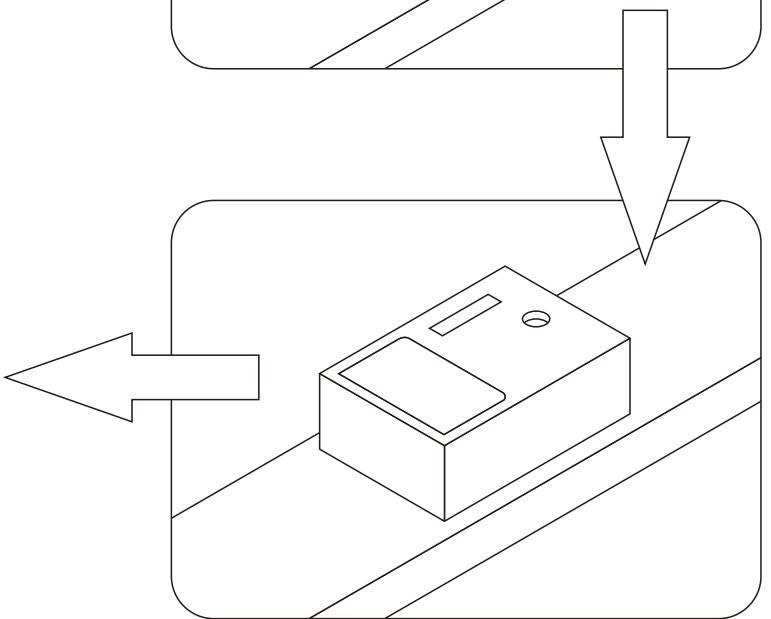
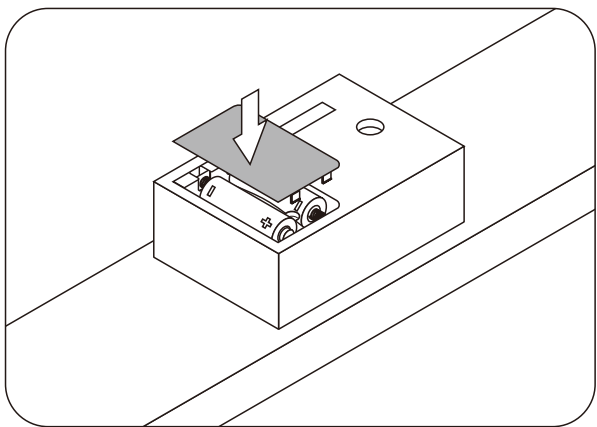
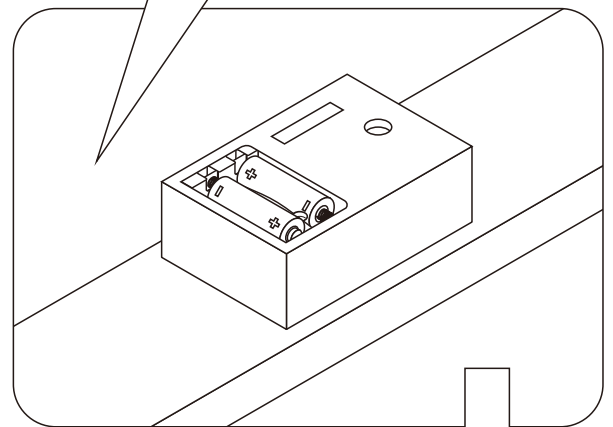
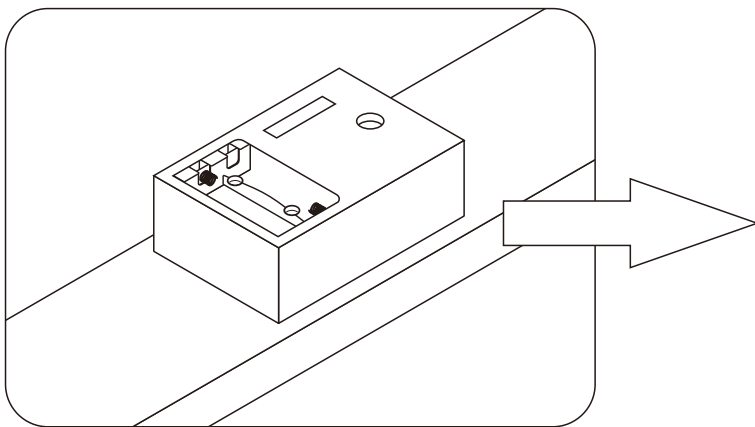


A	2PCS
	
15*10mm	

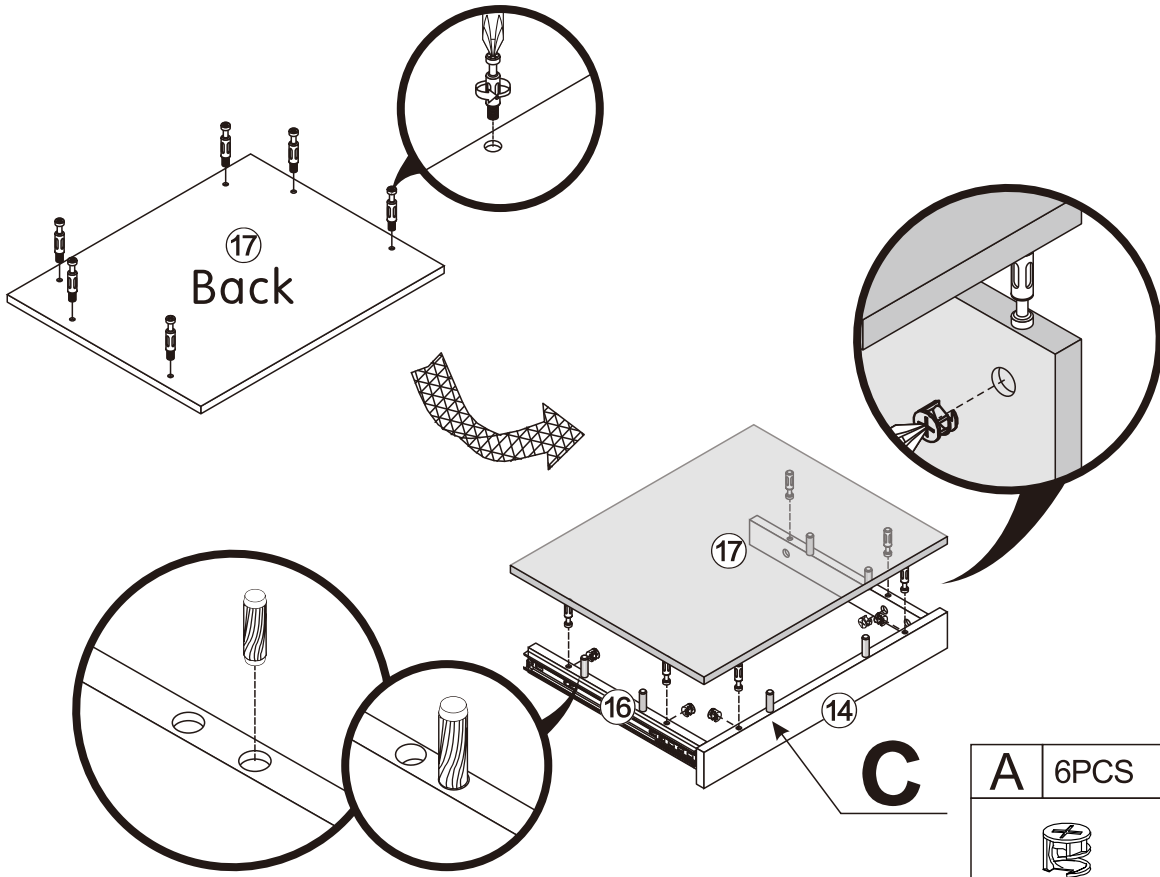



PRE-INSTALLATION REQUIREMENT:

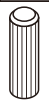
Step 1: Please install 2 AA batteries into the induction lock.
Step 2: Proceed with cabinet installation.
Note: The drawers will not function if the cabinet is installed without batteries.



15



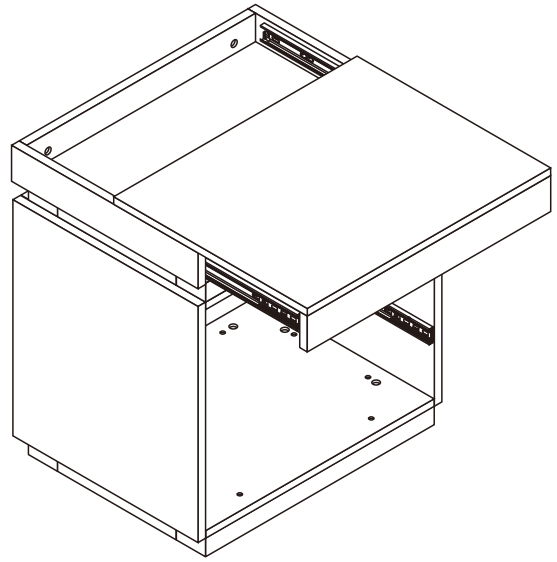
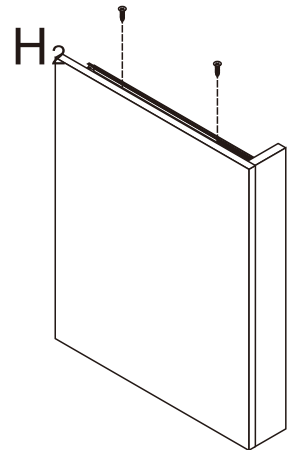
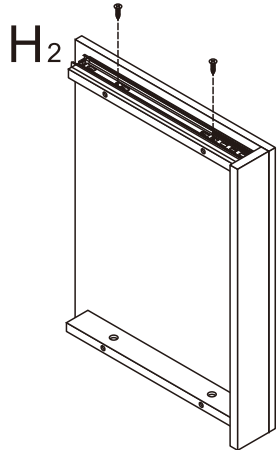
A	6PCS
	
15*10mm	


C	6PCS
	
8*30mm	


16



Dx4

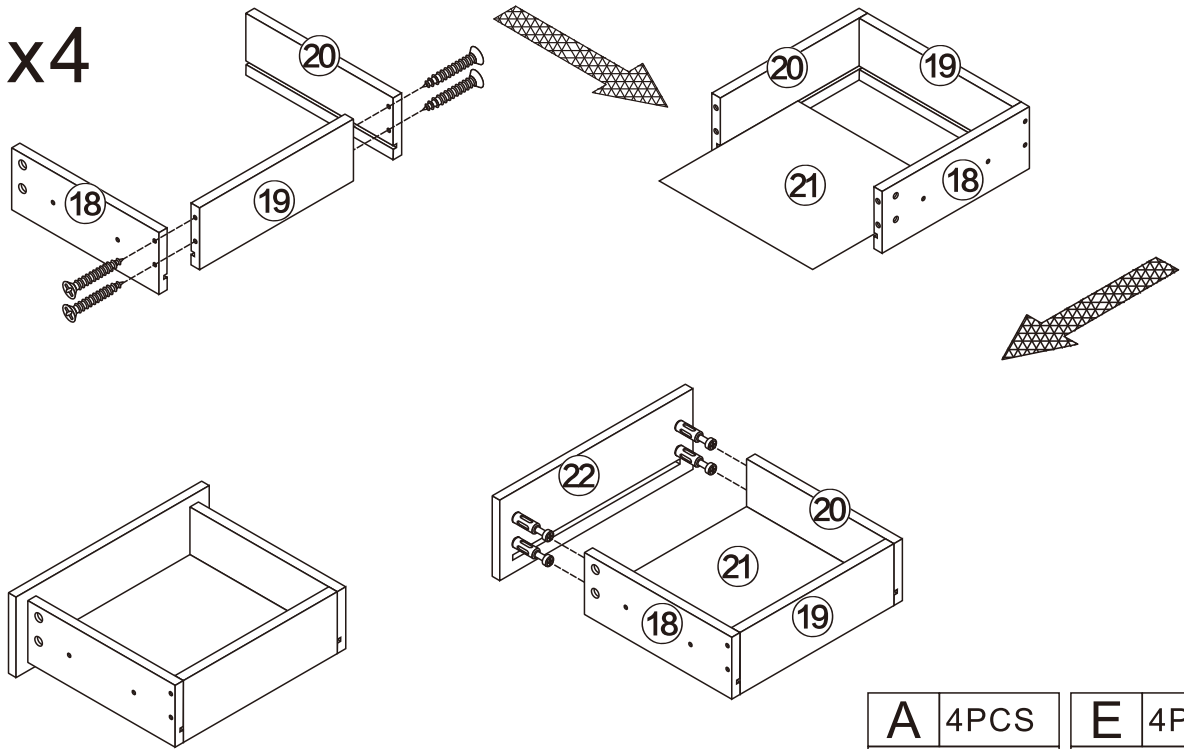




D	4PCS
	
3.5*14mm	

H₂	2PCS
	
14#	

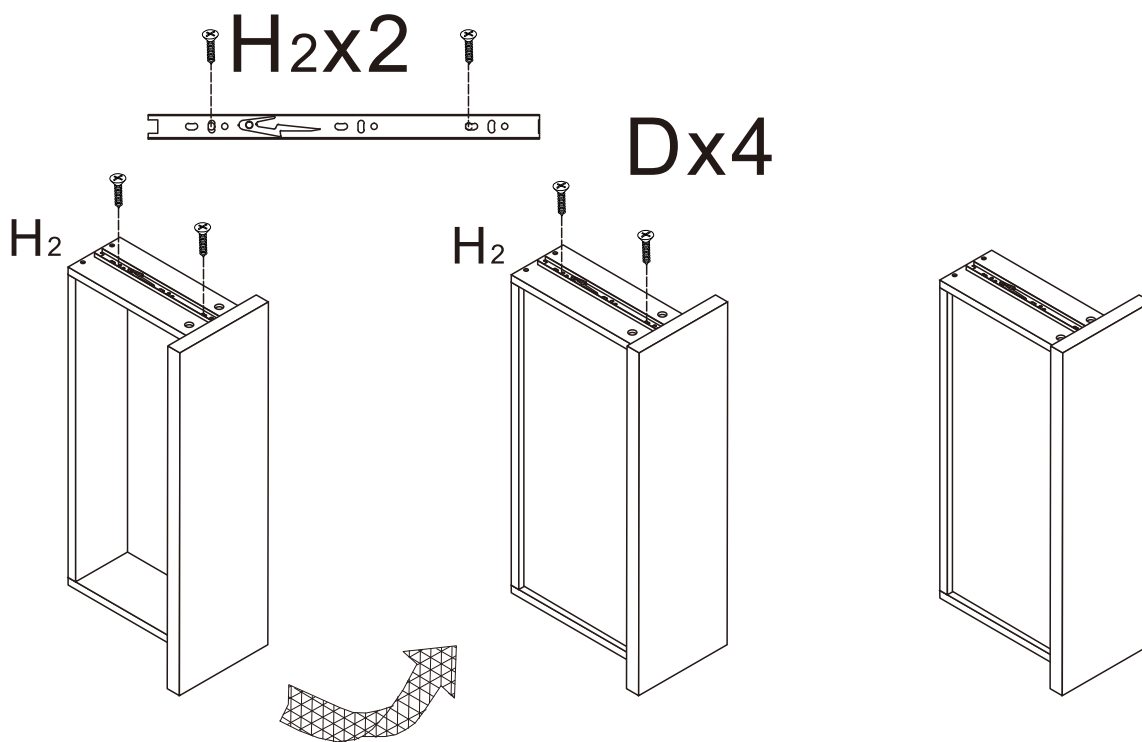
17



Ex4



A	4PCS	E	4PCS
			
15*10mm		3.5*40mm	

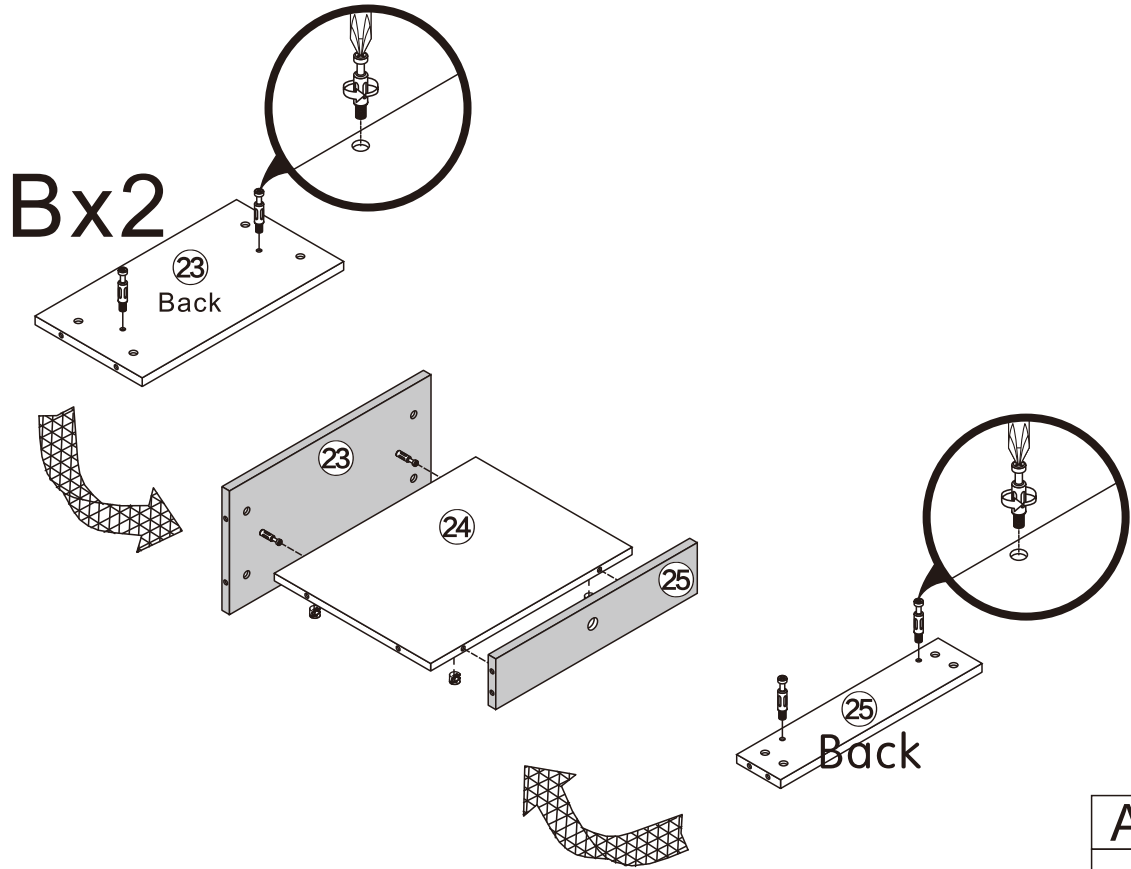
18




D	4PCS	H ₂	2PCS
			
3.5*14mm		14#	

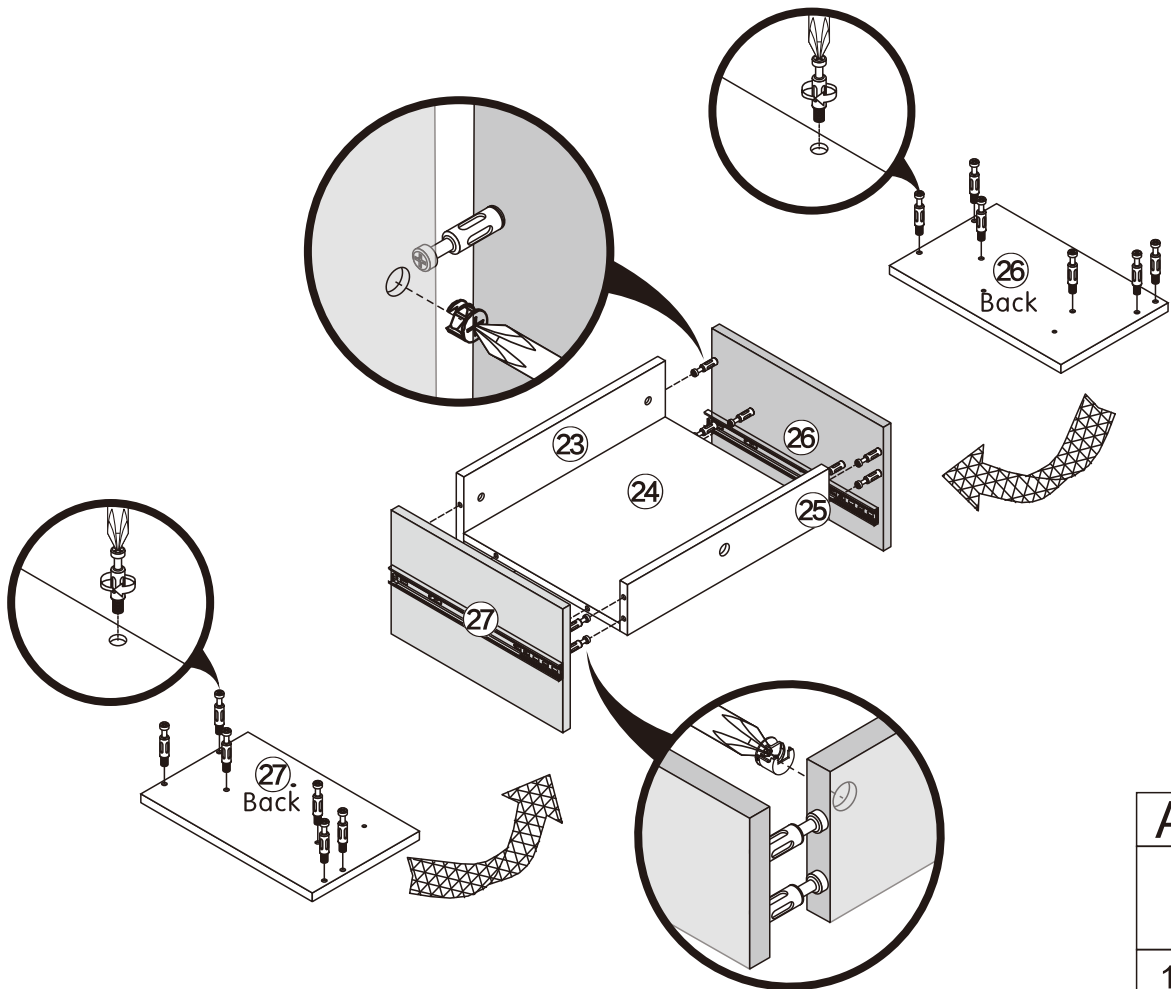
19


Bx2



A	4PCS
	
15*10mm	

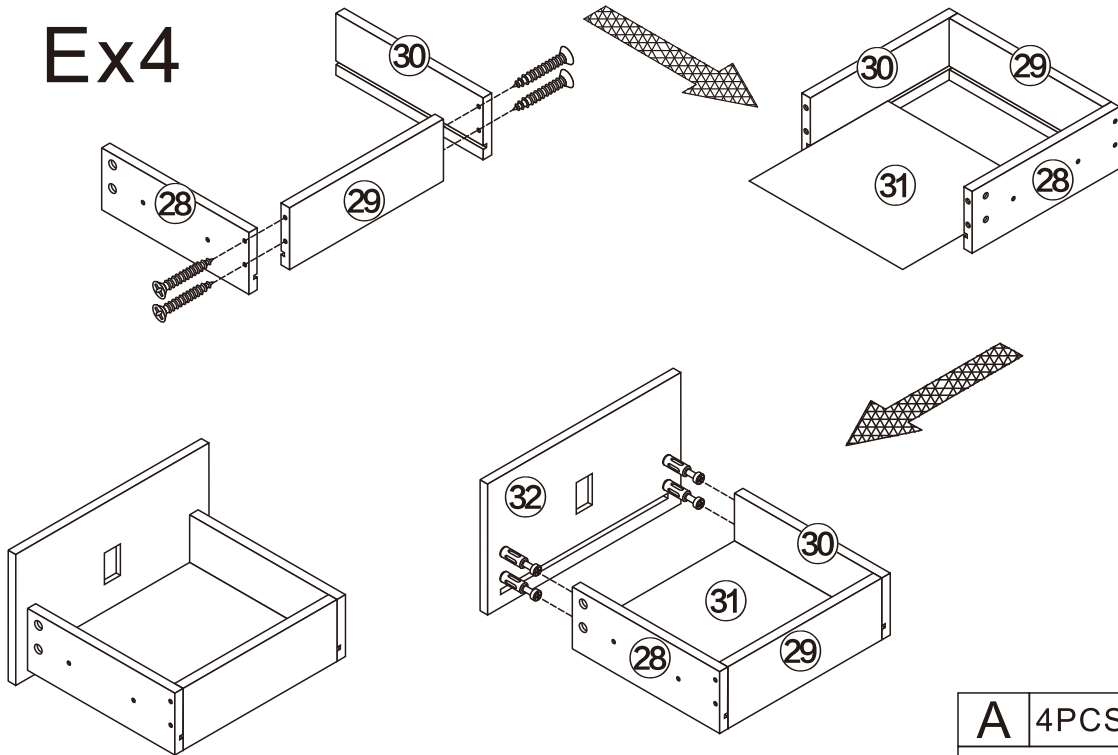
20





A	12PCS
	
15*10mm	

21

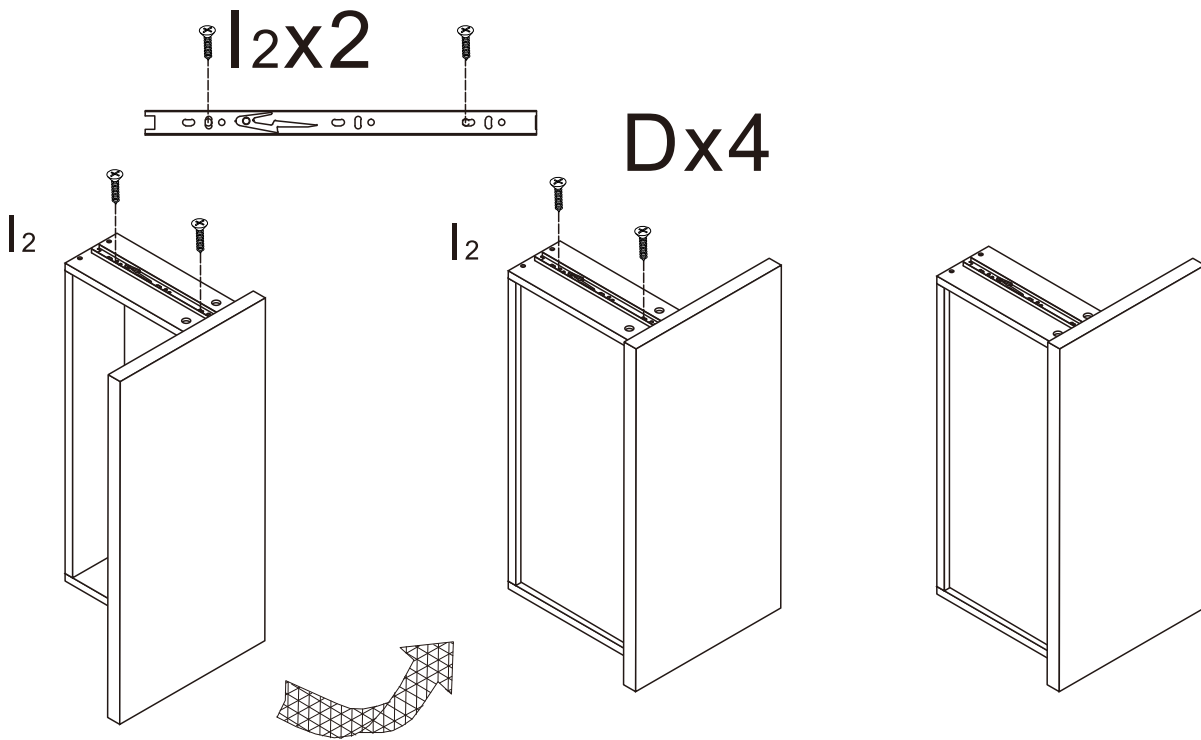
Ex4





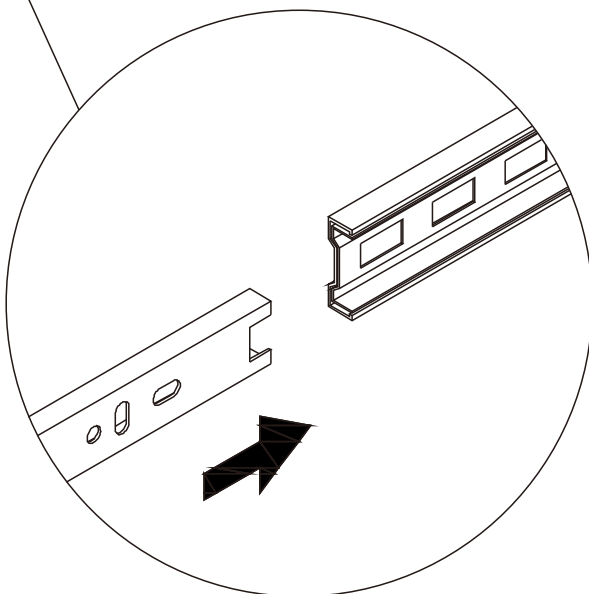
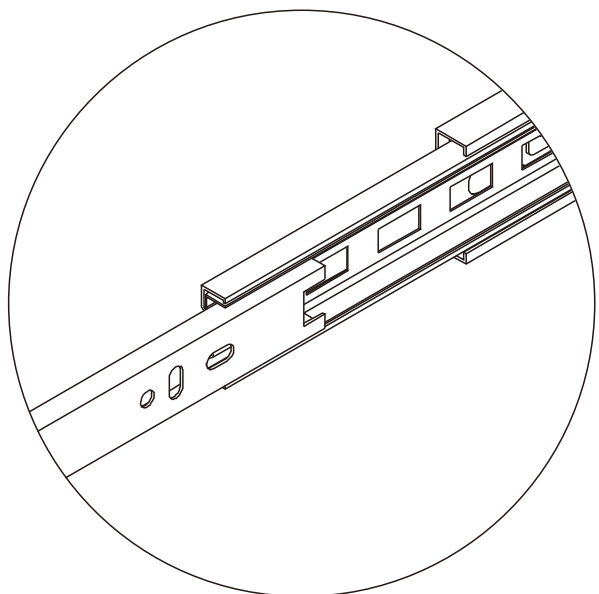
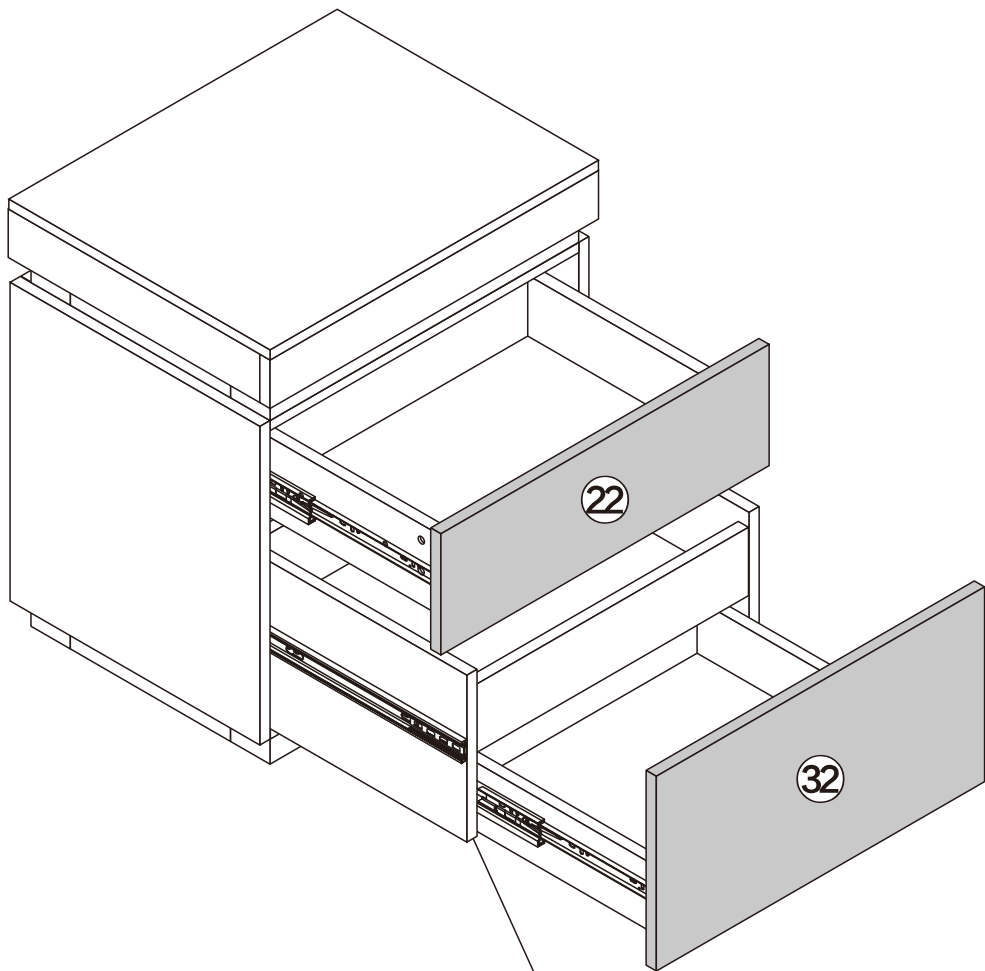
A	4PCS	E	4PCS
			
15*10mm		3.5*40mm	


22

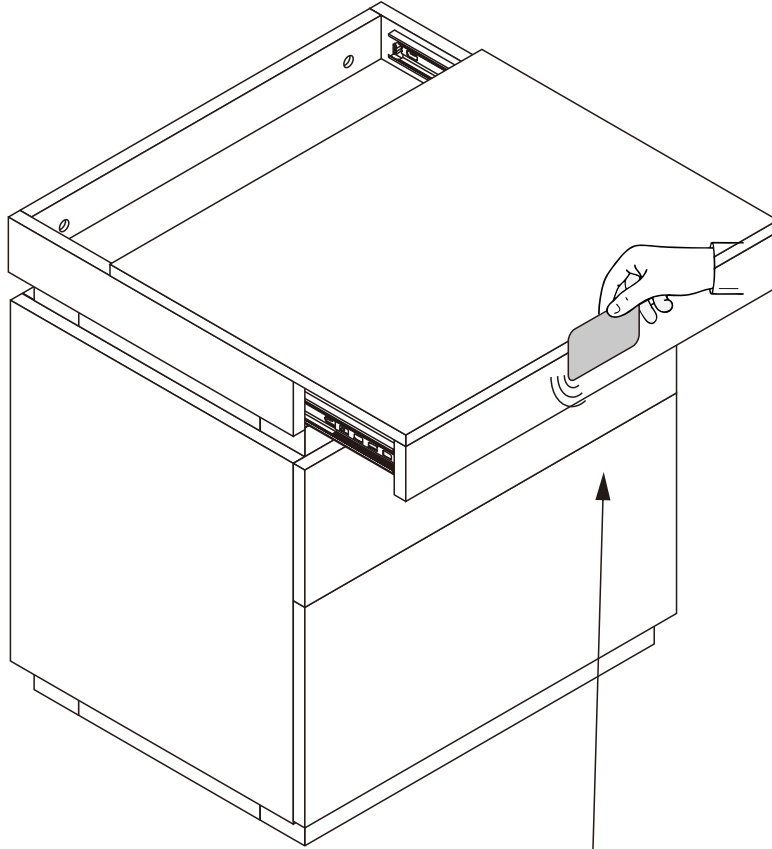
Dx4



D	4PCS	I₂	2PCS
			
3.5*14mm		12#	

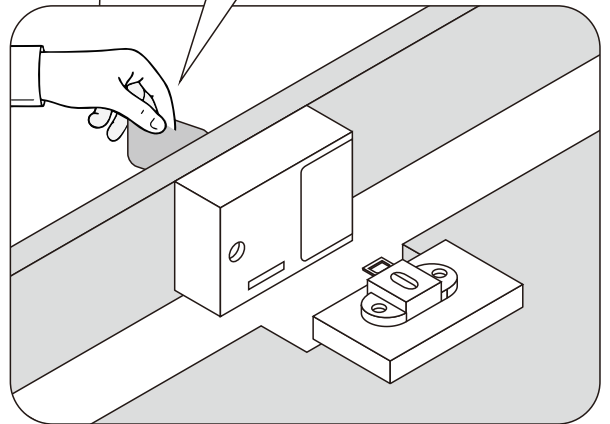
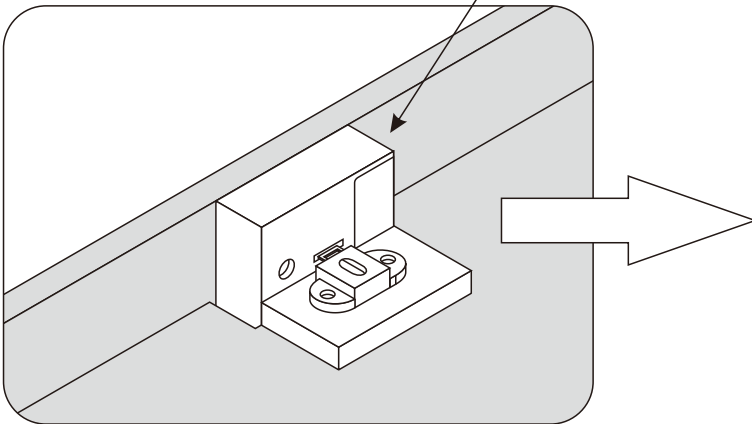


D	4PCS
	
3.5*14mm	



Account opening
with induction card

L



OK!