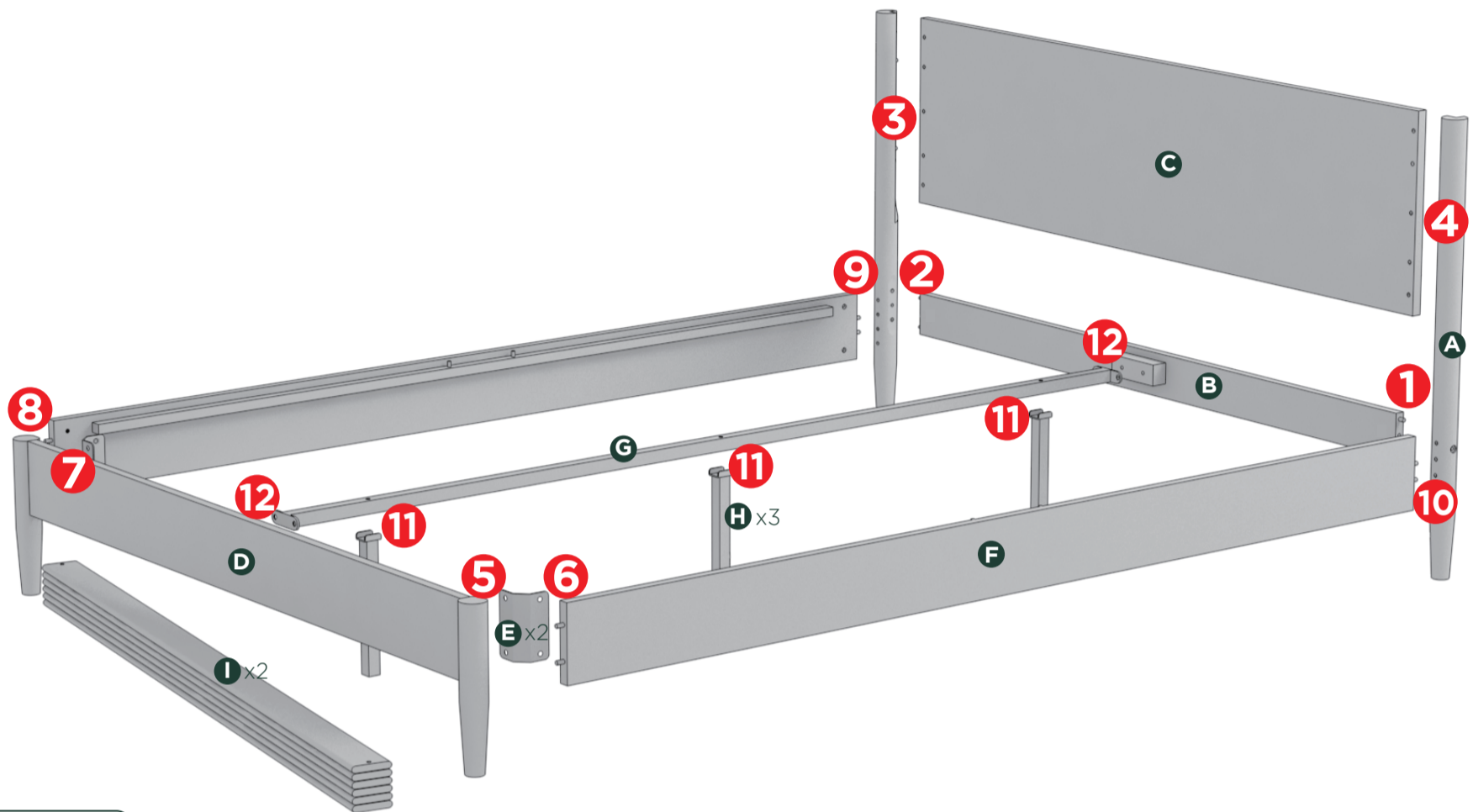
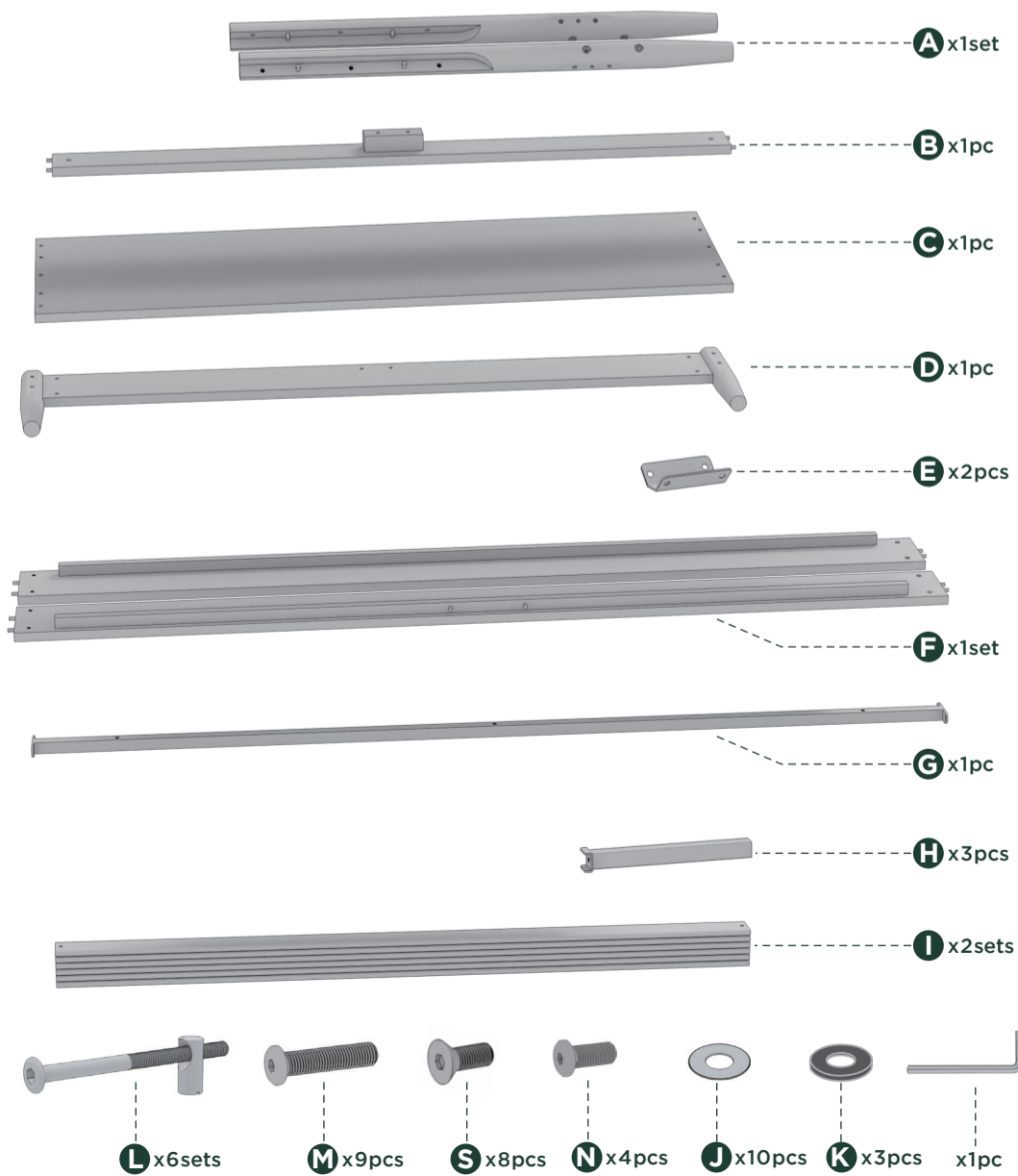


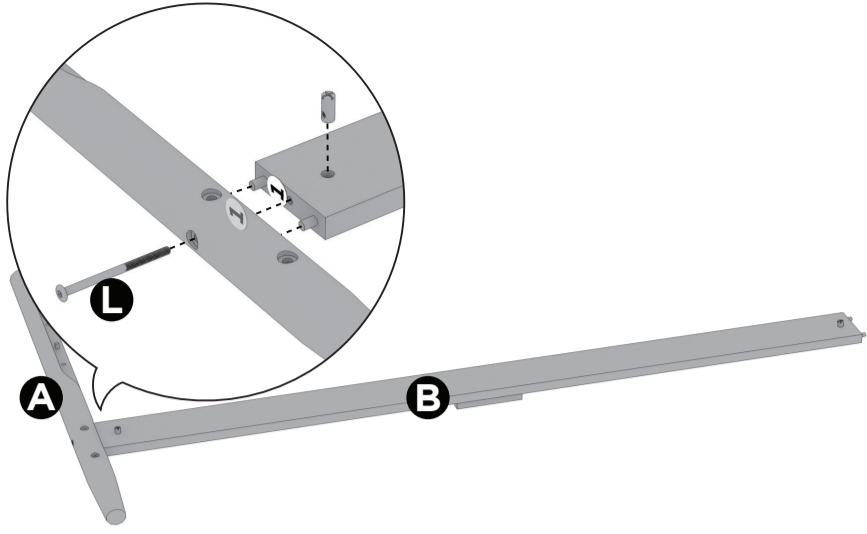
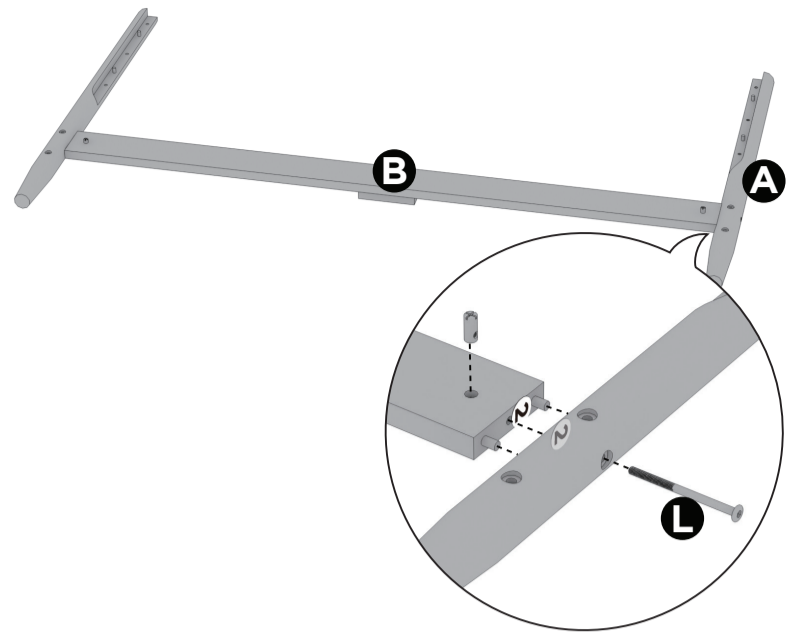
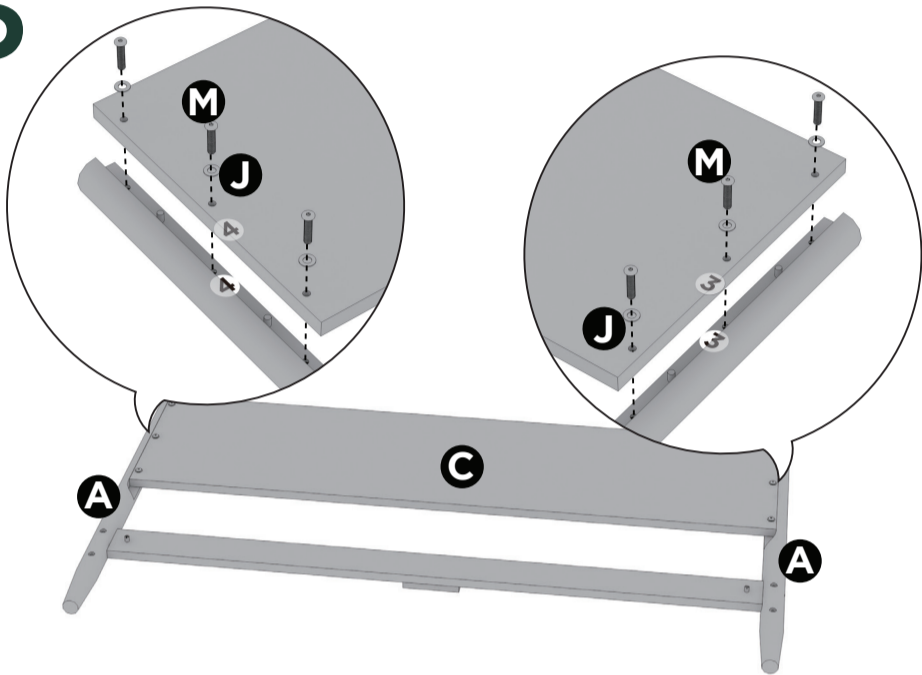
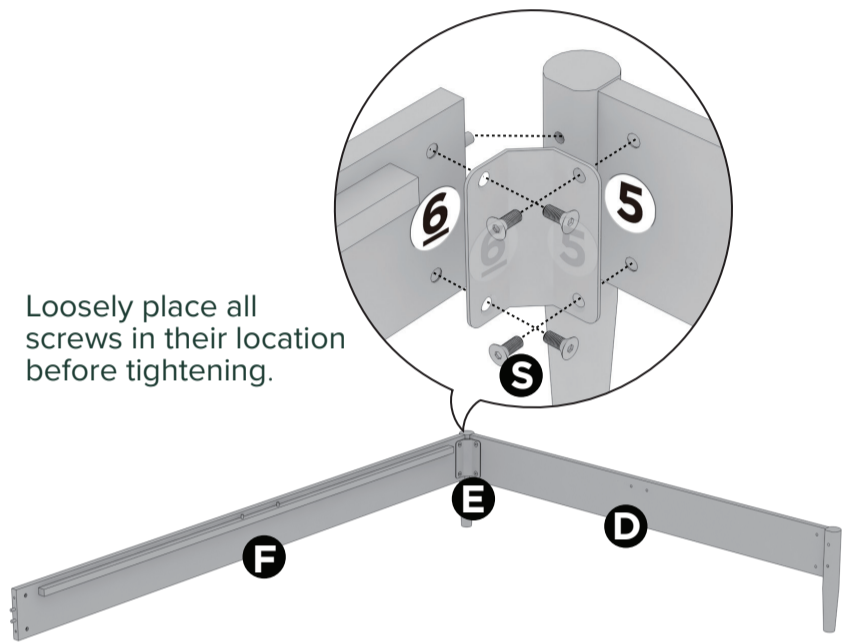
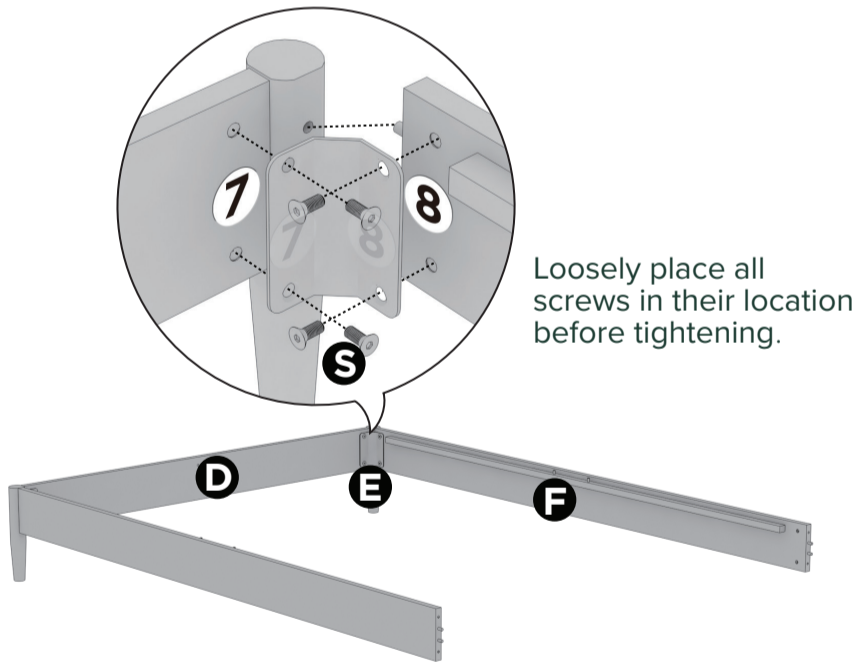
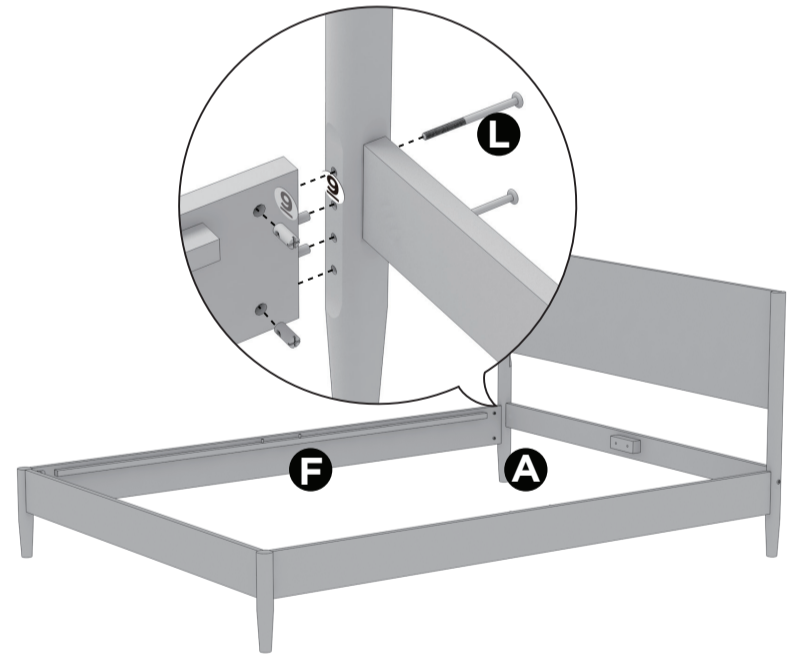
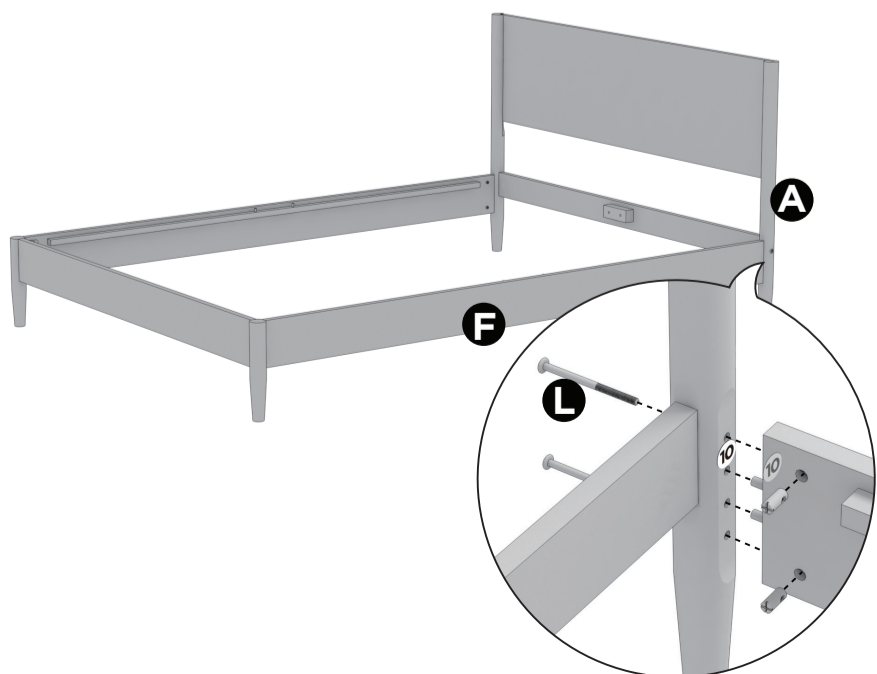
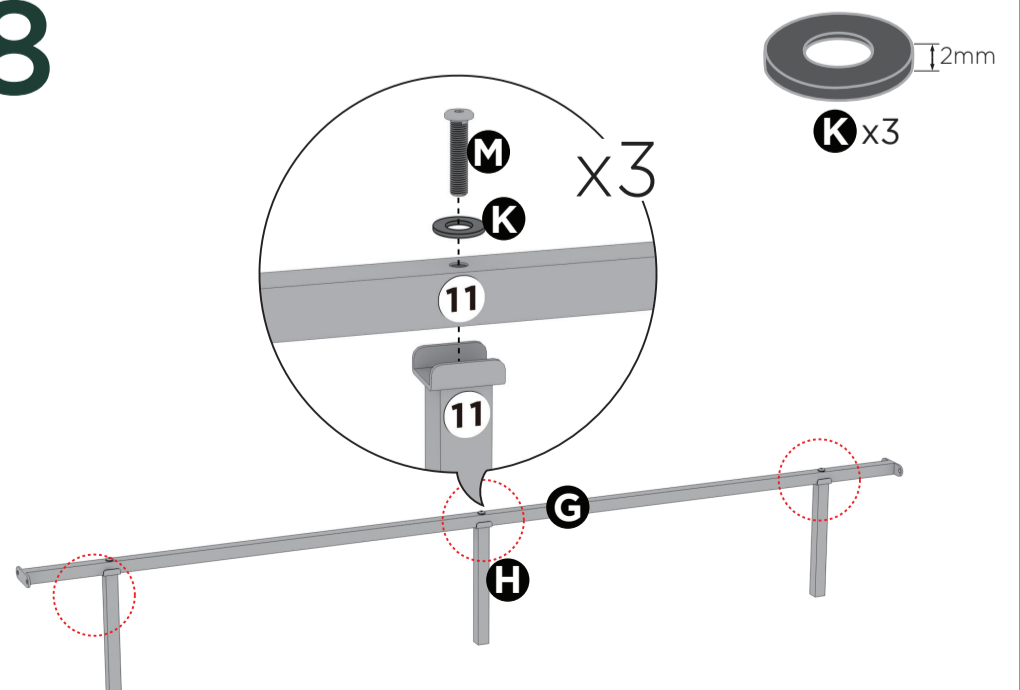
# Easy as 1-2-3 Assembly Instruction

Numbers must Match for Secure Assembly

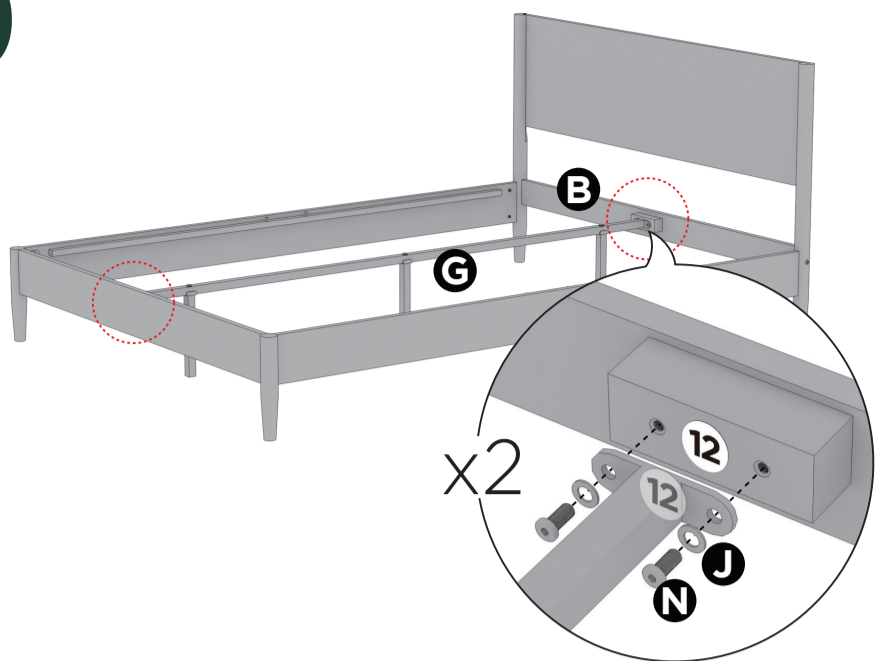


## Components

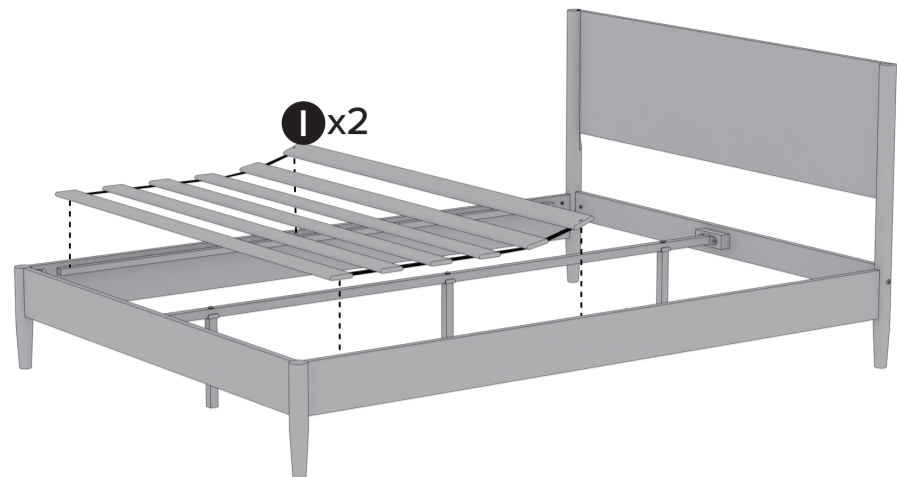


**1****2****3****4****5****6****7****8**

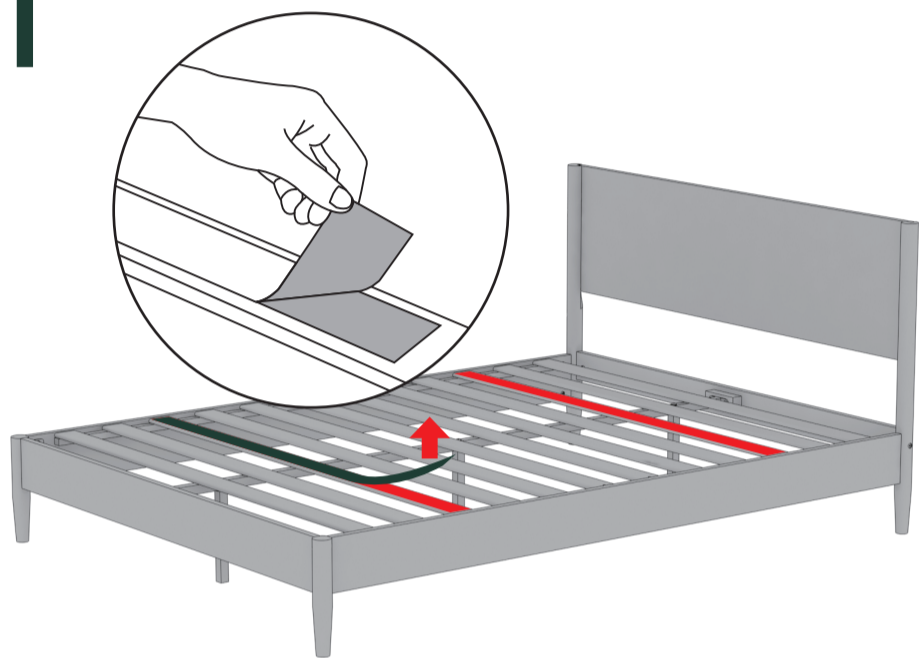
9



10



11



12

