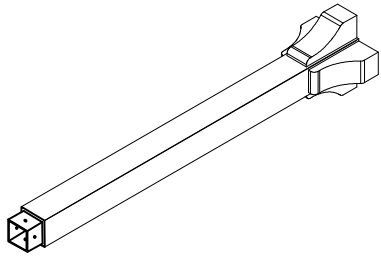


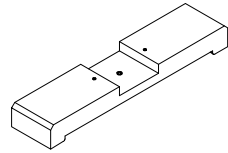
ASSEMBLY INSTRUCTION

COMPONENTS LIST

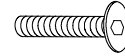
① Post-lower section x 1



④ Pedestal-bottom x 1



⑧ 2.5" Machine Screw x 1



⑨ Double Hook x 4



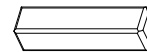
⑩ Single Hook x 4



⑪ Hex key x 1



⑫ Square wooden dowel x 1



⑬ Square section x 1



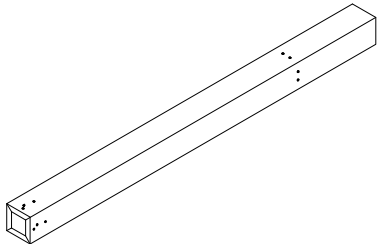
⑤ Wooden Dowel x 2



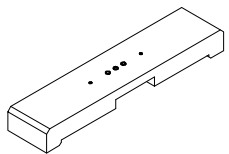
⑥ M4*12 Wood Screw x 24



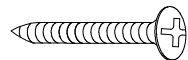
② Post-upper section x 1



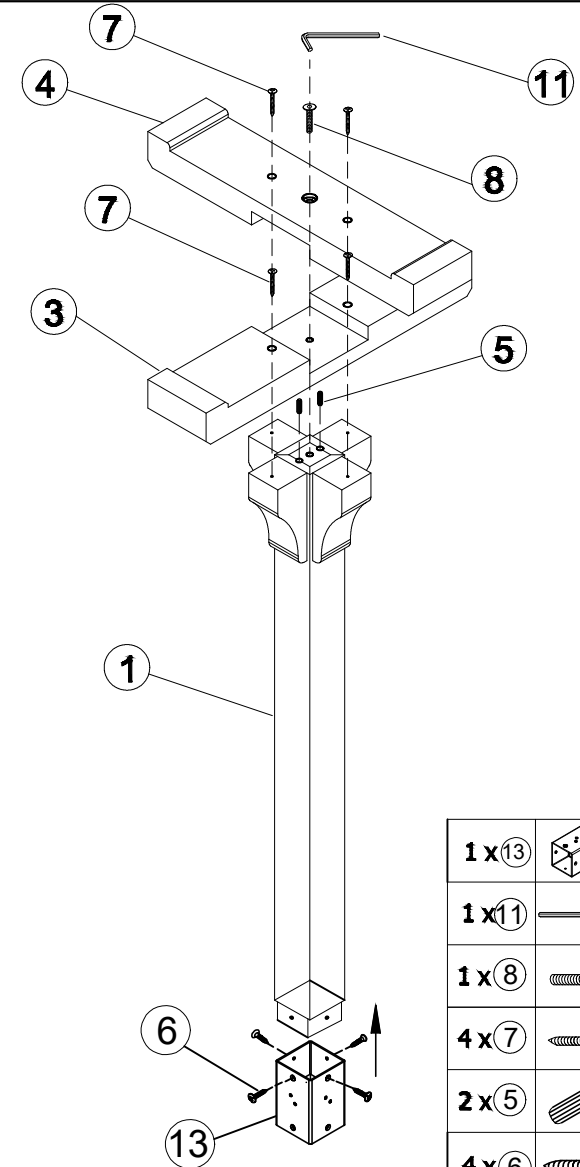
③ Pedestal-top x 1



⑦ M4*40 Wood Screw x 4

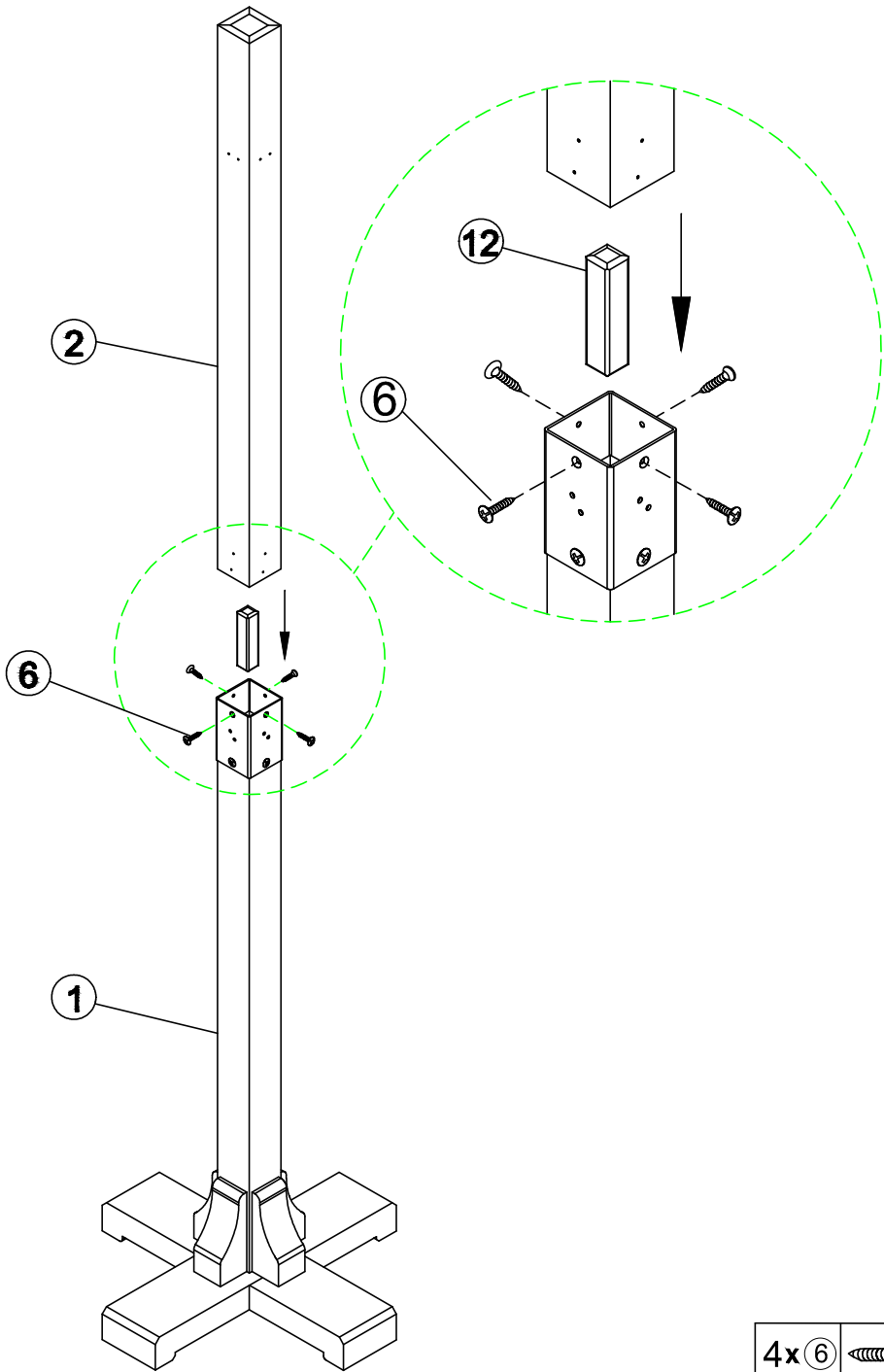



STEP 1



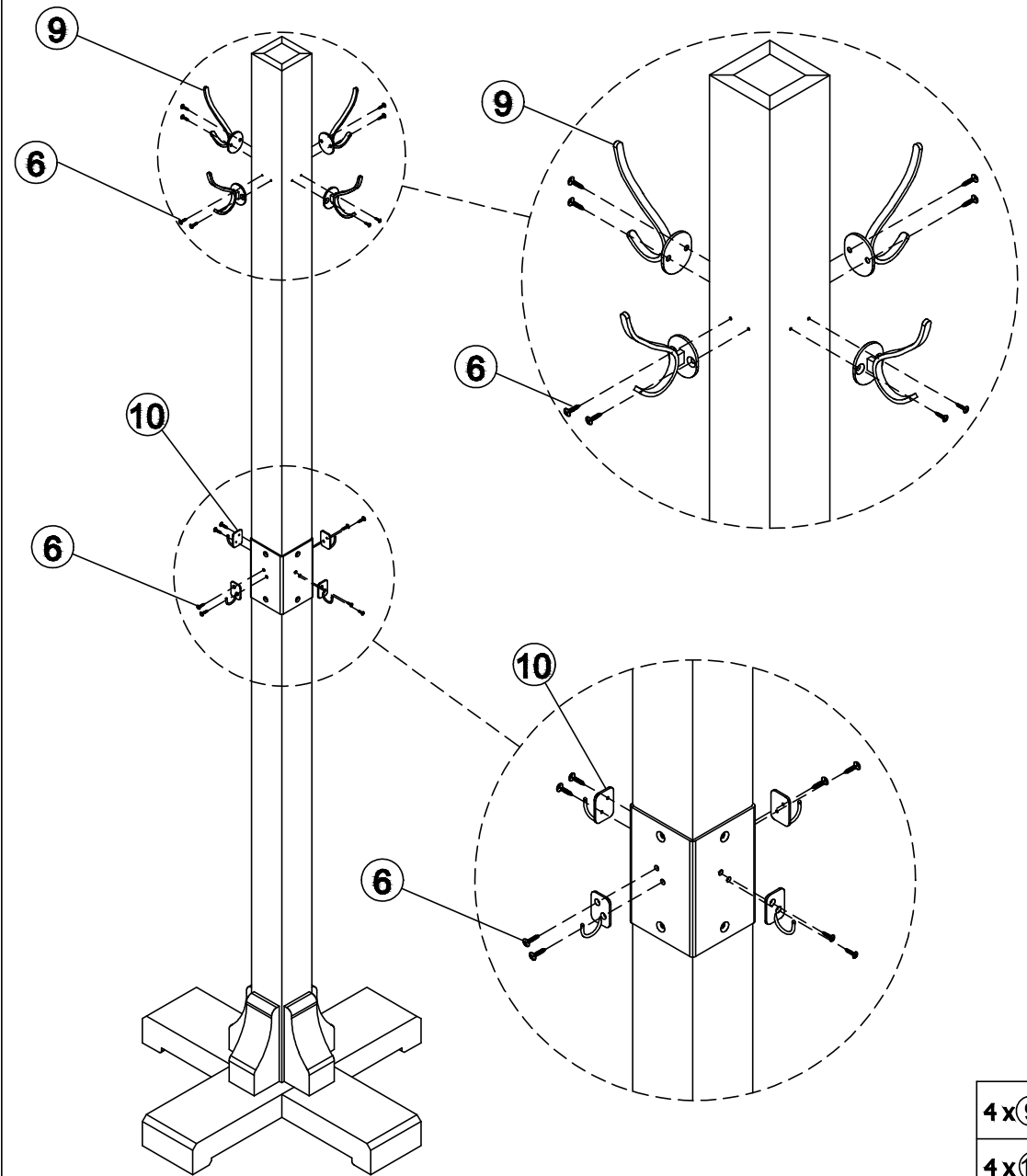
1 x ⑬	
1 x ⑪	
1 x ⑧	
4 x ⑦	
2 x ⑤	
4 x ⑥	



STEP 2



4 x 6 

STEP 3



4 x 9	
4 x 10	
16 x 6	