





KINCAID

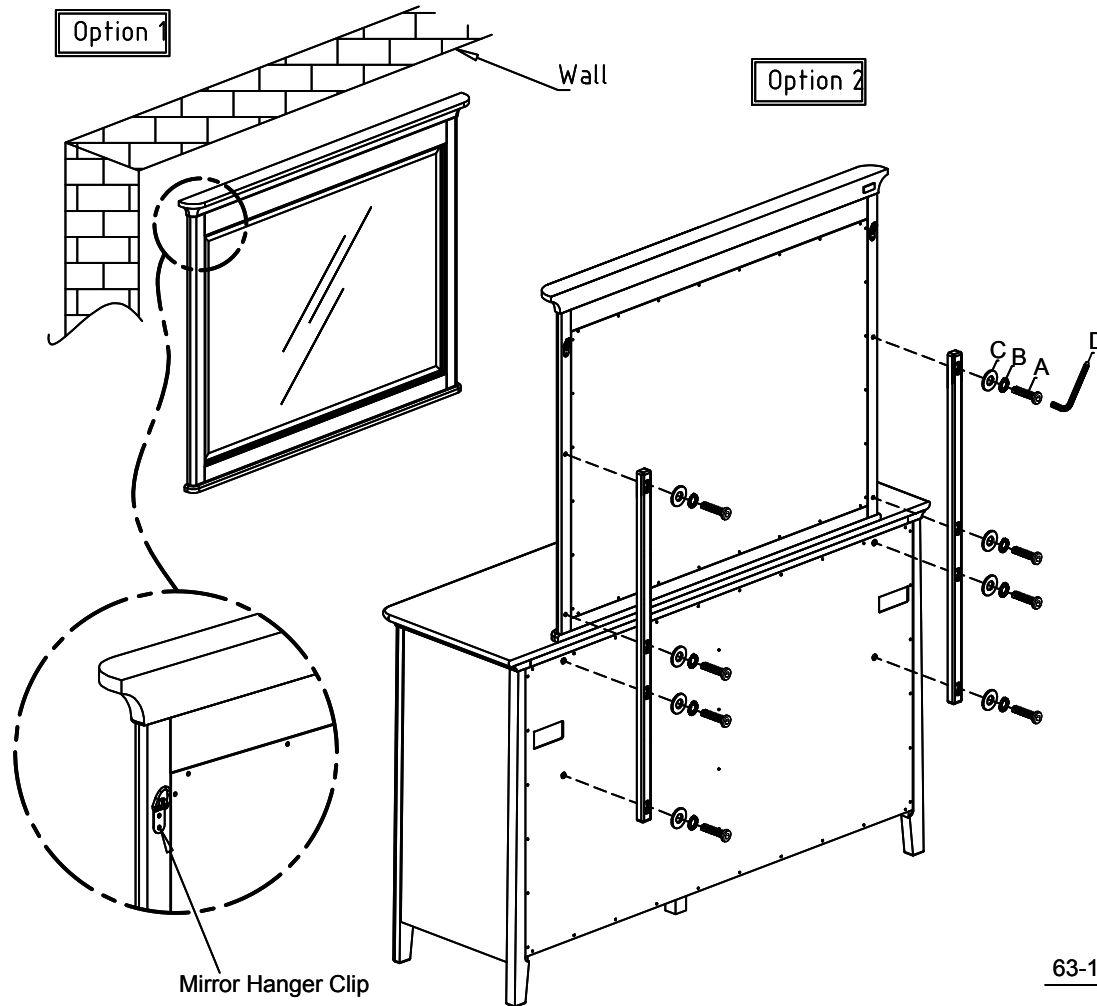
—SOLID WOOD SINCE 1946—

www.kincaidfurniture.com
phone :828-728-3261.

63-114V Portrait Mirror Assembly Instruction

Hardware List

CODE	DESCRIPTION	QTY
A	 Bolts Ø 1/4" * 1-3/8"	8
B	 Lock Washer Ø 1/4"	8
C	 Flat Washer Ø 1/4" * 19D	8
D	 Allen Key 100*50*4 MM	1



IMPORTANT NOTES

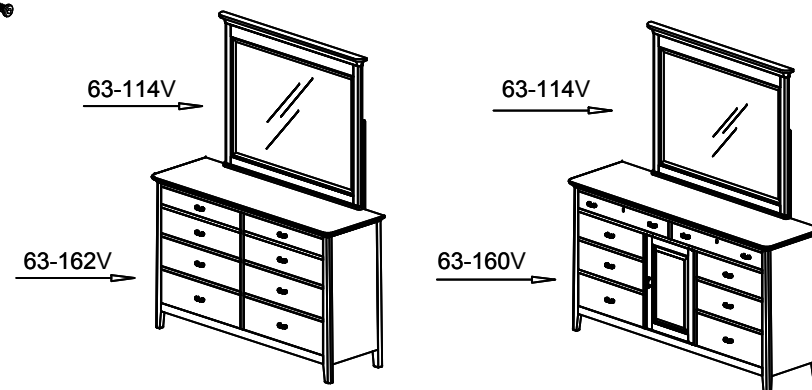
- . Place all wooden parts on clean and smooth surface such as rug or carpet to prevent the parts from being scratched.
- . Check to be sure that you have all parts and hardware.
- . Remove all wrapping materials, including staples and packing straps before you start to assemble.
- . Do not tighten all crews and bolts until completely assembled.
- . Keep all hardware out of the reach of children

Step 1: Assemble mirror and dresser with mirror support

by using flat washer (C), lock washer (B) and bolt (A).

Do not tighten the bolt now.

Step 2: Tighten the bolts (A) with Allen key (D).



MADE IN VIETNAM