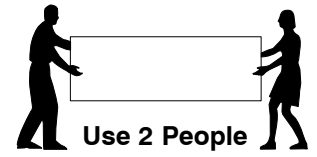
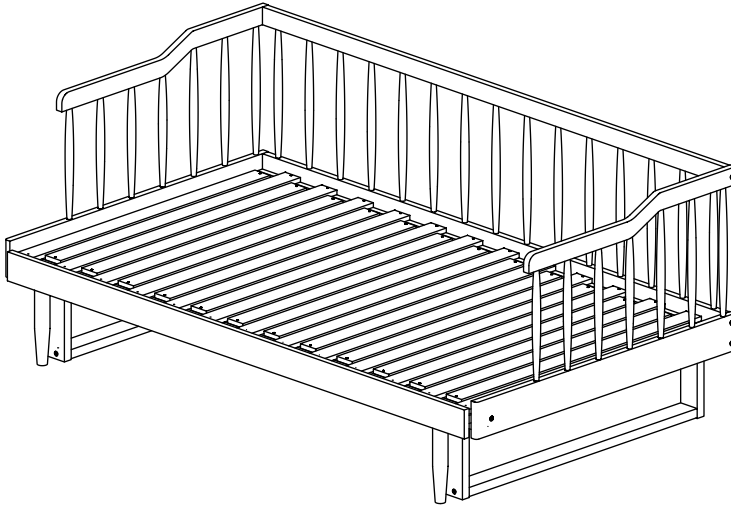


# Daybed

Assembly Instructions

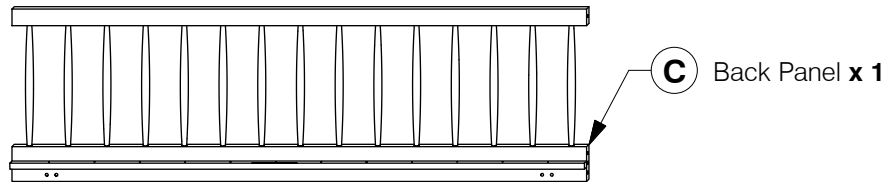
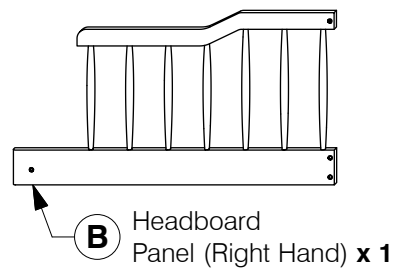
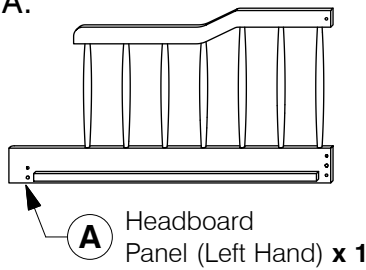
## 1 Assembled View



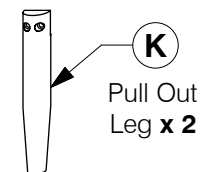
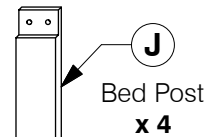
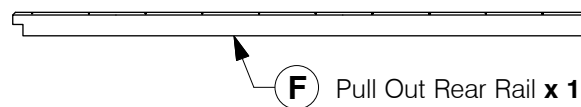
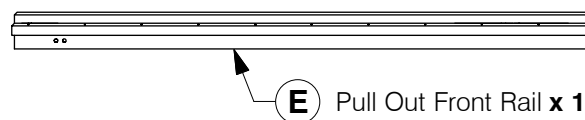
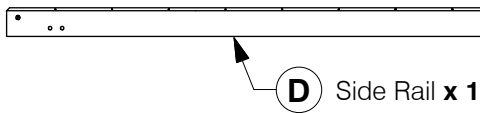
**Note:** Do not assemble using power tools. This can cause the bolts to be overtightened

## 2 Parts List

Parts in Box A:



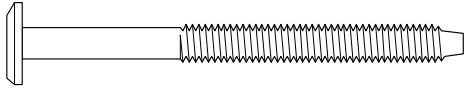
Parts in Box B:



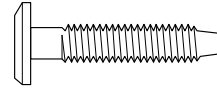
# Daybed

Assembly Instructions

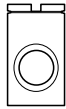
## 3 Hardware List



1 M6 x 70mm JCB  
x 12



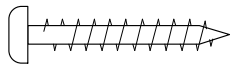
2 M6 x 30mm JCB  
x 12



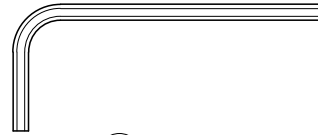
3 Barrel Nut  
x 8



4 Wood Dowel  
(10 x 40mm) x 12

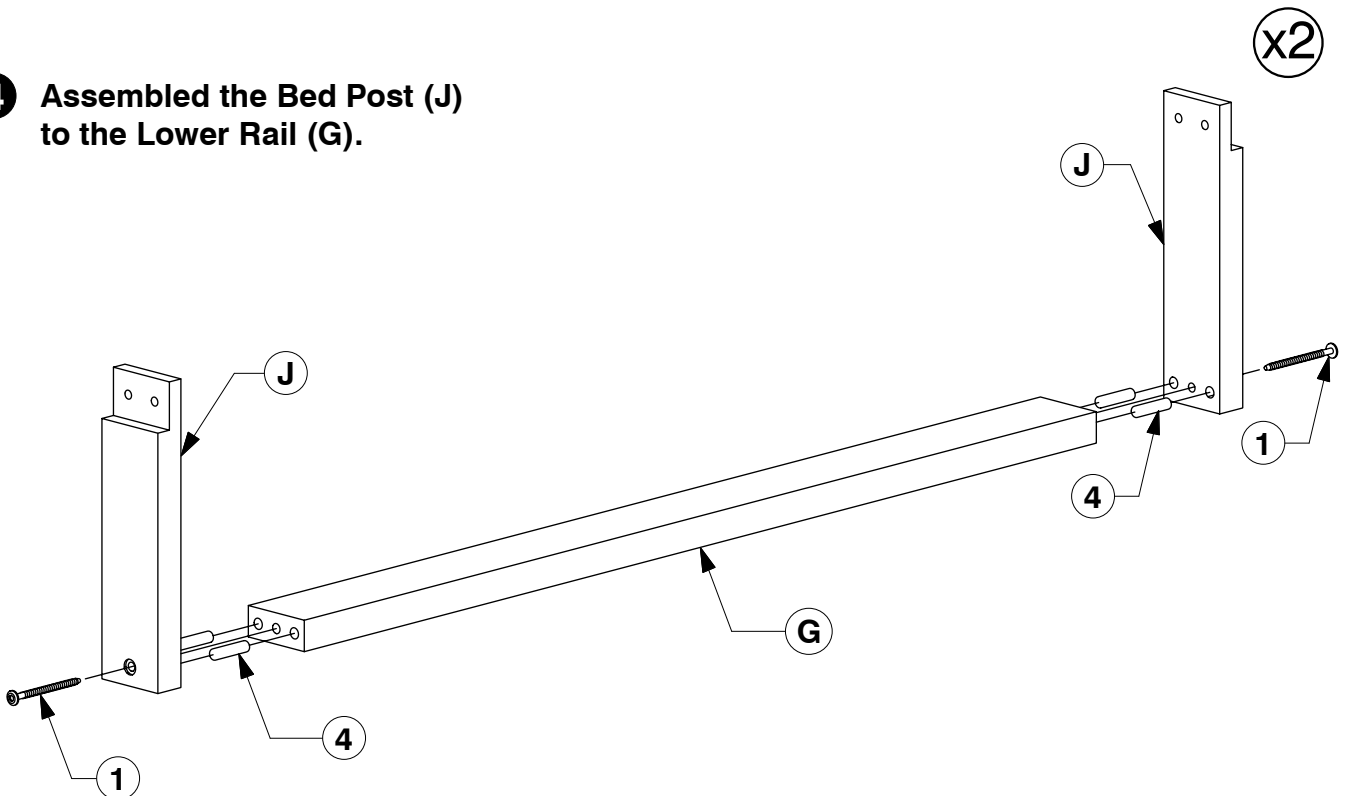


5 Wood Screw  
(M4 x 32mm) x 50



6 M4 Allen Key  
x 1

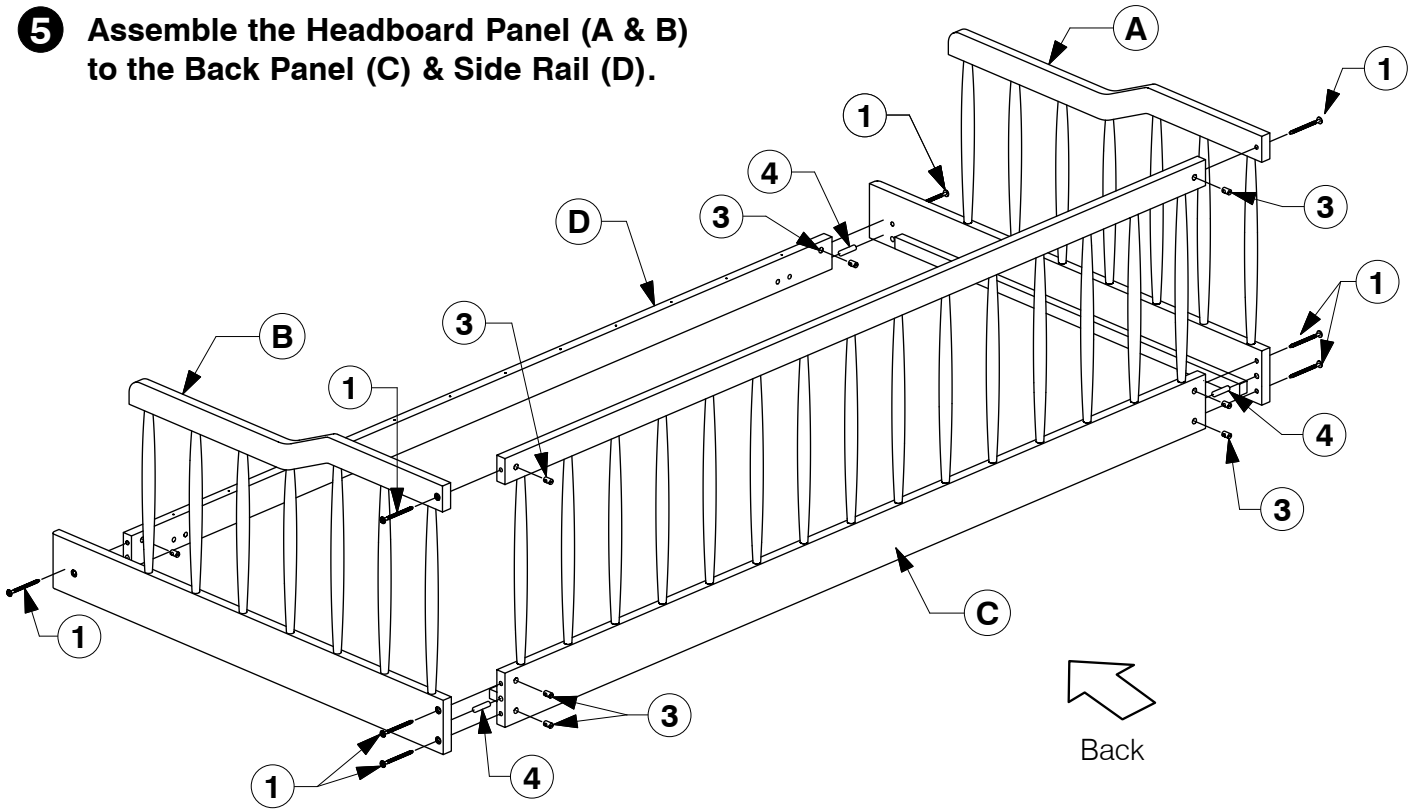
## 4 Assembled the Bed Post (J) to the Lower Rail (G).



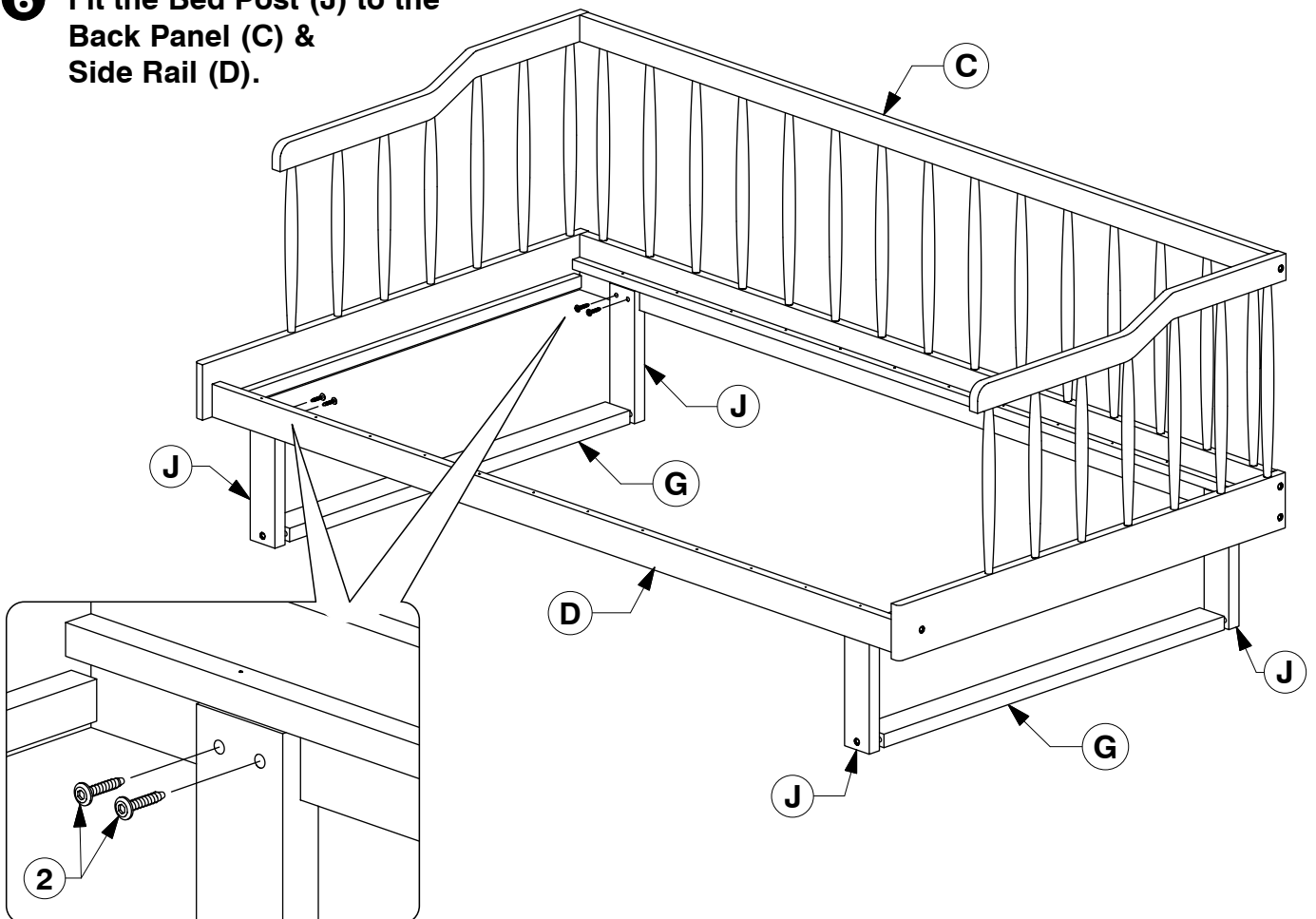
# Daybed

Assembly Instructions

- 5** Assemble the Headboard Panel (A & B) to the Back Panel (C) & Side Rail (D).



- 6** Fit the Bed Post (J) to the Back Panel (C) & Side Rail (D).



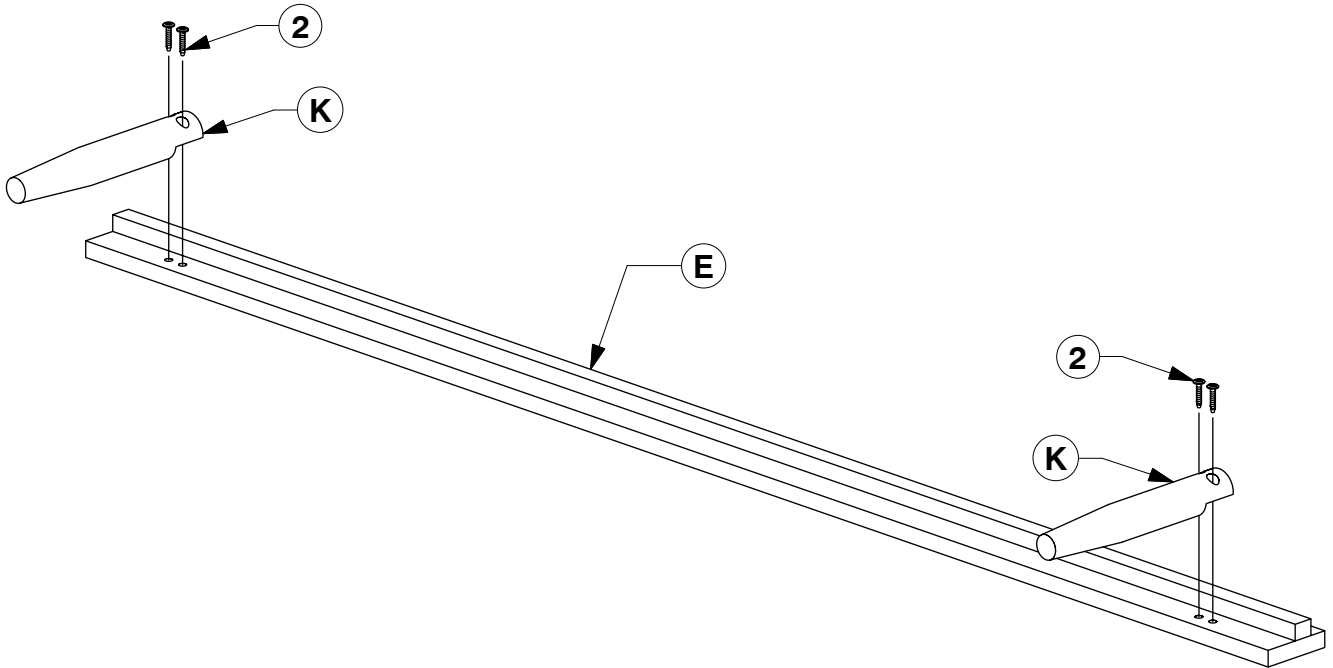
---

# Daybed

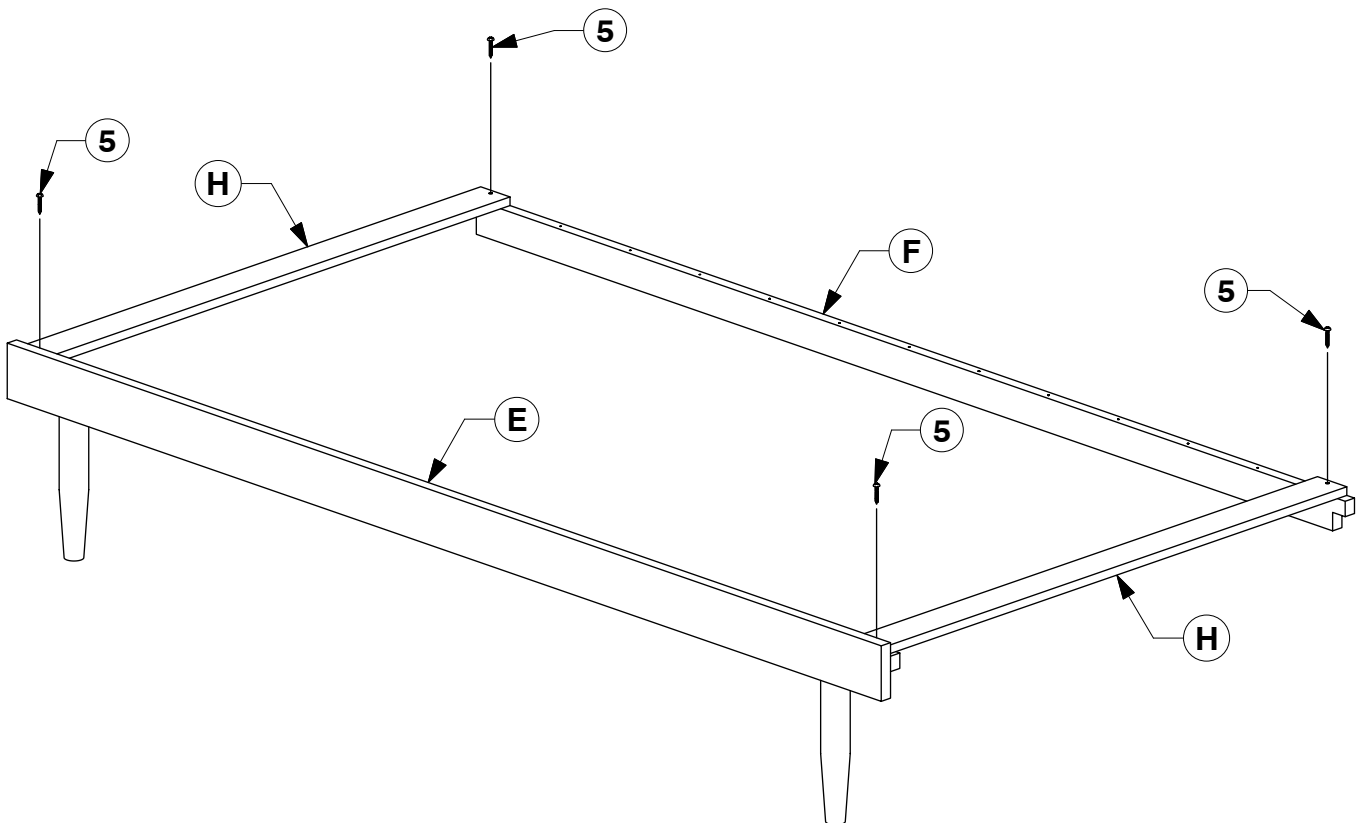
Assembly Instructions

---

**7** Fit the Pull Out Leg (K) to the Pull Out Front Rail (E).



**8** Screw the Bed Slats (H) to the Pull Out Front & Rear Rail (E & F).



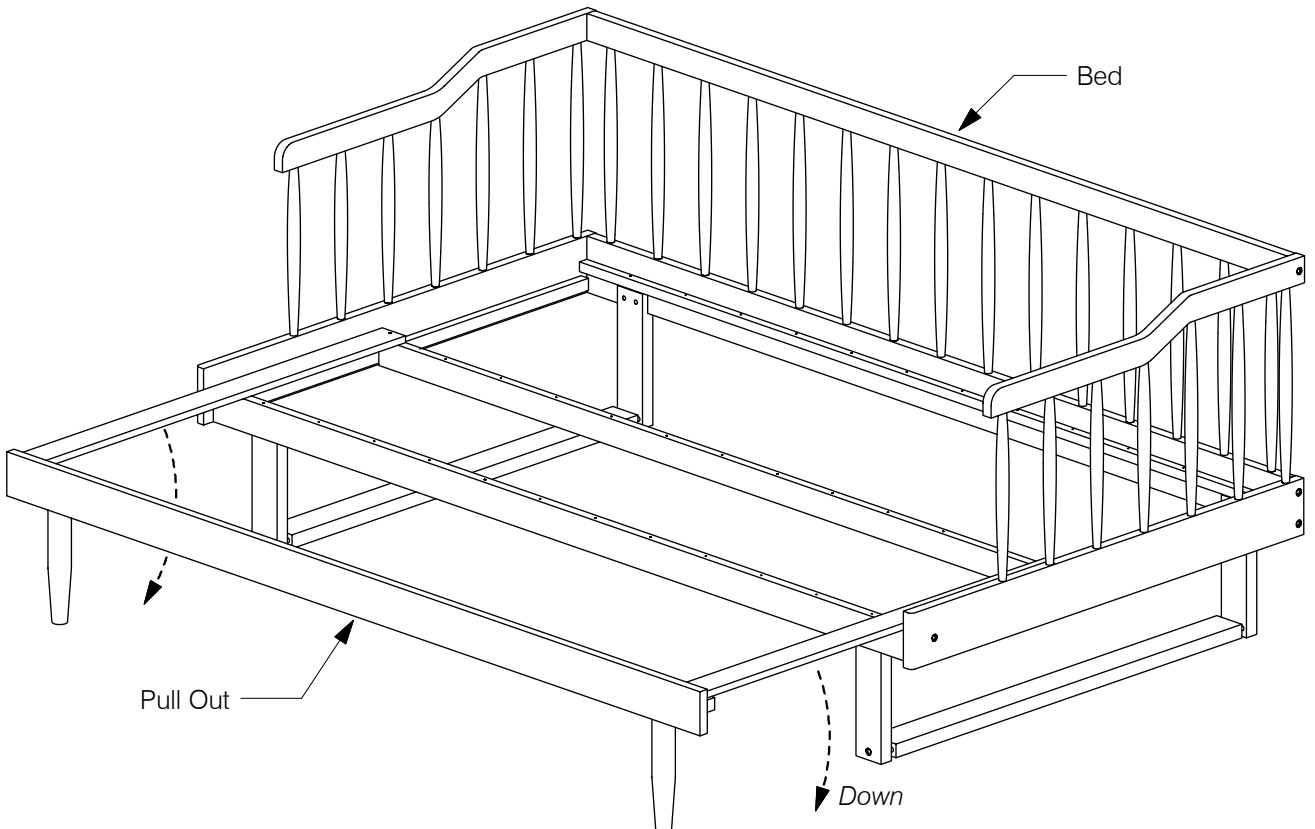
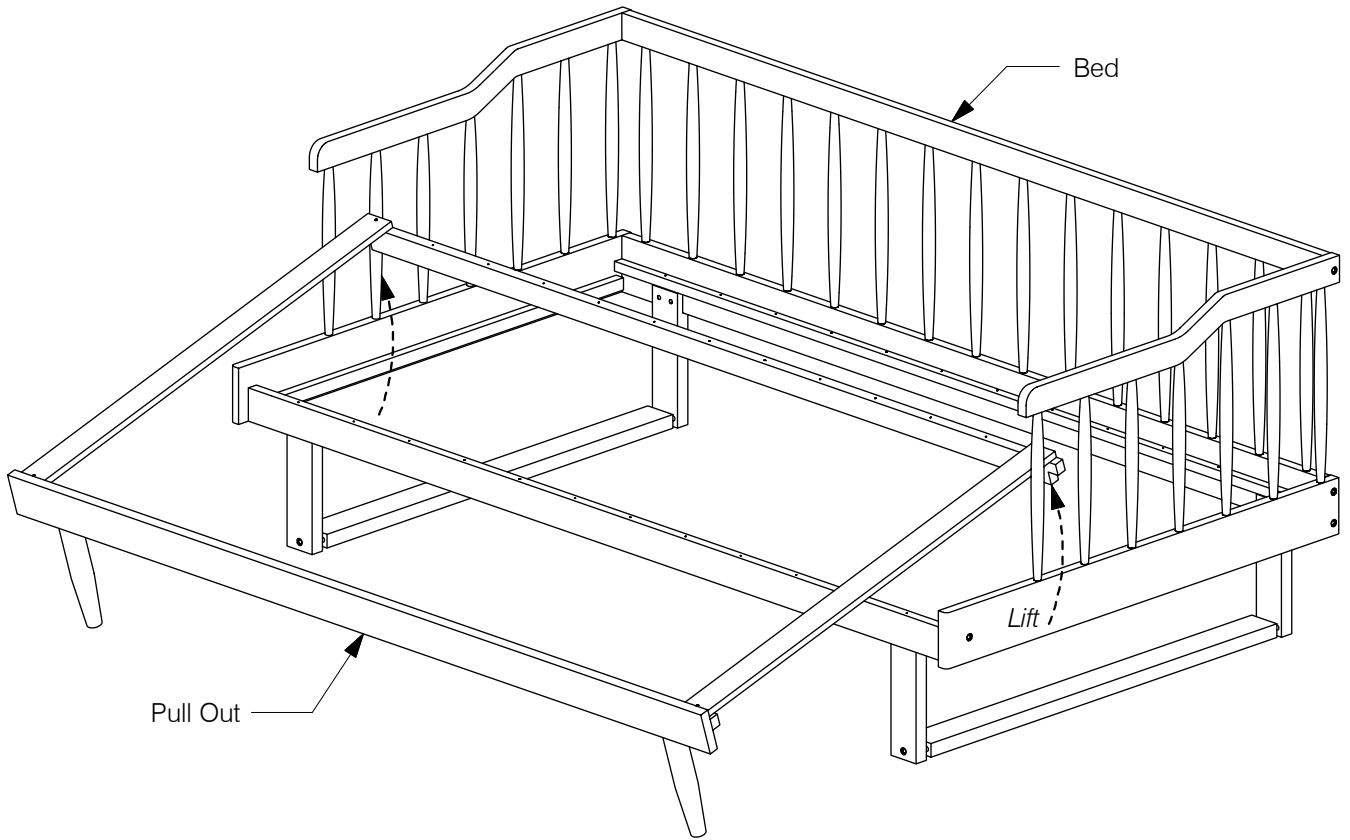
---

# Daybed

Assembly Instructions

---

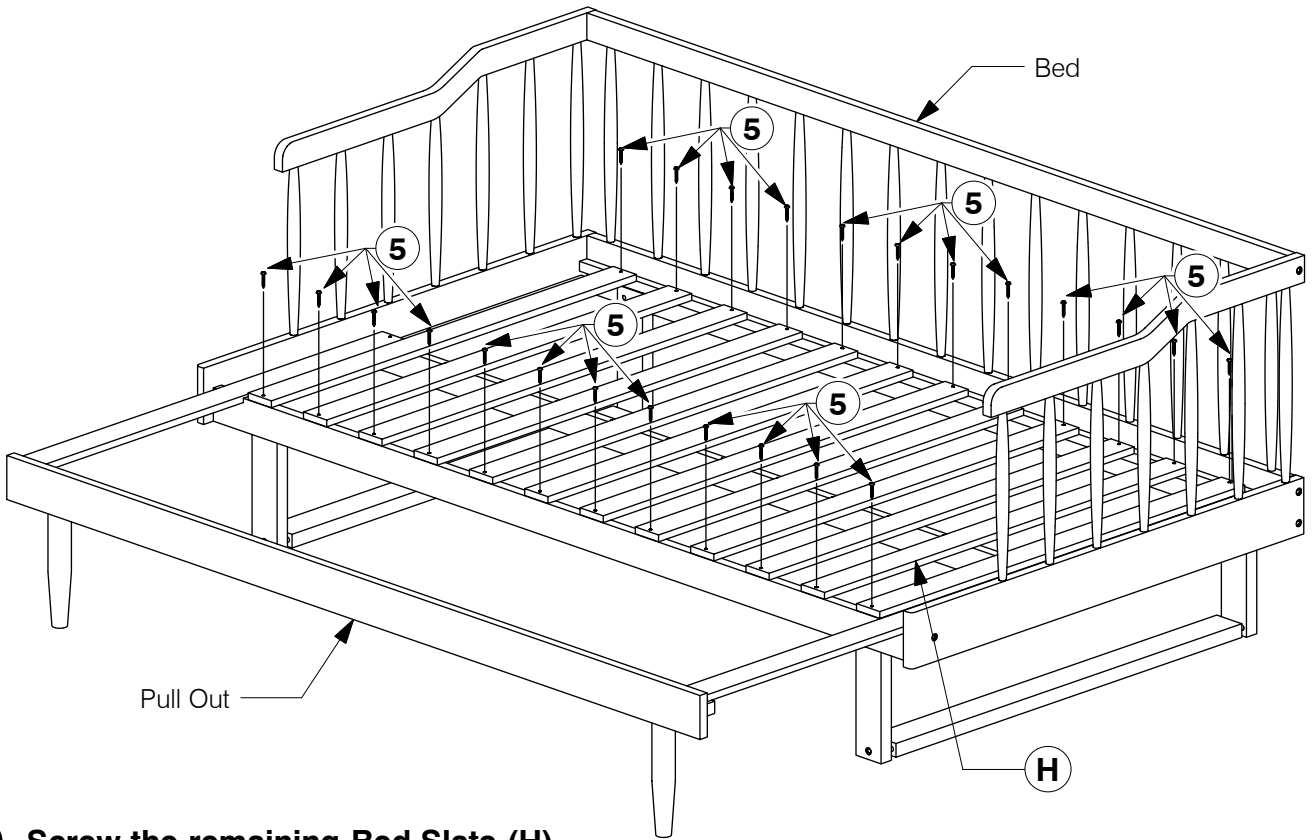
**9** Lift up the Pull Out and slide the Bed Frame in.



# Daybed

Assembly Instructions

**10** Screw the Bed Slats (H) to the Bed Frame.



**11** Screw the remaining Bed Slats (H) to the Pull Out.

