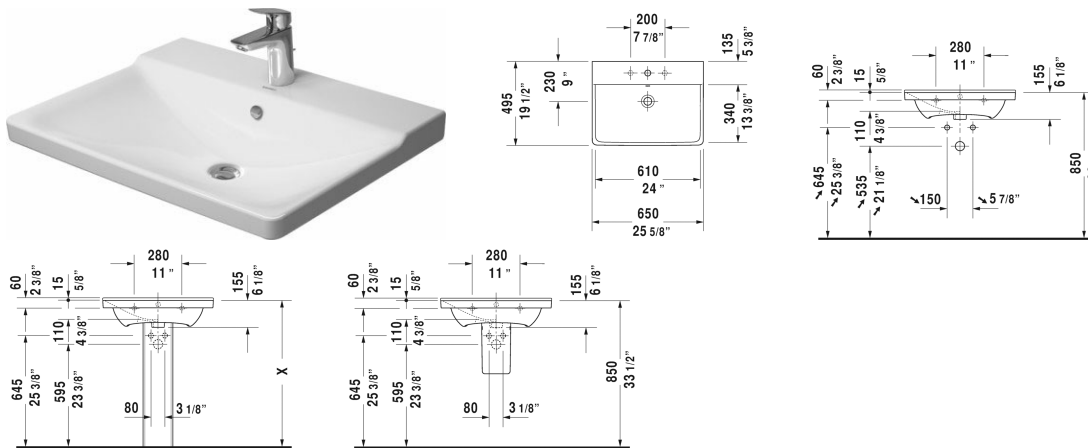



**P3 Comforts Furniture washbasin** ☯ # 2332650000 /  
2332650030 / 2332650060

< 25 5/8" Inch >



Furniture washbasin	Dimension	Weight	Order number
with overflow, with faucet deck, overflow clip Chrome included, underside fully glazed, hardware included, wall-mounted, 25 5/8" Inch			
<b>Colors</b>			
00 White			
<b>Variant</b>			
●	25 5/8" x 19 5/8" Inch	37.9 lb	2332650000
●●●	25 5/8" x 19 5/8" Inch	37.9 lb	2332650030
☒	25 5/8" x 19 5/8" Inch	37.9 lb	2332650060
<b>Infobox</b>			
Washbasin is not ADA compliant in combination with pedestal, siphon cover or metal console			
Sanitary ceramics with the special WonderGliss surface finish will remain clean and attractive-looking for a long time to come. When ordering WonderGliss please add a "1" as eleventh digit to the model number.			
Space-saving siphon	1 1/4" Inch	0.9 lb	005076
<b>Suitable products</b>			
Vanity unit wall-mounted 1 pull-out compartment, for P3 Comforts # 233265, 24 3/8" x 19" Inch	24 3/8" x 19" Inch		LC6144
Vanity unit wall-mounted 2 drawers, upper drawer including cut-out for siphon and siphon cover, for P3 Comforts # 233265, 24 3/8" x 19" Inch			LC6244

**P3 Comforts Furniture washbasin**  # 2332650000 /  
2332650030 / 2332650060

| < 25 5/8" Inch > |

Vanity unit floorstanding 2 pull-out compartments, for P3 Comforts # 233265, 24 3/8" x 19" Inch	24 3/8" x 19" Inch	LC6600
Siphon cover for # 233155, 233160, 233165, 233265, 233285, 233210, 233212, 233385, 233310, 233312, 233485, 233410, 233412, 6 3/4" x 11 3/4" Inch	6 3/4" x 11 3/4" Inch	085837
Pedestal for # 233155, 233160, 233165, 233265, 233285, 233210, 233212, 233385, 233310, 233312, 233485, 233410, 233412, 6 7/8" x 8 1/4" Inch	6 7/8" x 8 1/4" Inch	085836
Vanity unit wall-mounted 2 drawers, upper drawer including cut-out for siphon and siphon cover, for P3 Comforts # 233265, 24" x 18 3/4" Inch	24" x 18 3/4" Inch	XS4180

*All drawings contain the necessary measurements which are subject to standard tolerances. They are stated in inch & mm and are non-binding. Exact measurements, in particular for customized installation scenarios, can only be taken from the finished ceramic piece.*