



# HOSPITALITY HEAVY-DUTY PLASTIC TOILET SEAT

MODEL #

COLOR #

## 7600TJ

### DESCRIPTION :

Closed front with cover, elongated, heavy-duty, injection molded solid plastic toilet seat. Features four molded-in bumpers, JUST•LIFT® integrated check hinges with non-corrosive 300 Series stainless steel posts and pintles and STA-TITE® Commercial Fastening System™. This seat complies with IAPMO/ANSI Z124.5-2013 Plastic Toilet Seats as a class Commercial Heavy Duty.

### SPECIFICATIONS :

Size:	Elongated
Material:	Plastic
Style:	Closed Front with Cover
Bumpers:	Four
Hinges:	Plastic JUST•LIFT® with 300 Series Stainless Steel Posts and Pintles
Fastening System:	STA-TITE® Commercial Fastening System™

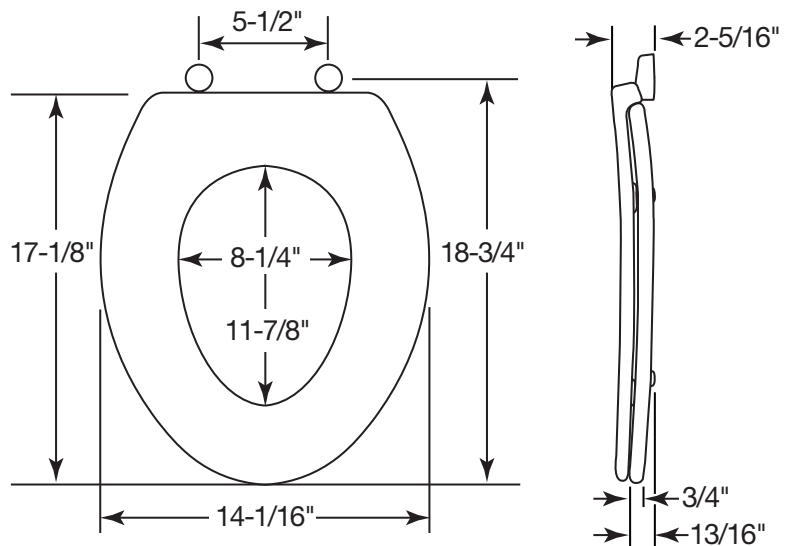
### FEATURES :

JUST•LIFT® Integrated Hinges for Enhanced Cleanability

STA-TITE® Commercial Fastening System™

Non-Corrosive 300 Series Stainless Steel Posts and Pintles

### DIMENSIONS :



PLASTIC HINGES WITH  
STAINLESS STEEL POSTS  
AND PINTLES



STA-TITE® COMMERCIAL  
FASTENING SYSTEM™



JUST•LIFT® PROVIDES  
1-1/2" OF LIFT HEIGHT FOR  
ENHANCED CLEANABILITY

Proudly Made in the USA

Bemis Manufacturing Co., Sheboygan Falls, WI 53085  
www.ToiletSeats.com

Phone: 800-558-7651 Fax: 800-292-3647  
©2014 0B7012300 REV B