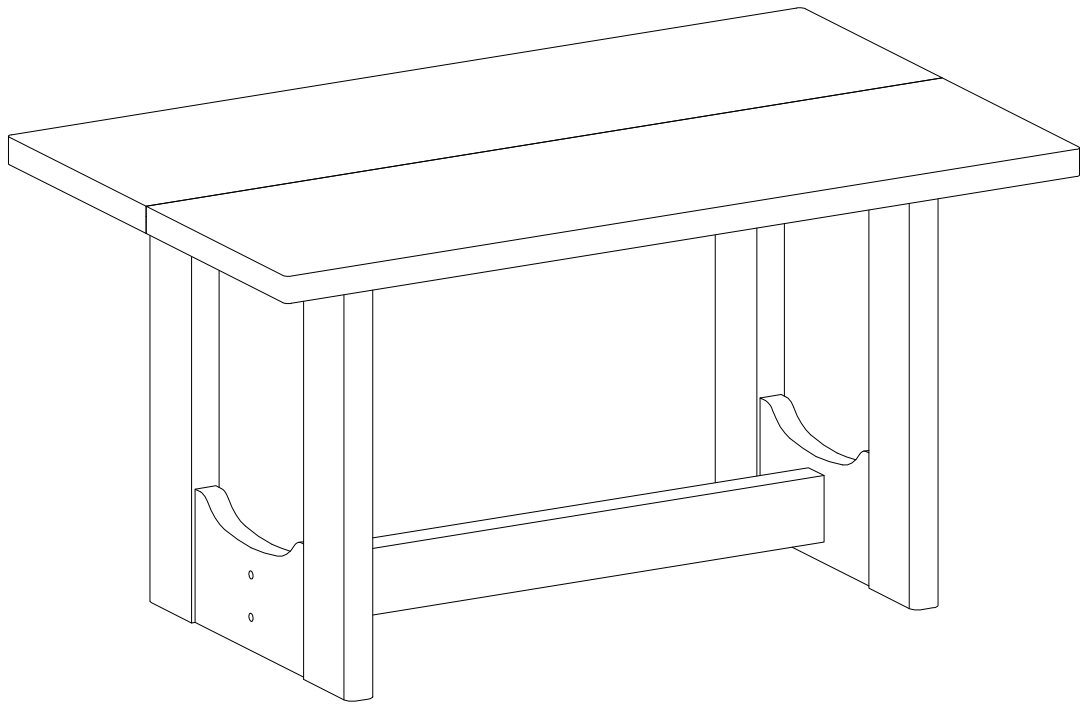


ASSEMBLY INSTRUCTIONS



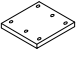



ITEM NO. FB3062HAY-A-T



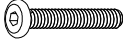





ASSEMBLY TIPS:

1. Remove hardware from box and sort by size.
2. Please check to see that all hardware and parts are present prior to start of assembly.
3. Please follow attached instructions in the same sequence as numbered to assure fast & easy assembly.

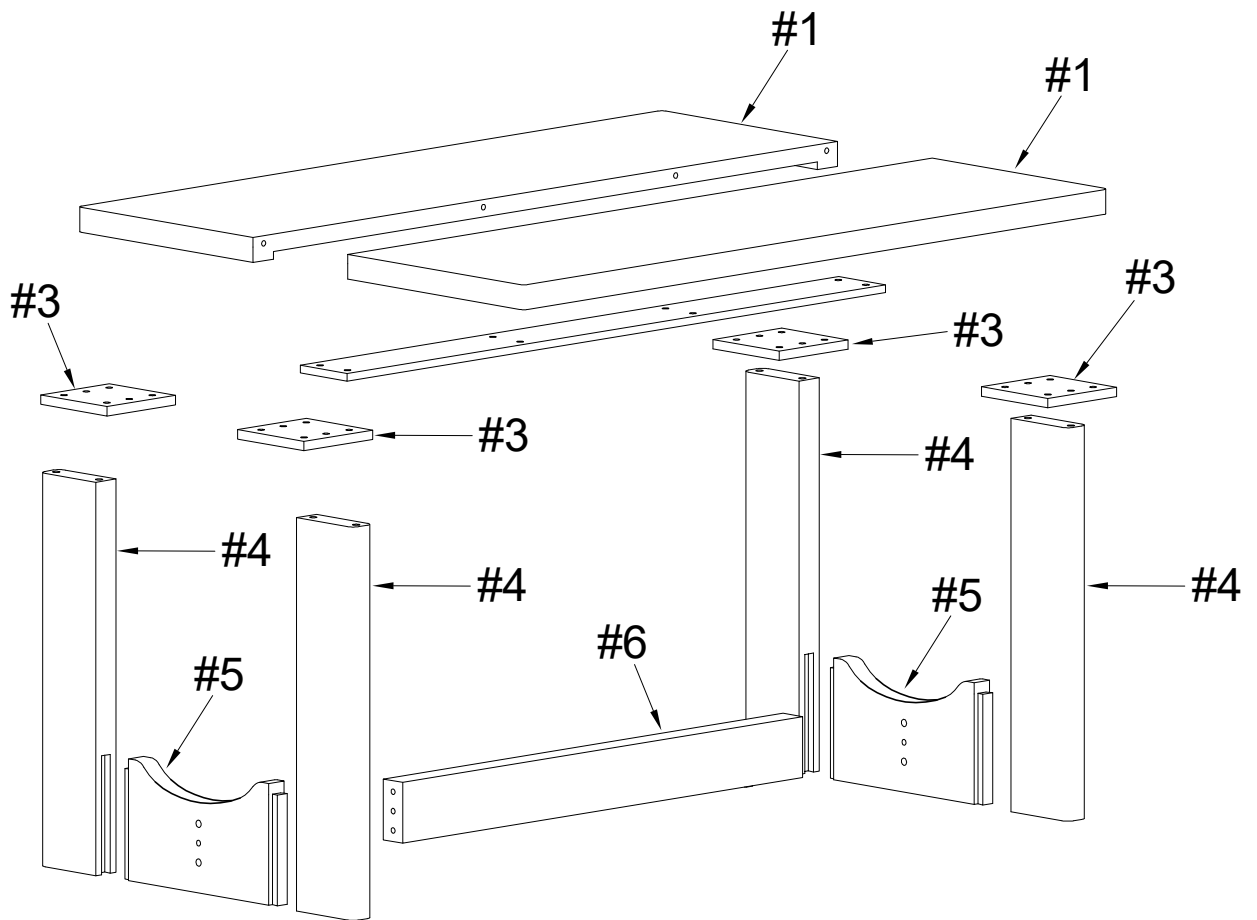
Part List

| NO. | DIAGRAM | PART NAME | Q'ty |
|-----|-----------------------------------------------------------------------------------|---------------------|-------|
| #1 |  | Table Top | 2 pcs |
| #2 |  | Long Connect Panel | 1 pc |
| #3 |  | Short Connect Panel | 4 pcs |
| #4 |  | Legs | 4 pcs |
| #5 |  | Side Stretcher | 2 pcs |
| #6 |  | Center Stretcher | 1 pc |

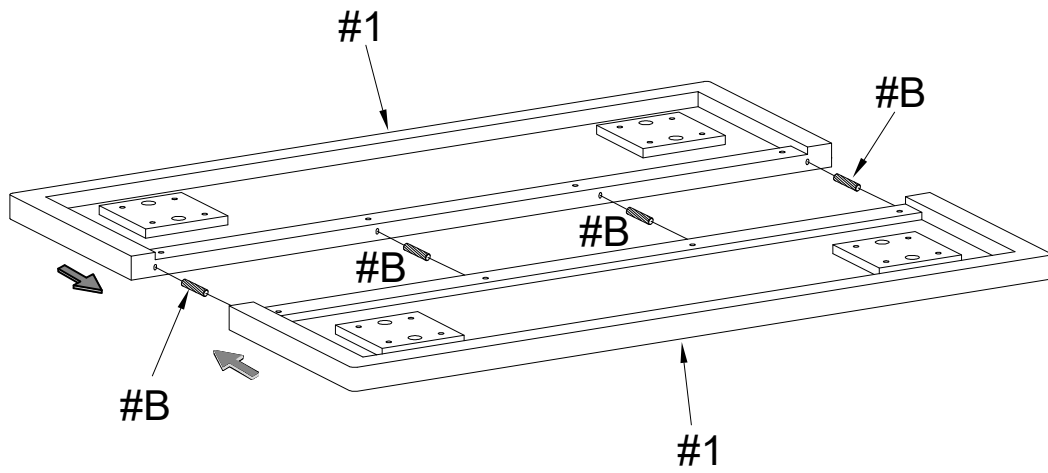
Part List

| NO. | DIAGRAM | PART NAME | Q'ty |
|-----|------------------------------------------------------------------------------------|---------------------------------|--------|
| #A |  | Bolt 1/4" x 1-3/8" | 32 pcs |
| #B |  | Bolt 1/4" x 2-1/2" | 4 pcs |
| #C |  | Bolt 1/4" x 3/4" | 8 pcs |
| #D |  | Spring washer Ø1/4" | 32 pcs |
| #E |  | Flat washer Ø1/4" | 32 pcs |
| #F |  | Wood Dowel Ø10 x 30mm | 6 pcs |
| #G |  | Metal Bracket 100 x 20 x 3mm | 4 pcs |
| #H |  | Allen key M4 | 1 pc |

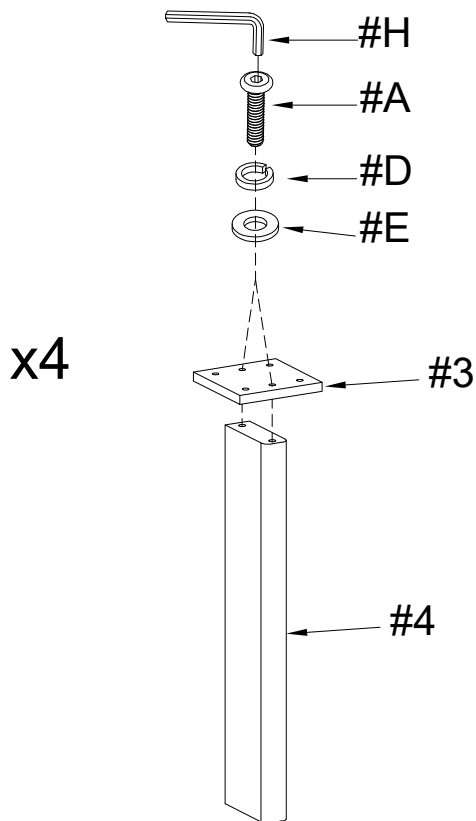
Bolt 1/4" x 3/4"



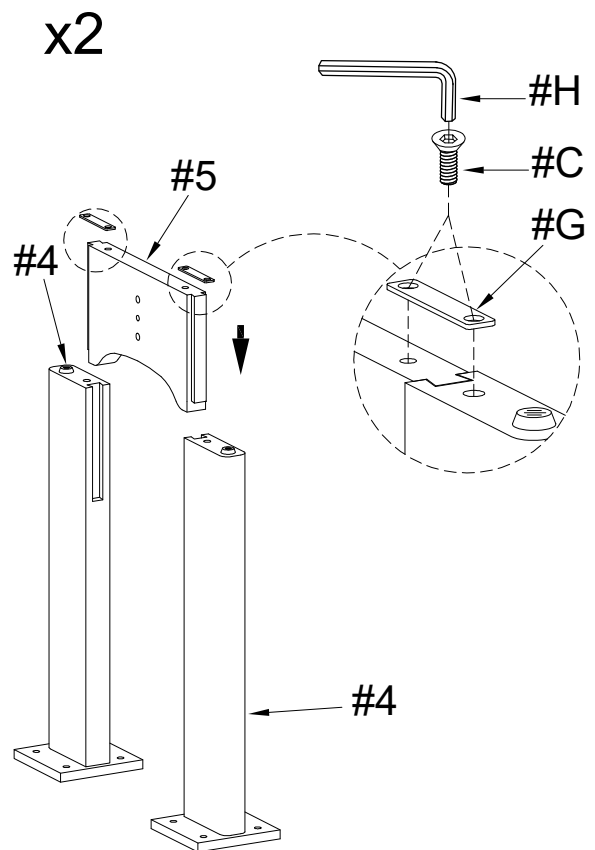
STEP 1:



STEP 2:

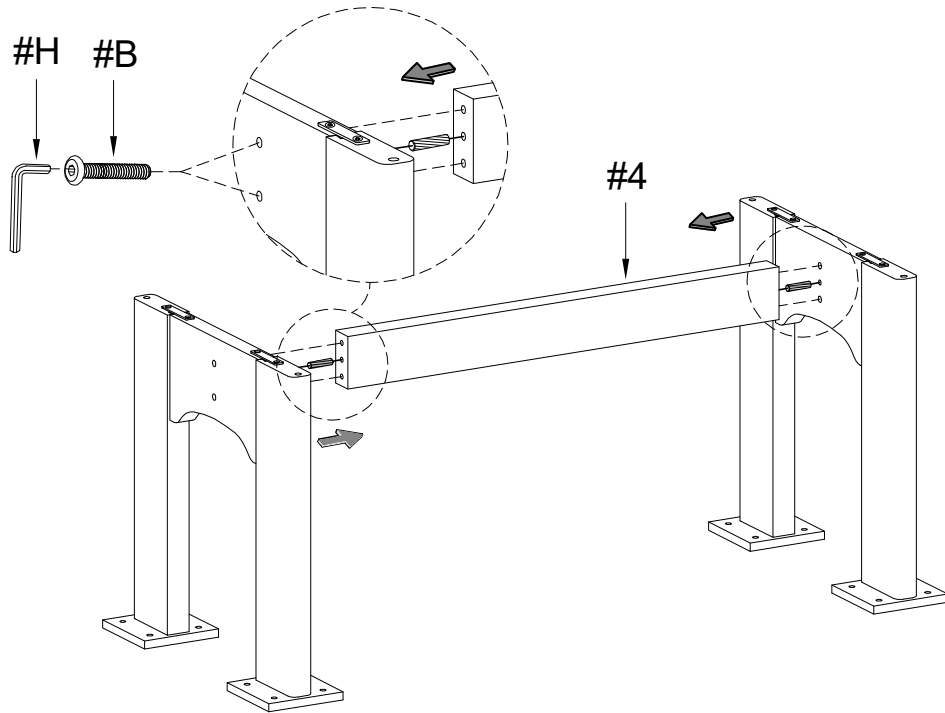


STEP 3:

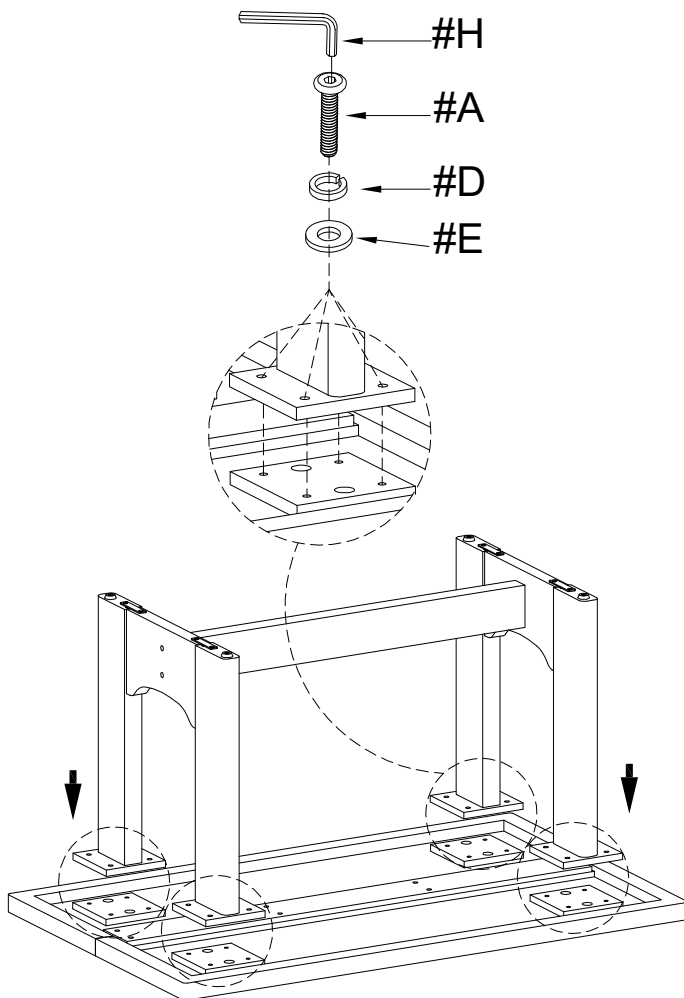


Tighten all screws until completely assembled.

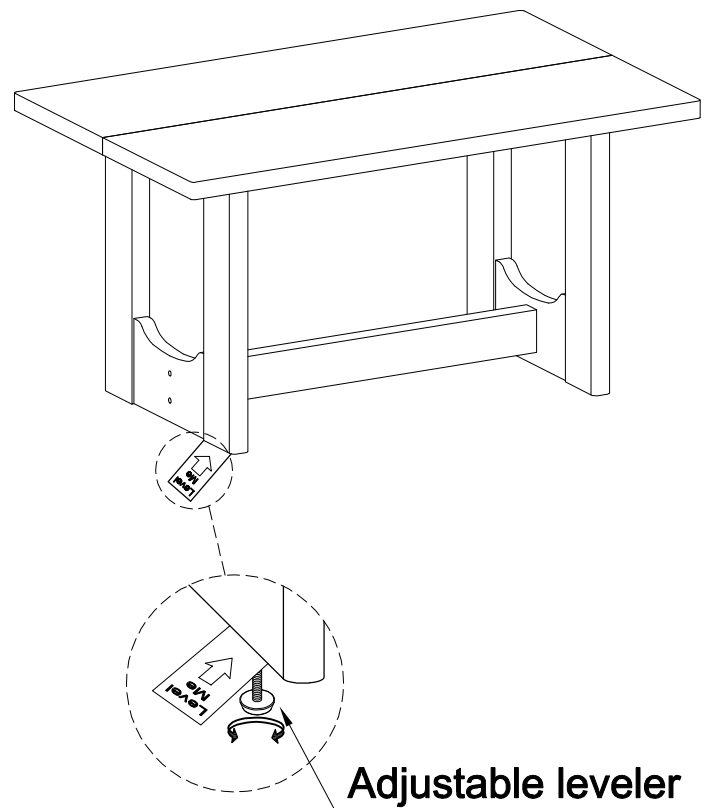
STEP 4:



STEP 5:



STEP 6:



Tighten all screws until completely assembled.