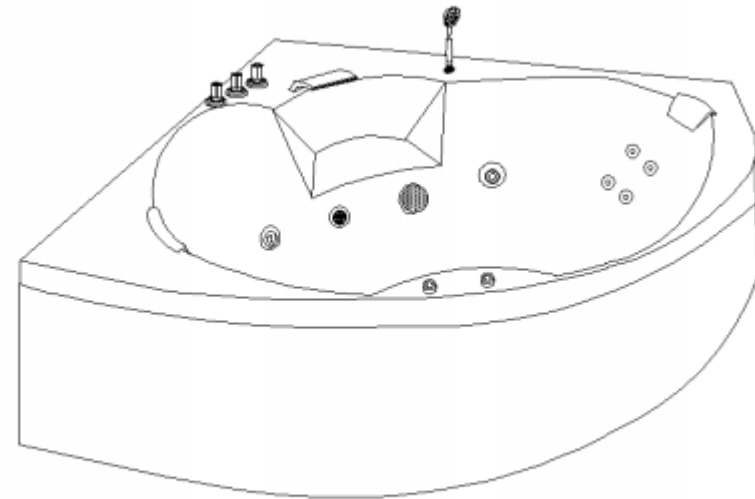


Massage Bathtub

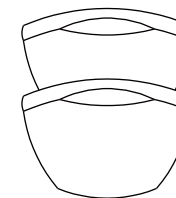
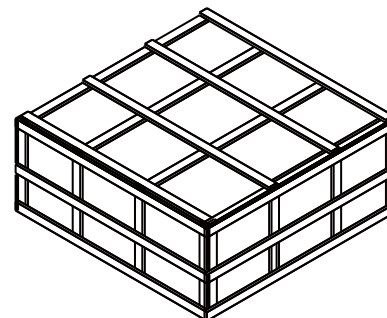
Instructions of Installation



Dear Customer,
Thank you for choosing our product. For your safety, please take a few minutes to read this manual before installation and usage

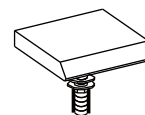
WARNING

- 1、 Children and adolescent are only allowed to use the bathtub in accompany with an adult.
- 2、 People with hypertension, diabetes or cardiovascular diseases are not allowed to use the bathtub.
- 3、 Don't hit or rub the bathtub with a hard object to avoid damage and scratches.
- 4、 To avoid stumbling, please pay attention to the drop height when go in or out of the appliance.
- 5、 Watch out the appliance with suds to avoid slip.
- 6、 Don't use acidic and strong alkaline detergent, acetone, ammonia and so on. Clean with alkalescent detergent and soft cloth.
- 7、 If the sealant falls off from the glass, please glue it immediately to avoid the leakage.
- 8、 Specifications can be varied without notice.



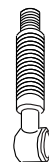
Please use tools to open the packing
Please make sure that all accessories are inside

Accessory Box 1:



Waterfall faucet 1x

Accessory Box 2:



Drain 1x



Drain cover 1x

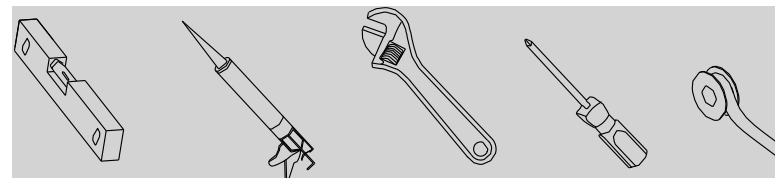


Handheld shower hose 1x



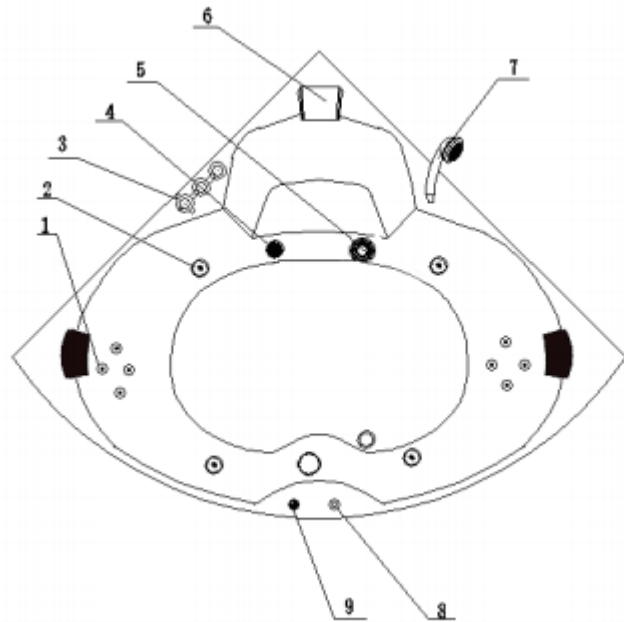
Handheld shower 1x

Instalation Tools: (not included)



A: Gradient B: Sealant C Adjustable spanner D: Screwdriver E: PTFE tape

Bathtub Configuration



1	Pillow	2	Shower
3	Faucet	4	Underwater Lights
5	Waterfall	6	Suction
7	Control panel	8	Regulator
9	Big jet	10	Drainage

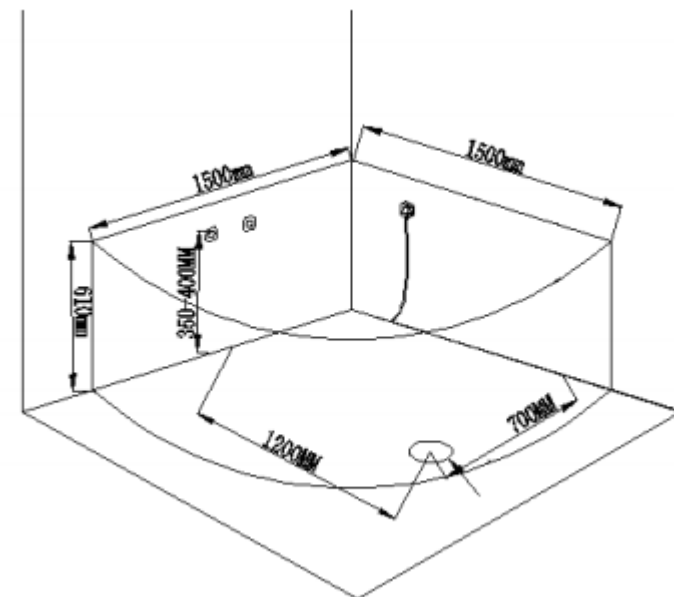
Installation of Electric Appliance

1. Electric Parameter

Rated voltage	Rated Frequency	Max Rated Power	Rated Current
220V	50Hz	2260W	10.3A

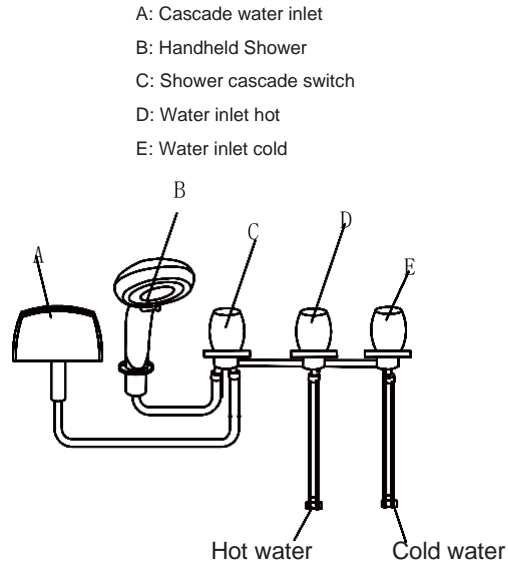
- All electrical connections should be made by a licensed, locally certified electrician, in accordance with the requirements of the national electrical codes and procedures.
- There should be electric-leakage protector on the power supply. Power lines must be fixed, with good ground. The section of the electrical wire should not be less than 2.5m². The power supply appliance should be in accordance with the National Safety Standard.
- Warning: when using electrical products, basic precautions should always be followed.
- Danger: risk of electric shock. Connect only to circuits protected by a Ground Fault Circuit Interrupter (GFCI). A GFCI is not supplied, however, we do specify its use. All known code authorities require a GFCI.

Installation of Water Supply



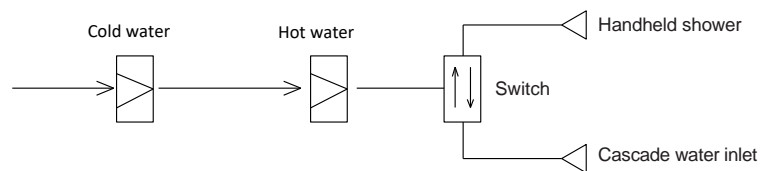
1. Hose Connecting Way

The fittings of bathtub were already connected before shipment except faucet. Users need to install the faucet according to the back procedures, and then connect the cold/hot water hose to the corresponding water supply tube, which should be in the shelter of the bathtub's back.



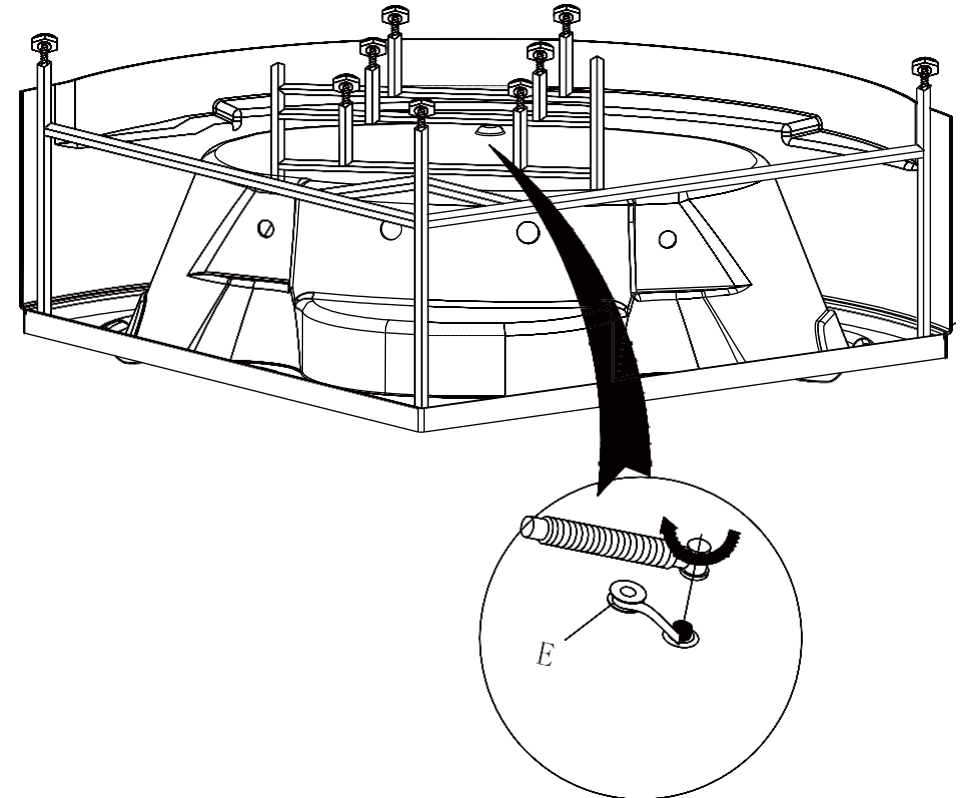
Water Inlet Faucet Connecting

2. Water Supply Chart

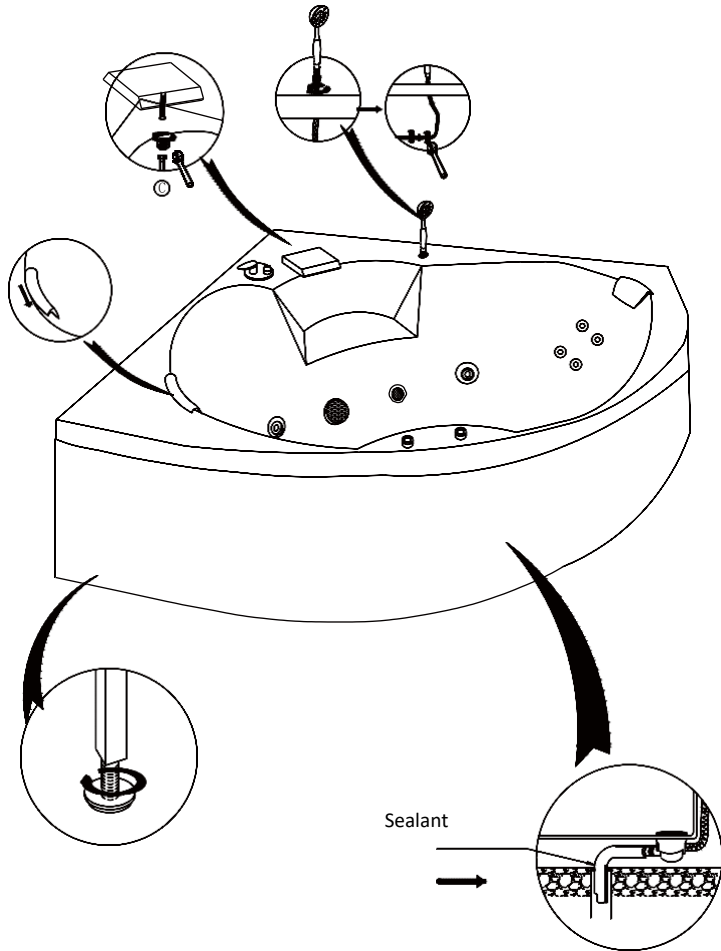


Installation of Bathtub

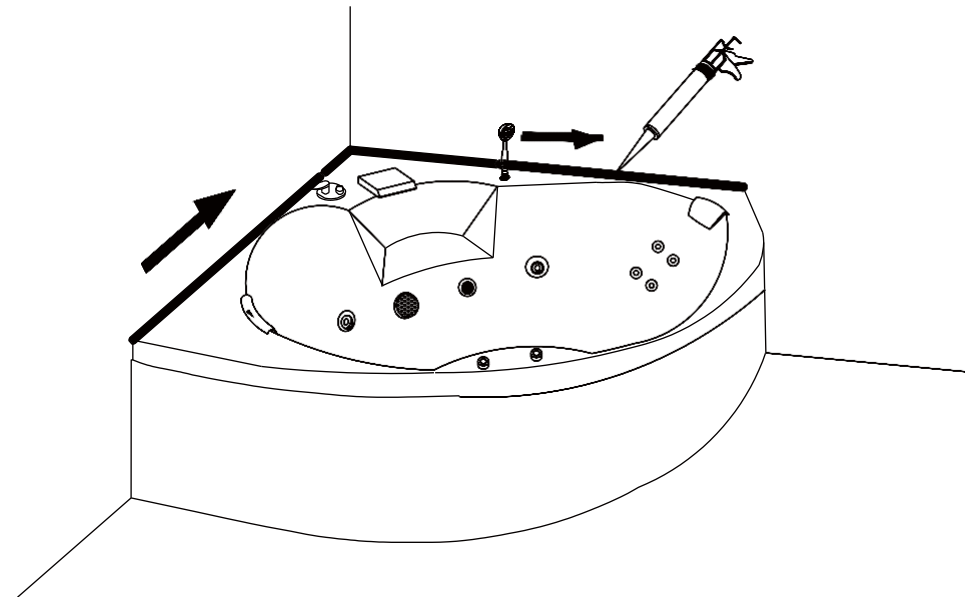
1. As the picture shows below, turn over the bathtub, wrap the drainer hole with thread PTFE tape, and then screw the drainer.



2. As the picture shows below, turn back the bathtub. Install the waterfall, pillow and hand shower, and connect to the water hose. Move the bathtub to the wall corner; put the drainer into sewer and seal the drainer. Adjust the tub feet to make the bathtub horizontal.



3. Seal the gap between the bathtub and the wall with sealant to avoid water leakage.



Usage

1. Switch on the power supply
2. Turn on the cold/hot water switch, and adjust to the suitable temperature. Use the switch to choose the faucet or handheld shower to let water in.
3. Don't press the water pump switch unless the water level in the bathtub reach to or higher than the jets position.
4. Use air regulator to adjust the massage power.
5. Rotate the handheld shower to adjust the massage effecton.
6. Light turns on and changes automatically when you turn on the pump, and turns off when you turn off the pump.
7. Press pneumatic switch, turn off the pumps, and drain the water after use. Then turn off the power supply.

Trouble	Possible Reason	Try this to solve
Water pump doesn't work	Power supply is not connected well, the leakage protector is disconnected	Turn on the power supply and connect leakage again
	Water pump impeller was stuck by sundries	Clean the water pump impeller
	The water pump switch is off	Press the water pump switch.
	Power supply plug is not inserted, or doesn't provide enough power	Plug the power supply again, try using different power outlet
	Water pump problem	Repair or replace the water pump
Massage power cannot be adjusted	Voltage problem	Check the voltage
	Adjust switch is truned off or has other issues	Check the switch and replace if necessary
	Water circulation is blocked	Clean the water circulation
The tub doesn't stand horizontally	Adjustable foot is not adjusted well enough	Adjust it accordingly to your needs
Water leakage	Obturing ring is loose	Replace the ring
	Iron nuts are loose	Screw them down or replace them
	Connecting part is loose/not connected well enough	Pay extra attention to the connecting part and install it properly

Cleaning and Maintenance

1. Use general liquid detergent and soft cloth for daily cleaning. Don't use detergent that with acetone or ammonia. Disinfectant with formic acid and formaldehyde is forbidden during disinfection.
2. If there is scratch on the bathtub surface, use 2000# waterproof abrasive paper to polish it and lay toothpaste on. Then use soft cloth to furbish it.
3. Scale deposit can be wiped off with warm citric acid or vinegar by a soft cloth.
4. Screw off the Water Circulation and jets for cleaning when plug up by litter, such as hair
5. Frequent cleaning is not necessary for the parts gilded and silver-gilt
6. Don't clean the tub with hard or coarse material to avoid any scratches; and don't clean the tub by detergent with chemical menstruum to avoid any damages.
7. Be sure to drain off the water and disconnect the power supply after use
8. Don't hit and score the bathtub by hard or keen-edged material. And don't touch the bathtub by cigarette end or heat source that over 70°C
9. Water massage system cleaning: fill the bathtub with 40°C hot water, and add detergent(2g/L). Then run the water massage system for 5 minutes. After that, stop the pump and drain the water. Fill the bathtub with cold water, and run the water massage system for 3 minutes. Clean the bathtub after stopping the pump and draining off the water.

Precautions

1. The installation should be carried out by a qualified technician, and should be according to the manual.
2. The appliance electric parameter should be tally with the National Safety Standard. And there should be creepage protector on the power supply. Make sure the ground wire is safe. Don't touch the switch, electrical outlet and plug with water.
3. Don't use overheated water. Put cold water first, then hot water. Don't run the appliance until the water level is higher than the jets.
4. The rated voltage of this appliance is 220V. Don't run it when the voltage is over 235V or under 190V.
5. Disconnect the power supply after use
6. Don't take a bath for a long time. Recommended time: less than 30 minutes
7. Please restart the appliance for occasional system halt
8. If the supply cord is damaged, it must be replaced by the manufacturer, its service gent or similarly qualified persons in order to avoid a hazard.
9. This manual is attached with the product. Before installation, please read it carefully. All he installation and use should conform to this manual, to avoid damage or other accident.

Instruction of Using Our Products

Instruction of Using Our Products

Caution:

When the bathtub can't work, please check according to the troubleshooting list.
If you can't judge the reason or unable to repair it, please contact us.

To ensure the customers' safety, the installation should be carried out by a qualified technician.

Please use eligible creepage protector. The ground wire should be well connected to the ground.