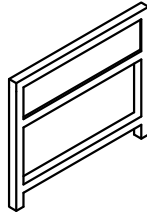
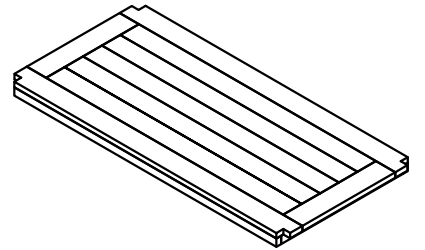


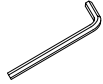
1 x 1 PC





2 x 2 PCS



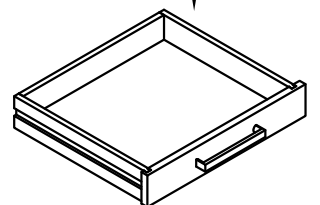
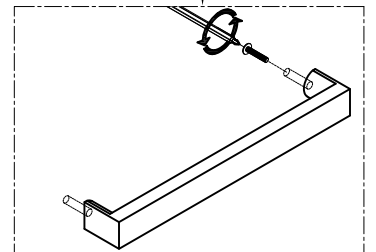
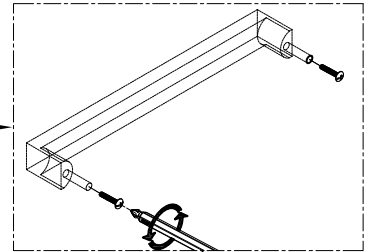
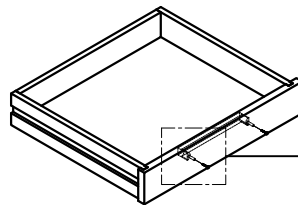
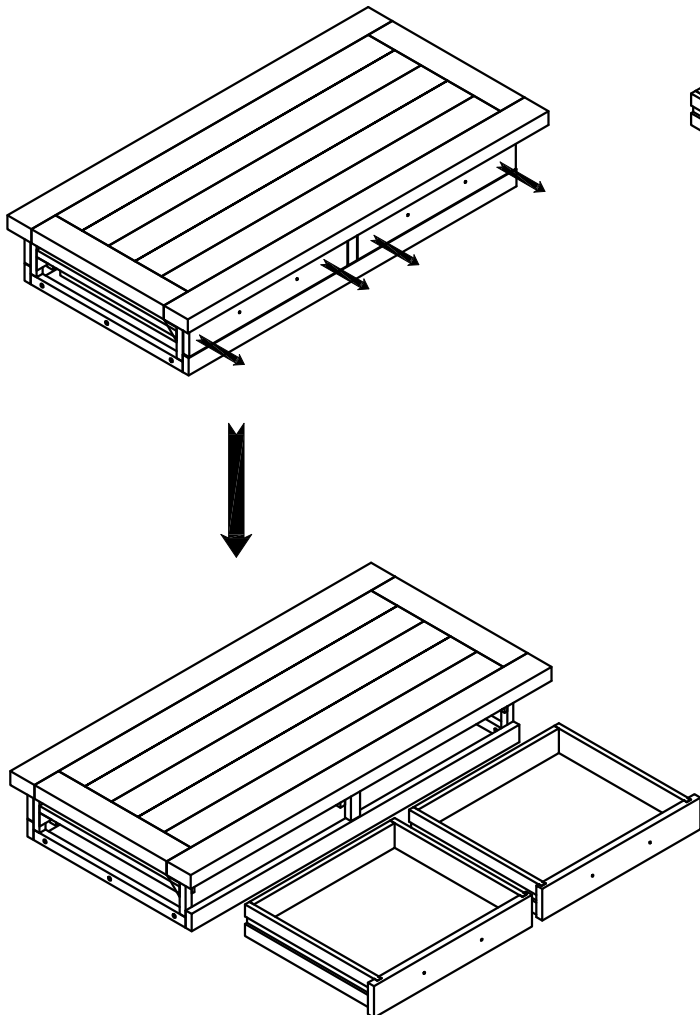
3 x 1 PC

A  $\varnothing 4$: 1PC

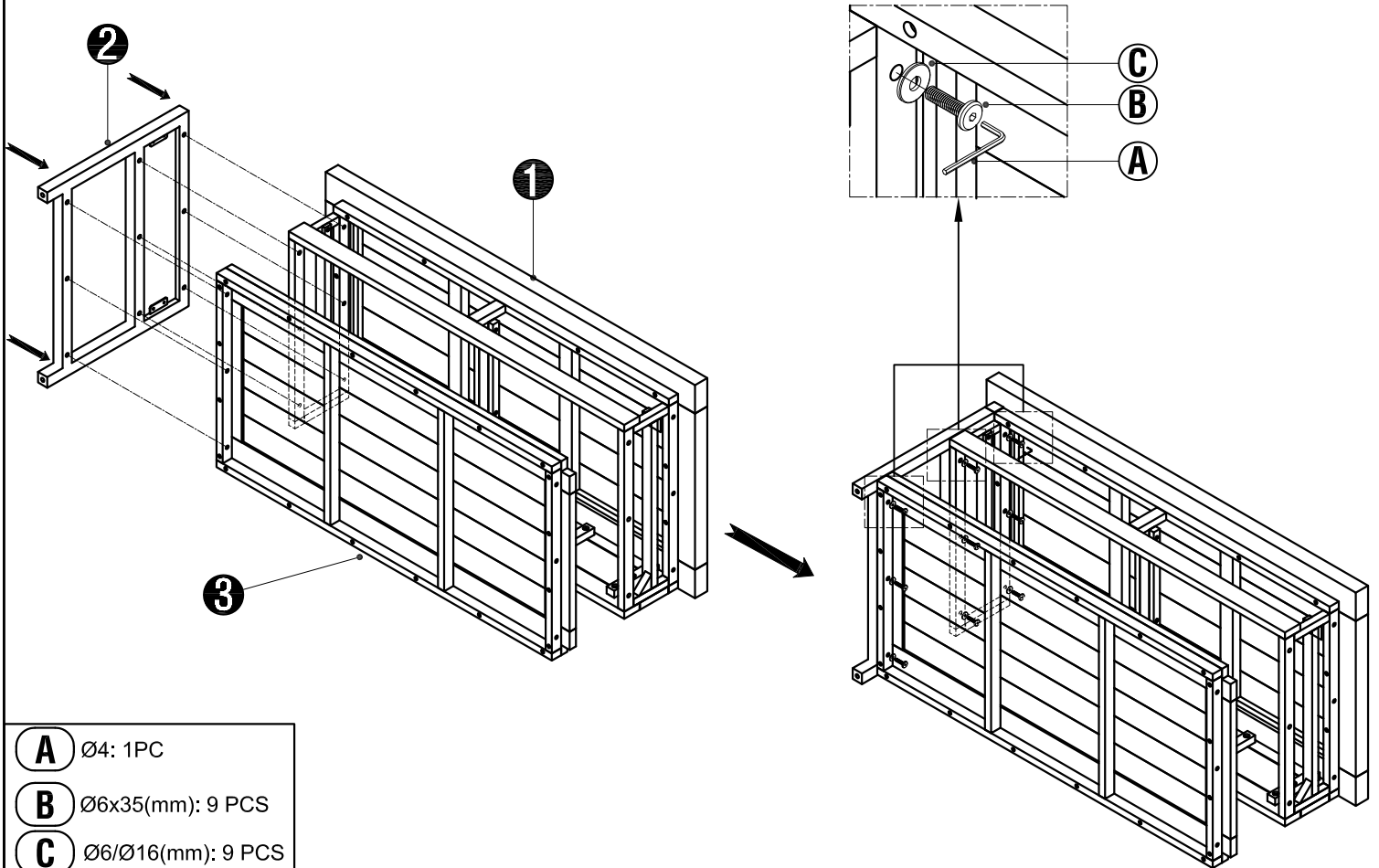
B  $\varnothing 6 \times 35$ (mm): 18 PCS

C  $\varnothing 6 / \varnothing 16$ (mm): 18 PCS

STEP 1

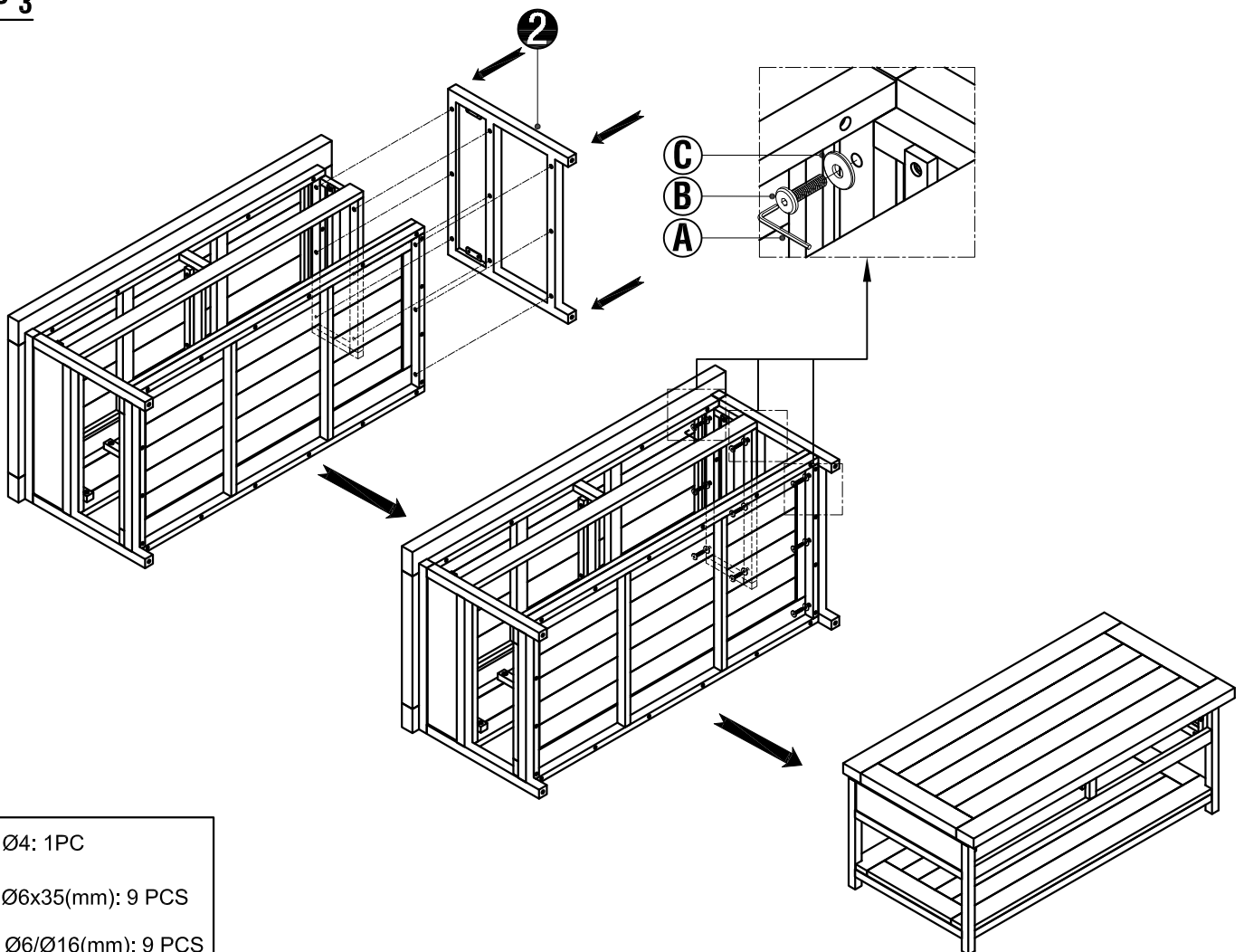


STEP 2



- A** Ø4: 1PC
- B** Ø6x35(mm): 9 PCS
- C** Ø6/Ø16(mm): 9 PCS

STEP 3



- A** Ø4: 1PC
- B** Ø6x35(mm): 9 PCS
- C** Ø6/Ø16(mm): 9 PCS

STEP 4

