























# Assembly Instructions

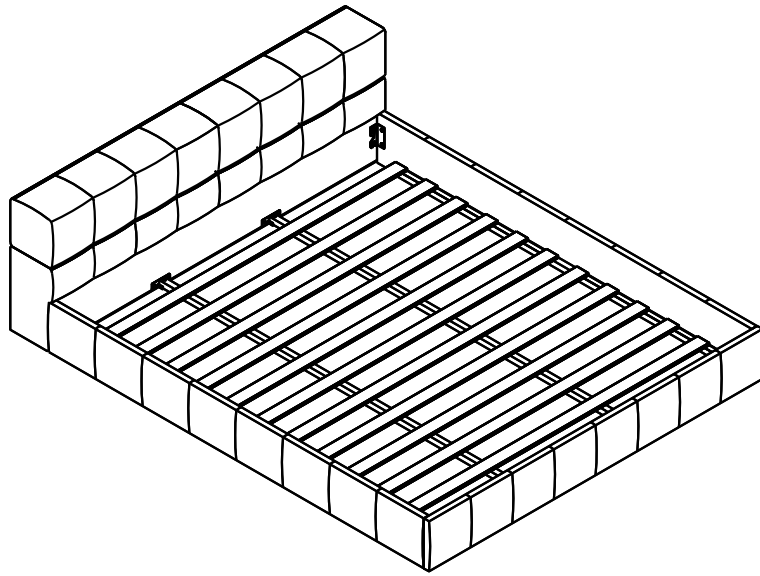
Caution: You must read this before you proceed

## Care & Maintenance

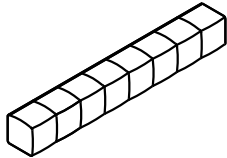
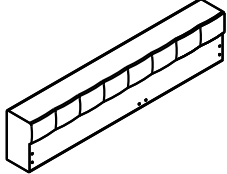

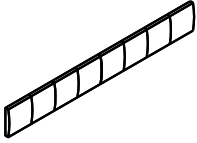
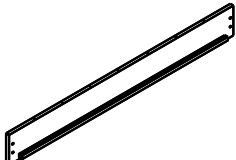
 	<ul style="list-style-type: none"><li>● Not for commercial use. For residential use only.</li></ul>
 	<ul style="list-style-type: none"><li>● Furniture may scratch floors. We recommend using furniture pads to protect your floors.</li></ul>
 	<ul style="list-style-type: none"><li>● Do not put hot items directly on furniture surface.</li></ul>
 	<ul style="list-style-type: none"><li>● Do not clean furniture with harsh cleansers or polish.</li></ul>
 	<ul style="list-style-type: none"><li>● Do not place furniture under direct sunlight.</li></ul>
 	<ul style="list-style-type: none"><li>● Do not place furniture near heating or cooling vents.</li></ul>
 	<ul style="list-style-type: none"><li>● Do not write on furniture without a padded barrier to protect the surface.</li></ul>
 	<ul style="list-style-type: none"><li>● Do not place furniture outside. For indoor use only.</li></ul>
 	<ul style="list-style-type: none"><li>● Stains may be removed with mild soap solution and damp cloth.</li></ul>
 	<ul style="list-style-type: none"><li>● Children should not climb or jump on the furniture.</li></ul>
 	<ul style="list-style-type: none"><li>● Dust and pick-up spills using a clean, non-colored, lint-free cloth.</li></ul>

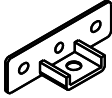
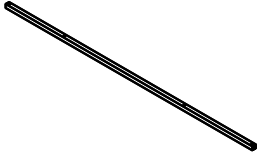

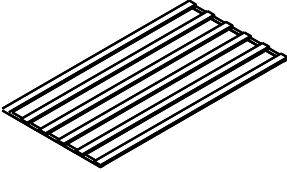


Please look in the box for hardware packs and legs.

# Bed



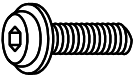

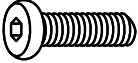



## Parts List

Label	Picture	Description	QTY
①		Upper Bed head	<b>1</b>
②		Lower Bed head	<b>1</b>
③		Bed legs(1)	<b>4</b>
④		Bed End	<b>1</b>
⑤		Side Rail	<b>2</b>

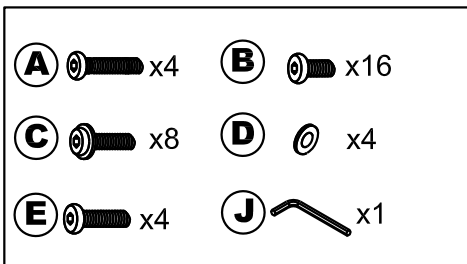
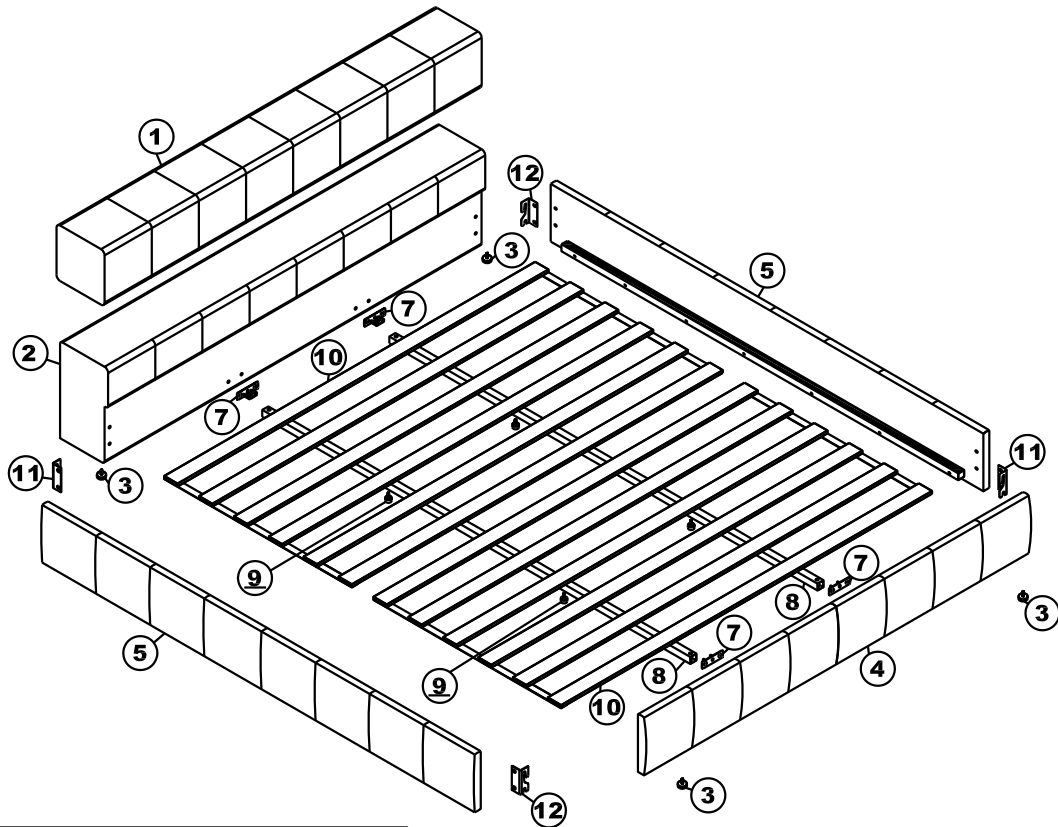
<p><b>7</b></p>		<p>Center support bar fitting</p>	<p><b>4</b></p>
<p><b>8</b></p>		<p>Center support bar</p>	<p><b>2</b></p>
<p><b>9</b></p>		<p>Bed legs(2)</p>	<p><b>4</b></p>
<p><b>10</b></p>		<p>Slats</p>	<p><b>2</b></p>
<p><b>11</b></p>		<p>Hinge(L)</p>	<p><b>2</b></p>
<p><b>12</b></p>		<p>Hinge(R)</p>	<p><b>2</b></p>

## Hardware

Label	Picture	Description	QTY
<b>A</b>		Bolts (M8×45mm)	4
<b>B</b>		Bolts (M8×15mm)	16
<b>C</b>		Bolts (M8×25mm)	8
<b>D</b>		Flat Washer (Ø8)	4
<b>E</b>		Bolts (M8×35mm)	4
<b>J</b>		Allen WrenchBolts(M5)	1

# Assembly Preparation

## Before Beginning assembly:



◦ Read instructions, cover to cover



◦ Have 2 adults on hand for assembly



◦ Do not assemble on flooring or carpet



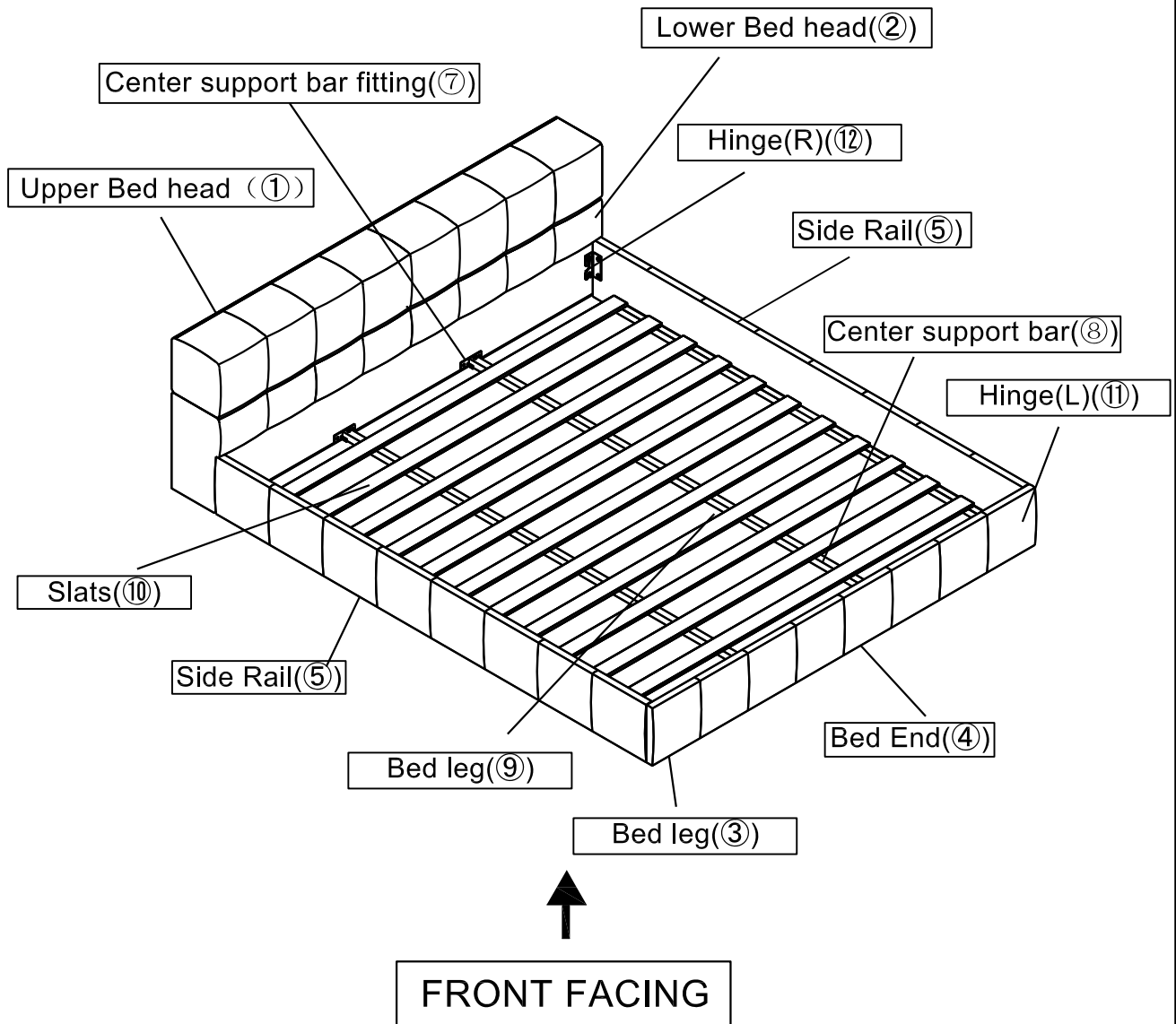
◦ Assemble on a clean non-marring surface (packing foam)



◦ Save all packaging until finished

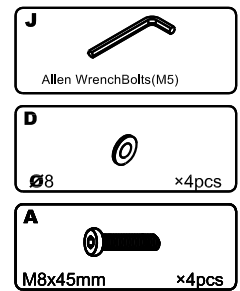
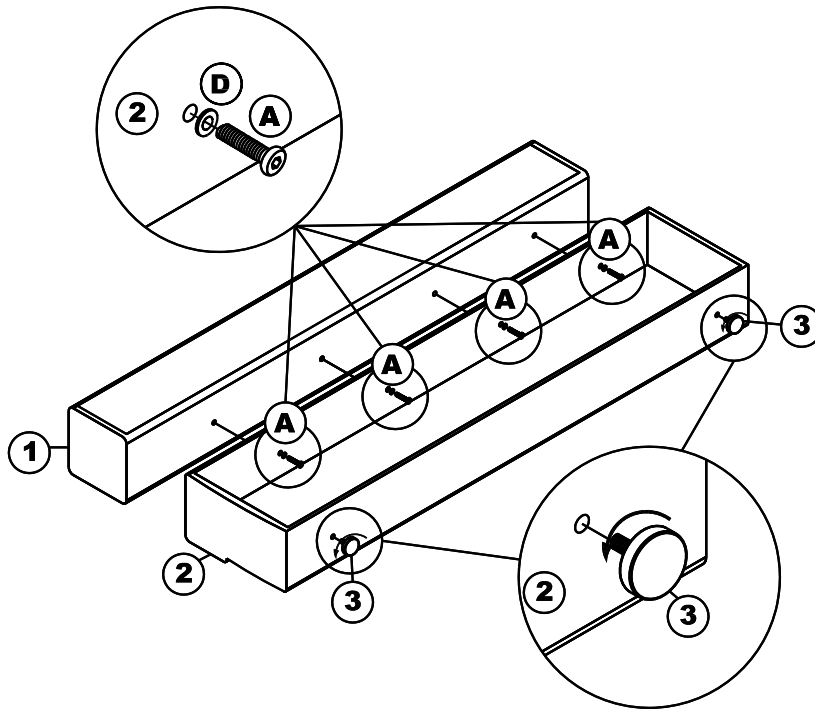
# Assembly Steps

## OVERVIEW



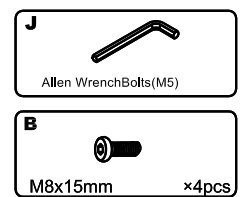
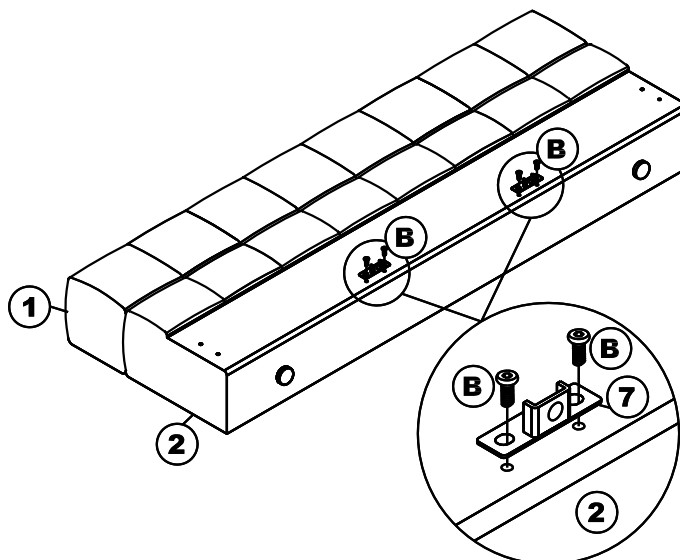
This Bed have multiple parts and may require up to 60 minutes to assemble. To give you an overview of the Bed parts, the above picture is to help you put the various parts into perspective. Please read through the instructions below to familiarise yourself with the parts and steps before assembly. Note: It is recommended that you have an adult partner to assist during the entire assembly process.

## Step1:



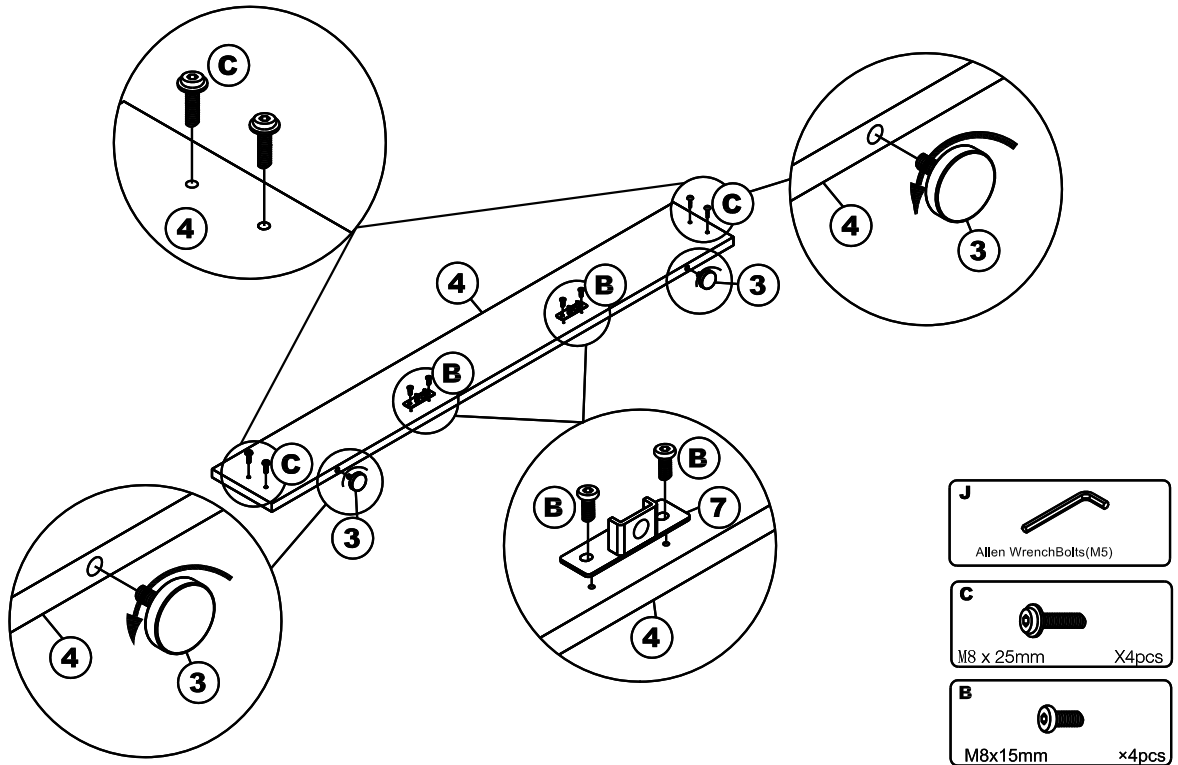
Attach the Upper Bed head(1)to the Lower bed head(2) with Bolts (A)and Flat Washer (D) by using Allen wrench (J). And then attach Bed legs(3) into Lower bed head(2).

## Step2:



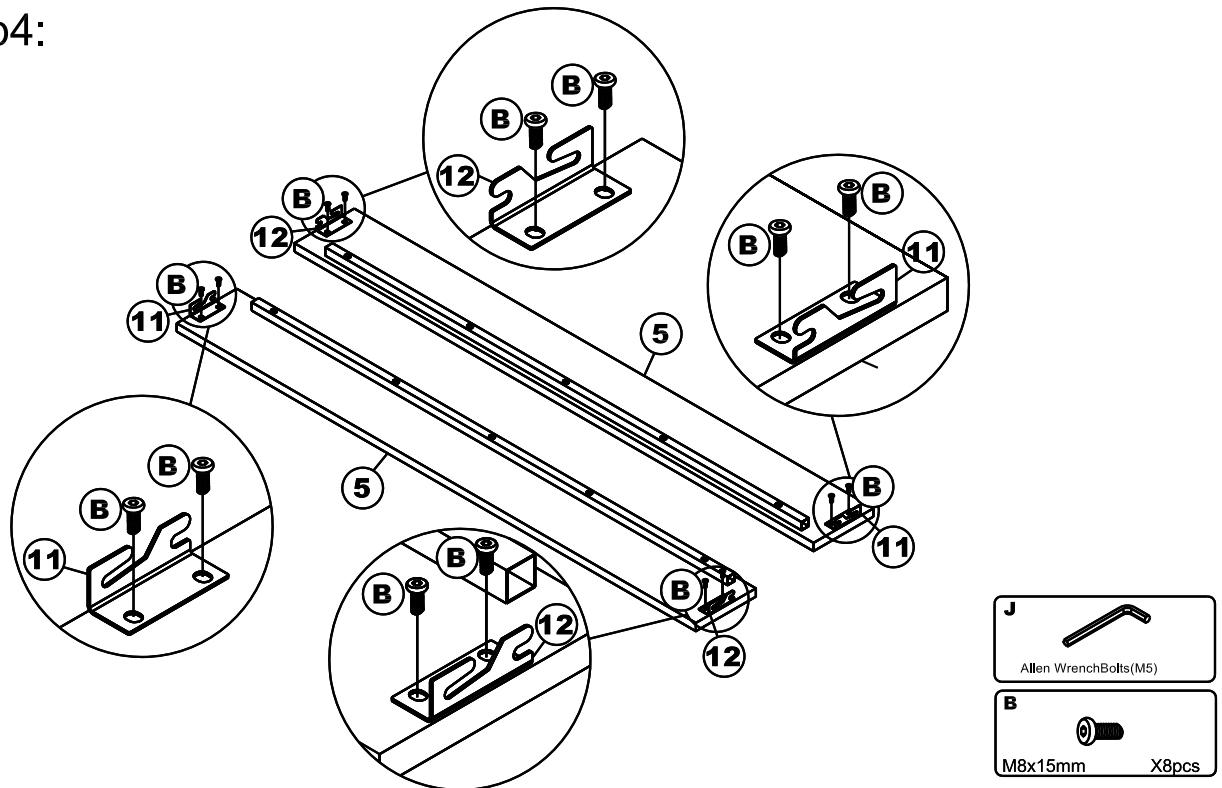
Attach Center support bar fitting(7)to the Lower bed head(2) with Bolts (B) by using Allen wrench(J).

### Step3:



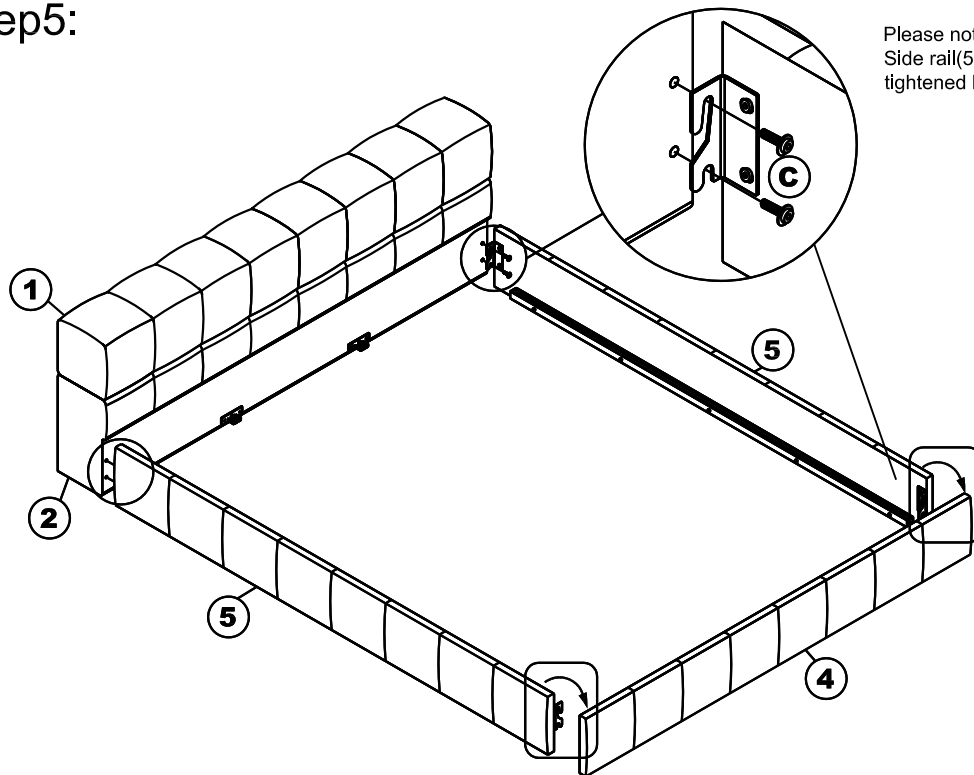
Attach Center support bar fitting(7)to Bed end(4) with Bolts (B) by using Allen wrench (J). Attach Bed legs(3)and Bolts(C)into Bed end(4).Please note that Bolt(C) should not be fully threaded in; maintain a height of about 10mm.

### Step4:

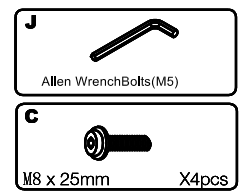


Attach Hinge(11/12)to Side rail(5) with Bolts (B) by using Allen wrench (J).

## Step5:

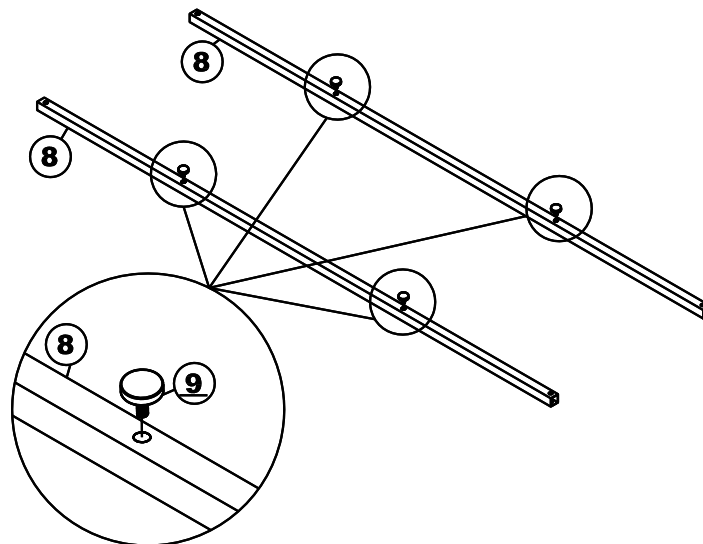


Please note the screw components of Side rail(5),and ensure all screws are fully tightened before use.



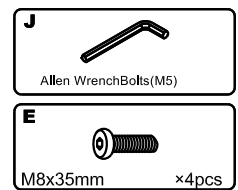
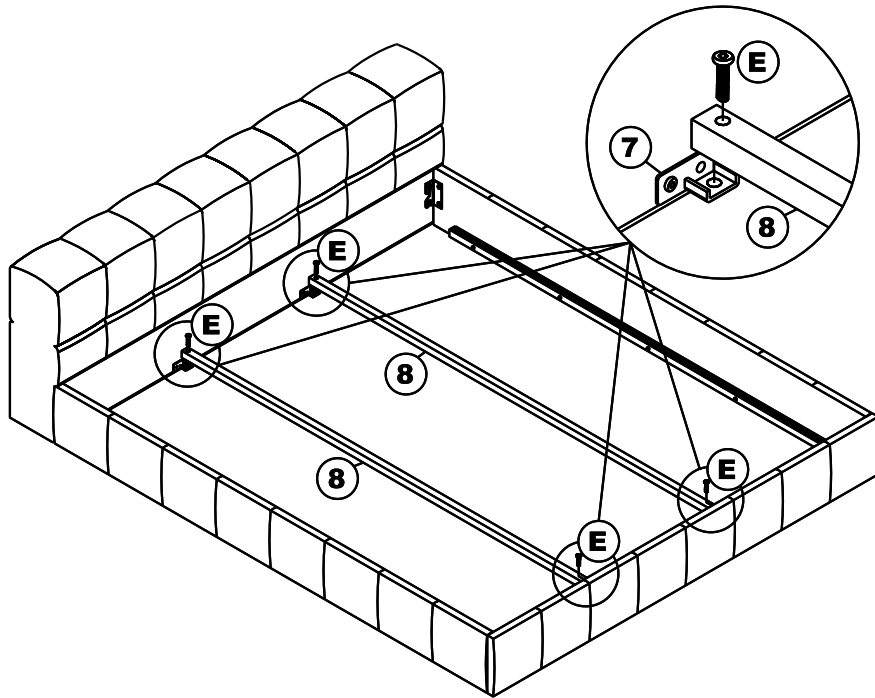
Attach Side rail(5)to Lower bed head(2)and Bed end(4) with Hinge(11/12) and Bolts(C) by using Allen wrench (J)..

## Step6:



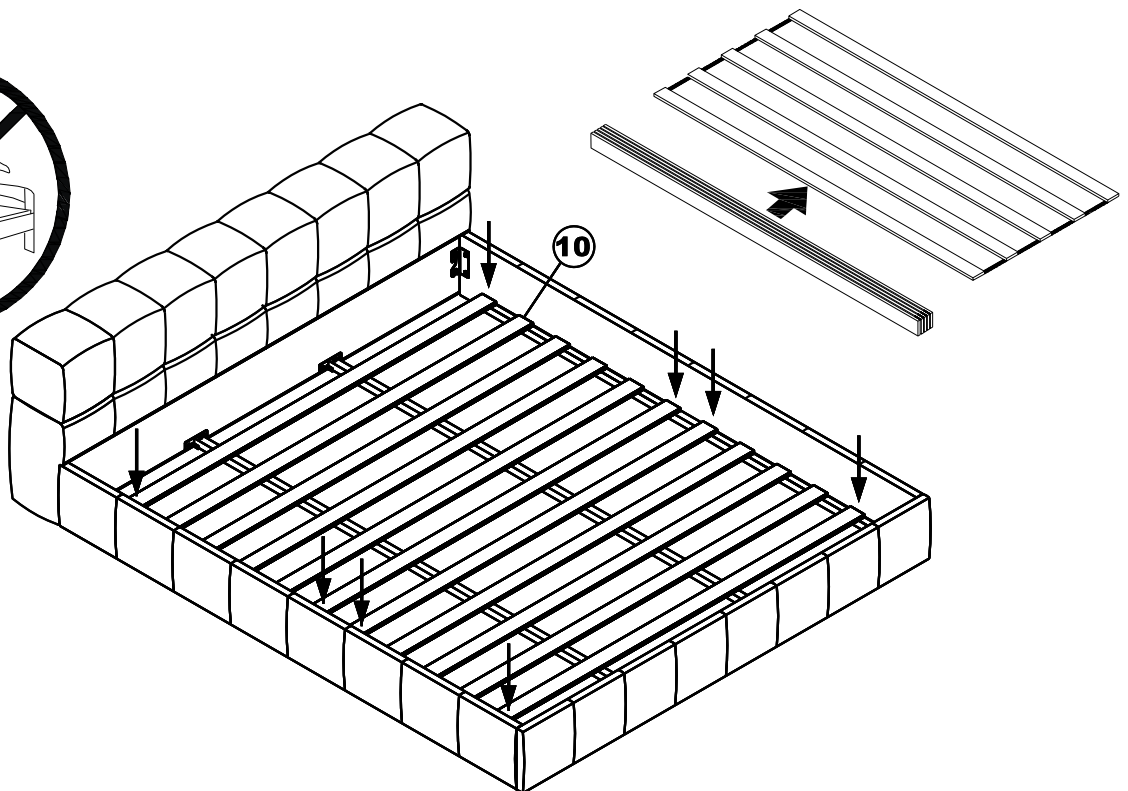
Attach Bed legs(9)into Center support bar(8).

## Step7:



Attach Center support bar(8) to Lower bed head(2) with Center support bar fitting(7) and Bolts(E) by using Allen wrench (J).

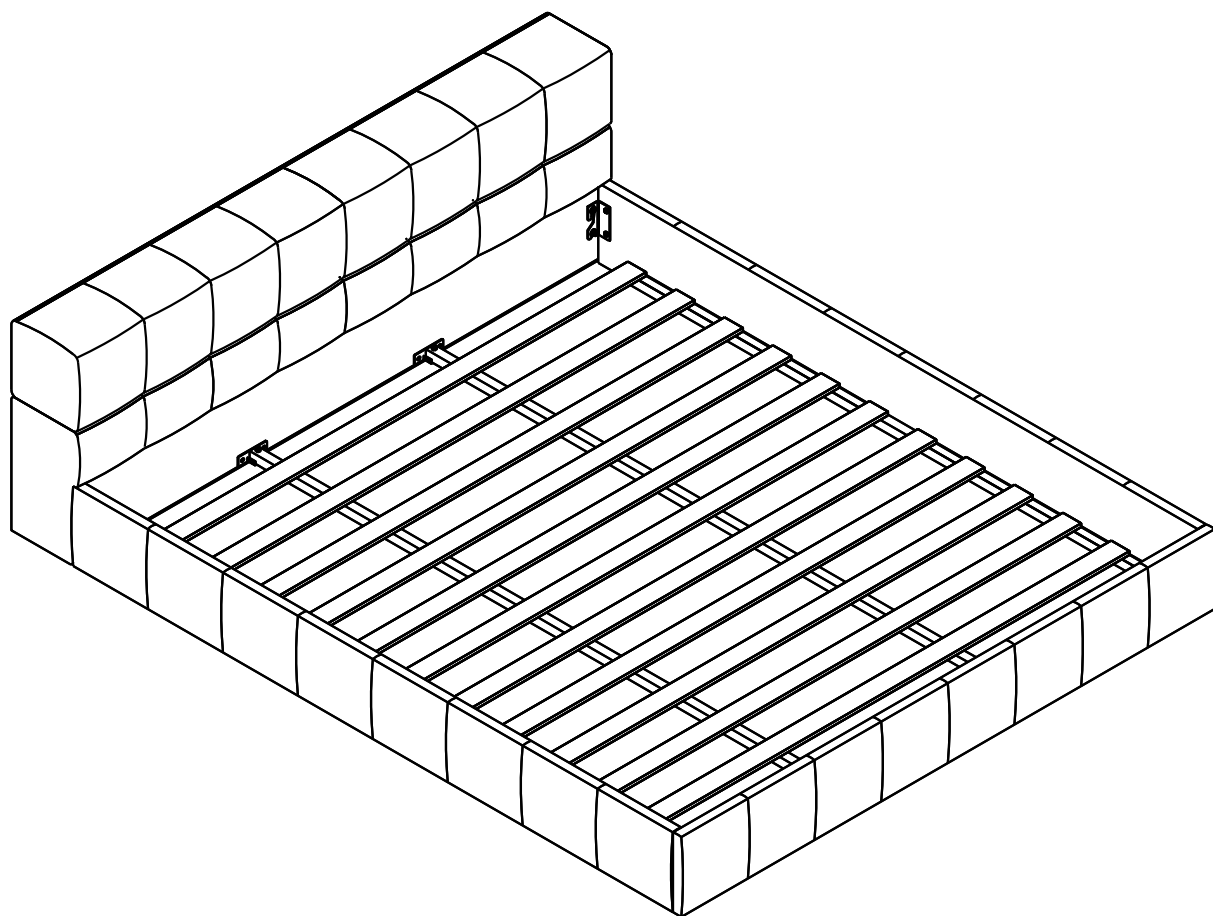
## Step8:



Attach Slats(10) by using magic tape.

Step9:

Installation Complete



Your Upholstered Bed is ready for use. This Upholstered Bed can only be used on a flat, level surface.