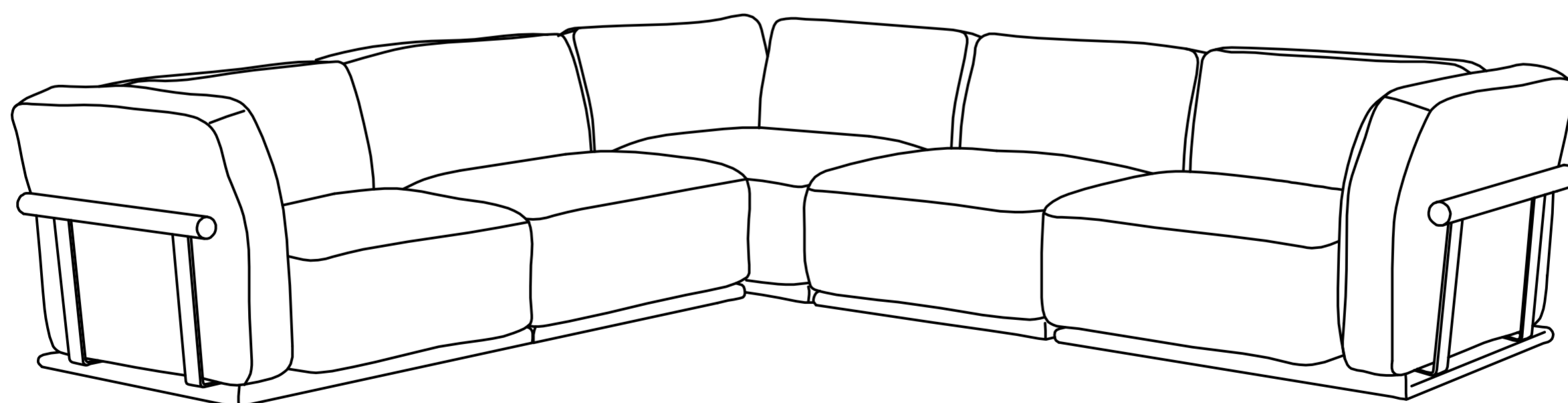
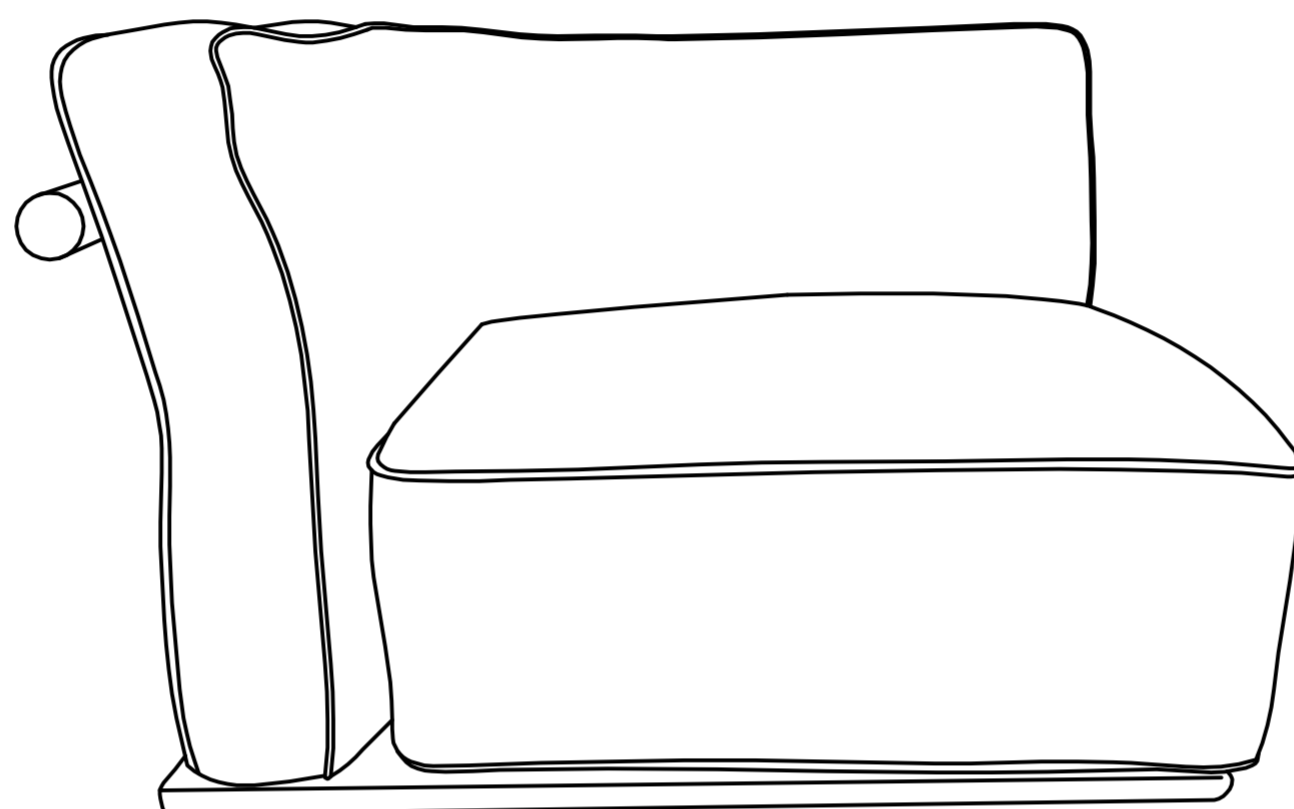
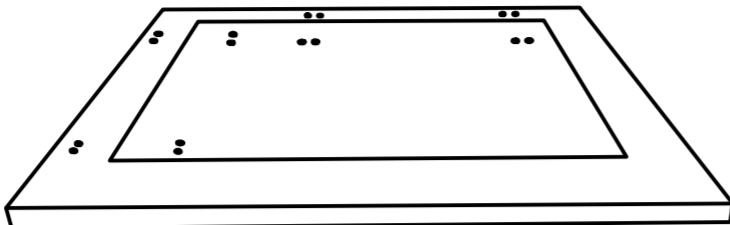
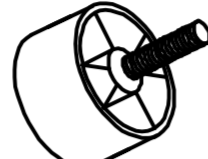
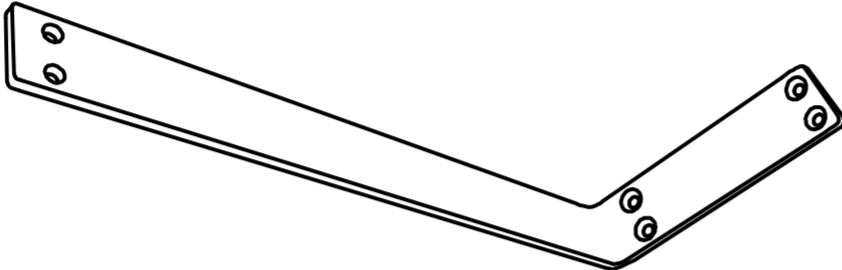
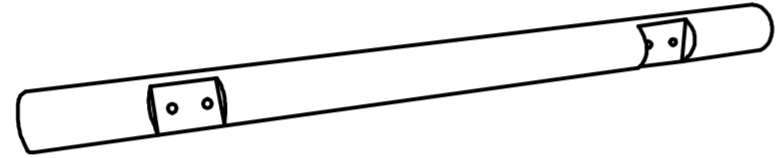
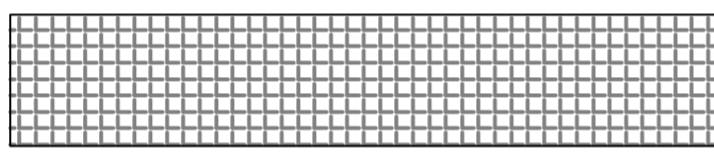
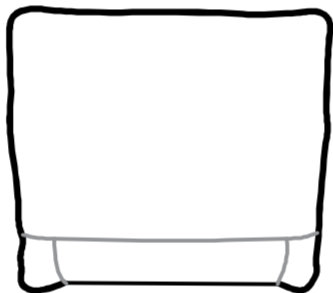
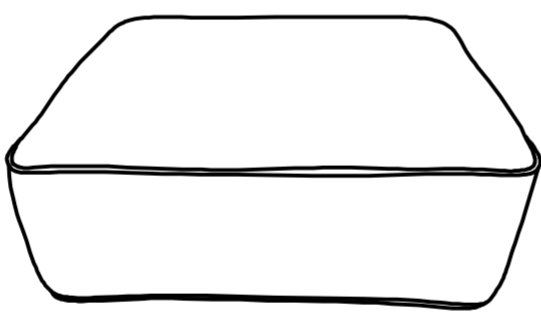



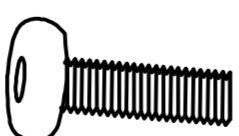
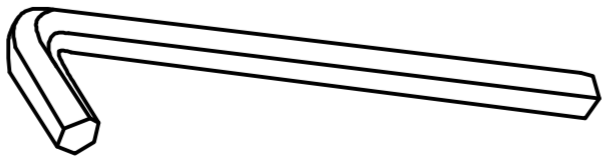
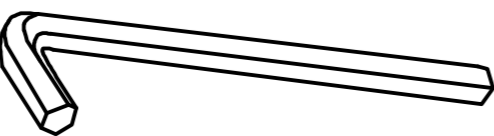
# Assembly Instruction



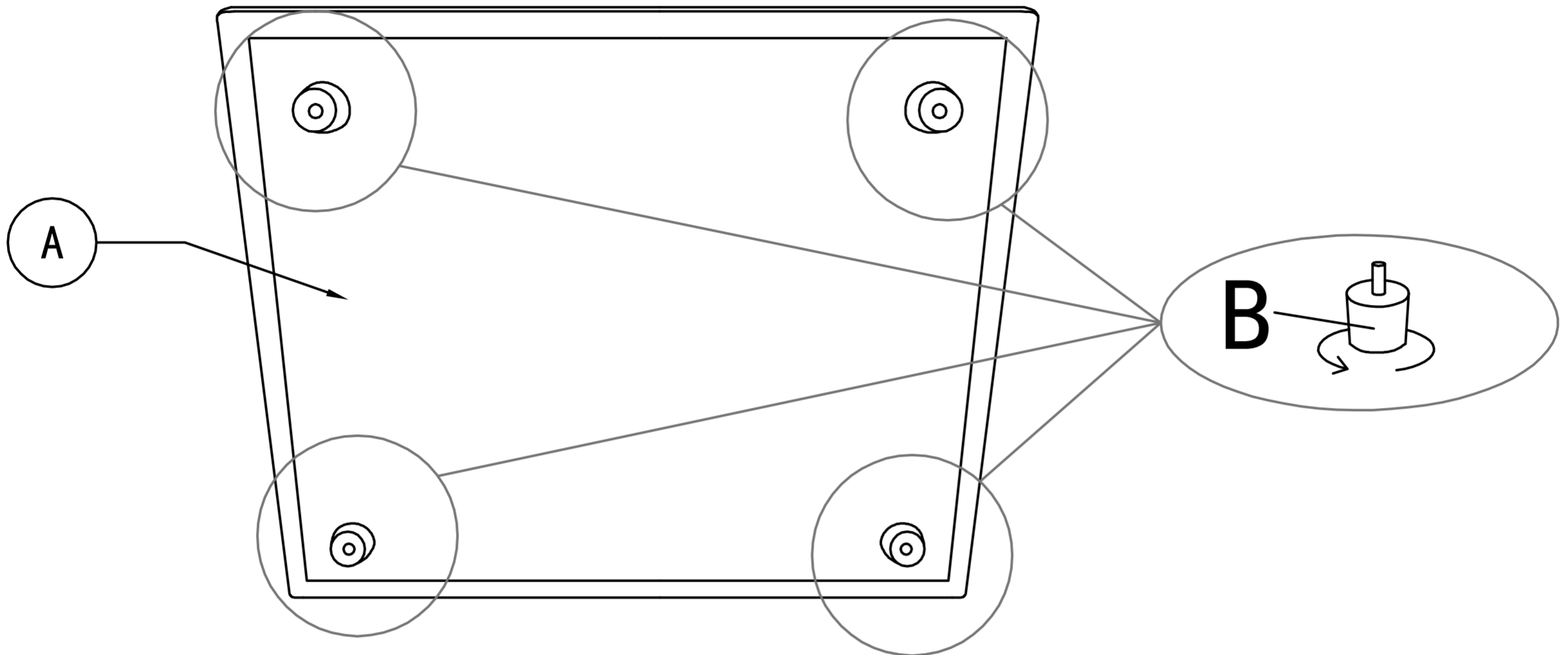
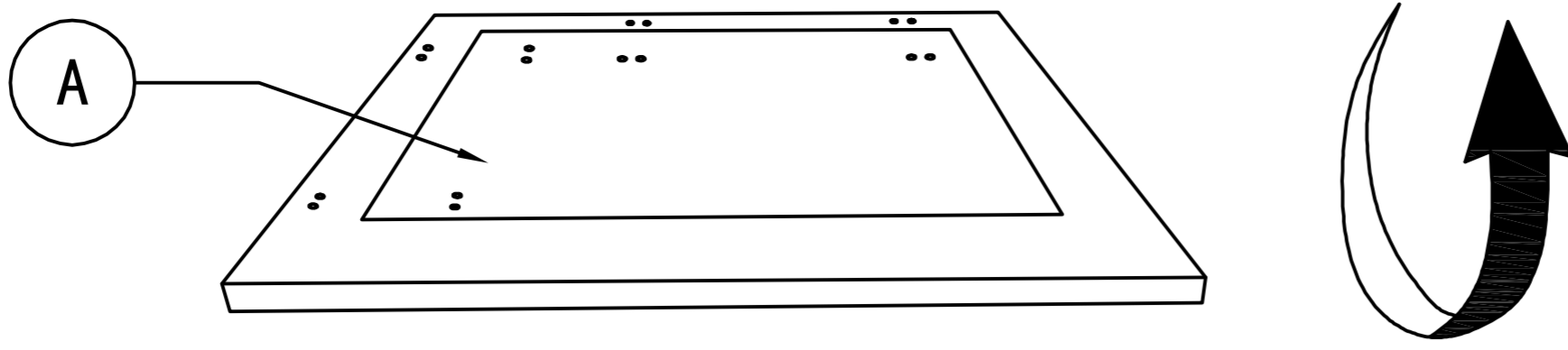
# Parts List

Label	Picture	Description	QTY
A		Wood Base	1
B		Leg	4
C		Metal Support	4
D		Wood Support	2
E		Velcro	2
F		Back Cushion	2
G		Seat Cushion	1

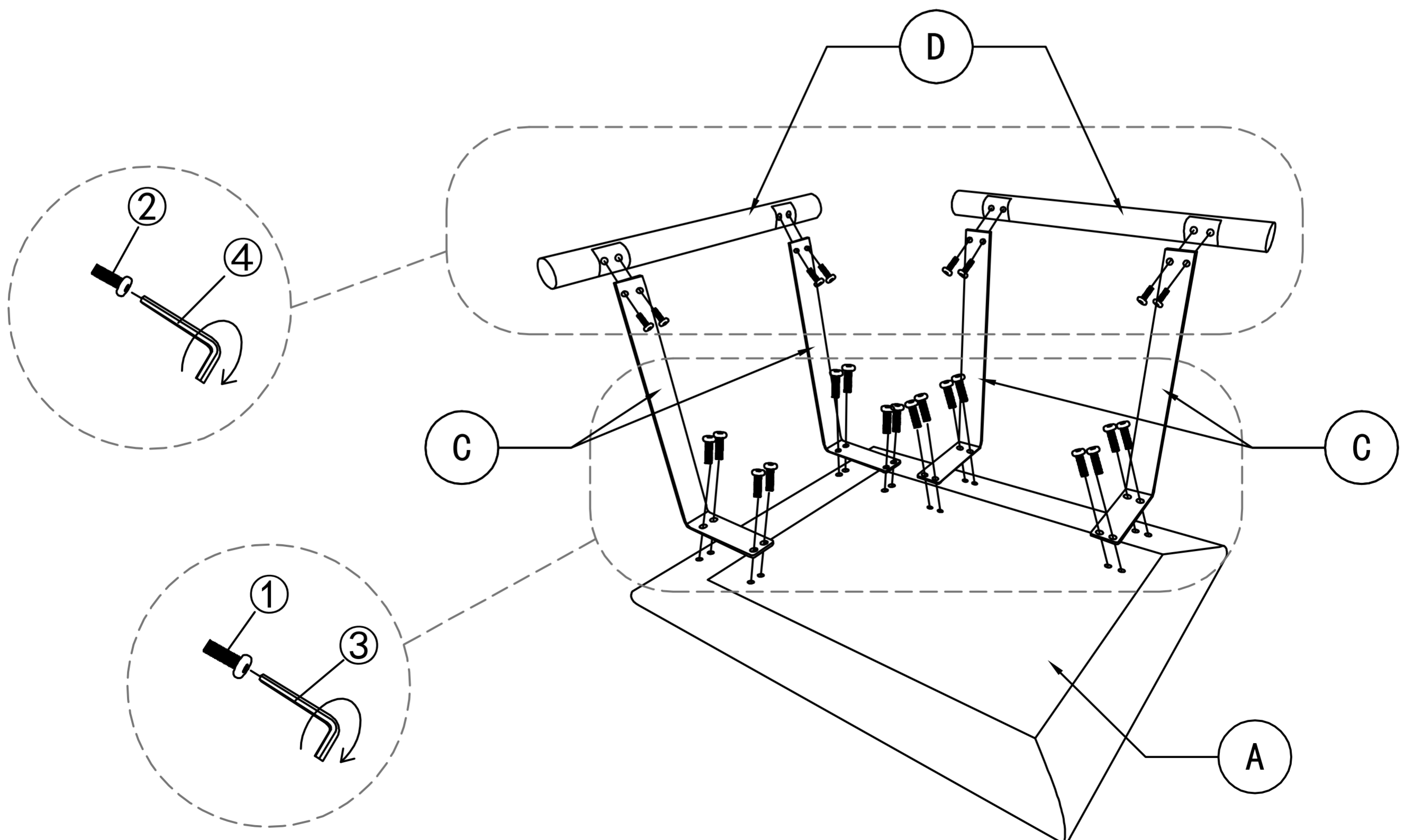
## Hardware

Label	Picture	Description	QTY
①		Bolt (M8*25MM)	16
②		Bolt (M6*25MM)	8
③		Allen Key (5mm)	1
④		Allen Key (4mm)	1

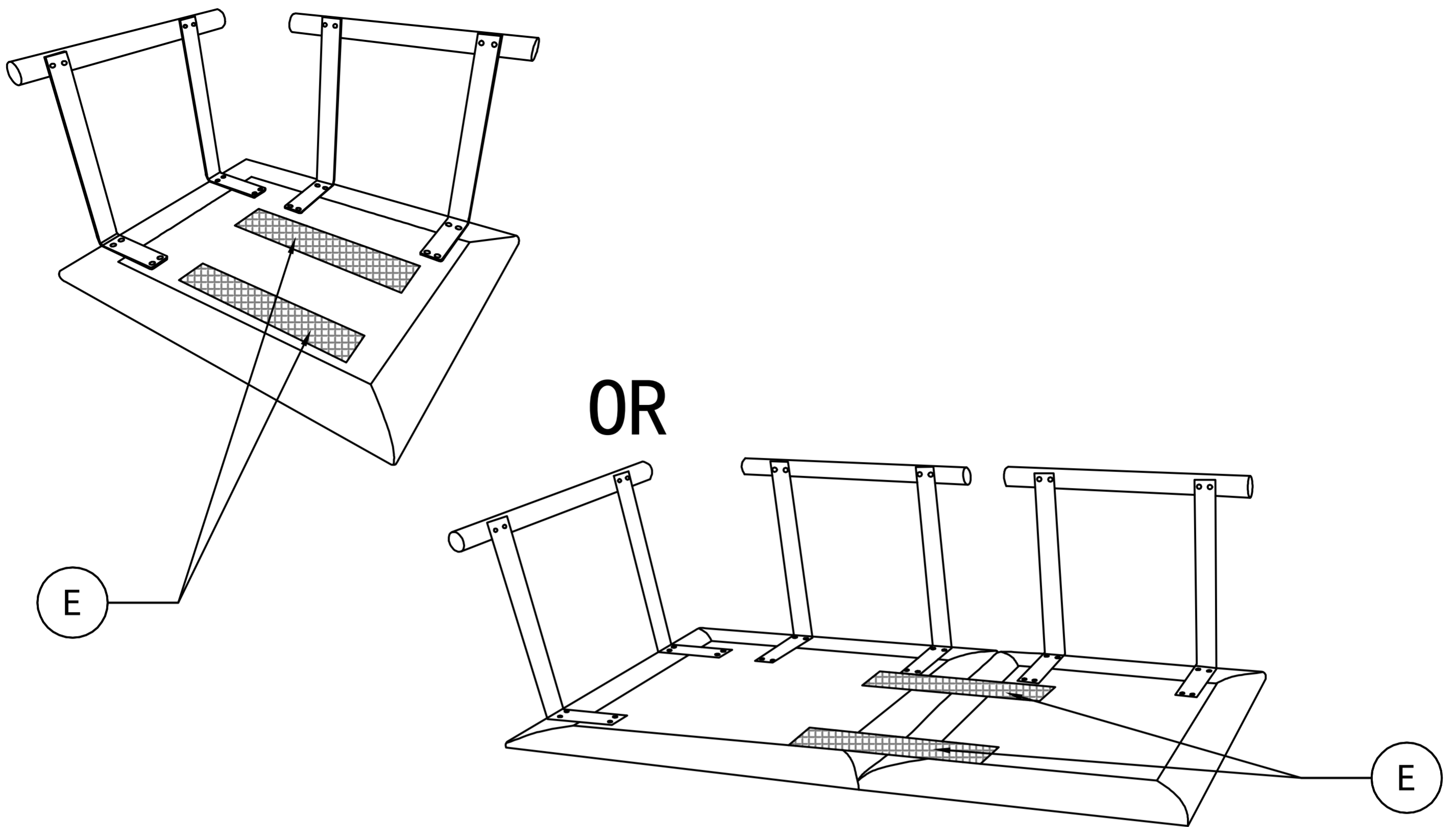
# Step1



# Step2

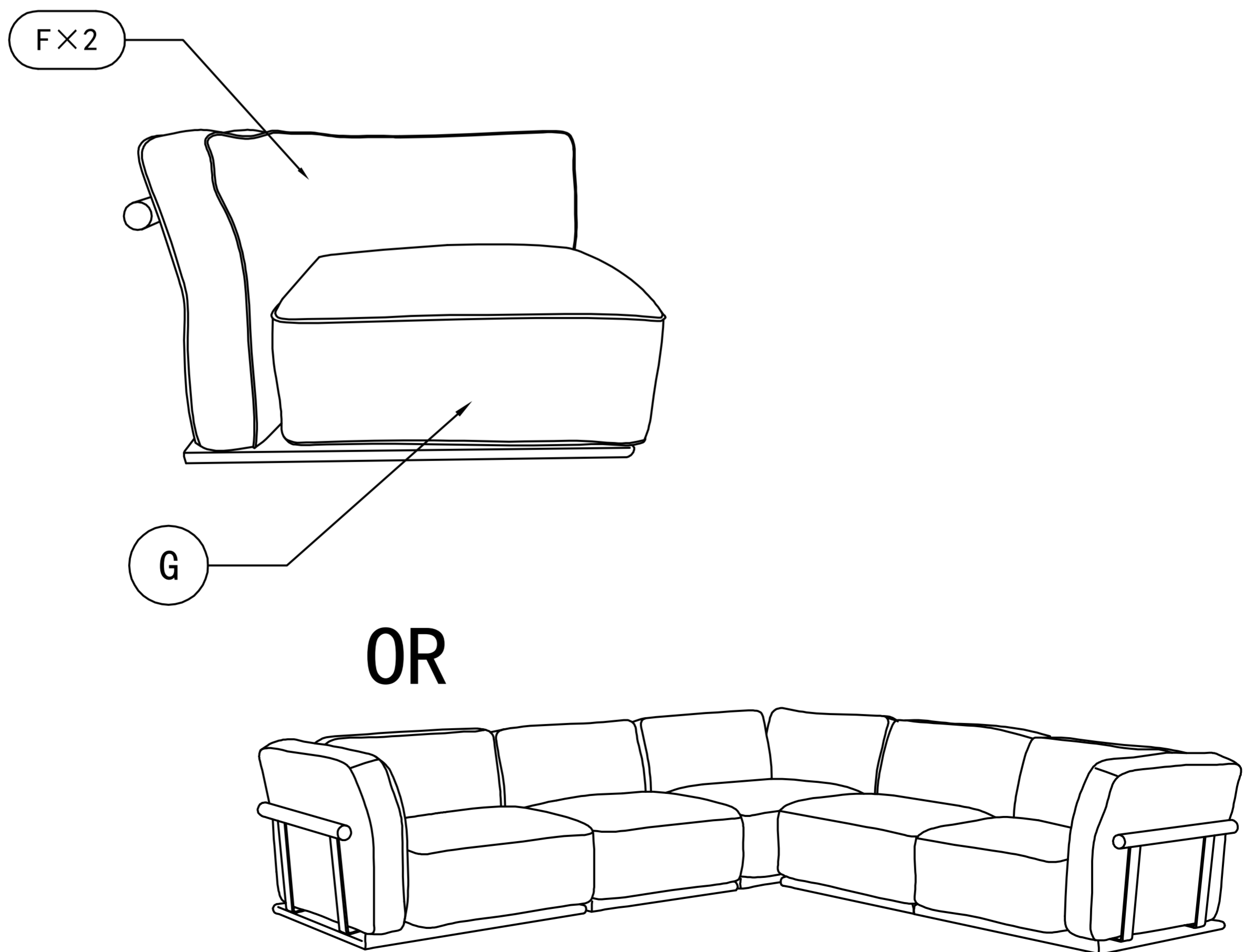


# Step3



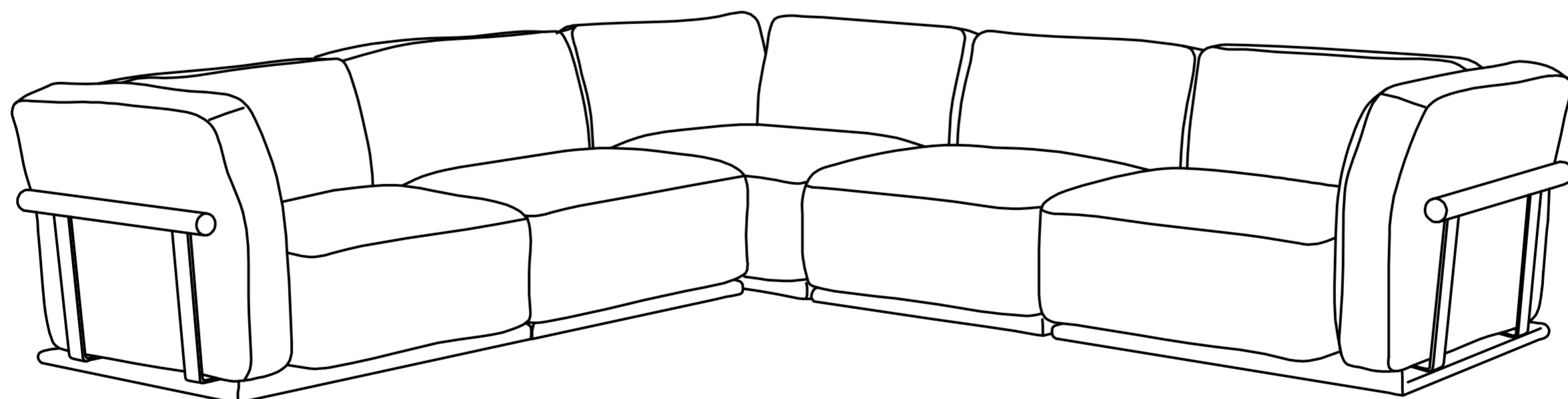
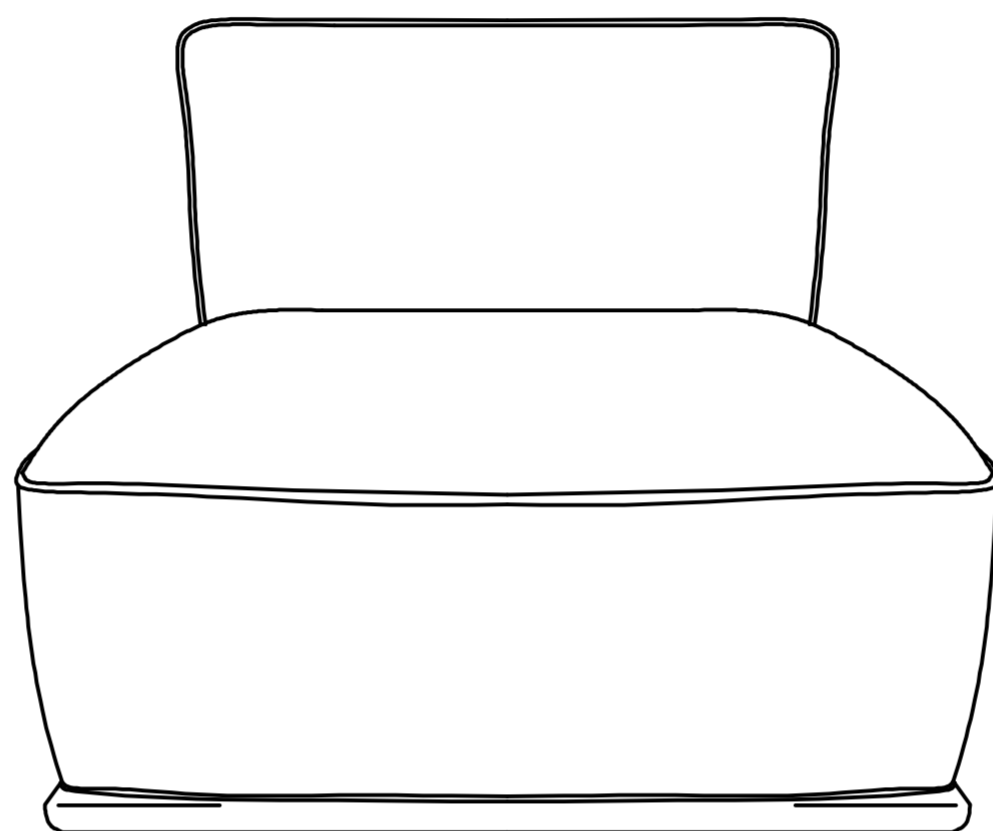
USE VELCRO TO PASTE BASE (A) OF THE OTHER SOFA TO JOINT TOGETHER

# Step4

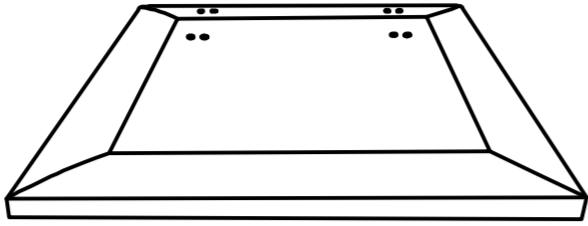
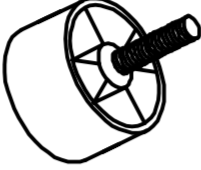
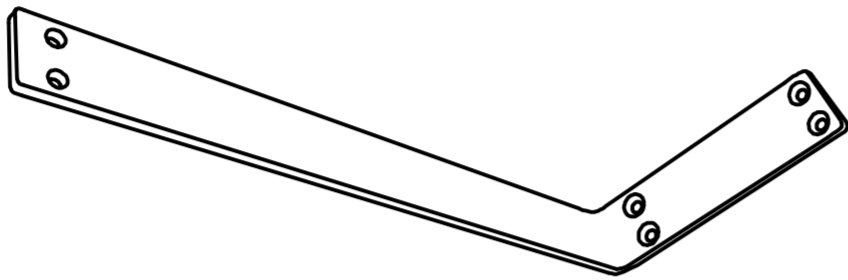
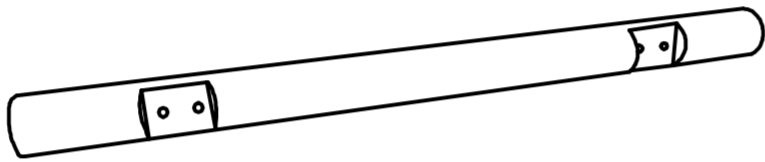
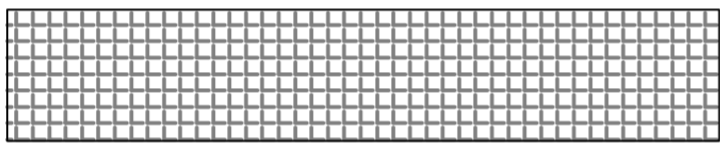
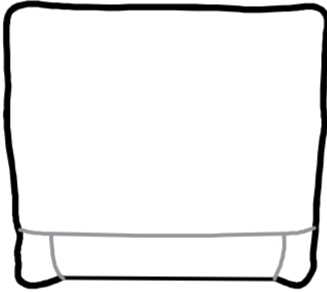
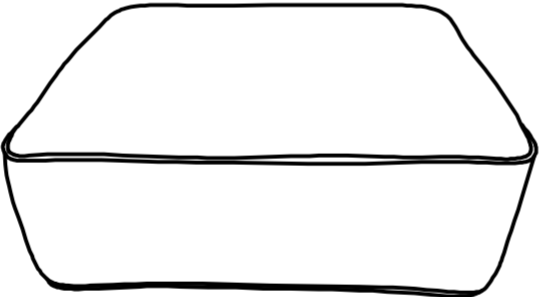


Mix and match with other sofas from the same series for customizable DIY combinations

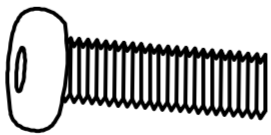
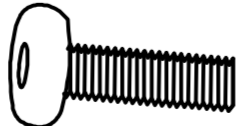
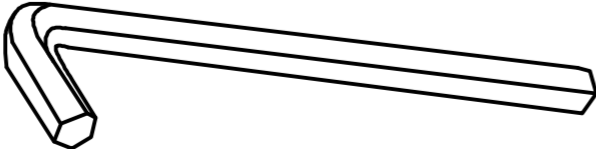
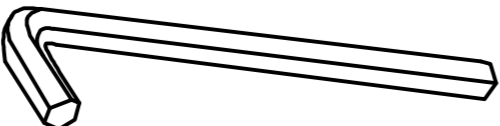
# Assembly Instruction



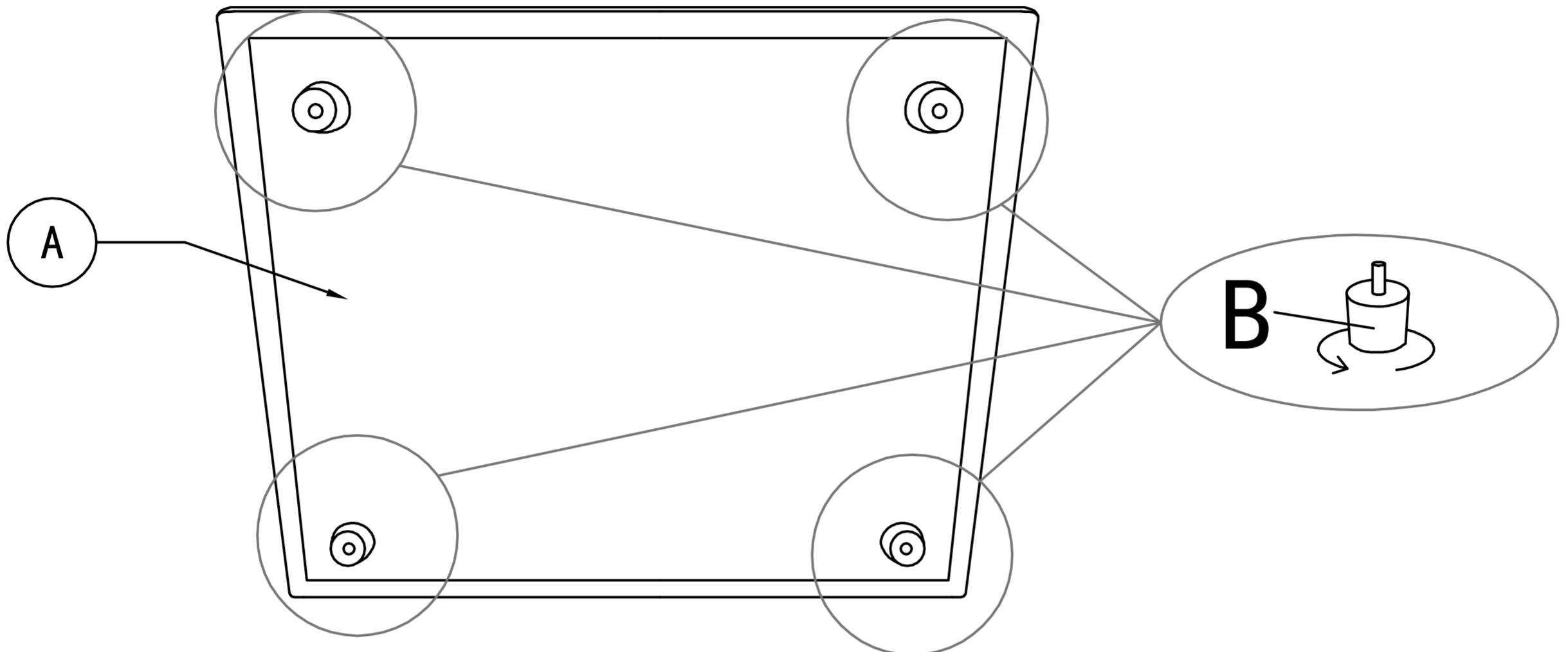
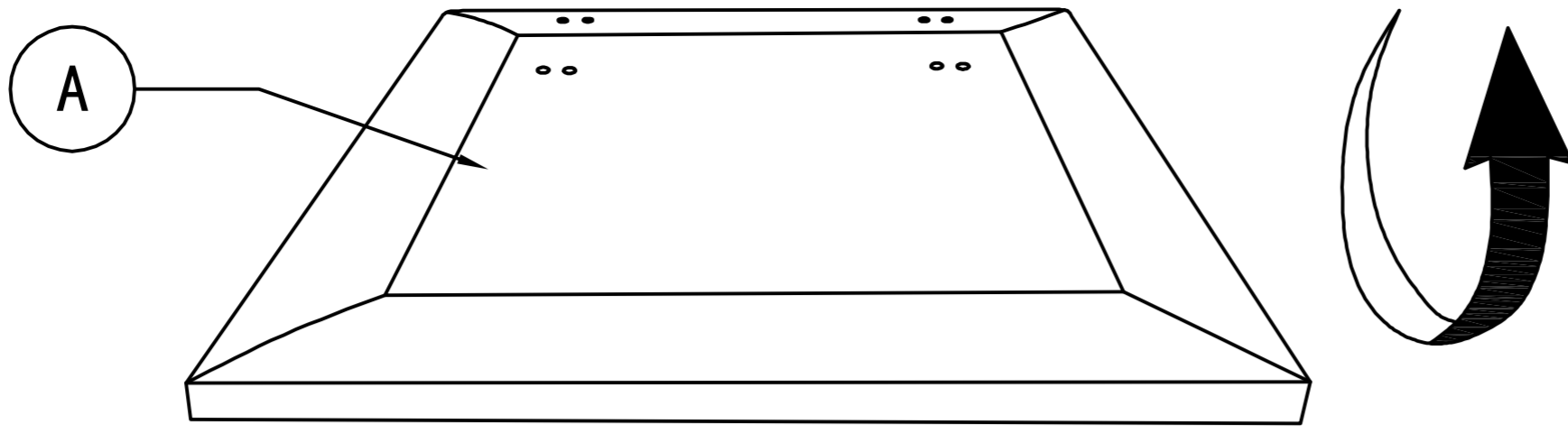
# Parts List

Label	Picture	Description	QTY
A		Wood Base	1
B		Leg	4
C		Metal Support	2
D		Wood Support	1
E		Velcro	2
F		Back Cushion	1
G		Seat Cushion	1

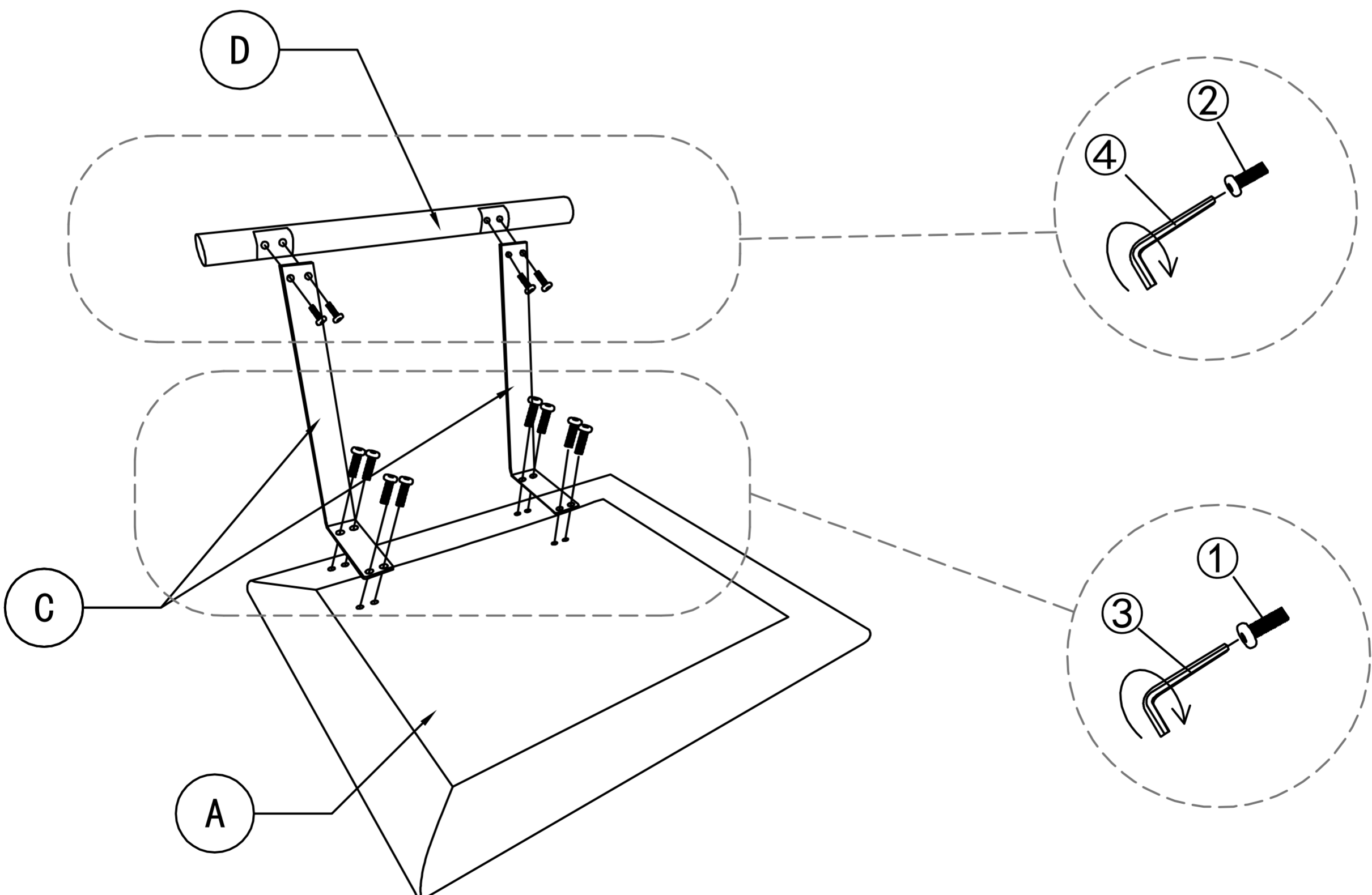
## Hardware

Label	Picture	Description	QTY
①		Bolt (M8*25MM)	8
②		Bolt (M6*25MM)	4
③		Allen Key (5mm)	1
④		Allen Key (4mm)	1

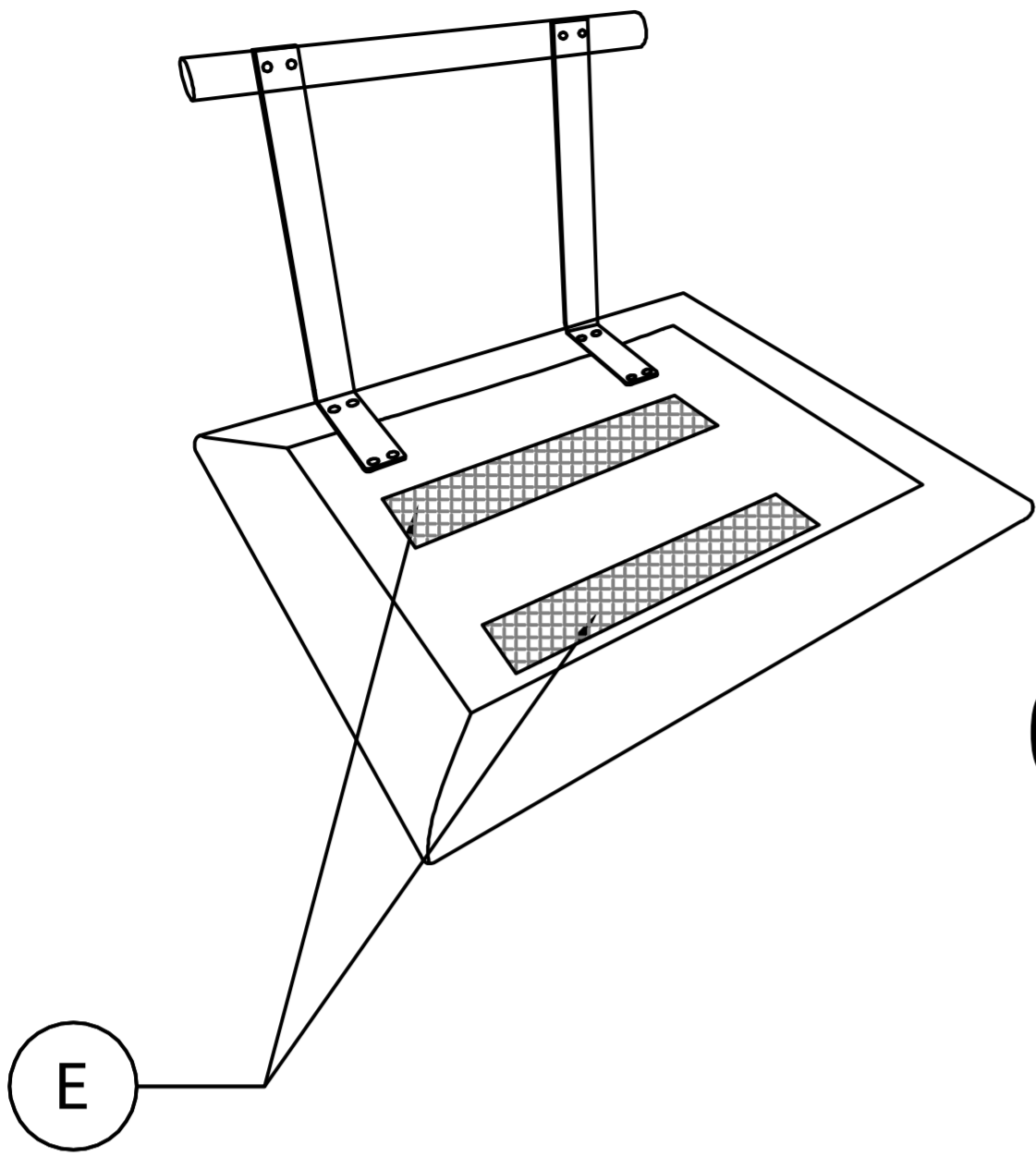
# Step1



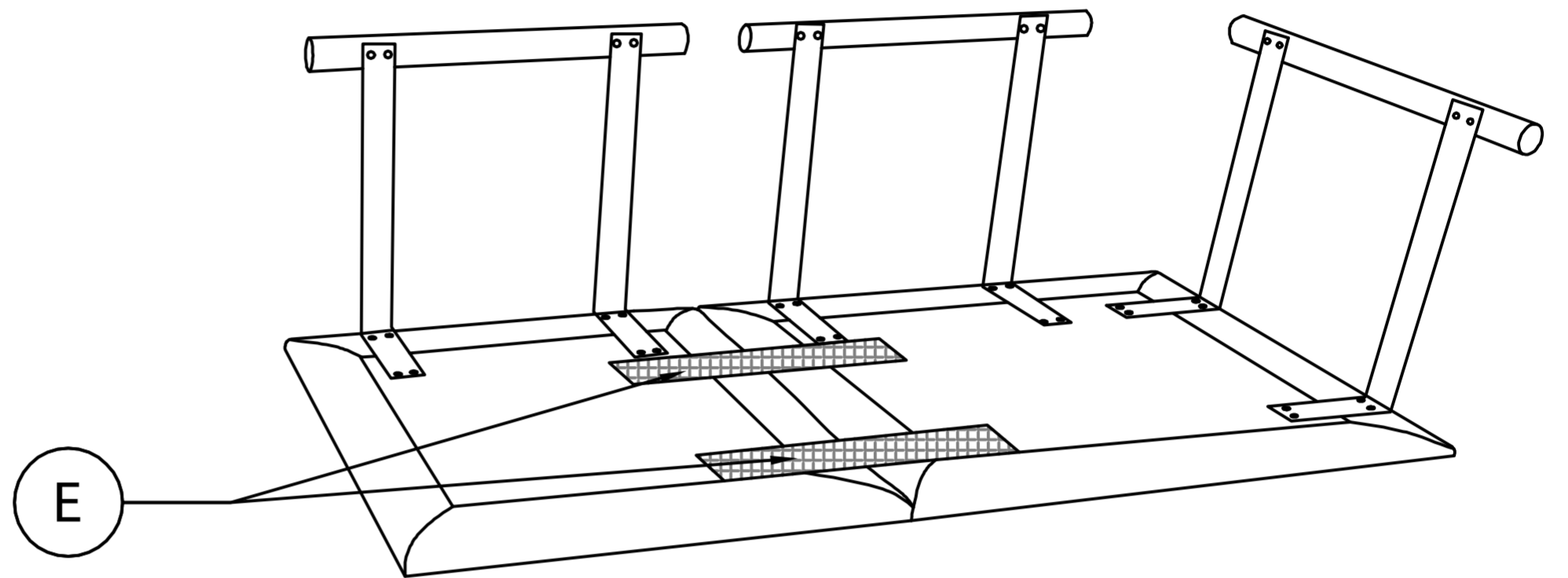
# Step2



# Step3

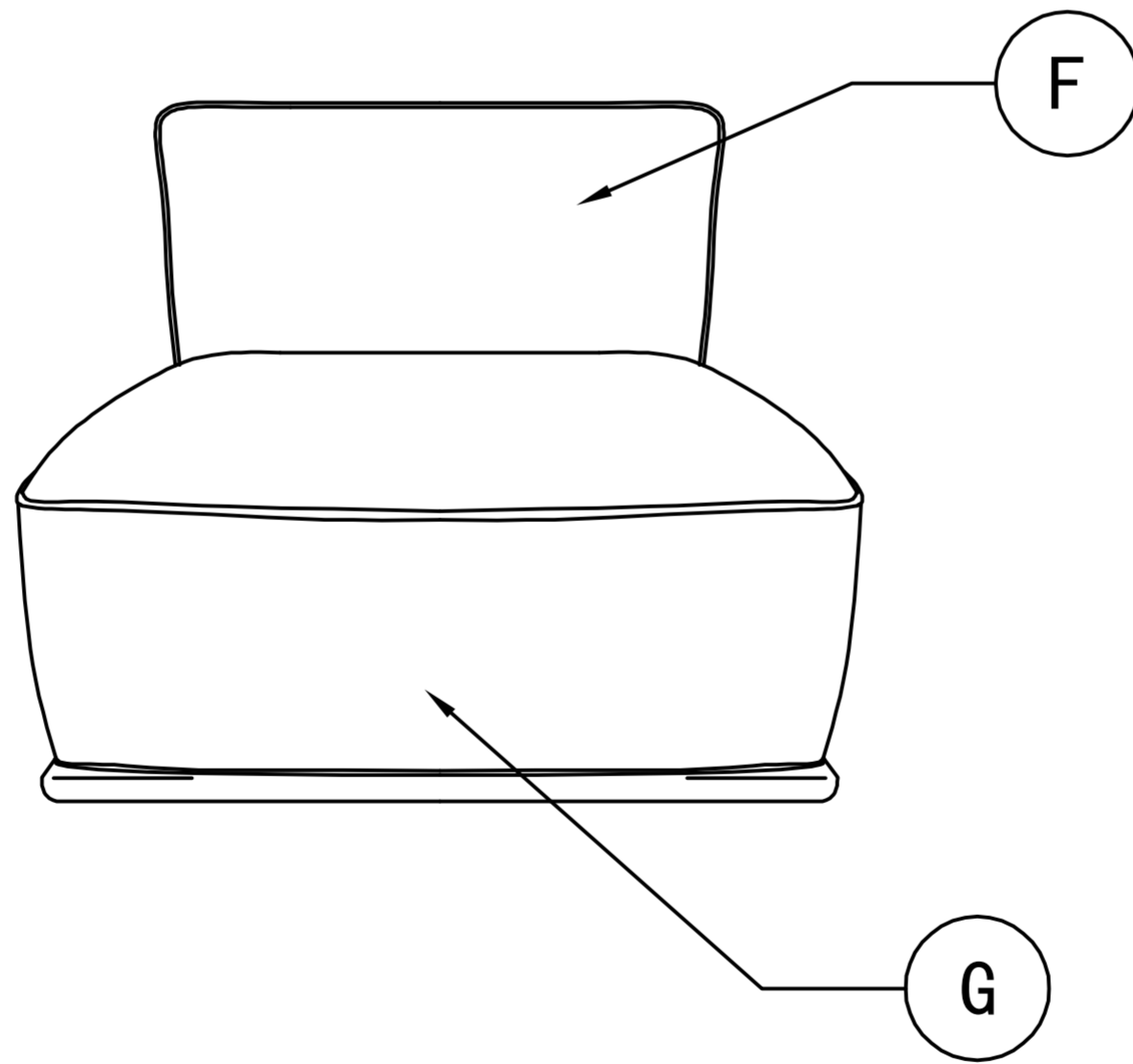


OR

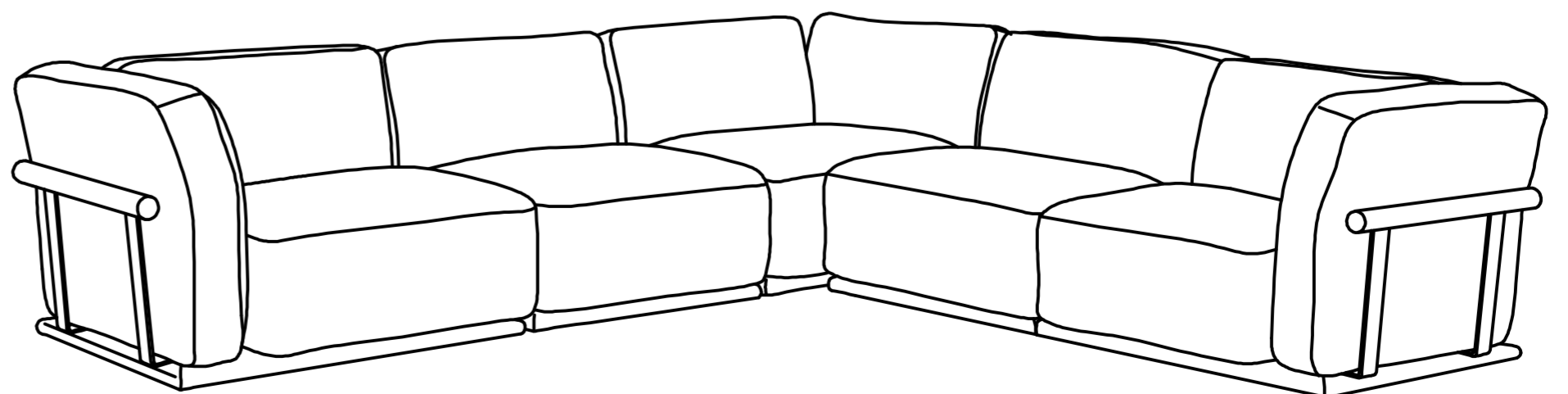


USE VELCRO TO PASTE BASE (A) OF THE OTHER SOFA TO JOINT TOGETHER

# Step4

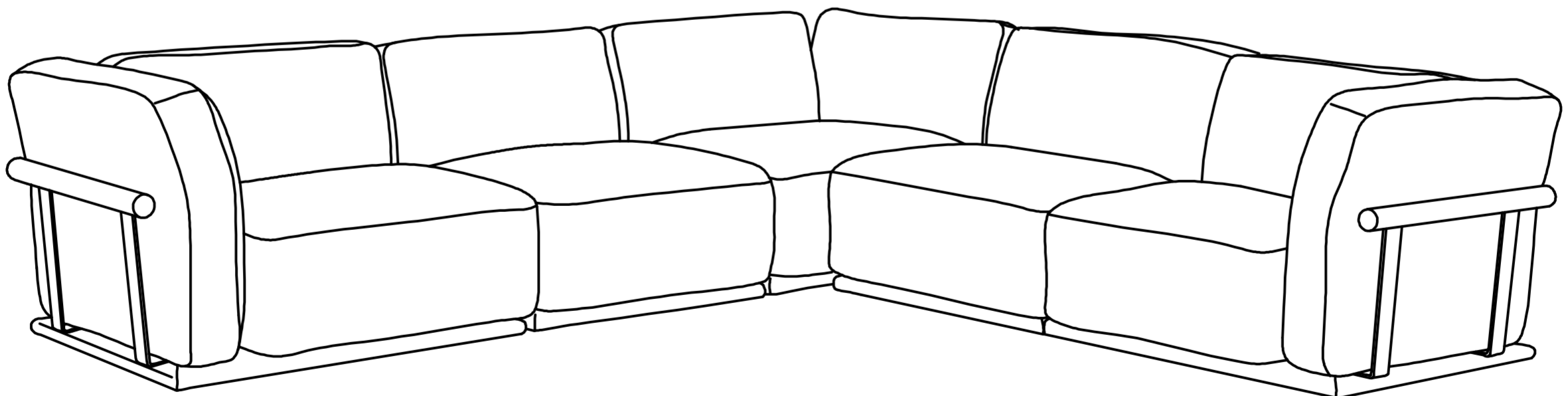
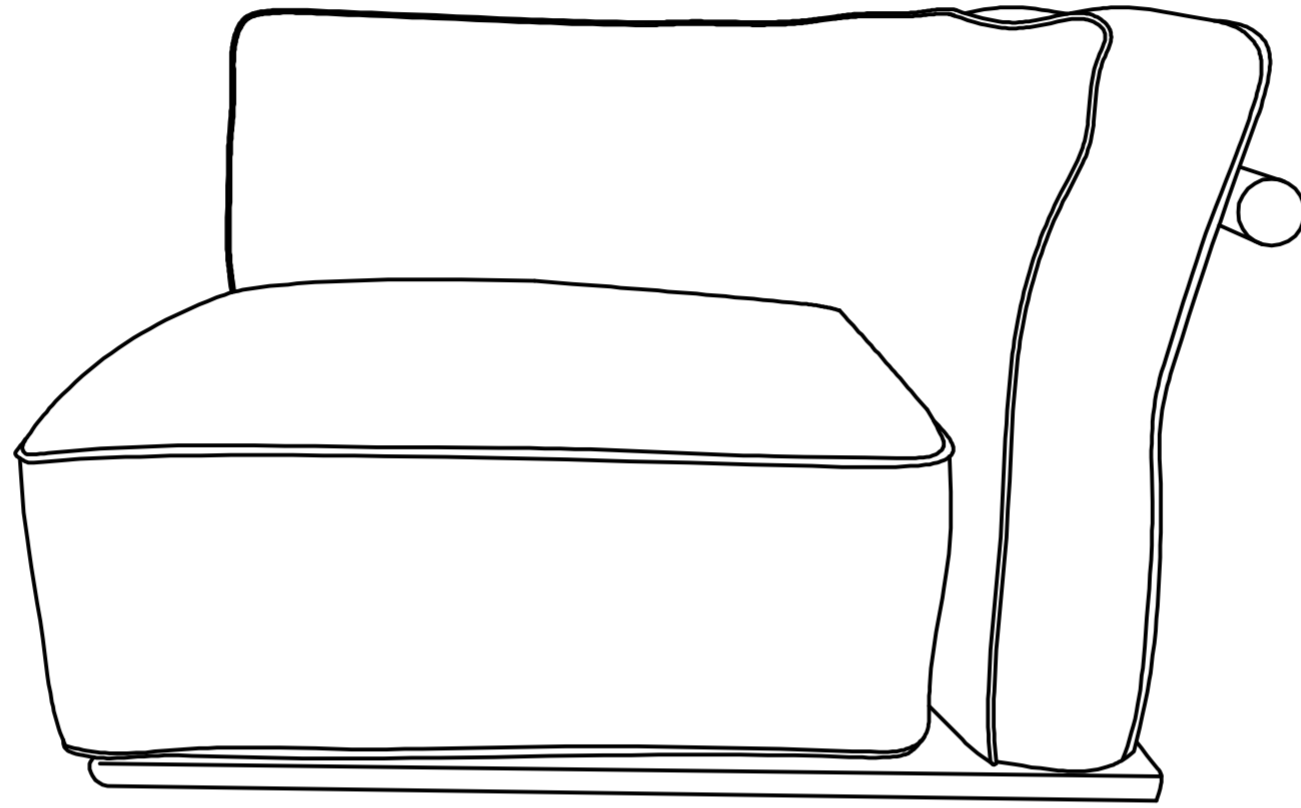


OR

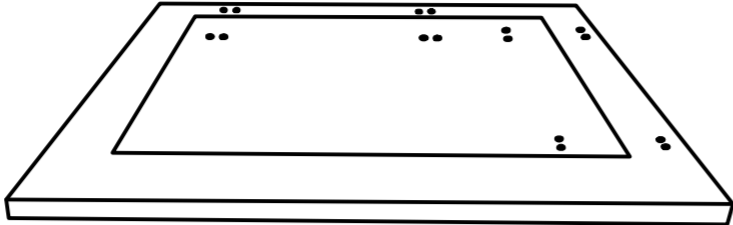
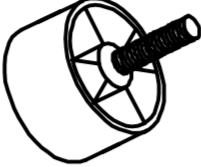
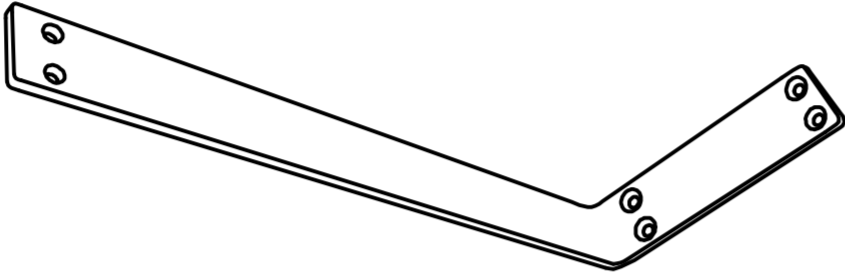
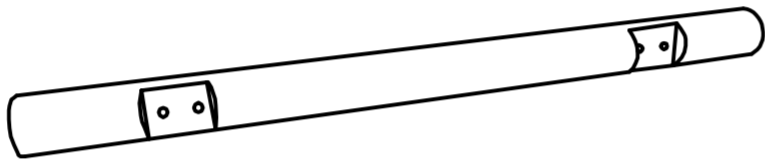
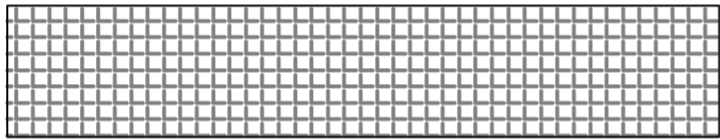
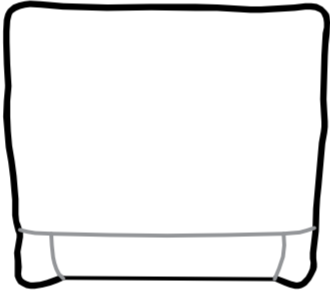
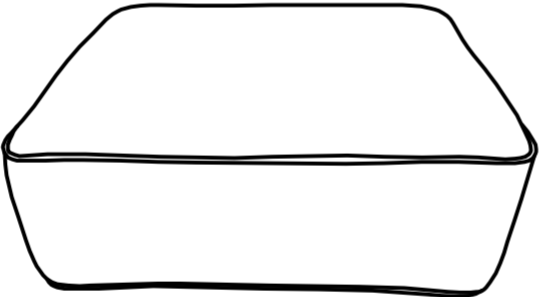


Mix and match with other sofas from the same series for customizable DIY combinations

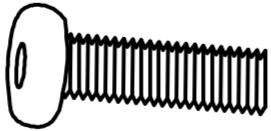
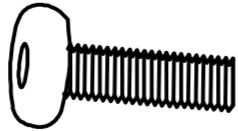
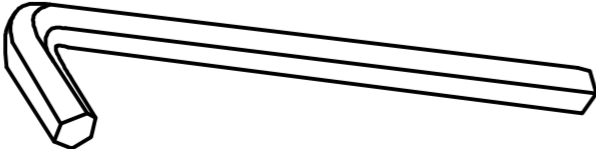
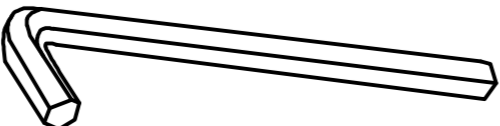
# Assembly Instruction



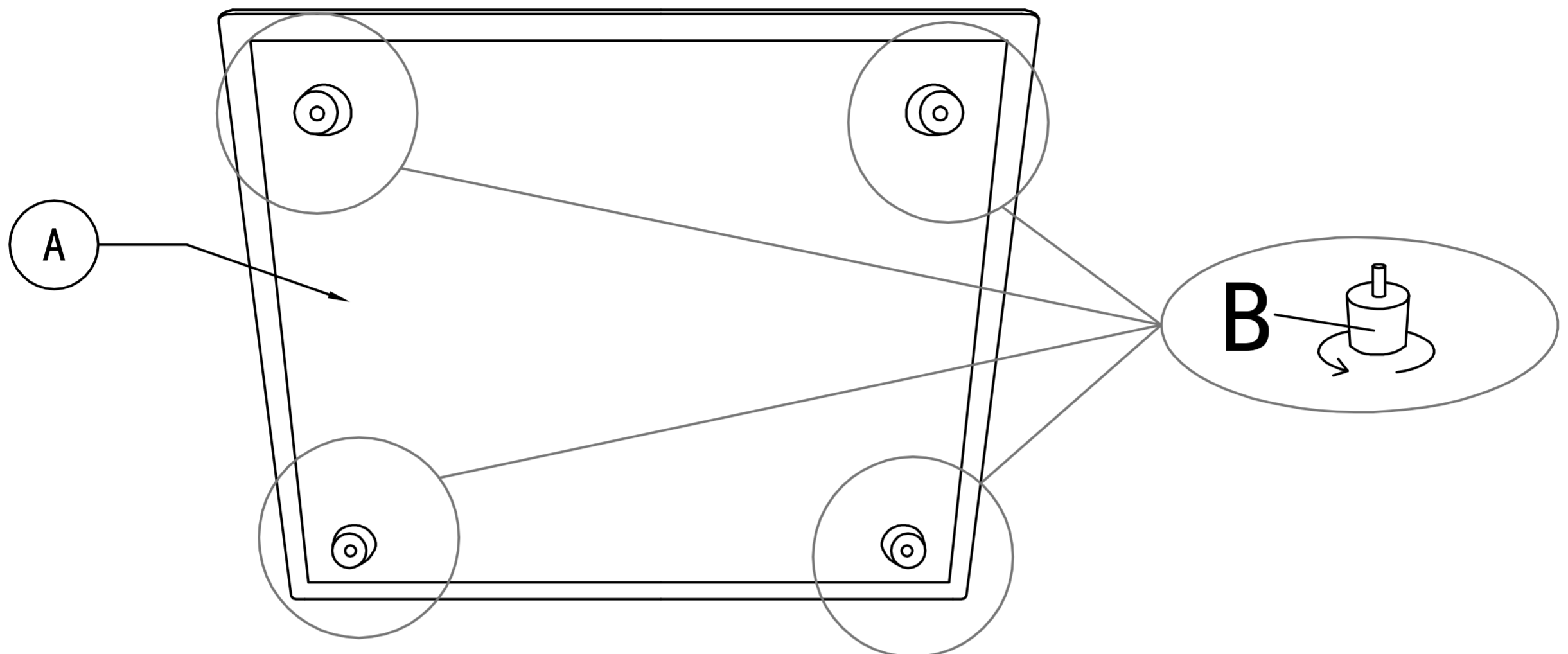
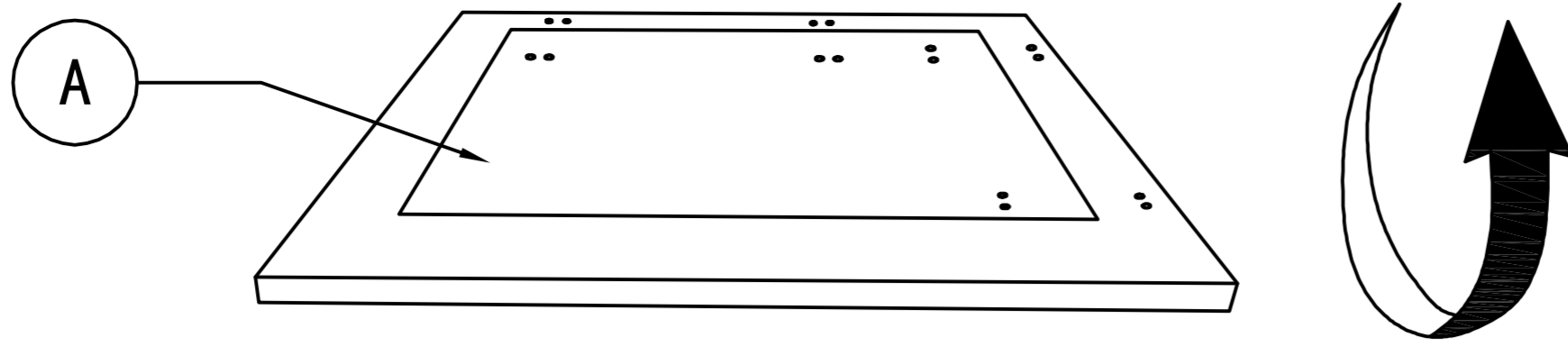
# Parts List

Label	Picture	Description	QTY
A		Wood Base	1
B		Leg	4
C		Metal Support	4
D		Wood Support	2
E		Velcro	2
F		Back Cushion	2
G		Seat Cushion	1

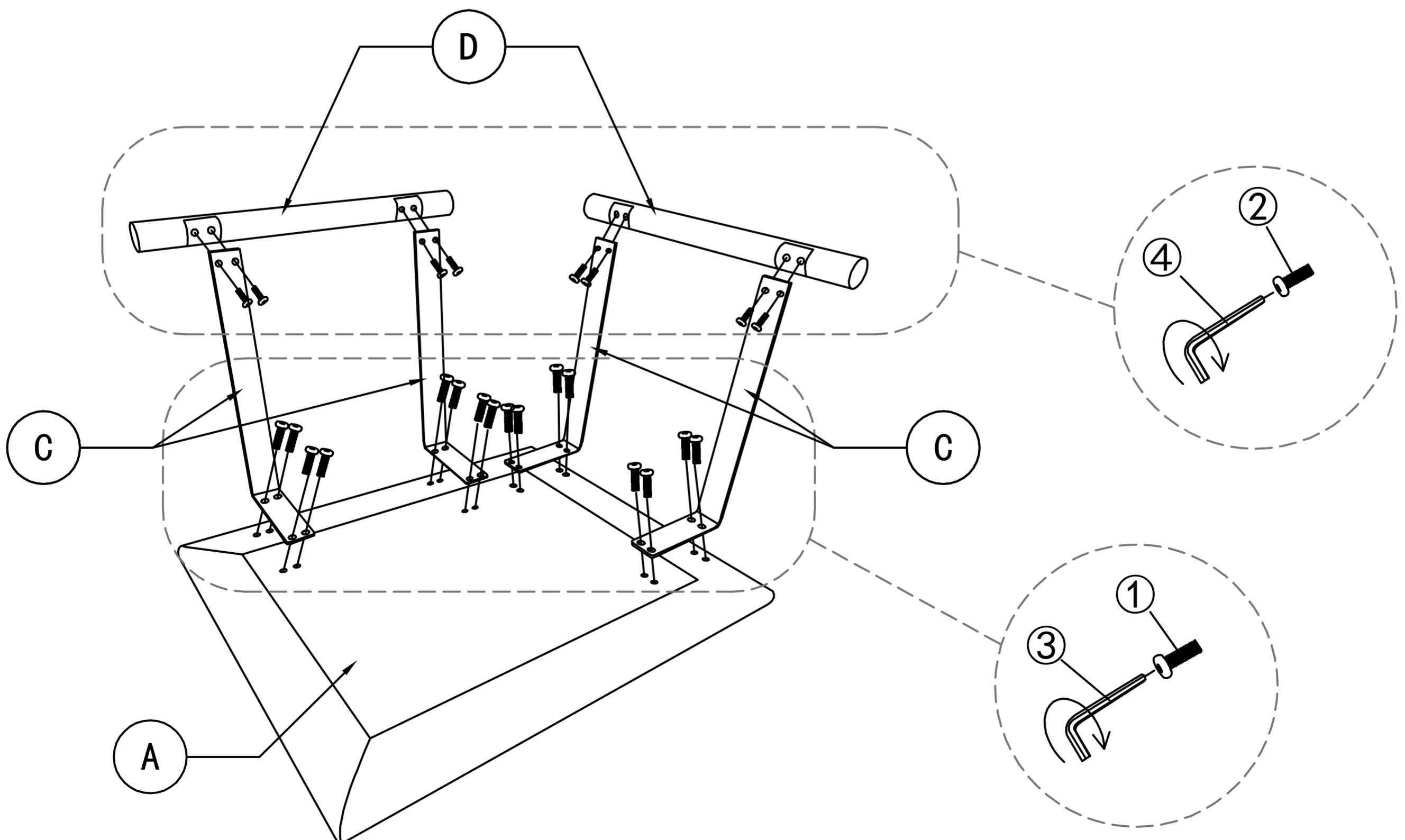
## Hardware

Label	Picture	Description	QTY
①		Bolt (M8*25MM)	16
②		Bolt (M6*25MM)	8
③		Allen Key (5mm)	1
④		Allen Key (4mm)	1

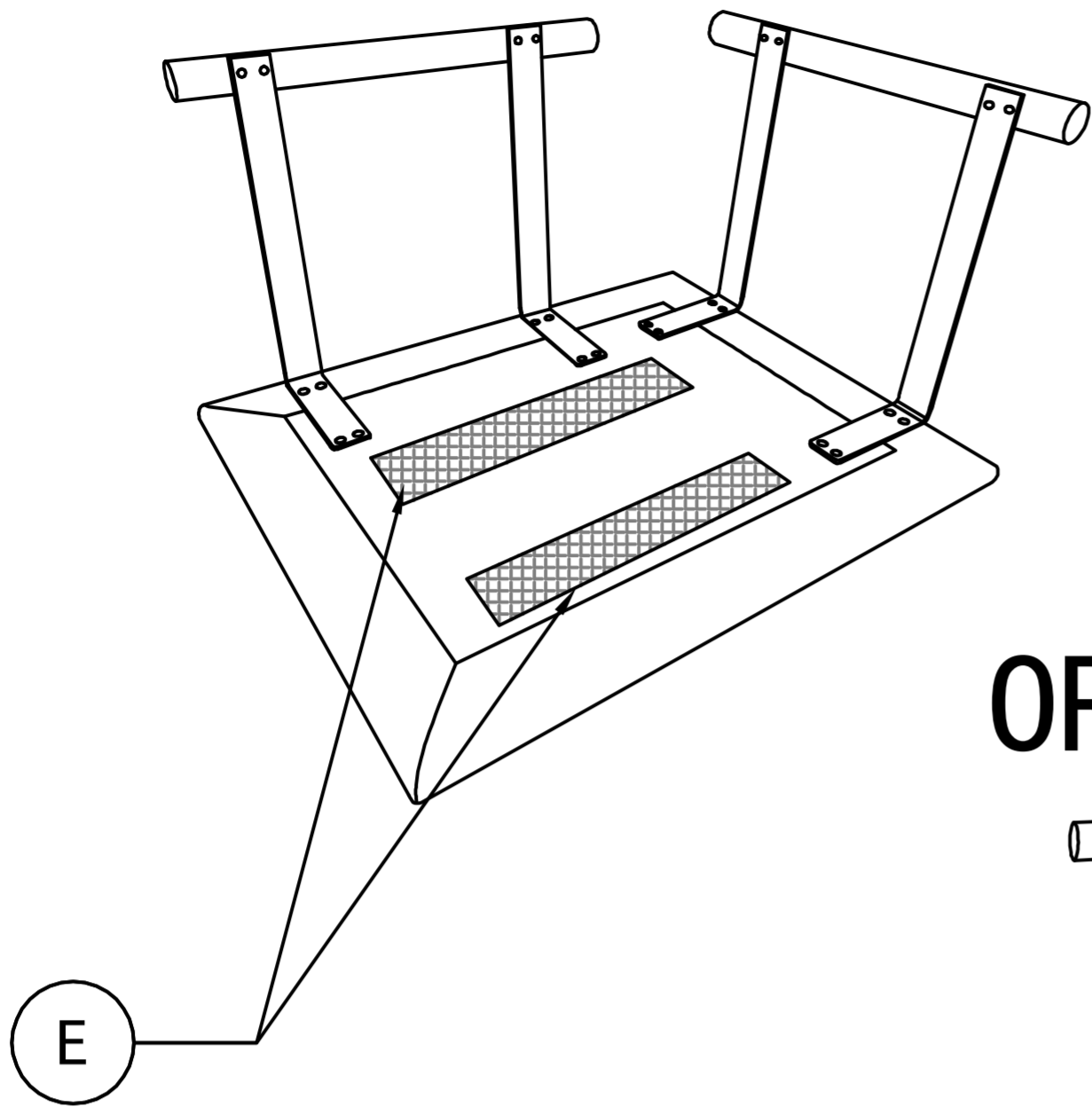
# Step1



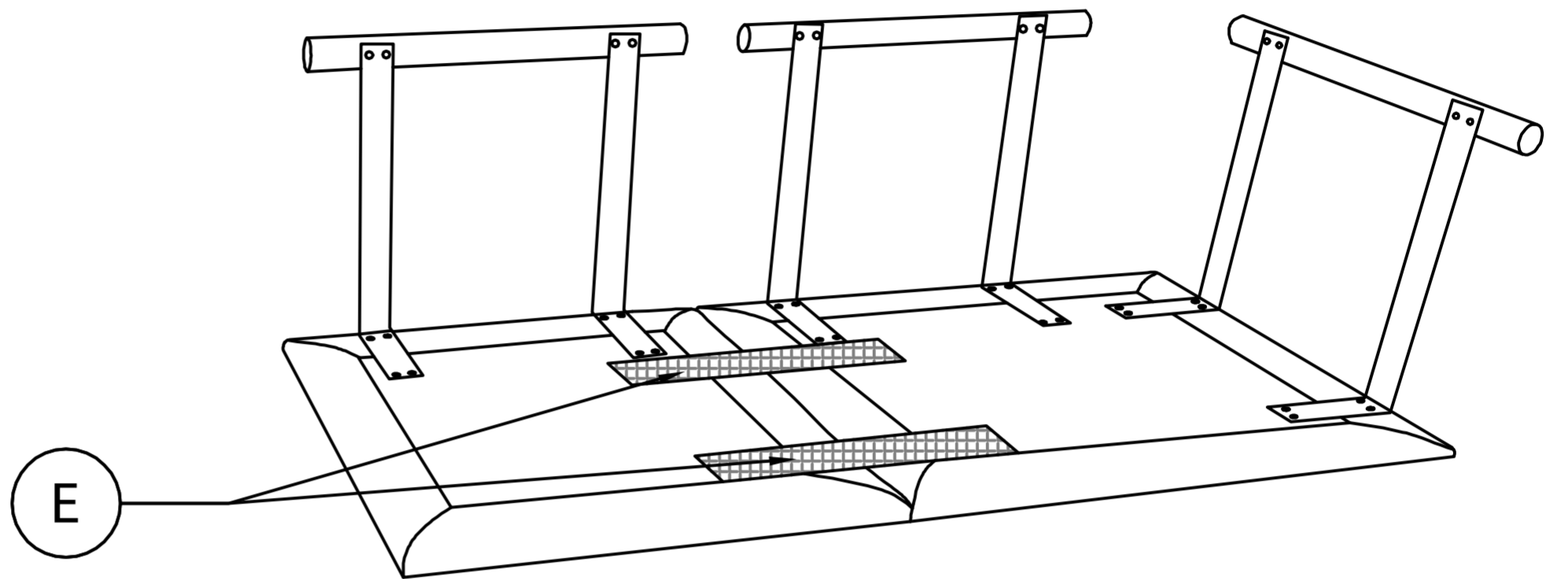
# Step2



# Step3

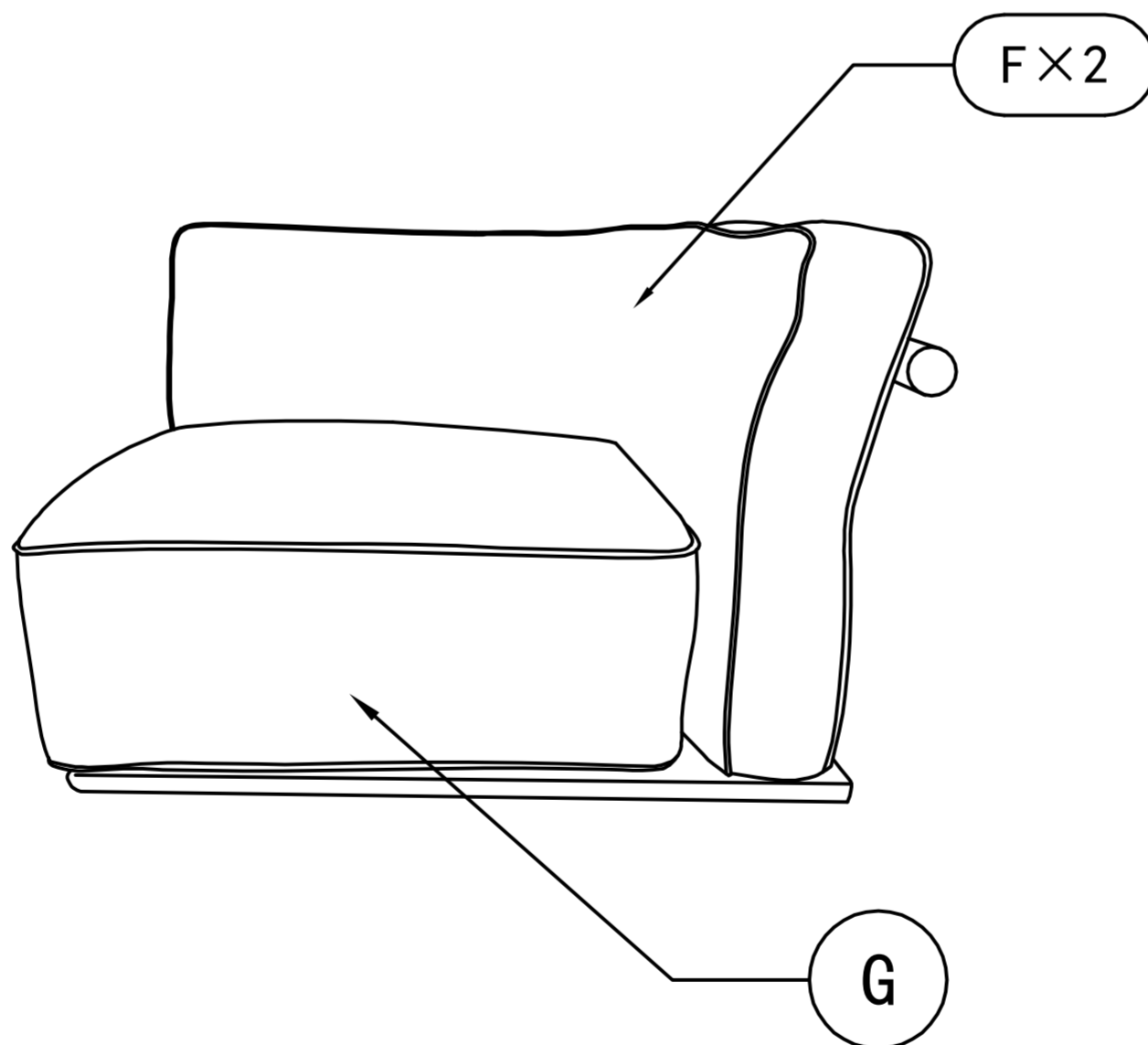


OR

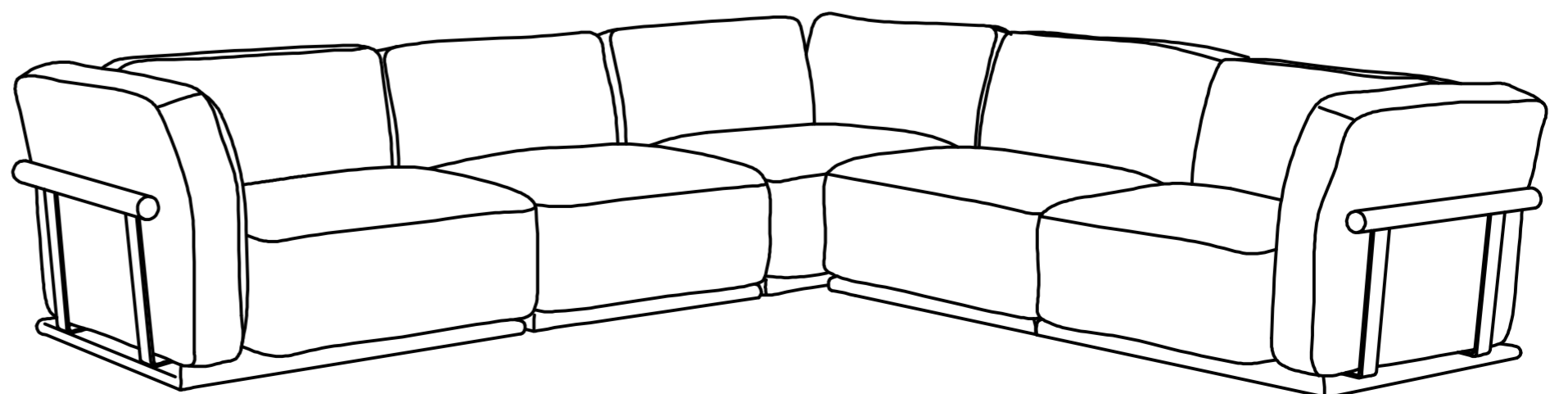


USE VELCRO TO PASTE BASE (A) OF THE OTHER SOFA TO JOINT TOGETHER

# Step4



OR



Mix and match with other sofas from the same series for customizable DIY combinations