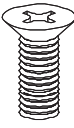
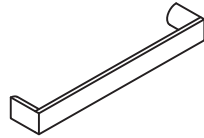

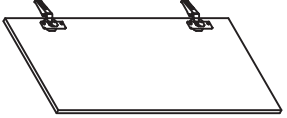


# PARTS LIST

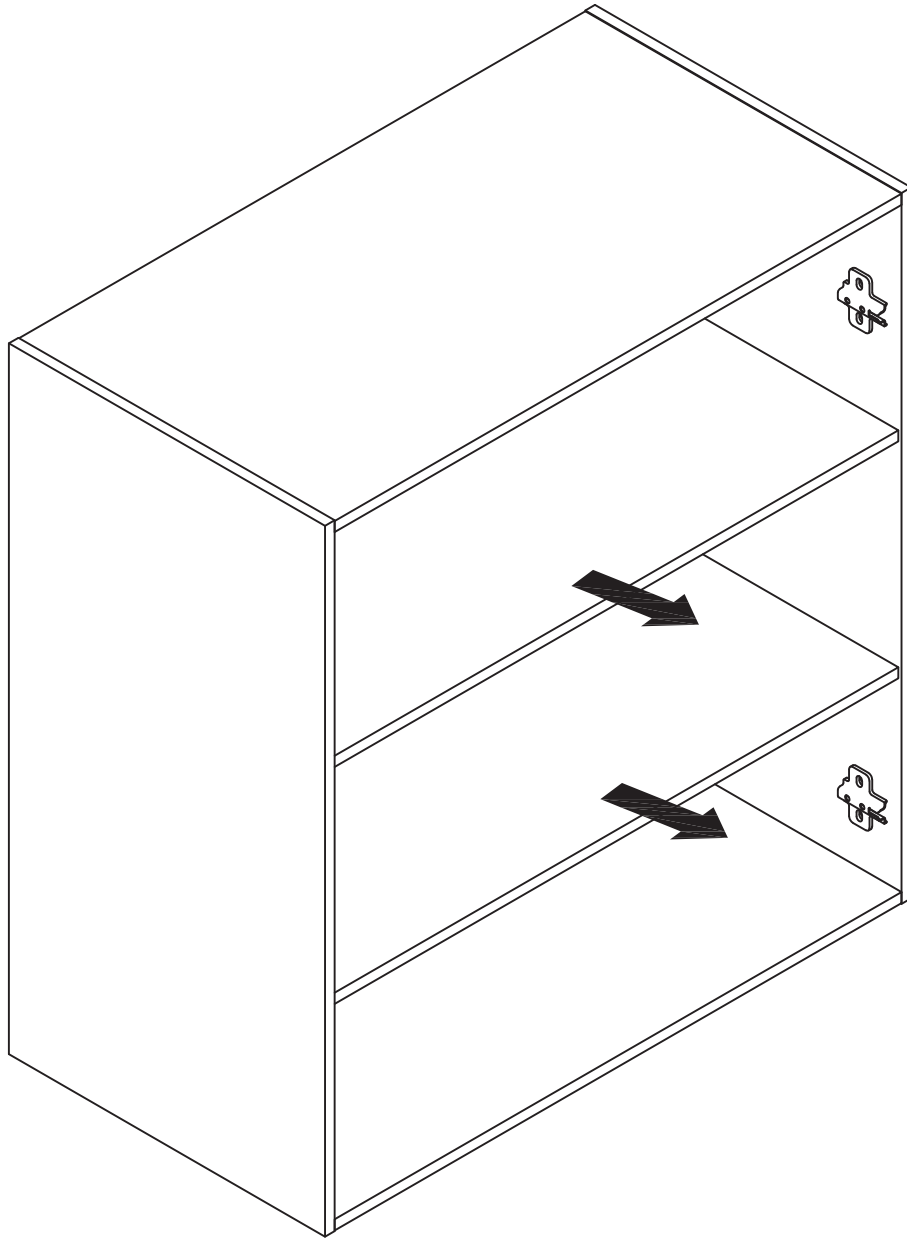
Name	Part	Qty.	Spare Qty
A	 M4x22mm	4	1
B	 Handle	2	

Name	Part	Qty.
C	 Glass Door	2
	or  Wood Door	

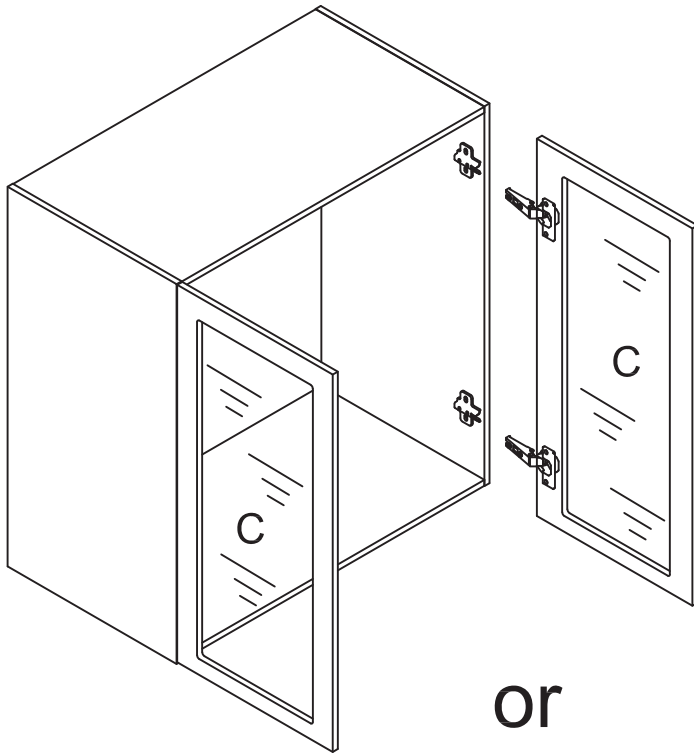
## IMPORTANT!

**Review ALL instructions before beginning assembly.** These instructions are provided to avoid problems that may occur from improper assembly or installation. and/or its distributor are not responsible for failure resulting from improper assembly or installation of this product. Moreover, all warranties are void for failure to follow these assembly instructions.

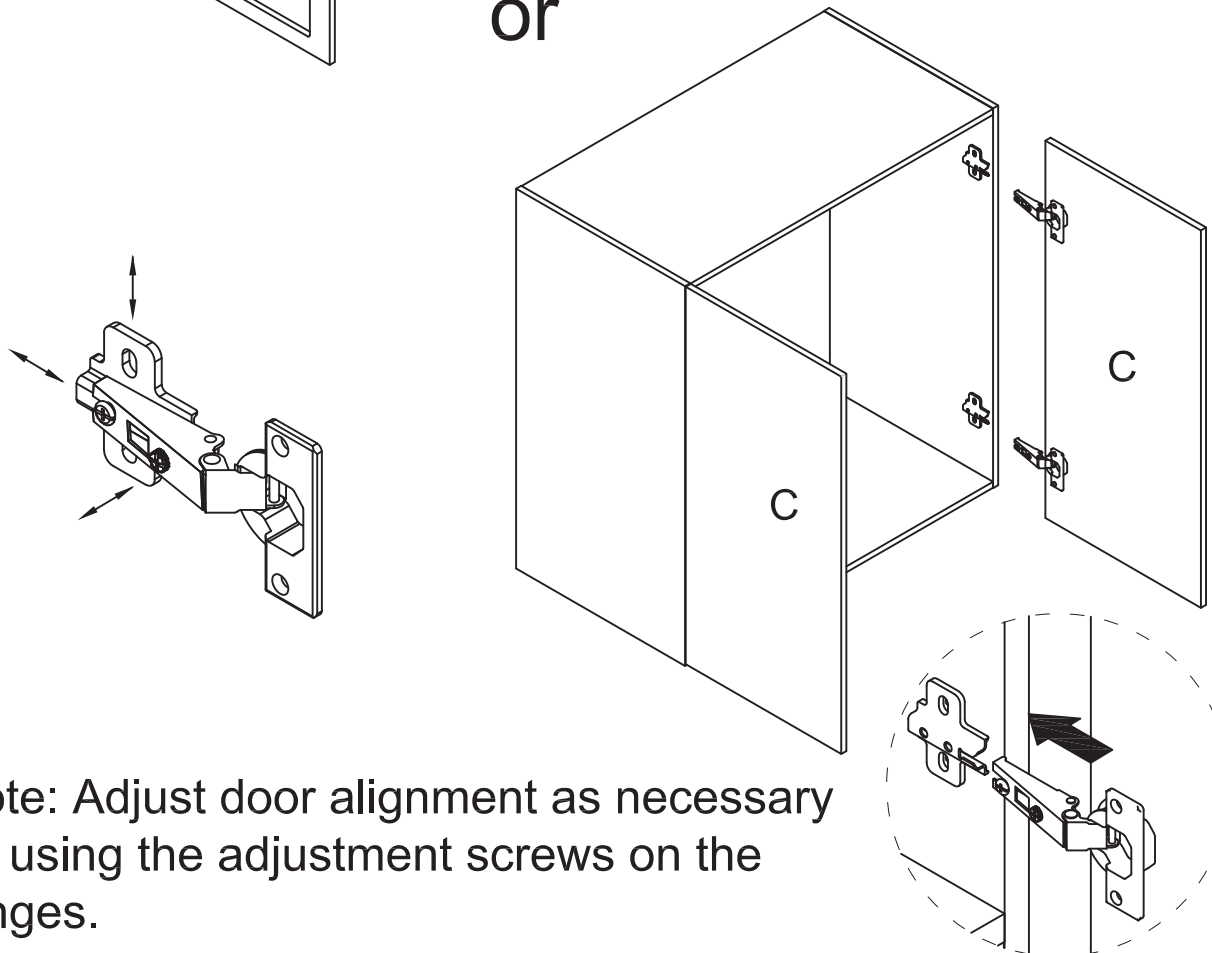
**1** Take out the Shelf Panels;



**2** Attach the Door (C) to the Hinge Plate;

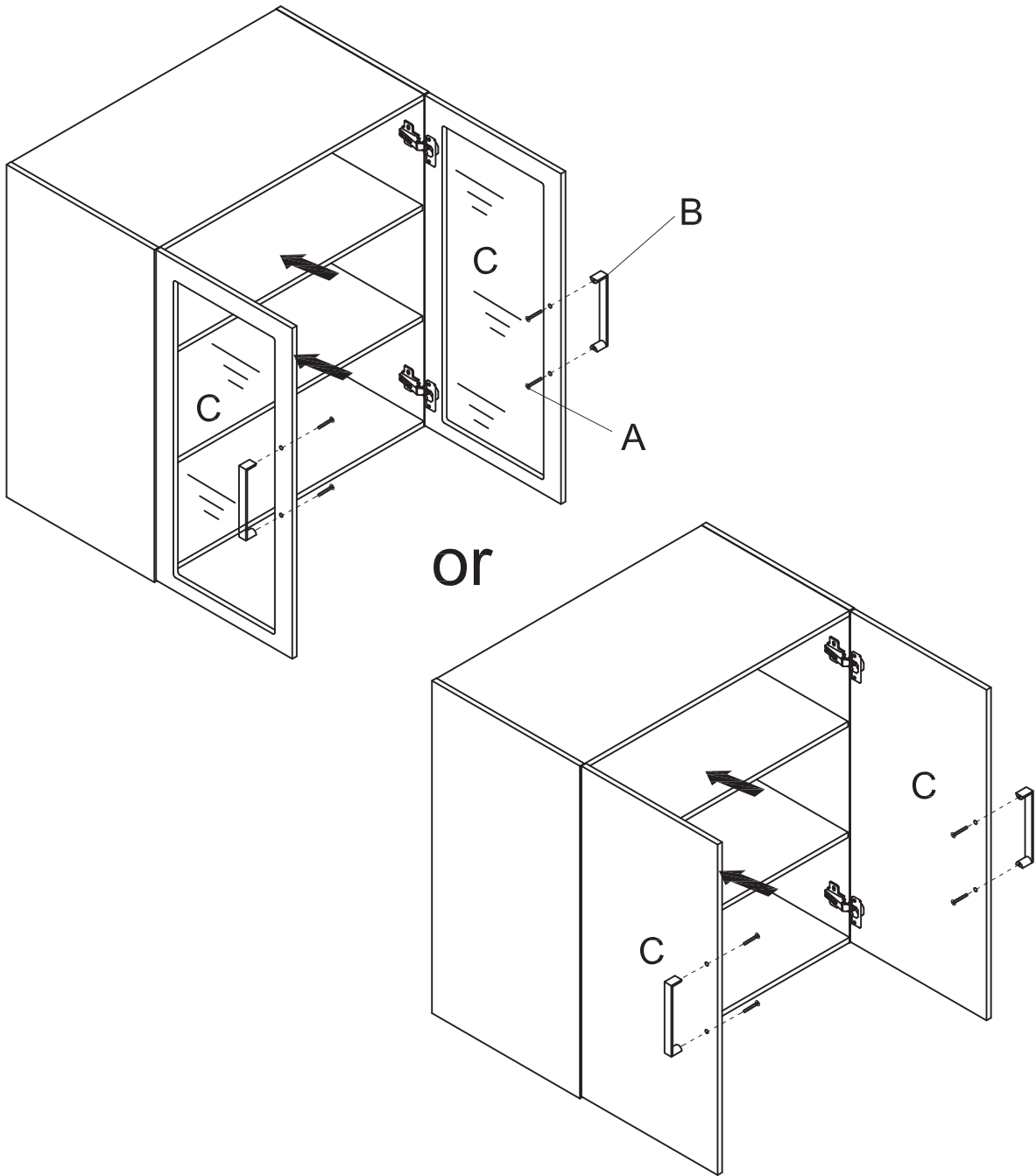


or

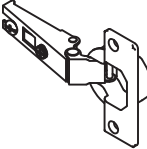



Note: Adjust door alignment as necessary by using the adjustment screws on the hinges.

**3** Use the Screw (A) to install the Handle (B) on the Door.



# Pre-Installed Replacement Parts List

Part	Included Qty.
 Hinge-Overlay	4

Part	Included Qty.
 Ø4X14mm White	16