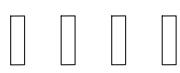
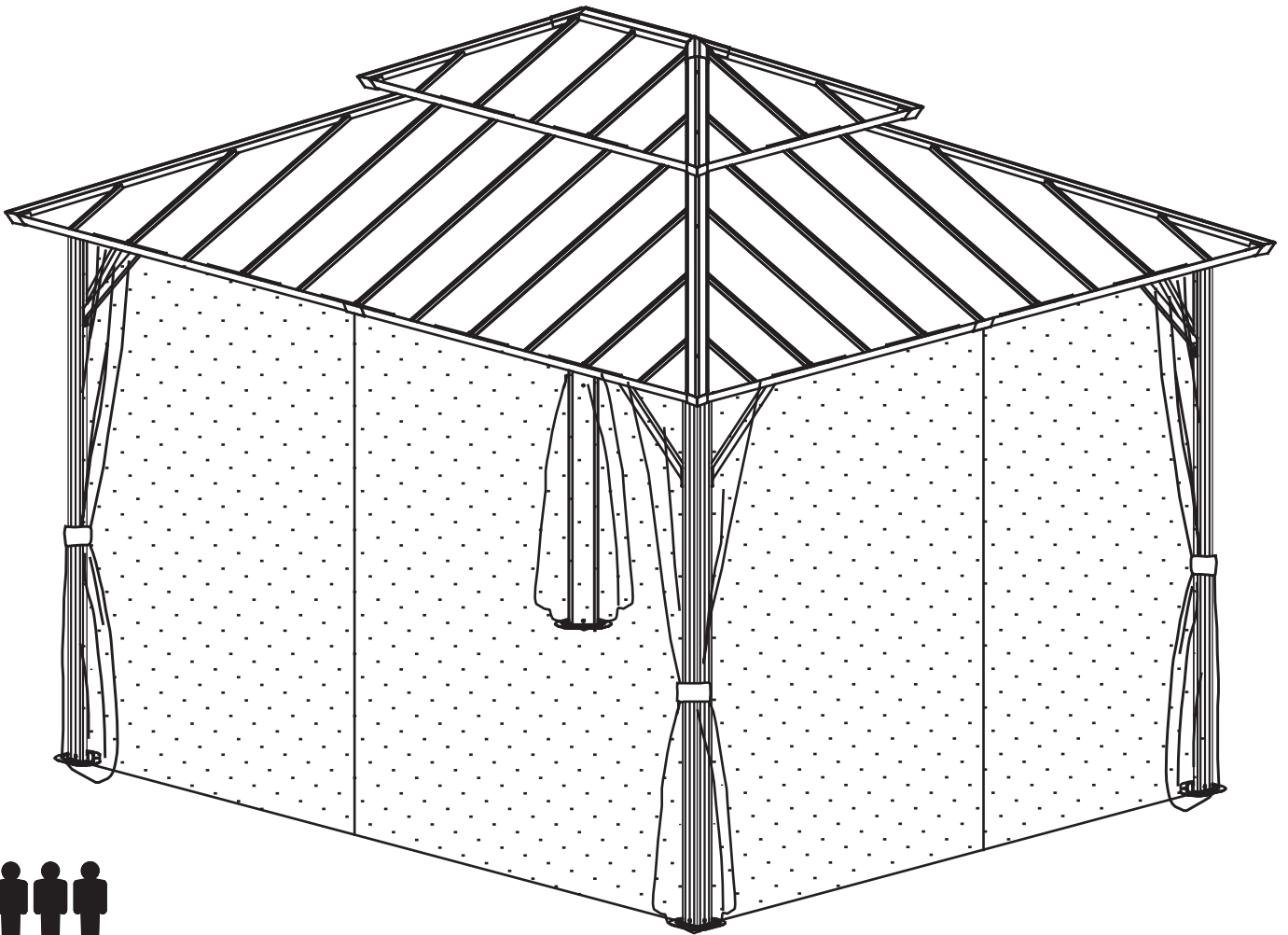
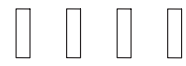


# 10 x 12 FT



## WQG-028-4



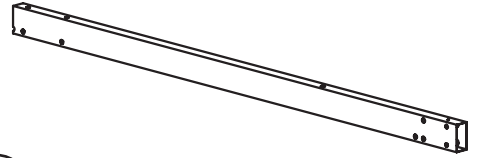
Need at least three people to work together

### REQUIRED TOOLS

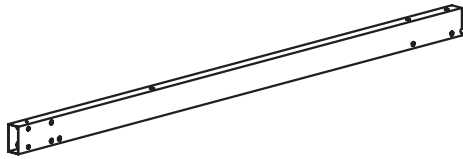




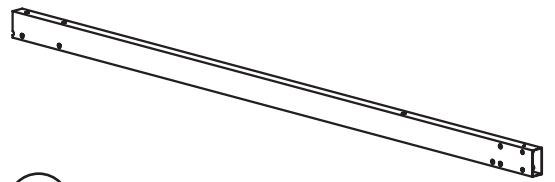
(A2) 4x



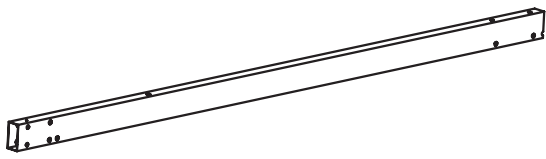
(B3) 2x



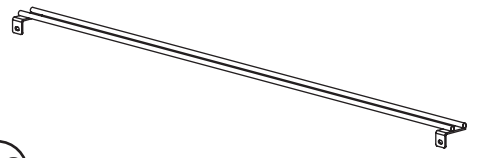
(B4) 2x



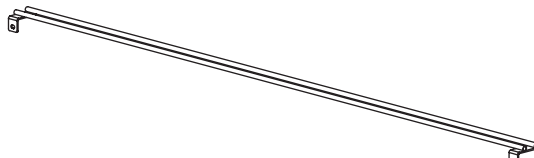
(B5) 2x



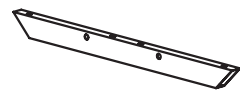
(B6) 2x



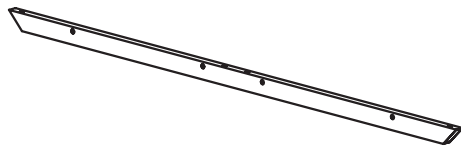
(C2) 4x



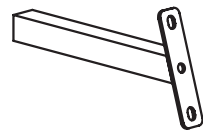
(C3) 4x



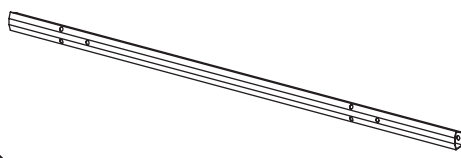
(D1) 2x



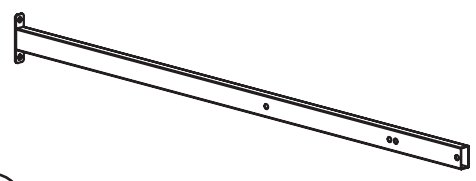
(D2) 2x



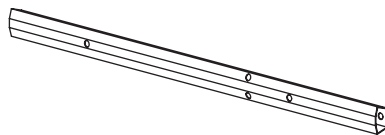
(D7) 4x



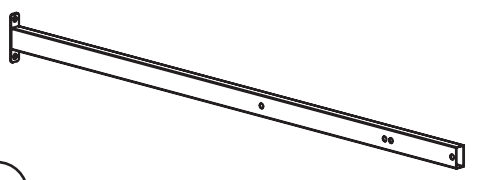
(E1) 4x



(E2) 2x



(E3) 4x



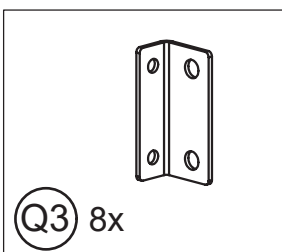
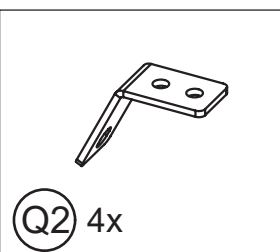
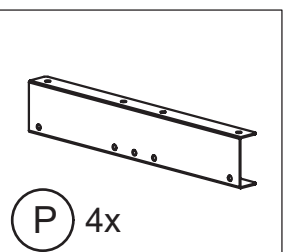
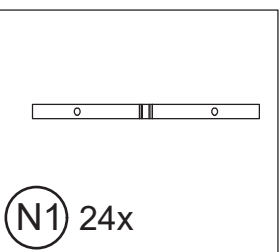
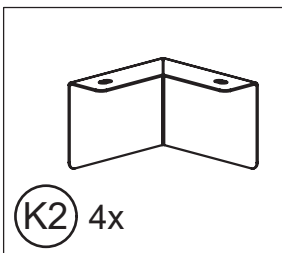
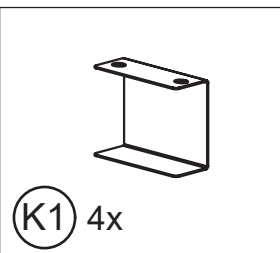
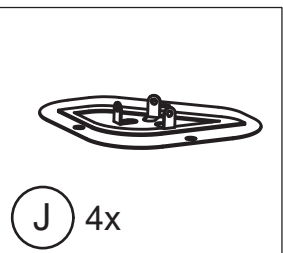
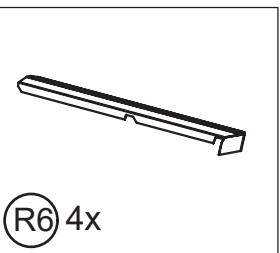
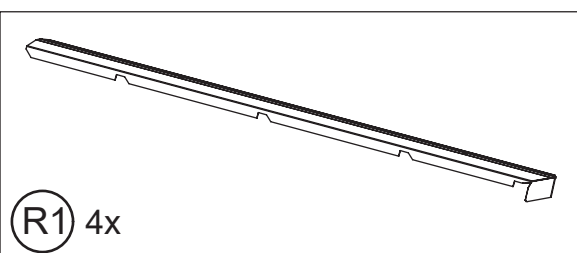
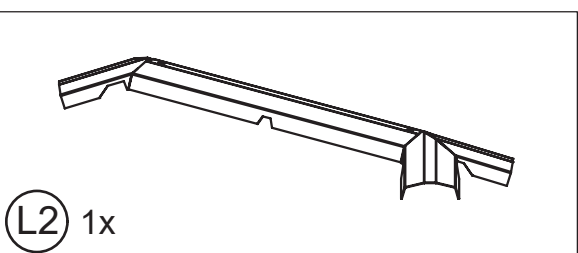
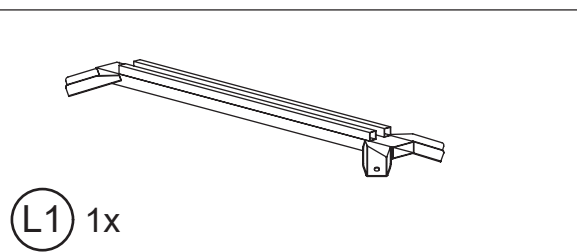
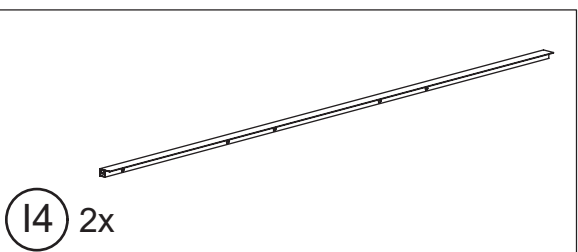
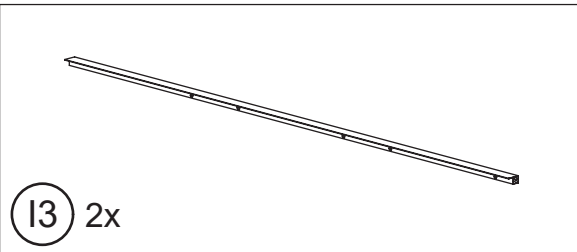
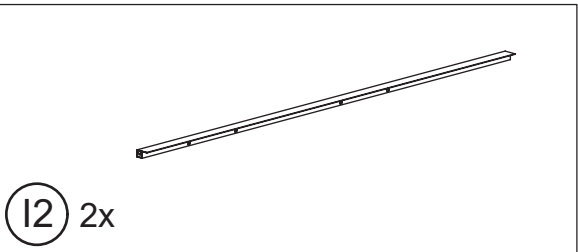
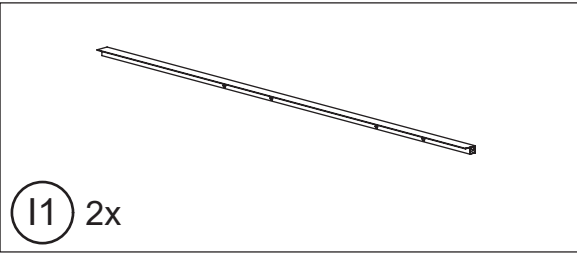
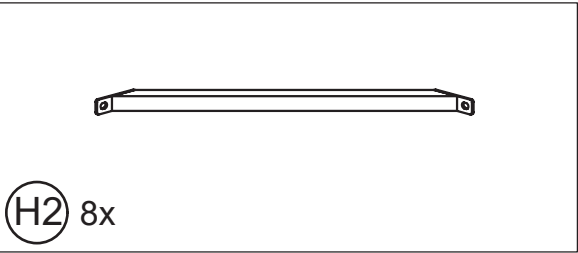
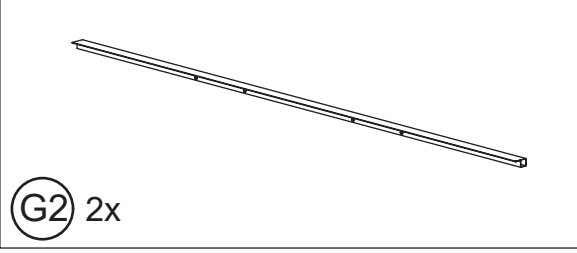
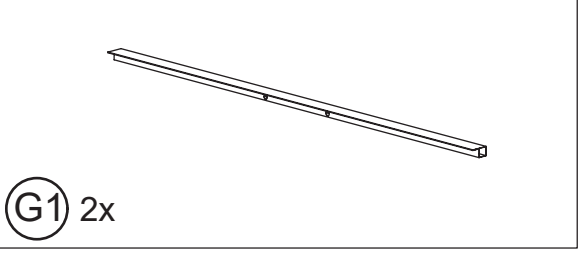
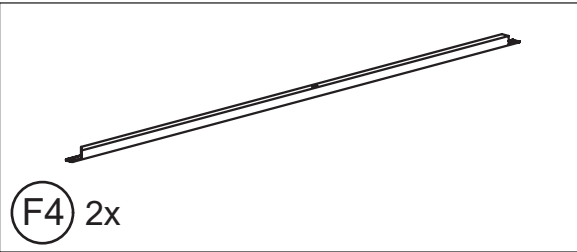
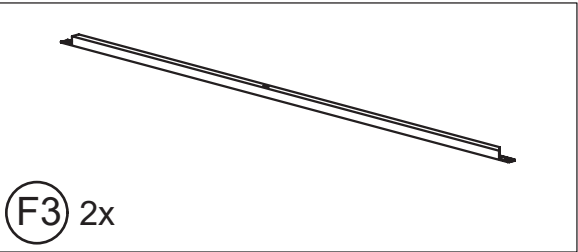
(E14) 2x


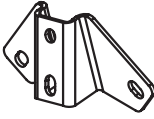


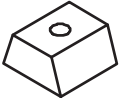


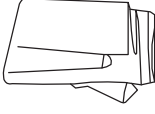
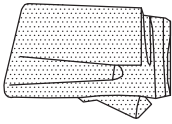
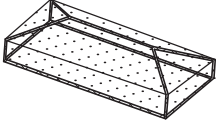







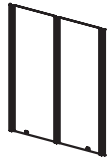













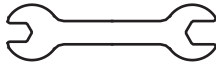


(F1) 2x



(F2) 2x



 W2 4x	 W3 4x	 W4 4x	 W5 8x
 Y 10x	 Y1 88x	 Y2 76x	 M1 4x
 M2 4x	 M3 1x	 O1 4x	 O2 4x
 O3 4x	 O4 4x	 O5 6x	 S1 4x
 S2 4x	 S3 2x	 M6x15 1 298x	 M5x15 2 16x
 M6x12 3 2x	 ST4.8x12 4 8x	 M6x25 6 2x	 7 1x
 8 16x	 M6x40 9 24x	 10 12x	 M6x60 11 2x
 12 8x	 4mm 13 1x	 4mm 15 1x	 16 1x

<1>

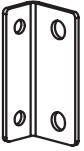
A2 4x



J 4x



Q3 8x



1 12x

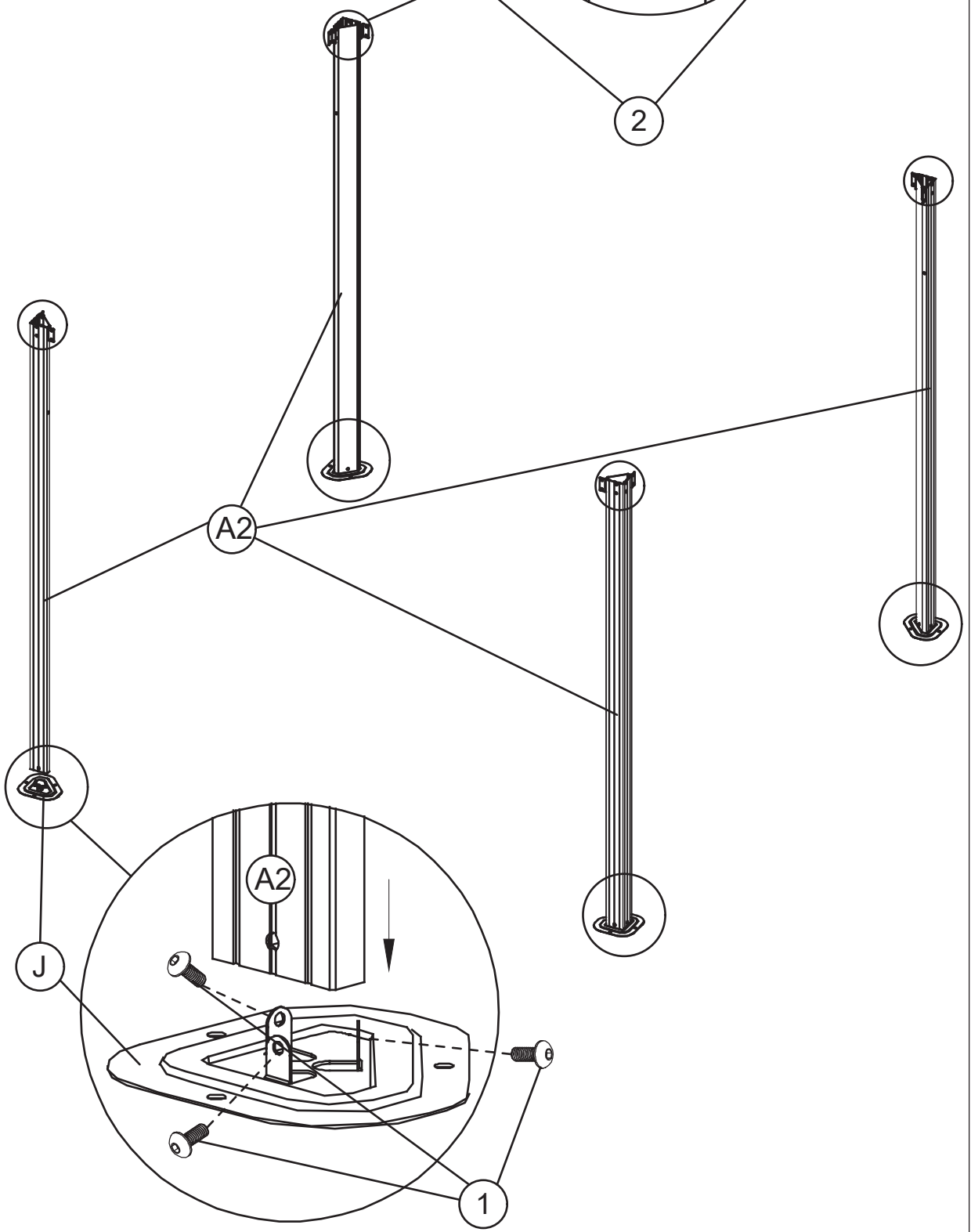
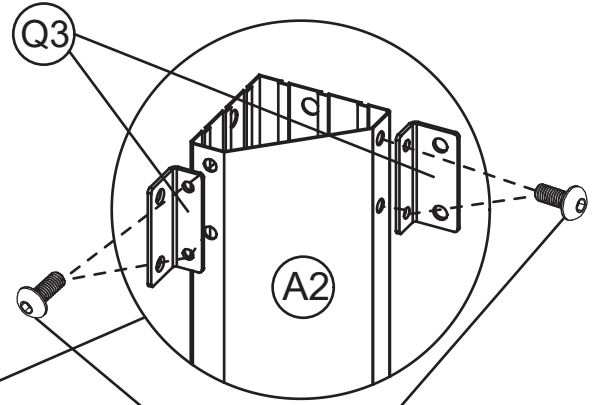


M6x15

2 16x



M5x15



<2>



(B3) 2x



(B4) 2x



(B5) 2x



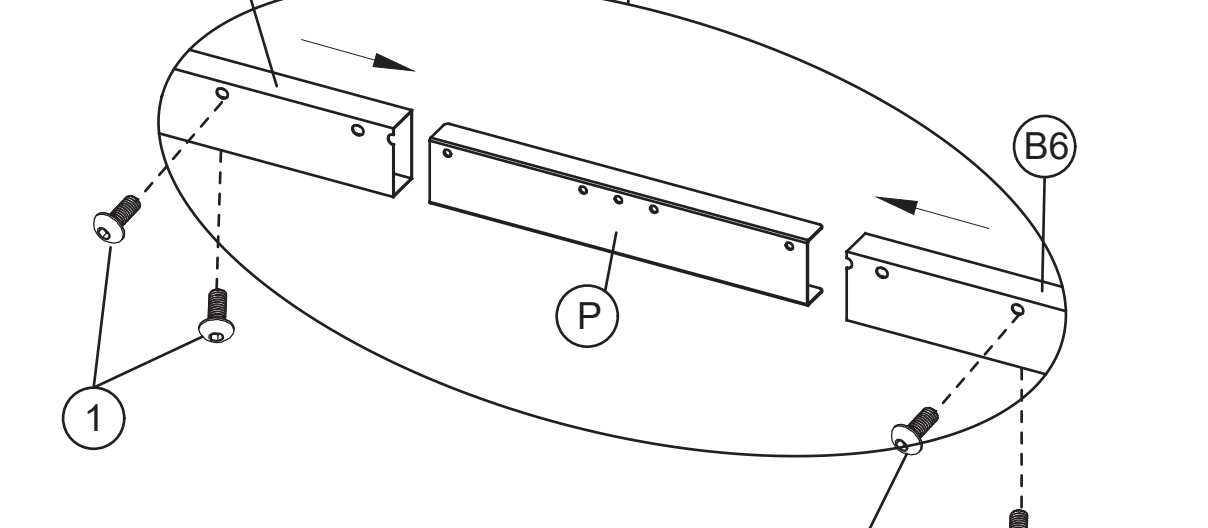
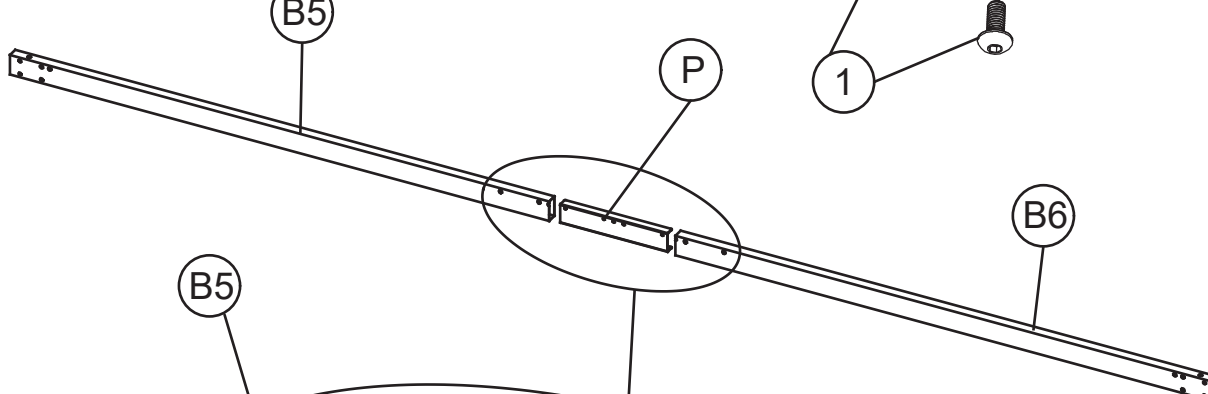
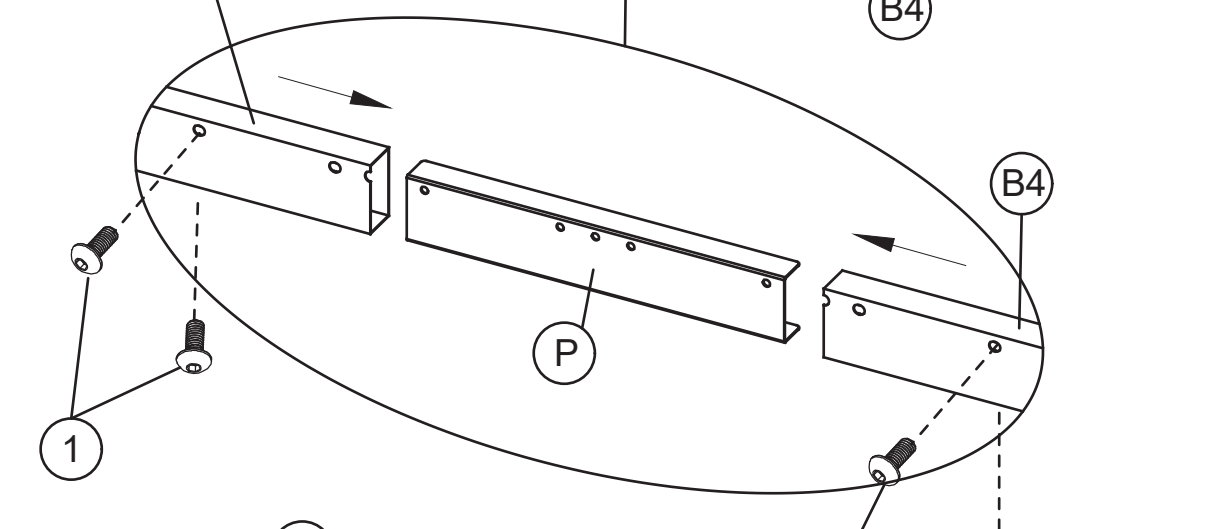
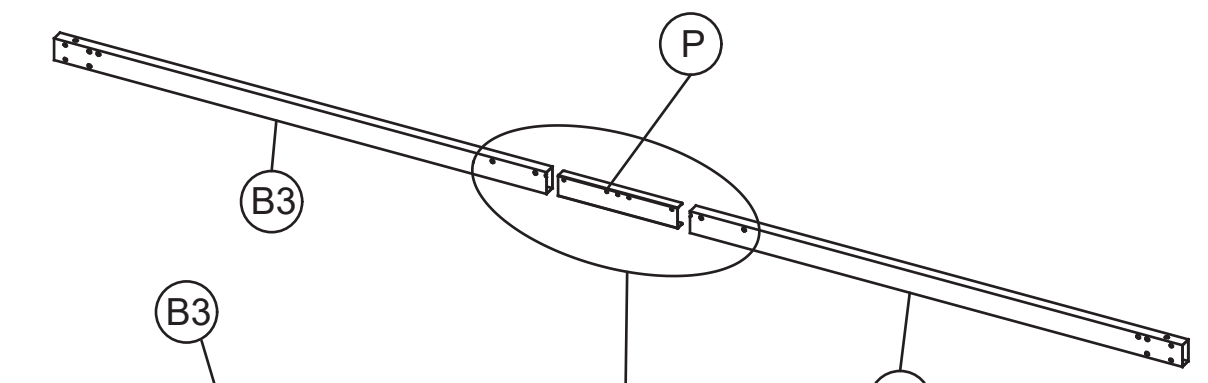
(B6) 2x



(P) 4x



(1) 16x





M6x15

1 16x



8 16x

<3>



7



(H2) 8x



M6x15

(1) 16x

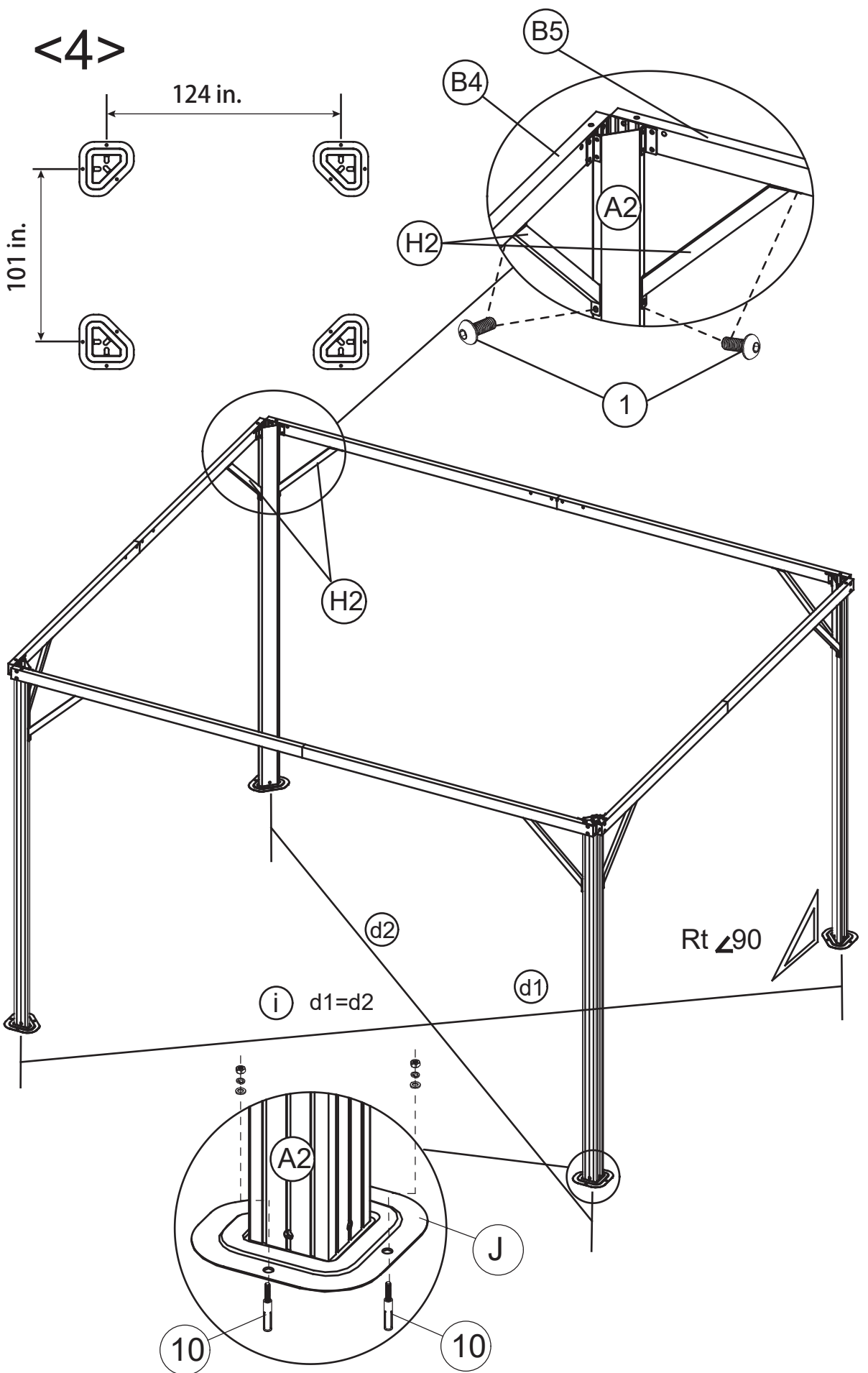


(10) 12x

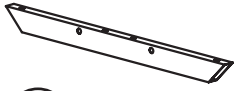
<4>

124 in.

101 in.



Tip: Before proceeding to the next step, measure to ensure that  $d_1$  is equal to  $d_2$  to achieve a square frame and the best results. If they are not equal, loosen the H2 screws and adjust accordingly. Keep the beam perpendicular to the post, the post perpendicular to the ground, and ensure the beam remains level.



(D1) 2x



(D2) 2x



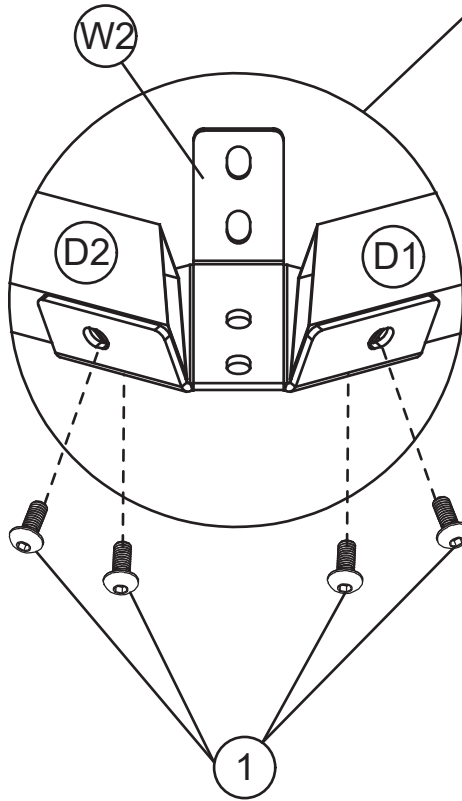
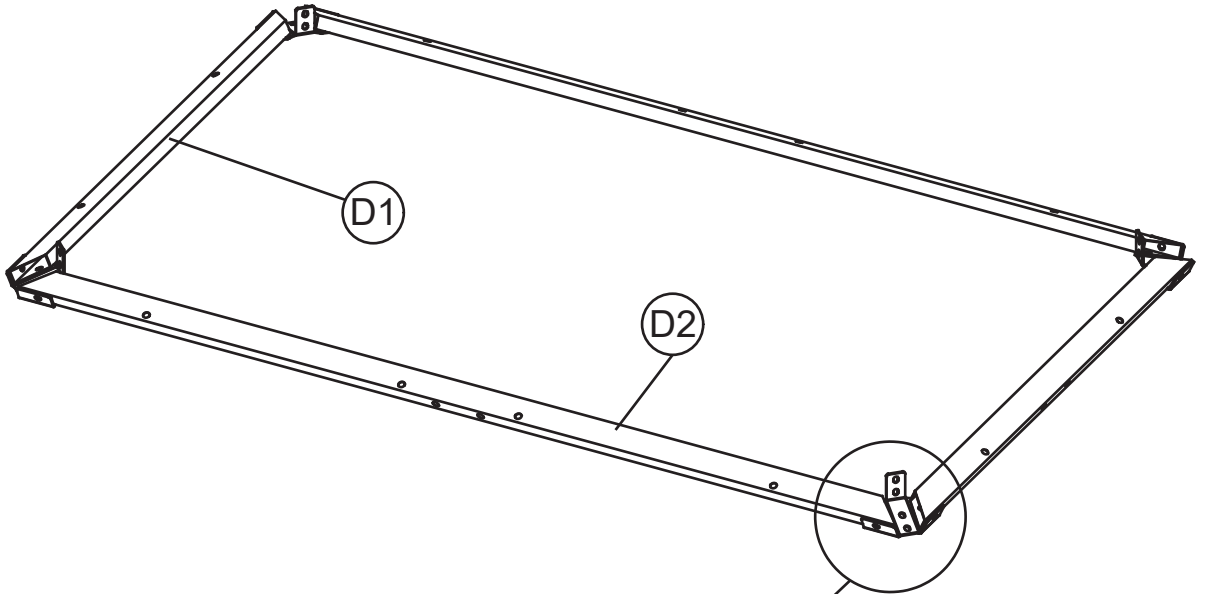
(W2) 4x



M6x15

(1) 16x

<5>



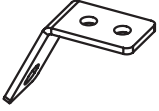
<6>



E2 2x



E14 2x



Q2 4x

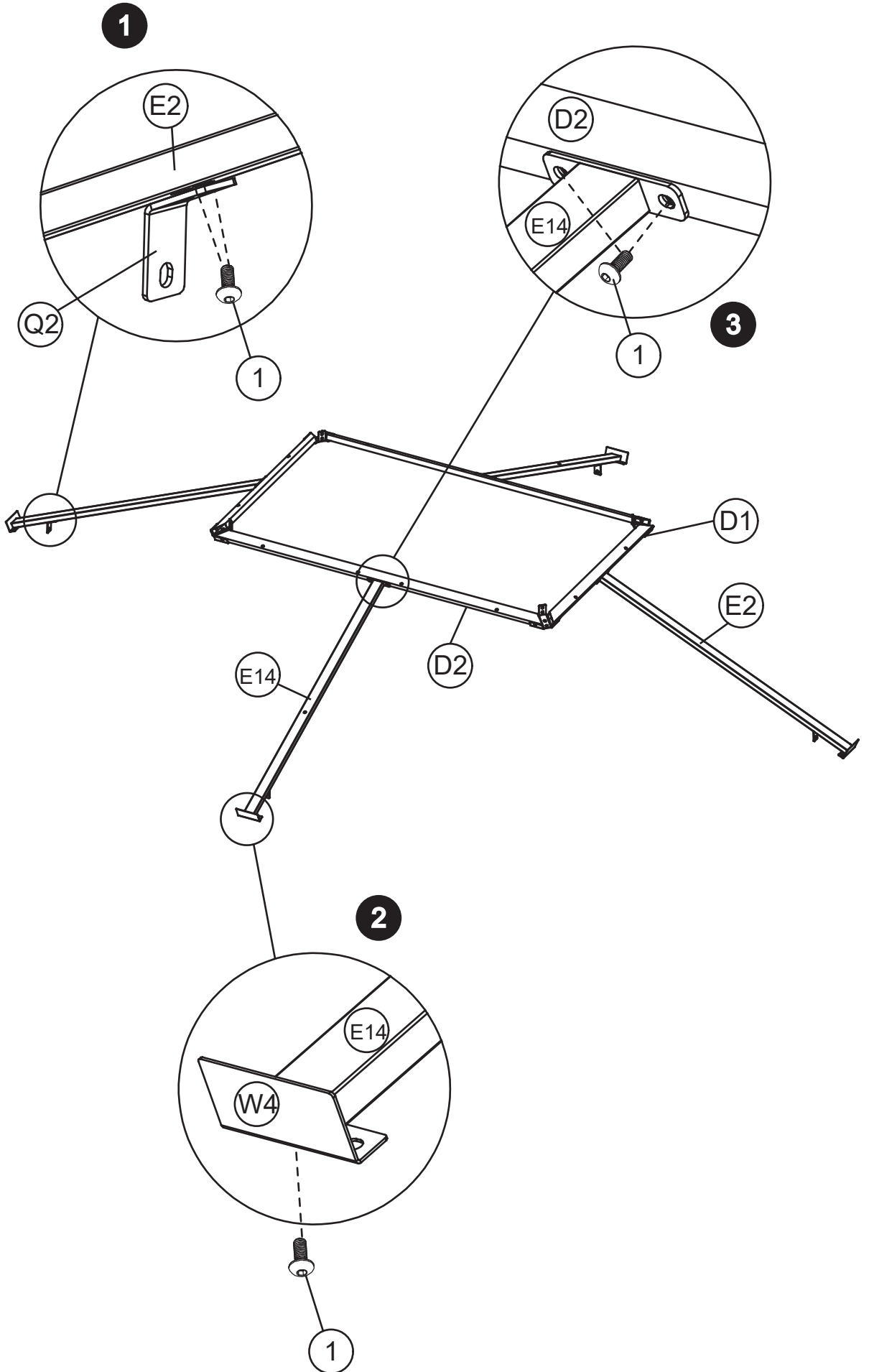


W4 4x



M6x15

1 20x

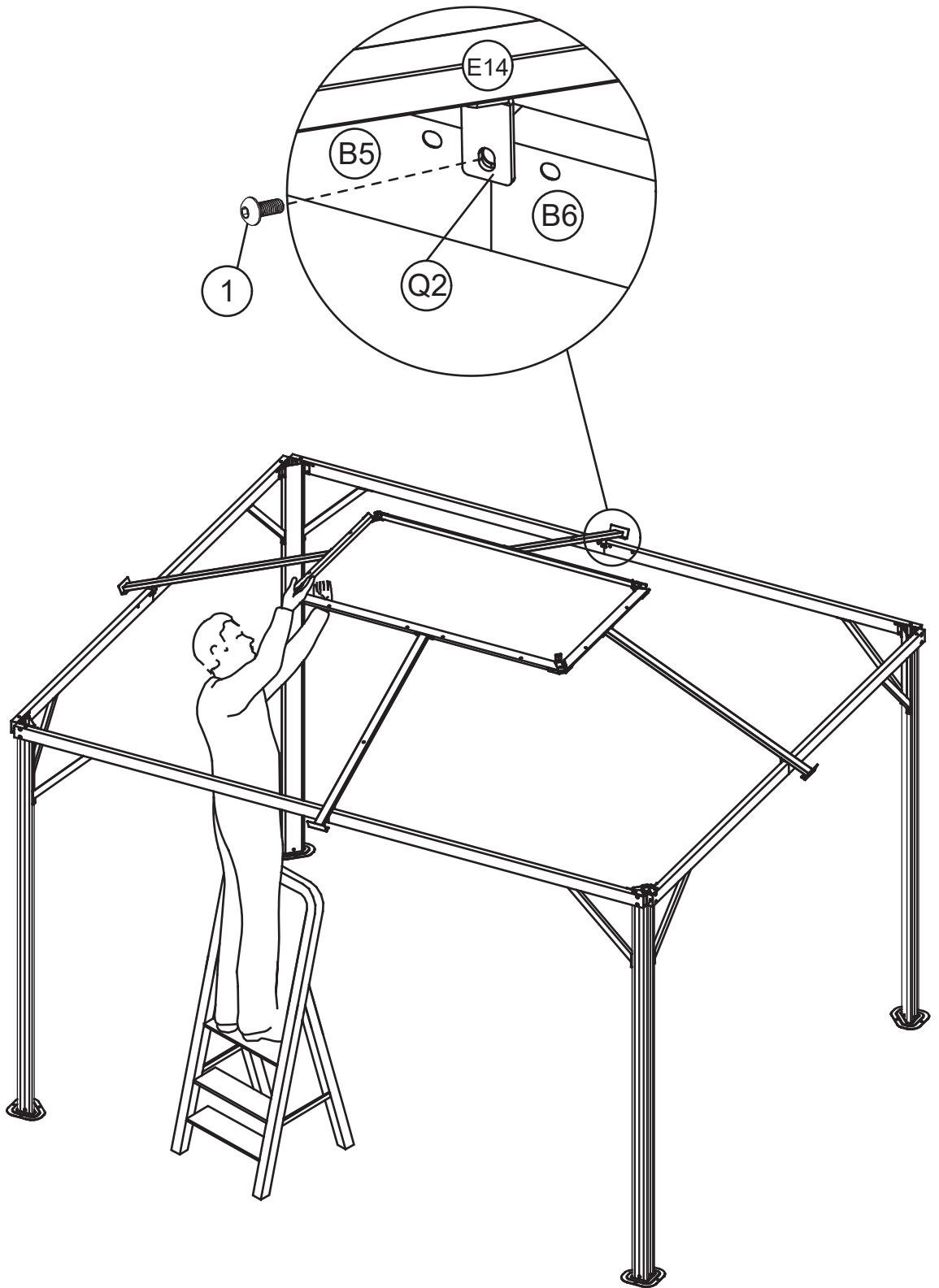




M6x15

1 4x

<7>



1. Have one person stand on the ladder to lift and hold D1 and D2 in place, while the other secure it by fastening the E2 and E14 screws.
2. Do not release D1 and D2 until all E2 and E14 screws are fully tightened.

<8>



C2 4x

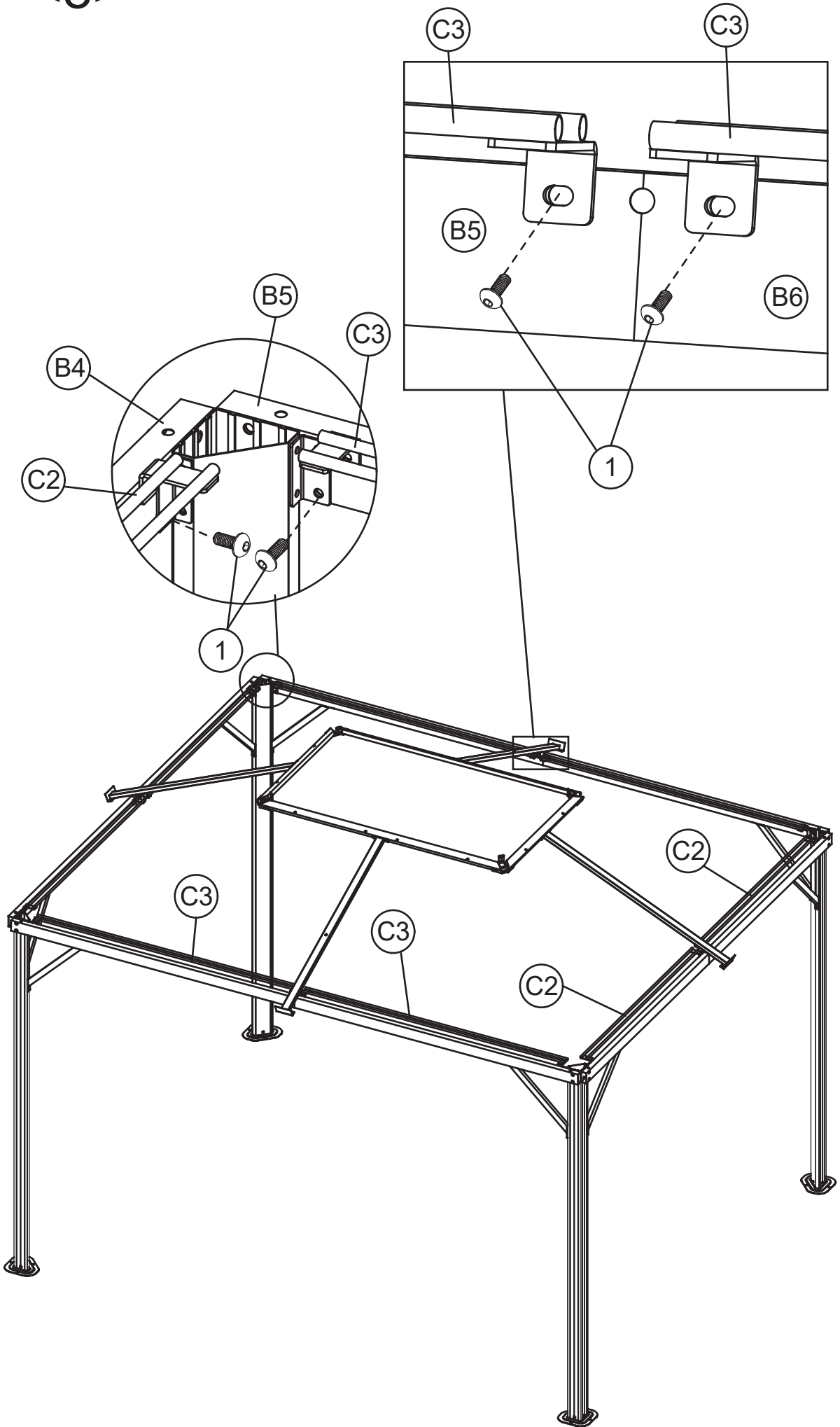


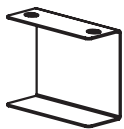
C3 4x



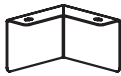
M6x15

1 16x





(K1) 4x



(K2) 4x



M6x15

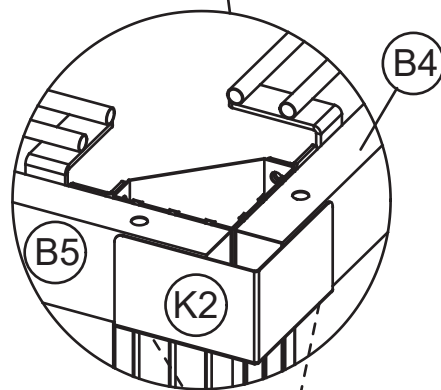
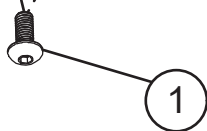
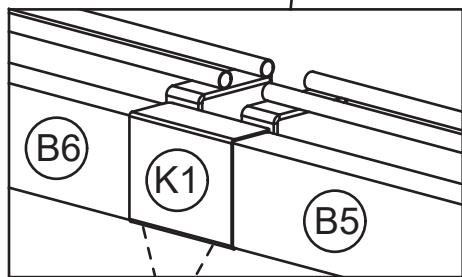
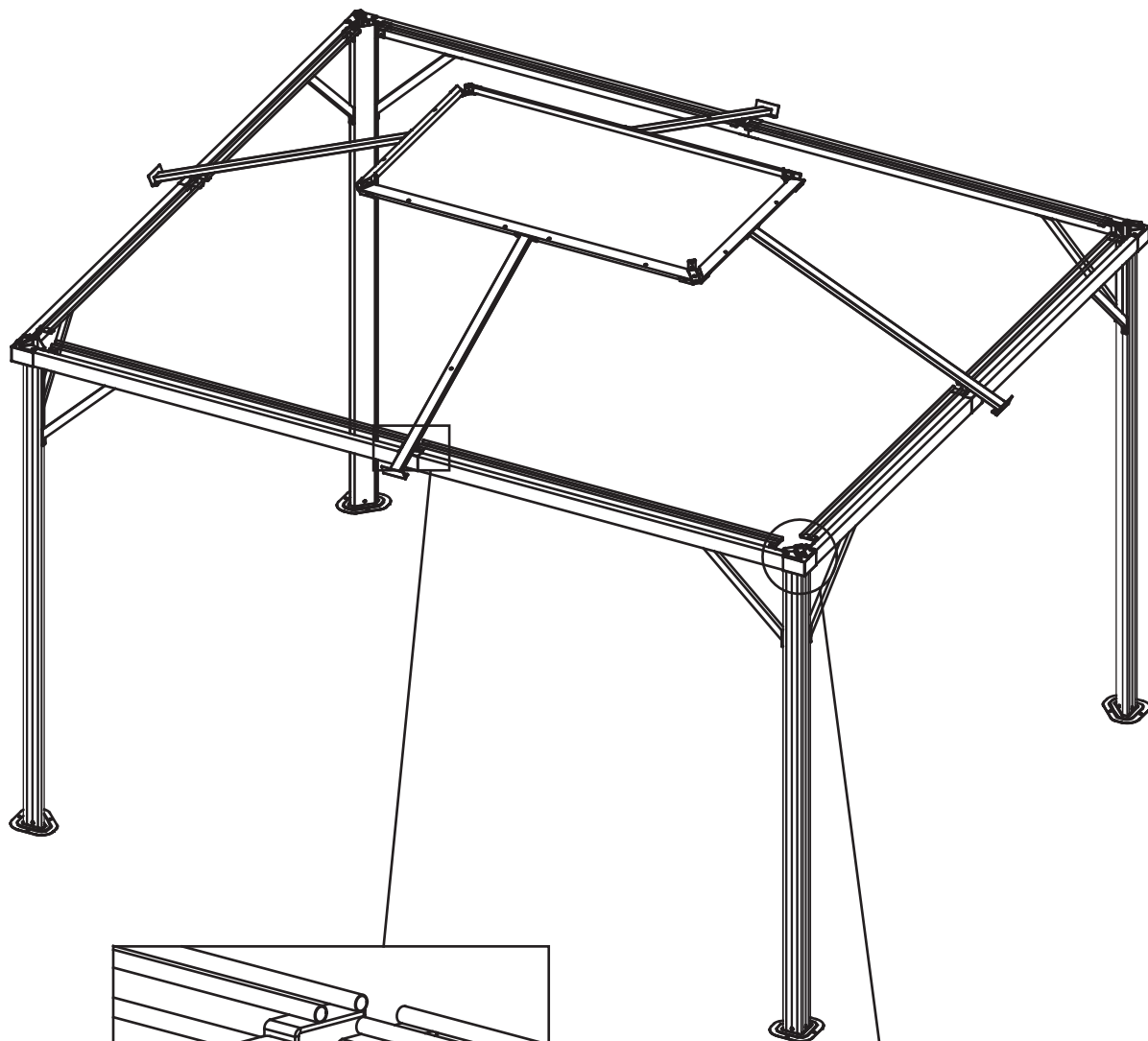
(1) 8x



ST4.8x12

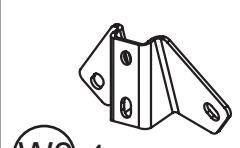
(4) 8x

<9>

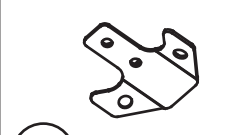




(E1) 4x



(W3) 4x



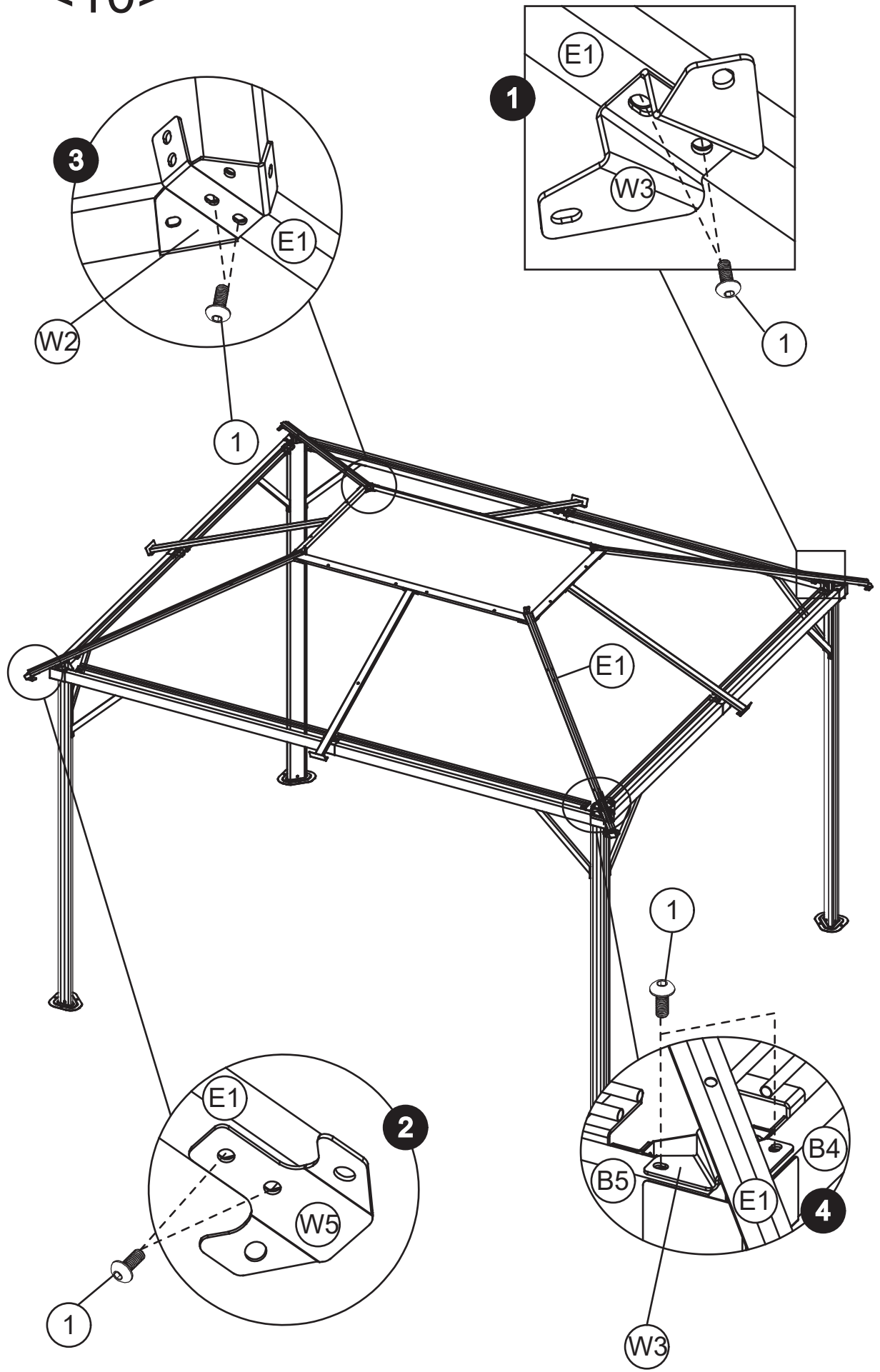
(W5) 4x



M6x15

(1) 32x

# <10>



<11>



(F1) 2x



(F2) 2x



(F3) 2x



(F4) 2x



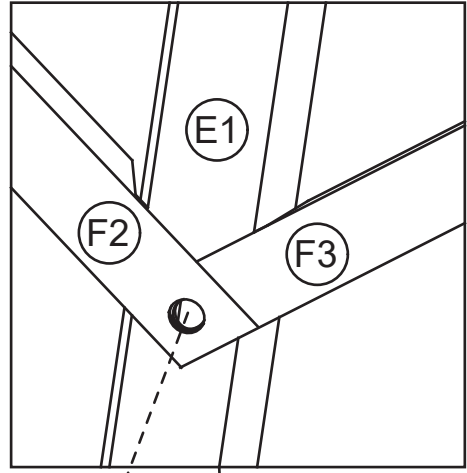
M6x15

(1) 6x

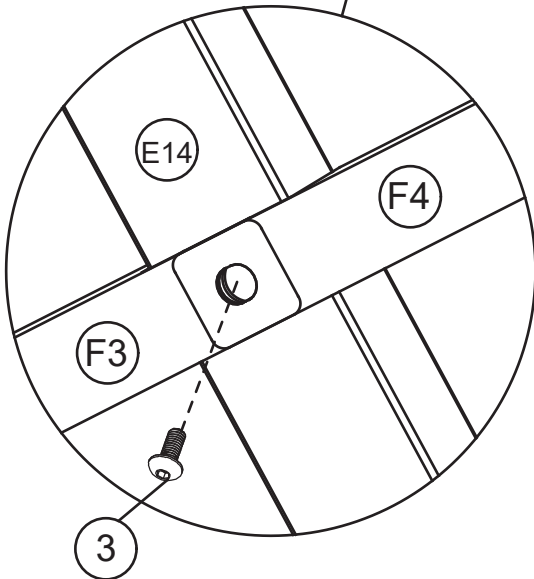
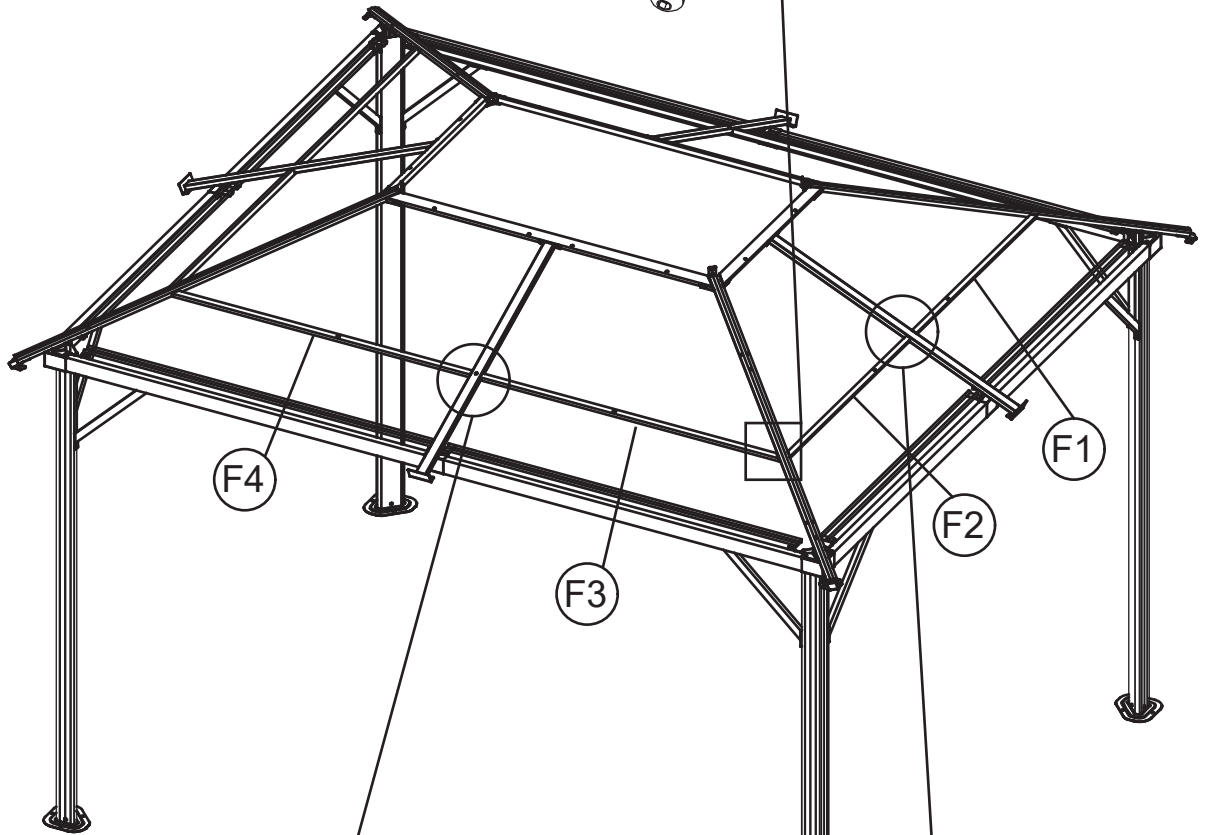


M6x12

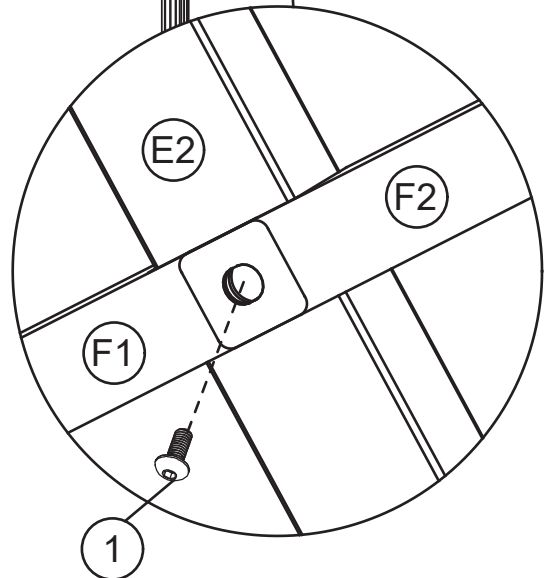
(3) 2x



(1)



(3)



(1)

# <12>



I1 2x



I2 2x



I3 2x

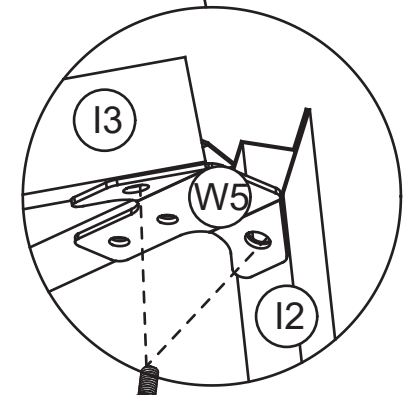
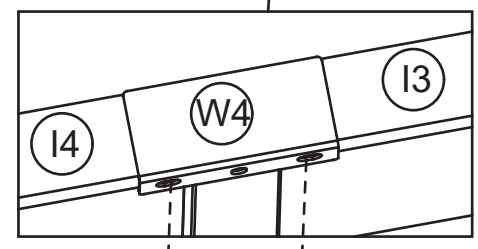
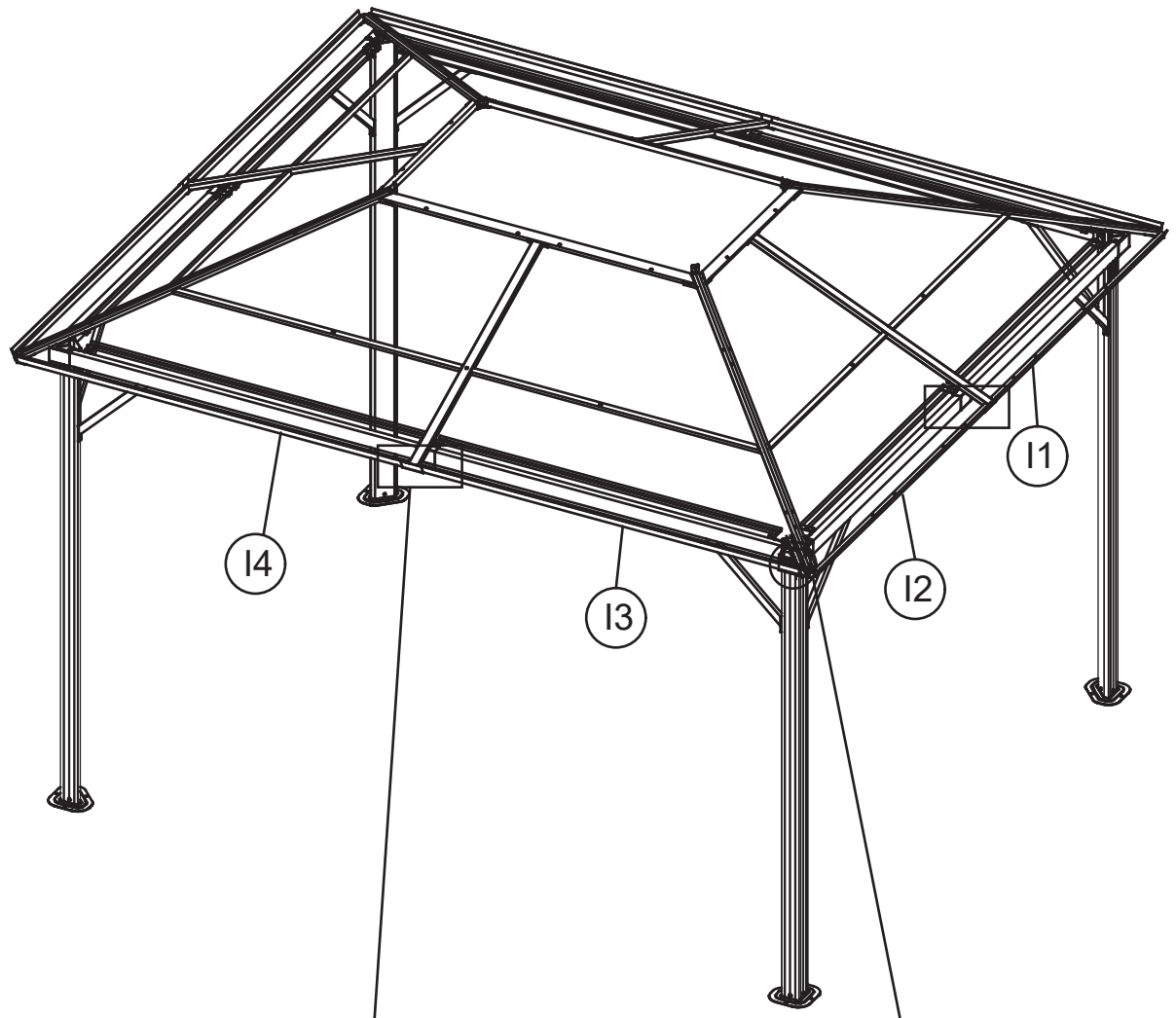


I4 2x

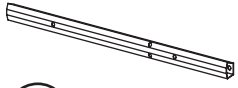


M6x15

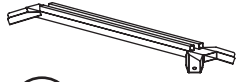
1 16x



<13>



E3 4x

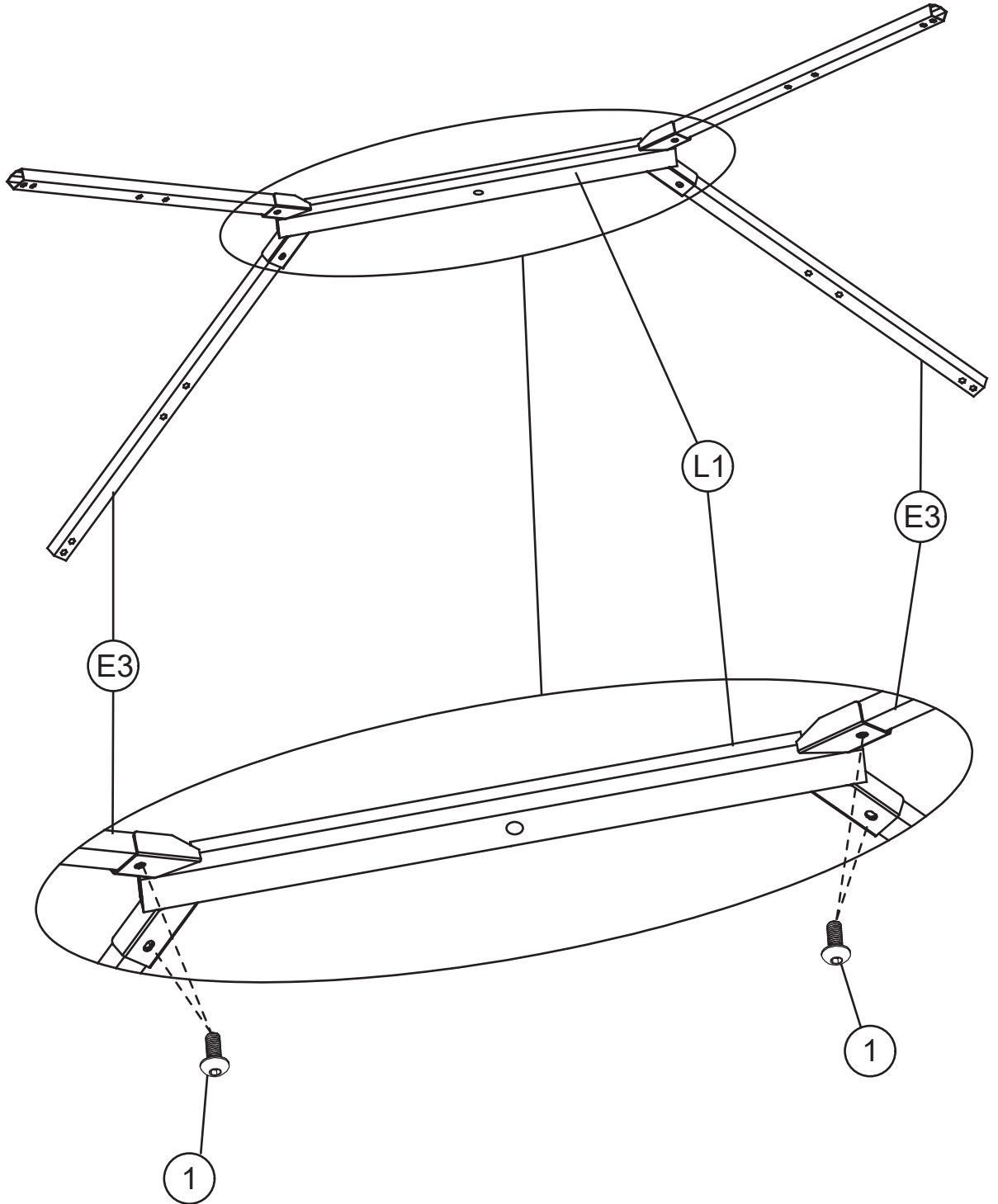


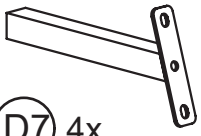
L1 1x



M6x15

1 4x





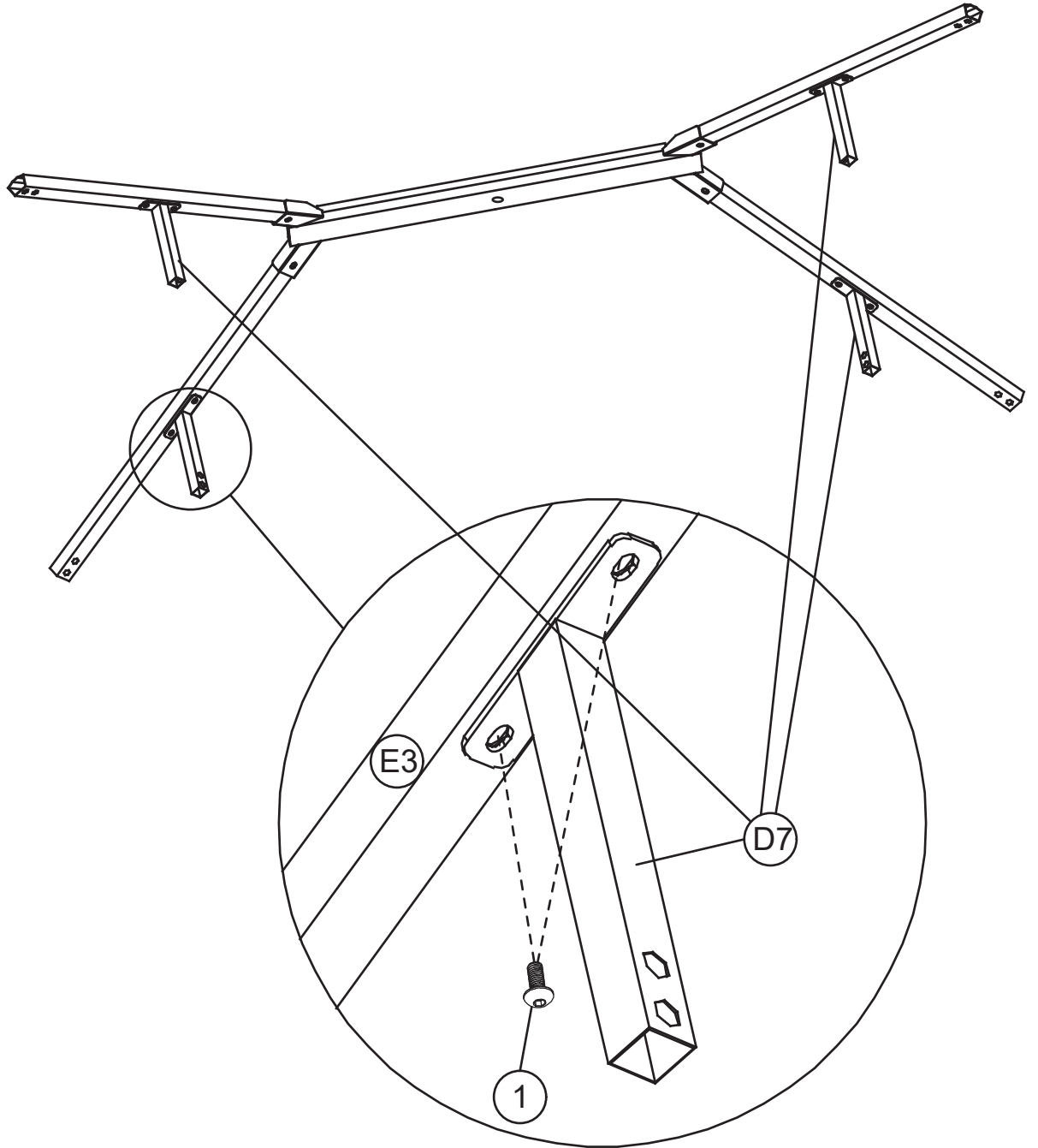
D7 4x



M6x15

1 8x

<14>



<15>



G1 2x



G2 2x

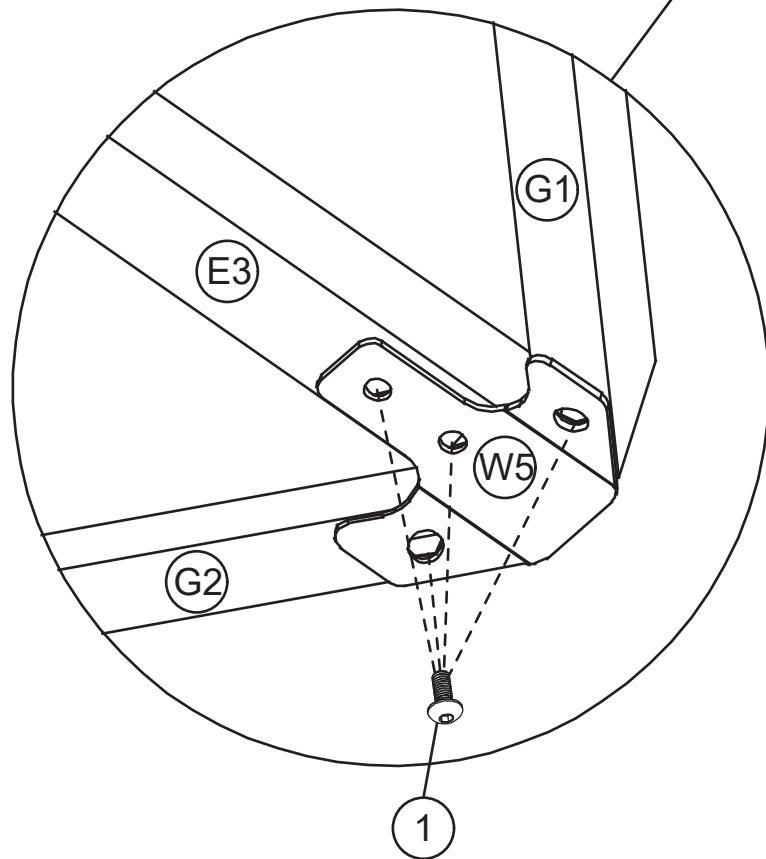
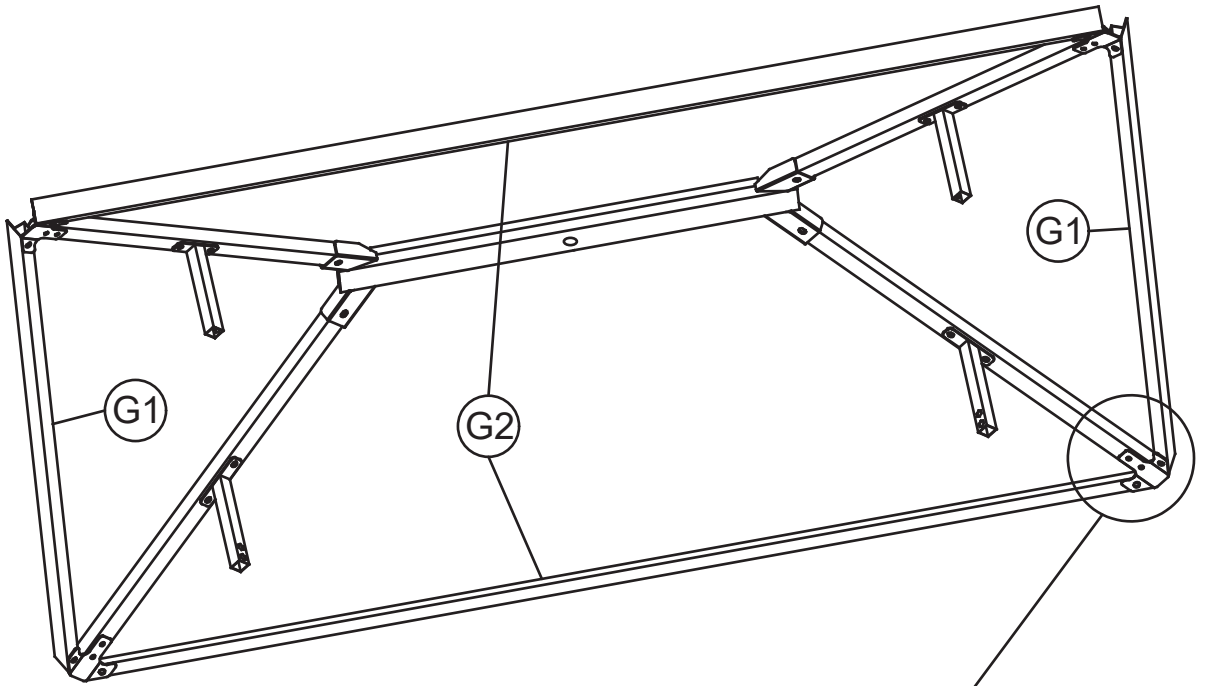


W5 4x



M6x15

1 16x

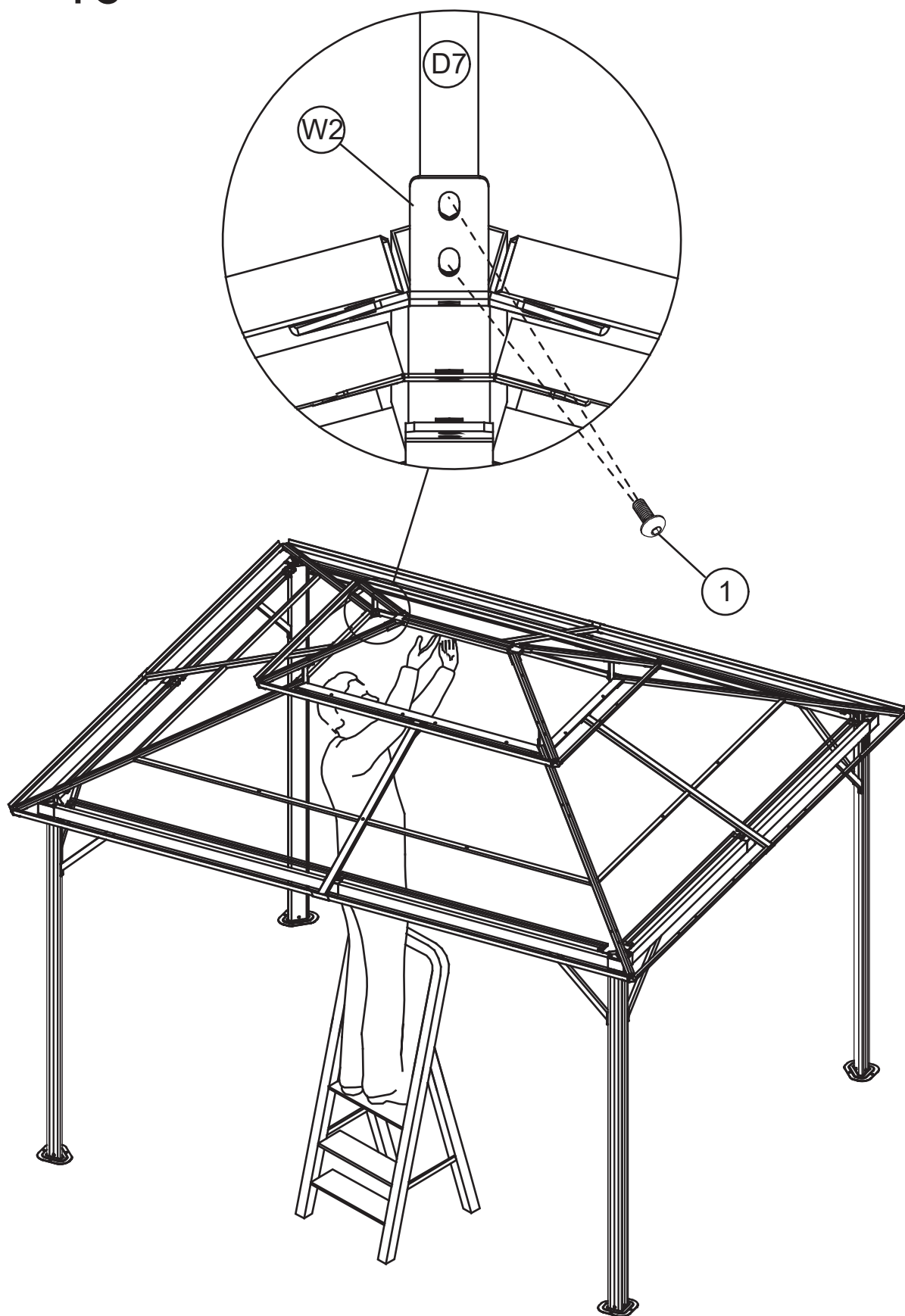




M6x15

1 8x

<16>



1. Have one person stand on the ladder to lift and hold L1 in place, while the other secure it by fastening the D7 screws.
2. Do not release L1 until all D7 screws are fully tightened.

<17>

Tips: When install the roof panel ,remove the protective film first.

(S1) 4x

(S2) 4x

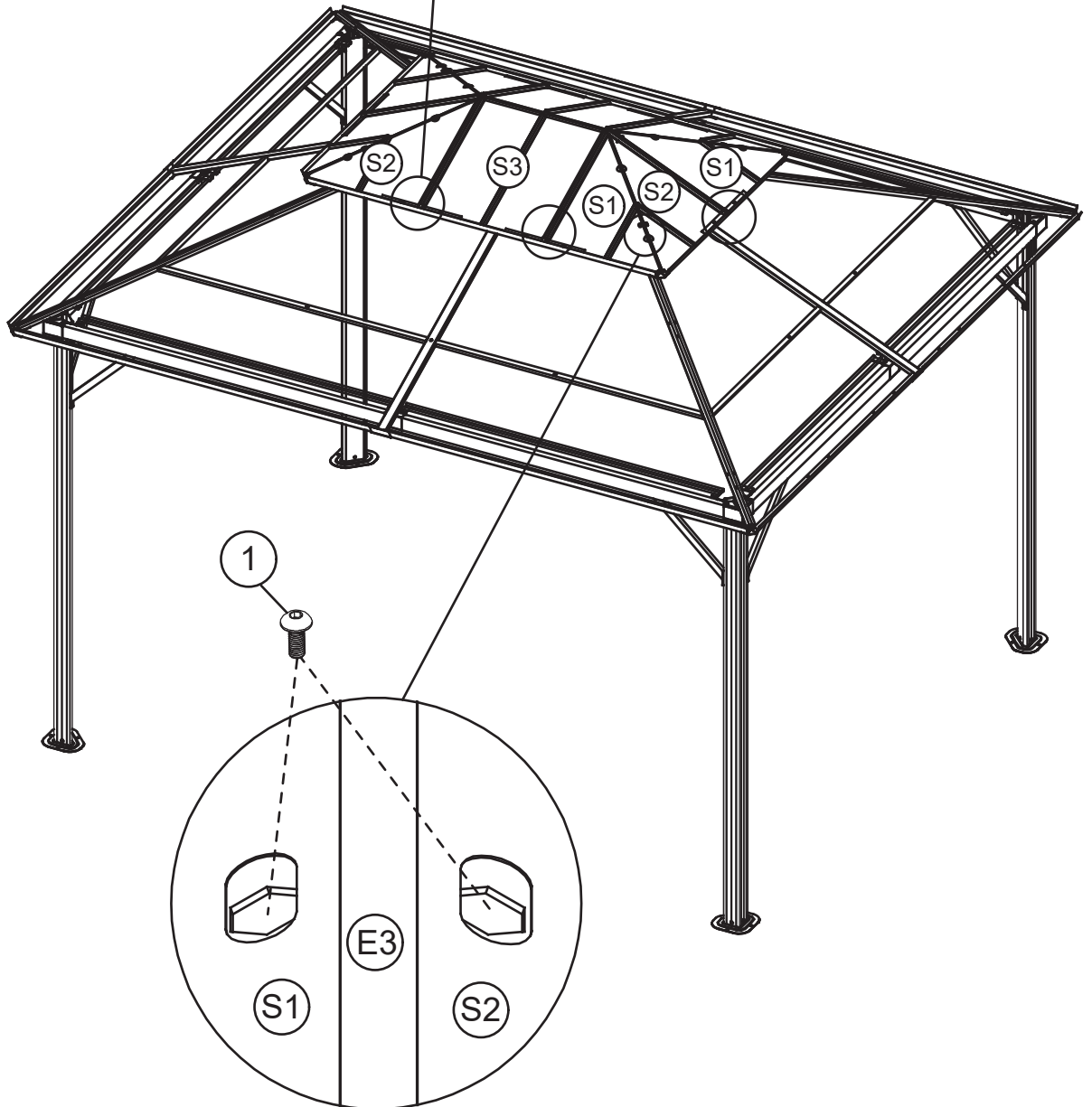
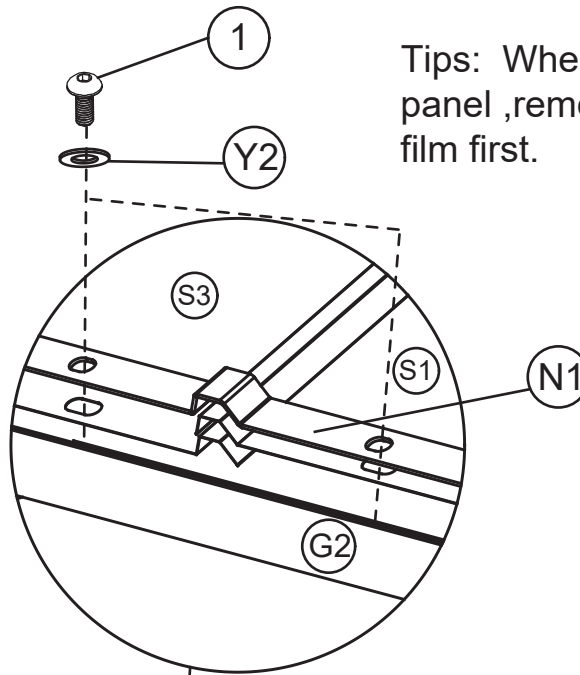
(S3) 2x

(N1) 6x

(Y2) 12x

M6x15

(1) 20x



<18>



(R6) 4x

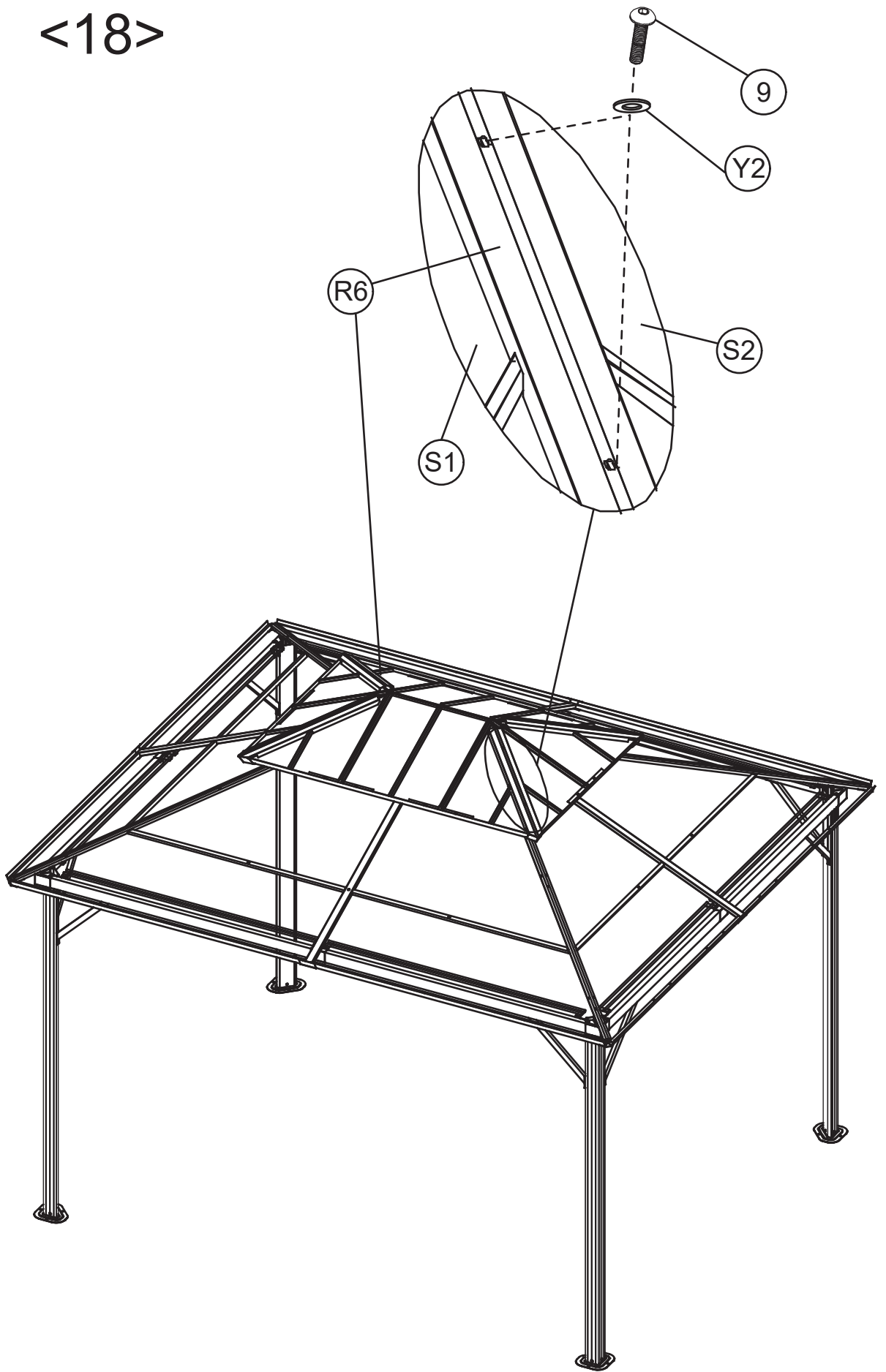


(Y2) 8x



M6x40

(9) 8x



<19>



(L2) 1x

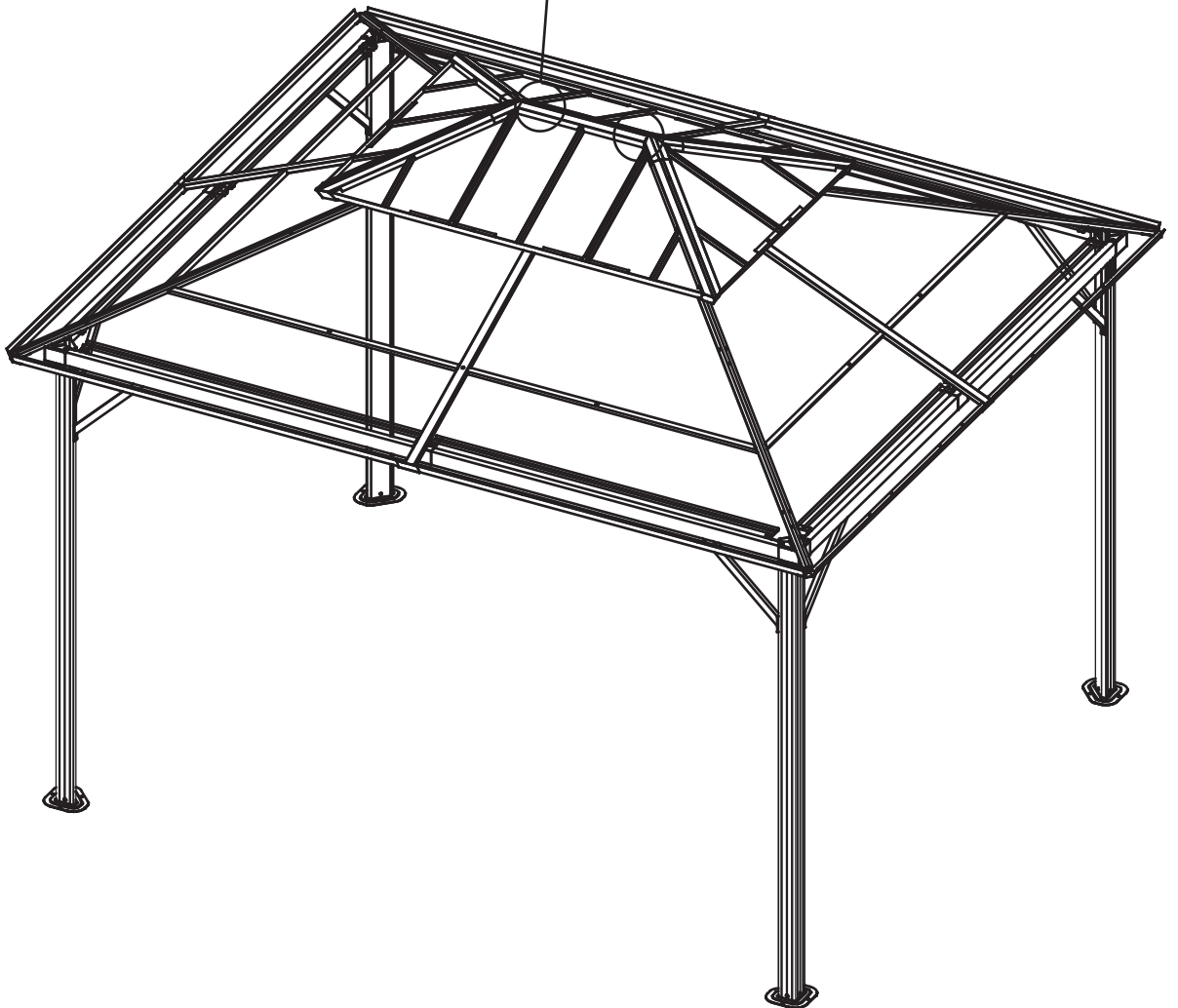
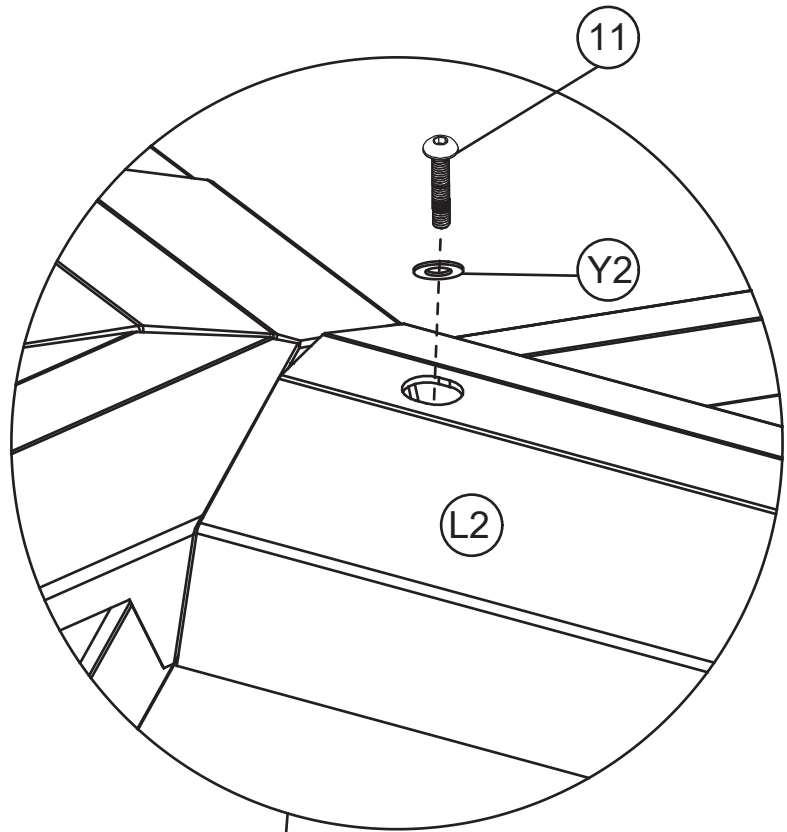














(Y2) 2x



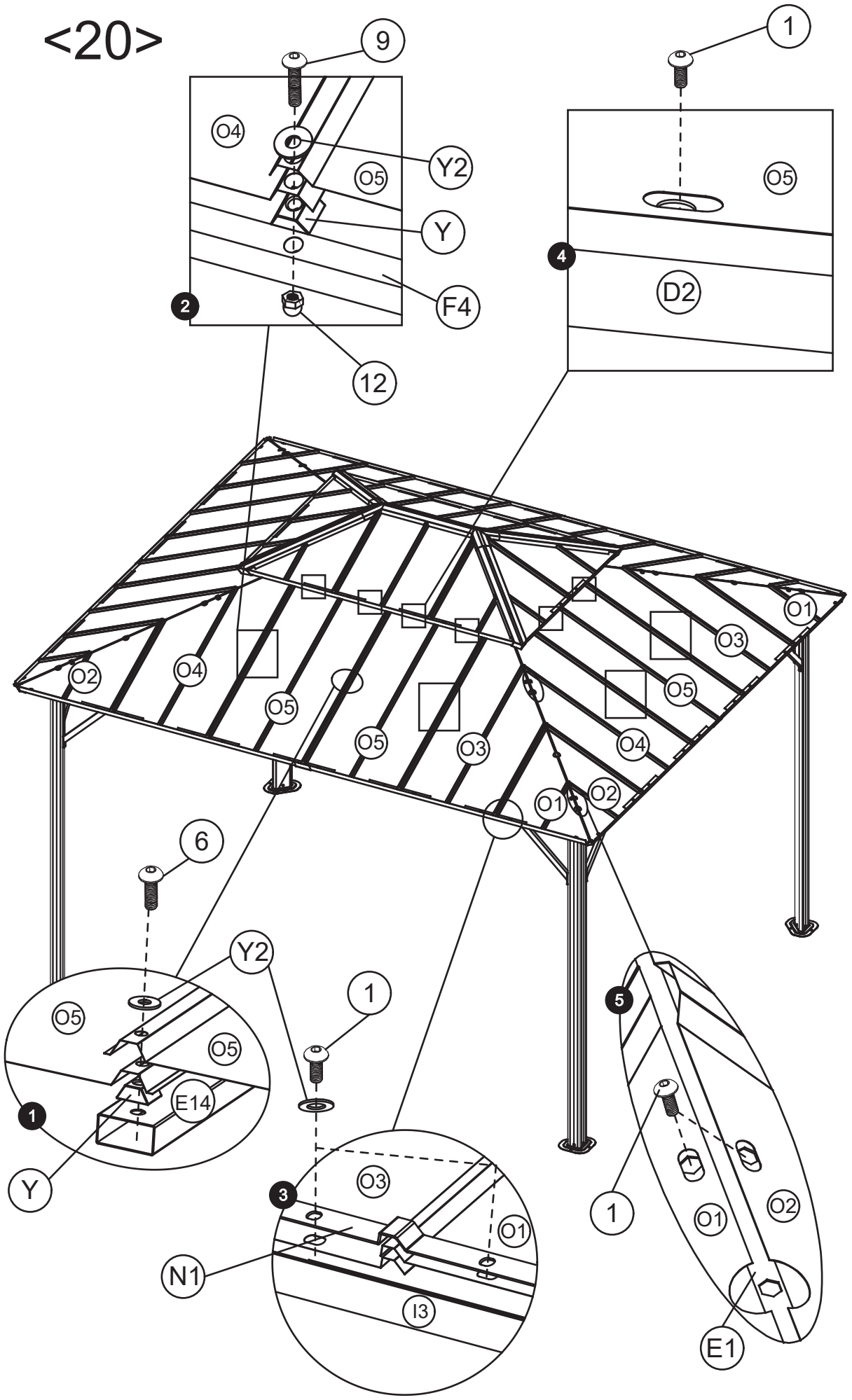
M6x60

(11) 2x



- 
- (N1)** 18x
- (O1)** 4x 
- (O2)** 4x 
- (O3)** 4x 
- (O4)** 4x 
- (O5)** 6x 
- (Y)** 10x 
- (Y2)** 46x 
- (1)** 64x  M6x15
- (6)** 2x  M6x25
- (9)** 8x  M6x40
- (12)** 8x 

<20>



- Tips:**
1. When install the roof panel ,remove the protective film first.
  2. After aligning all tiles(O1.O2.O3.O4.O5),tighten the bolts

<21>



(R1) 4x

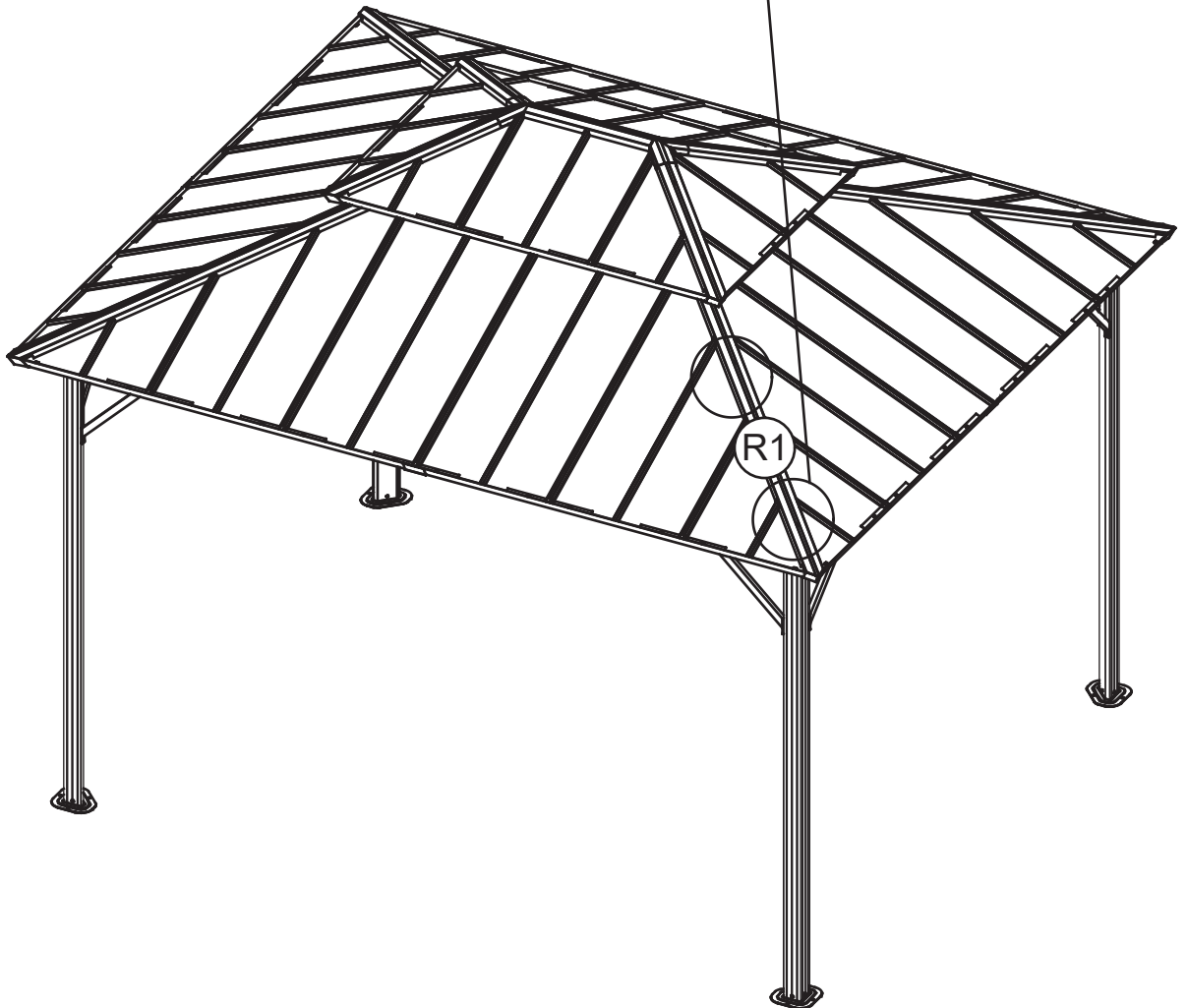
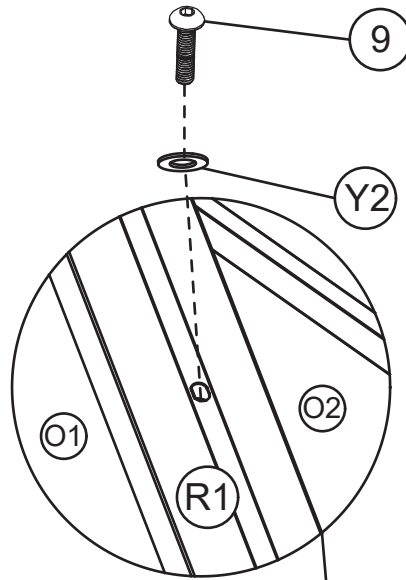


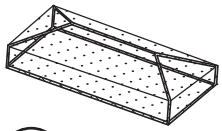
(Y2) 8x



M6x40

(9) 8x





<22>

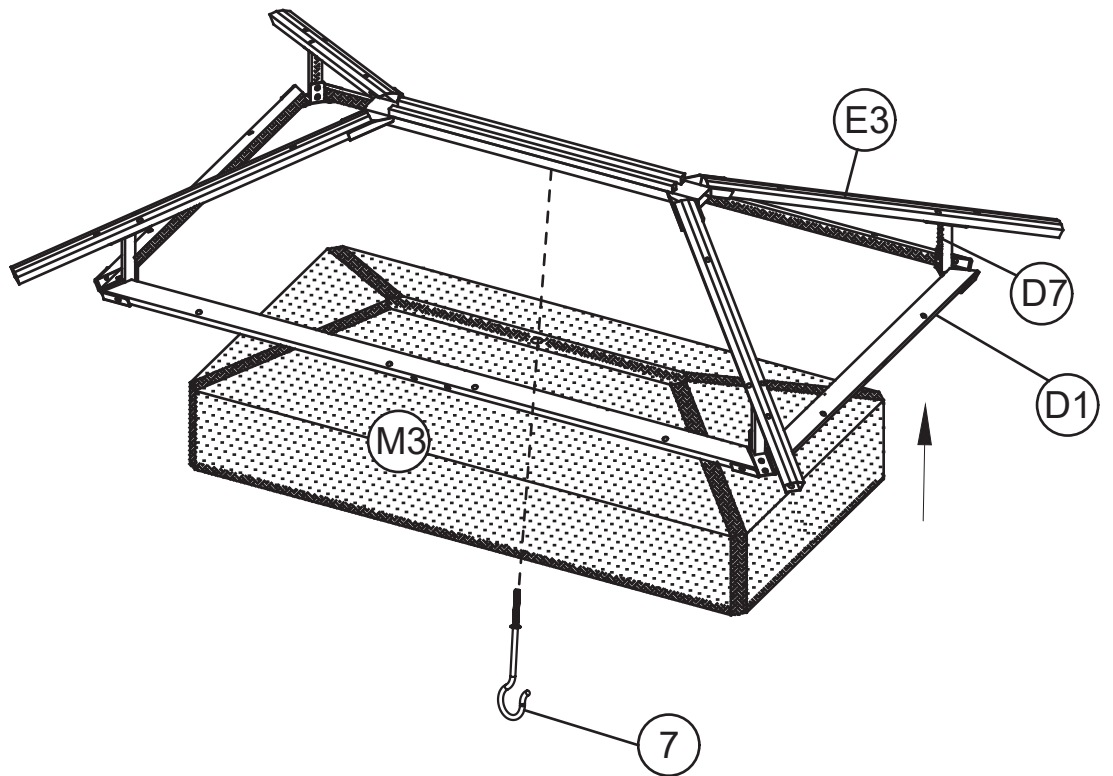
M3 1x



7 1x



Attach the top net cover with velcro.



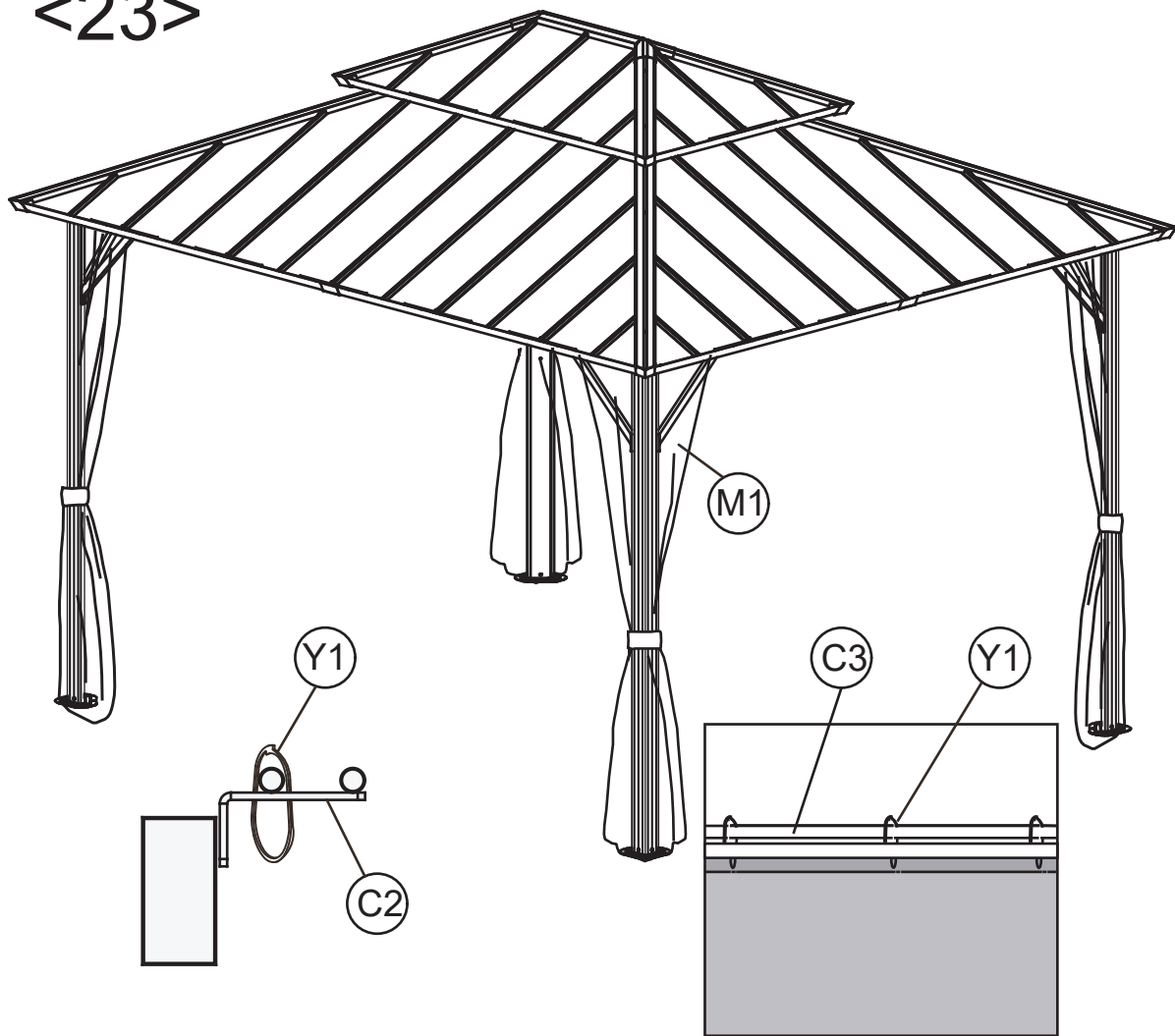


(M1) 4x

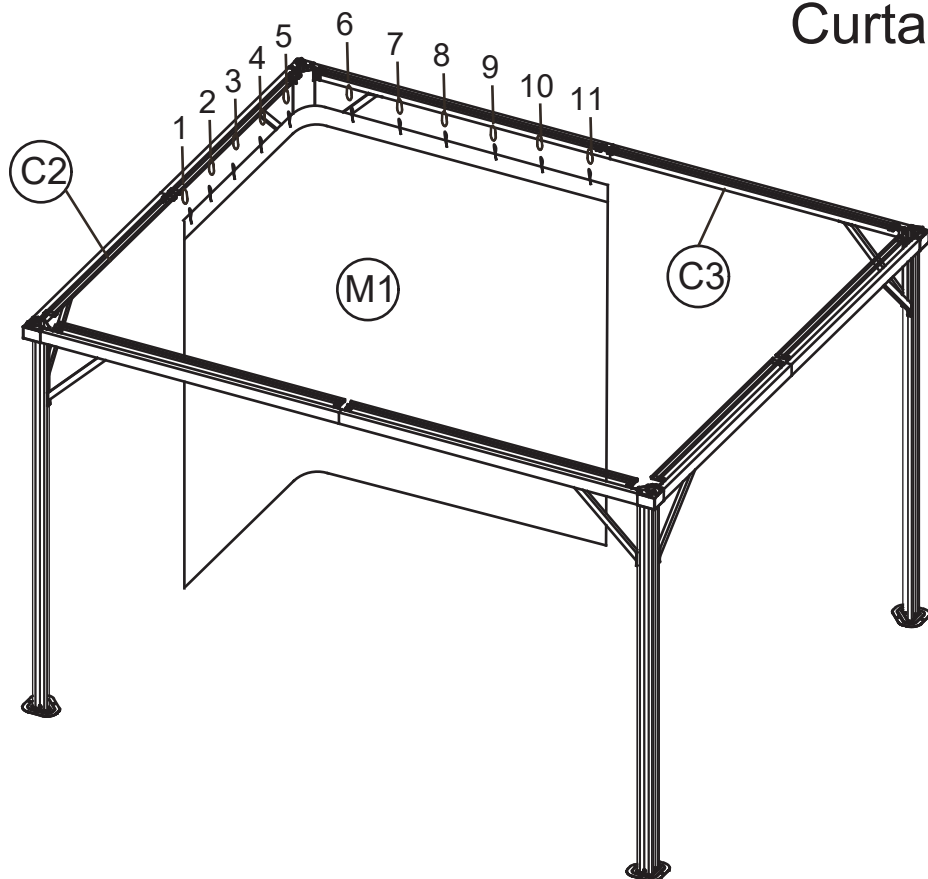


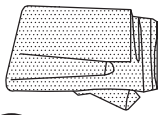
(Y1) 44x

<23>



Curtain



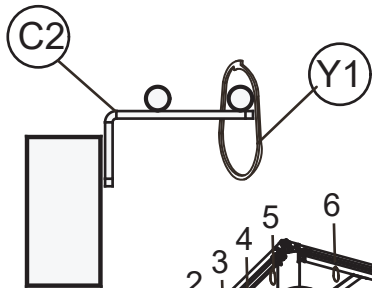
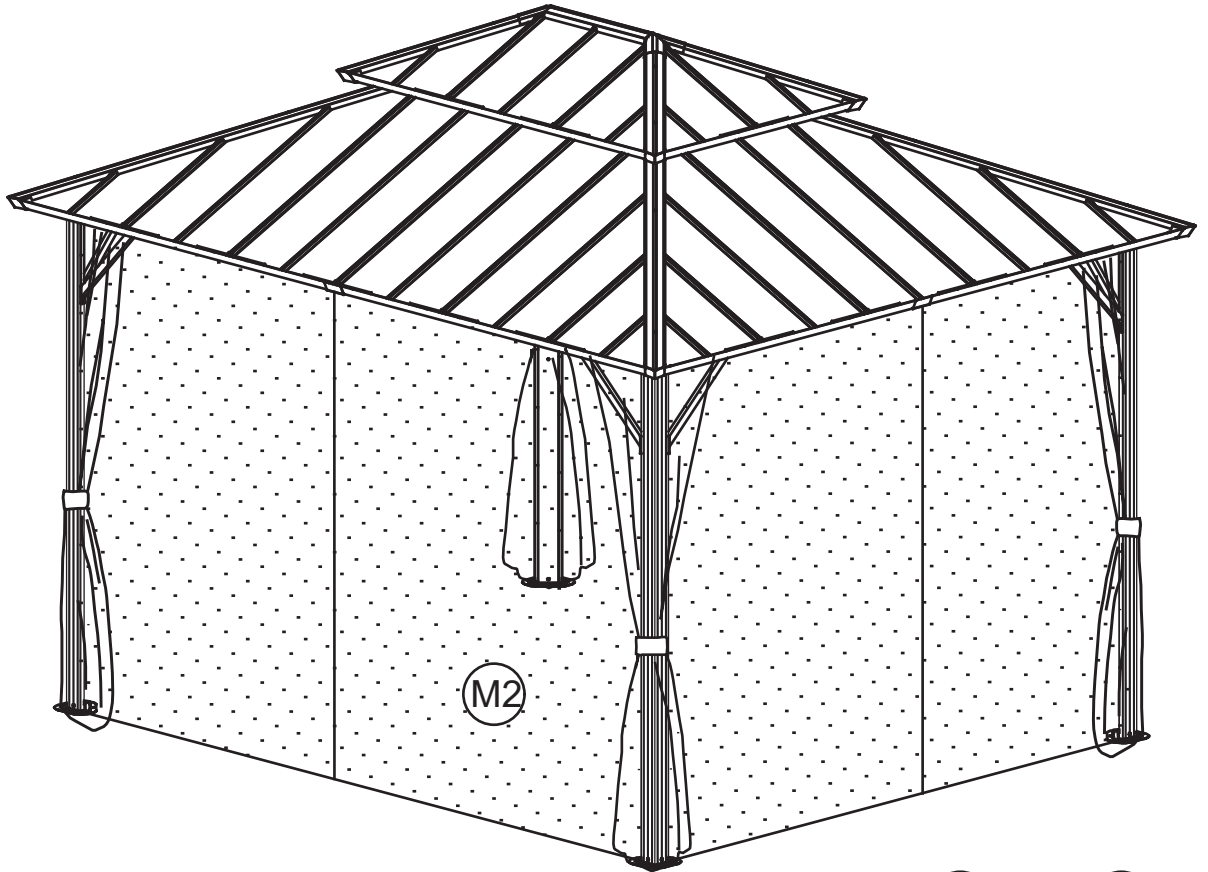


M2 4x

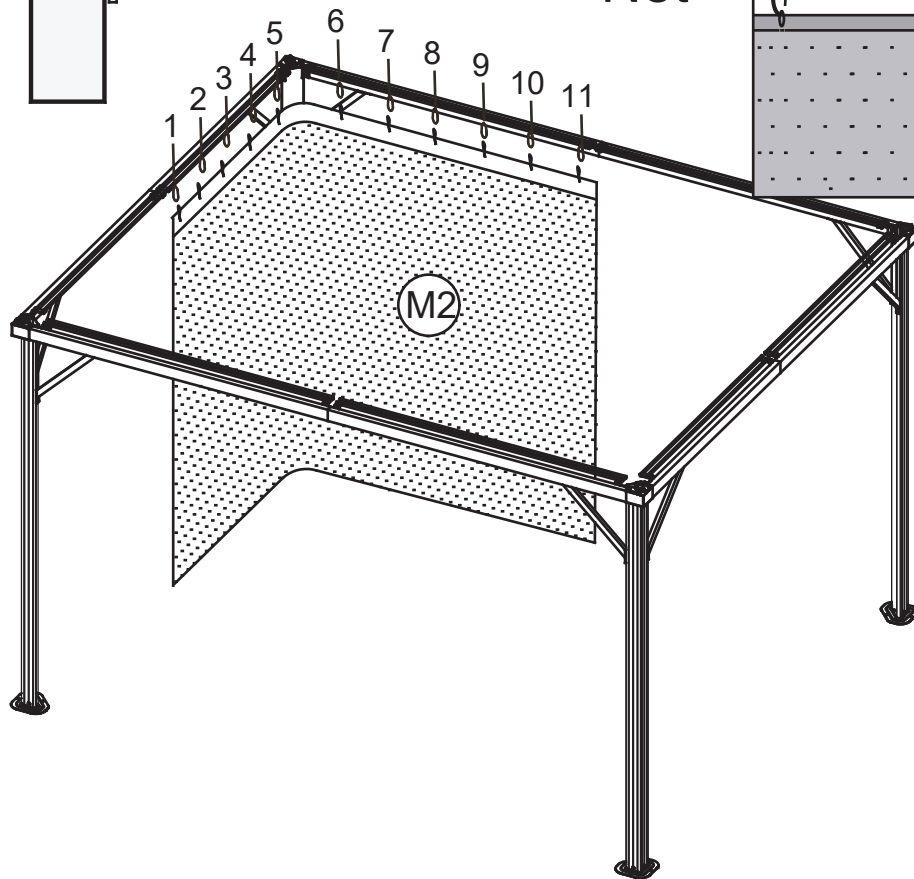
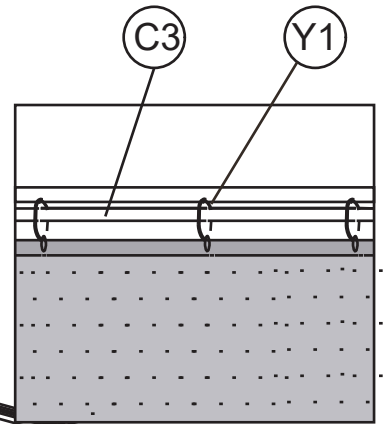


Y1 44x

<24>



Net



Carton-1/3		Carton-2/3		Carton-2/3	
Part	Qty	Part	Qty	Part	Qty
A2	4	B3	2	Y2	76
D7	4	B4	2		
E1	4	B5	2		
E3	4	B6	2	Carton-3/3	
H2	8	C2	4	Part	Qty
J	4	C3	4	M1	4
K1	4	D1	2	O1	4
K2	4	D2	2	O2	4
P	4	E2	2	O3	4
Q3	8	E14	2	O4	4
R1	4	F1	2	O5	6
R6	4	F2	2	S1	4
W5	8	F3	2	S2	4
		F4	2	S3	2
		G1	2	1.2.3.4.6.7.8.9.10. 11.12.13.15.16.	1
		G2	2		
		I1	2		
		I2	2		
		I3	2		
		I4	2		
		L1	1		
		L2	1		
		M2	4		
		M3	1		
		N1	24		
		Q2	4		
		W2	4		
		W3	4		
		W4	4		
		Y	10		
		Y1	88		