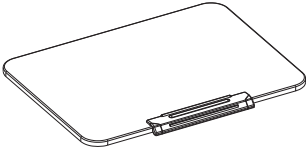


Tilting Mobile Desk Cart

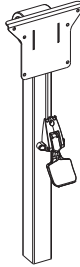
Attention:

Unpack and remove all parts from the box.
Please review the below parts list to ensure you received all the necessary parts.

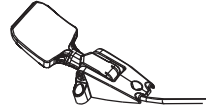
Parts List



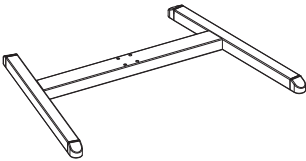
A. Top (1 pc)



B. Column (1 pc)



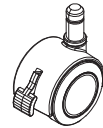
C. airLIFT Lever (1 pc)
NOTE: Part is attached to Column (B)



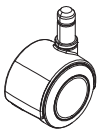
D. Base (1 pc)



E. Paddle (1 pc)



F. Locking Caster (2 pcs)



G. Caster (2 pcs)



H. Medium Screws M6 x 12 (6 pcs)



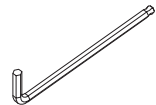
I. Long Screw M6 x 50 (4 pcs)



J. Bolts M6 x 12 (3 pcs)



K. Small Screw M4 x 8 (3 pcs)



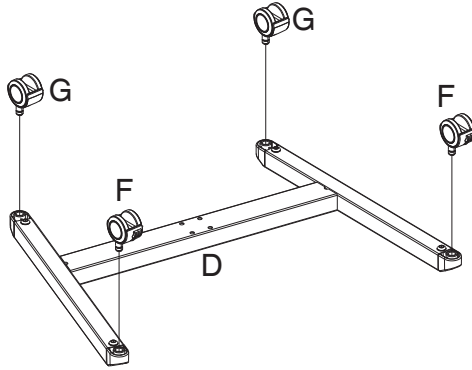
L. 5mm Hex key (1 pc)

Attention:

Do not fully tighten all the screws until all of them are in the right positions.

STEP 1.

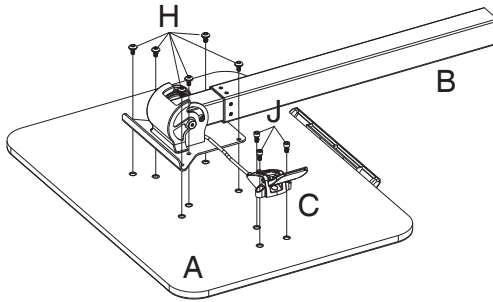
Attach **CASTERS (G)** into the open side of the **BASE (D)**. Repeat on the opposite side with **LOCKING CASTERS (F)**.



STEP 2.

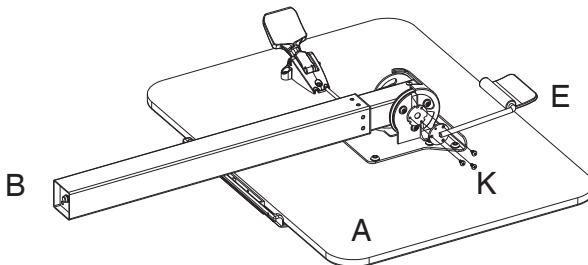
Attach the **COLUMN (B)** to the bottom side of the **TOP (A)** with **MEDIUM SCREWS (H)**, tighten with a **HEX KEY (L)**. Extend the **LEVER (C)** and attach with **BOLTS (J)**, tighten with a **HEX KEY (L)**.

NOTE: DO NOT overtighten screws. Tightening screws too much may damage the surface of the top.



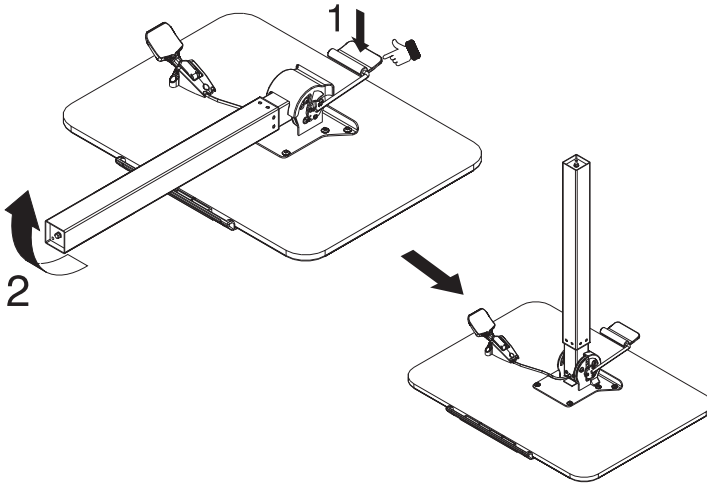
STEP 3.

Attach the **PADDLE (E)** into the side of the **COLUMN (B)** with **SMALL SCREWS (K)**, tighten with a **Screwdriver**.



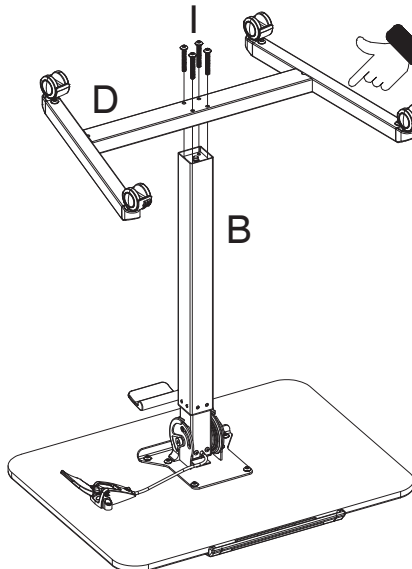
STEP 4.

Press the **PADDLE (E)** to tilt the **COLUMN (B)** up.



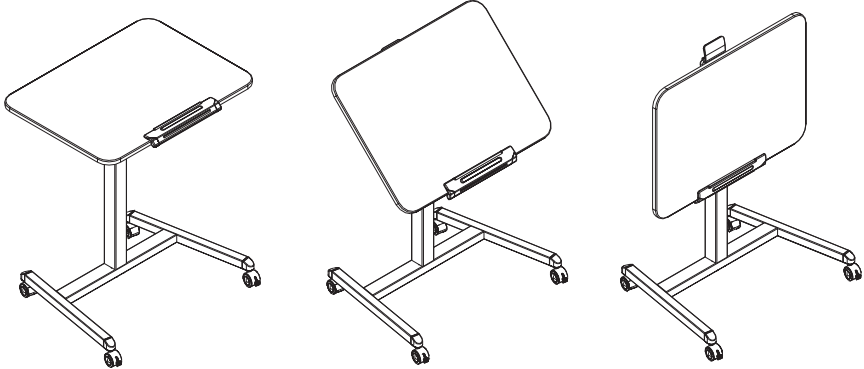
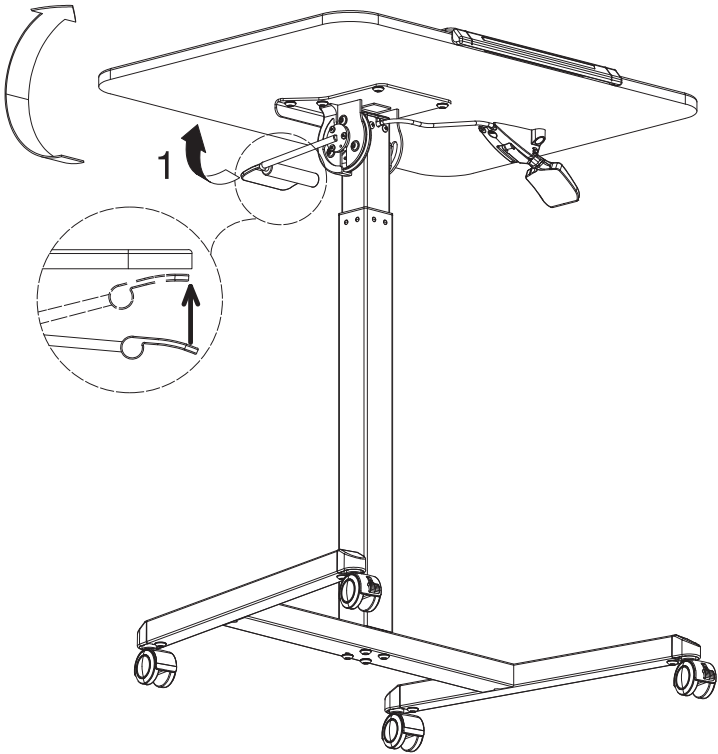
STEP 5.

Attach the **BASE (D)** to the bottom of the **COLUMN (B)** with **LONG SCREWS (I)**, tighten with a **HEX KEY (L)**.



Adjust the desk angle:

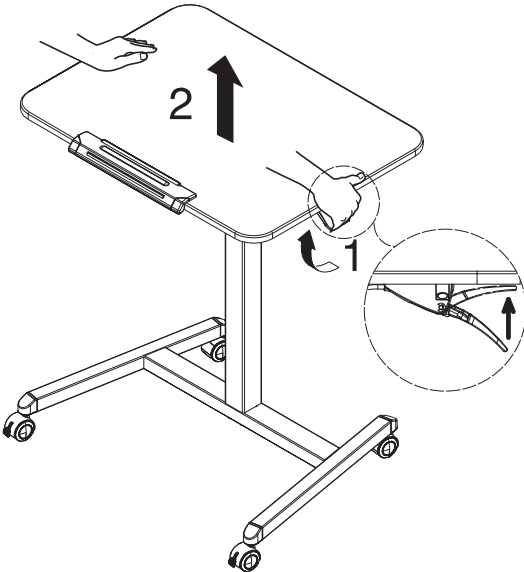
Press the **PADDLE (E)** to tilt the angle of the **TOP (A)**. Let go of the **PADDLE (E)** to lock the **TOP (A)** in place.



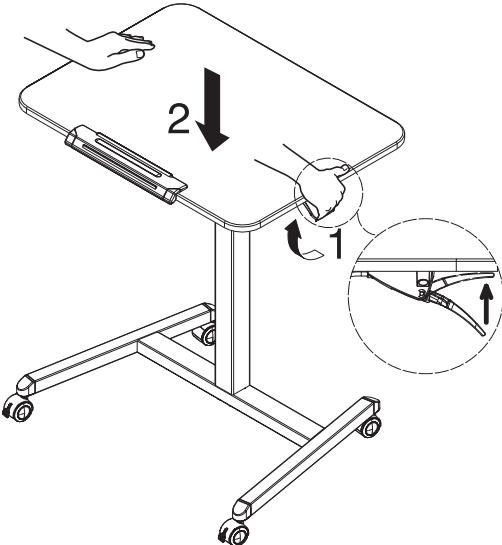
Adjust the desk height:

Press the **LEVER (C)** and pull the **TOP (A)** up to raise the desk.
Press the **LEVER (C)** and push the **TOP (A)** down to lower the desk.

Raise



Lower





WARNING

- Do not tip the desk over or place upside down.
- Do not place more than 66 lbs. on the desk top.

Use Instructions

- Roll desk into desired position.
- Lock casters to prevent the table from rolling.
- To lift, pull up on the adjustment lever.
- To lower, pull up on the adjustment lever while pressing down on the table top.
- Release adjustment lever to lock-in table height.

FAQs

Q. How high and how low can my desk go?

A. Maximum height is 43.3 inches. Minimum height is 29.9 inches.

Q. Why is my desk not locking?

A. If it is not locking contact support.

Desk may not adjust quickly after being unused for a time. To fix this, pull up on the adjustment lever and lightly "pump" the desk top up and down. The desk should now rise smoothly.

Net Weight: 22.7 lb / 10.3 kg
Gross weight: 25.1 lb / 11.4 kg

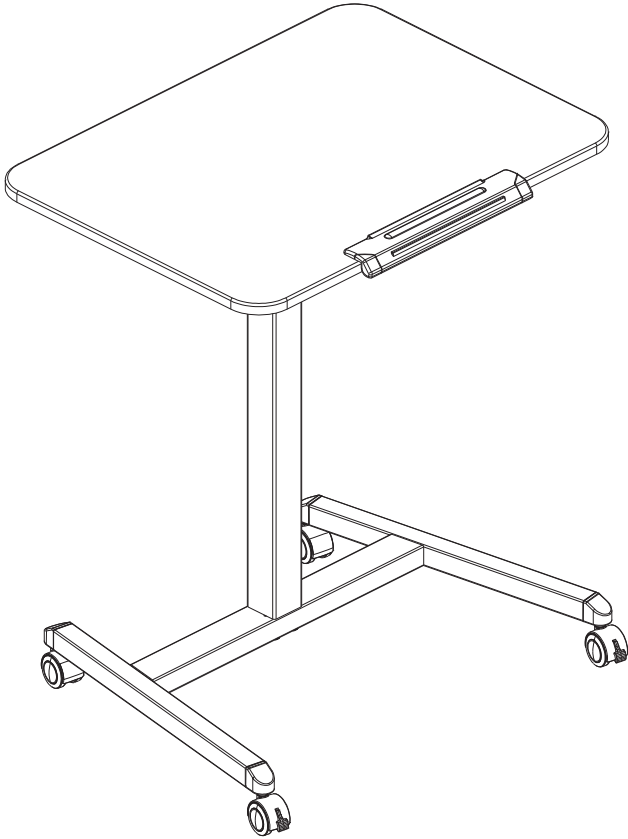
.

If you are missing any parts or have any questions with assembly, please contact our live customer support team, which can assist you in both English and Spanish.



Note:

Please be considerate of the environment and recycle the brown box the item was delivered in along with all applicable packaging materials. Thank you.



Dimensions:
25.6" W x 18.9" D x (29.9" to 43.3") H