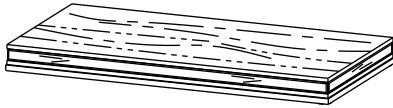


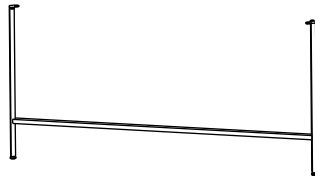
ASSEMBLY INSTRUCTION

A Table Top



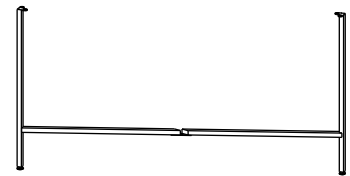
1pc

B Top Panel



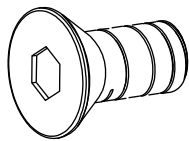
1pc

C Bottom Panel



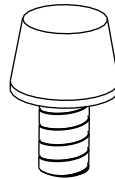
1pc

D Bolt
1/4" x 1/2"



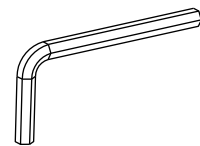
9pcs

E Leveler
19mm

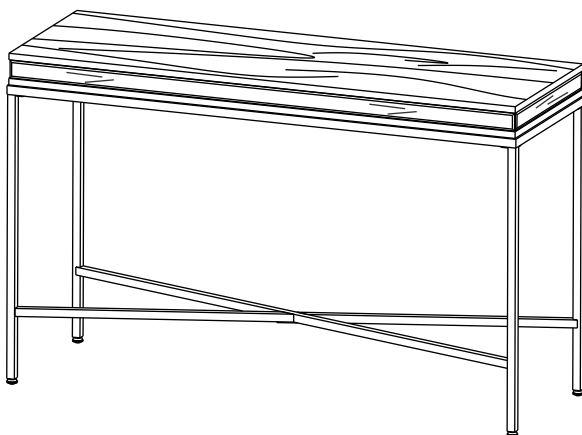


4pcs

F Allen Wrench
1/4"



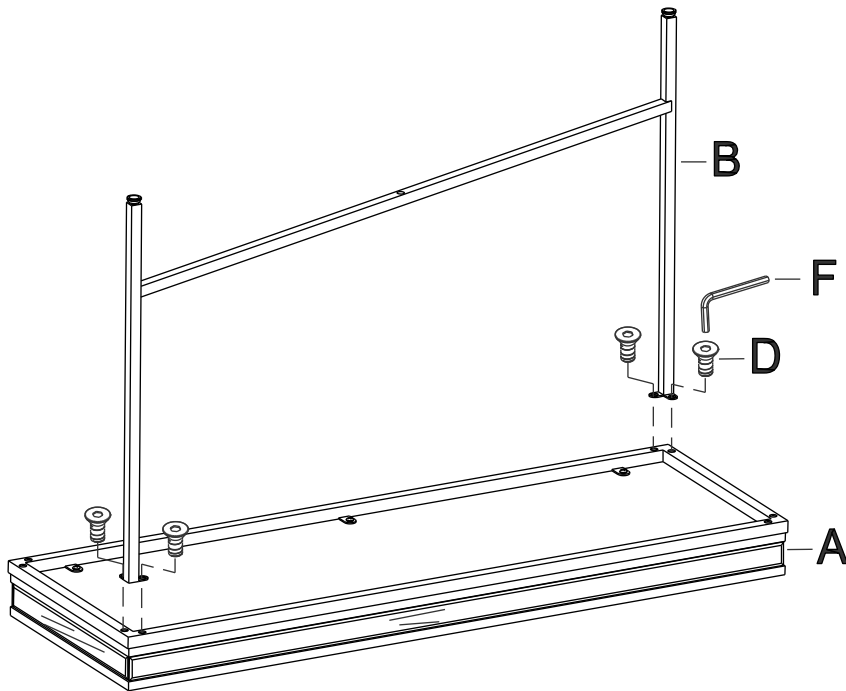
1pc



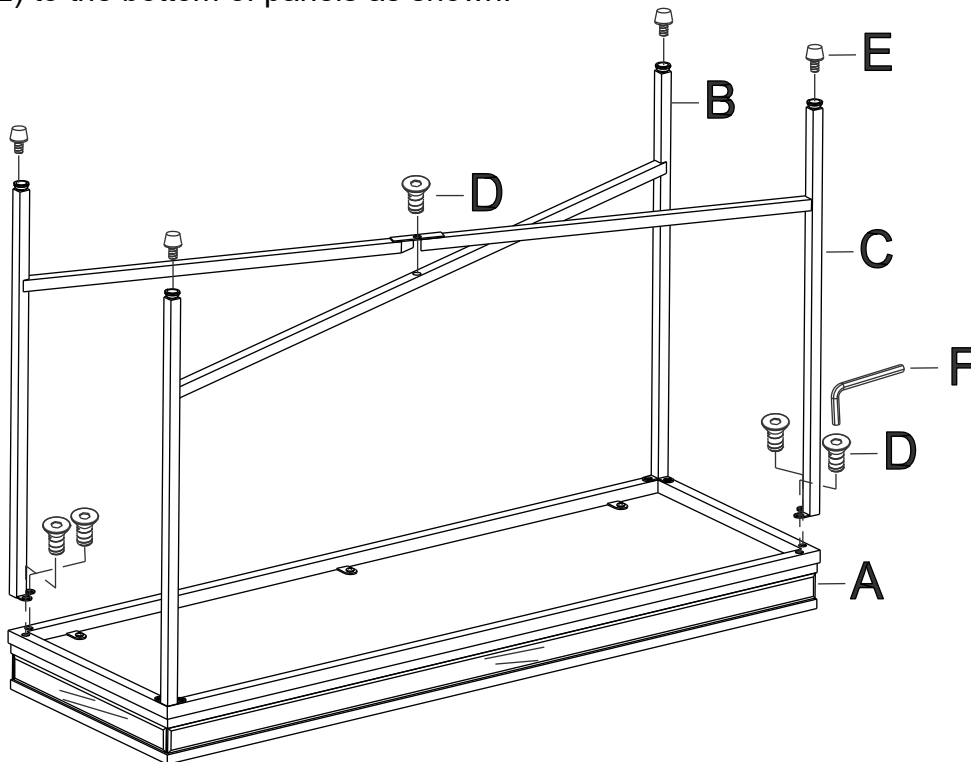
This page lists all the contents included in the box. Please take the time to identify the hardware as well as the individual components to this product. As you unpack and prepare for assembly, place the contents on a carpeted or padded area to protect them from damage.

***** Do not tighten screws & bolts until the entire unit is completely assembled.**

1 Attached Top Panel (B) to Table Top (A) by Bolt (D) and Allen Wrench (F) as shown.



2 Attached Bottom Panel (C) to Table Top (A) by Bolt (D) and Allen Wrench (F), then attach Leveler (E) to the bottom of panels as shown.



Cleaning & Care

Treat surface with care. Surface is resistant to scratches but is not scratch resistant. Clean surfaces with a dry or damp soft cloth. Do not use abrasive cleaners. Hardware may loosen over time. Periodically check that all connections are tight.