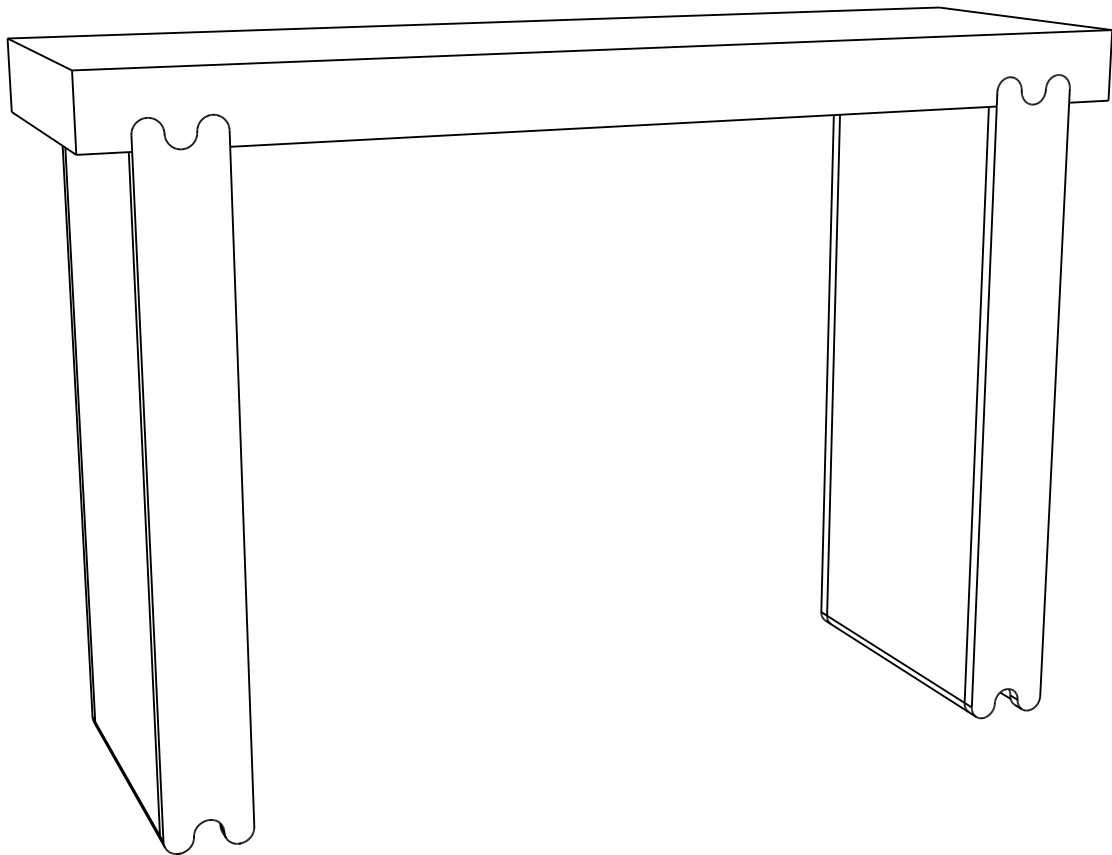


ASSEMBLY INSTRUCTION

Console Table



ASSEMBLY INSTRUCTION

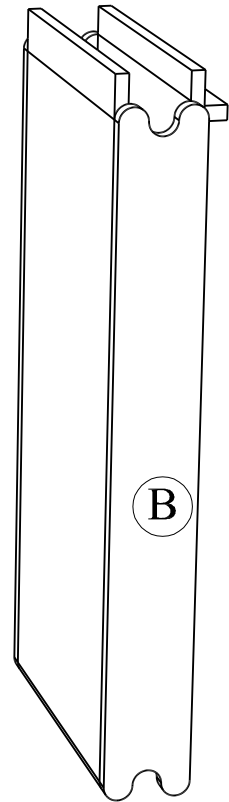
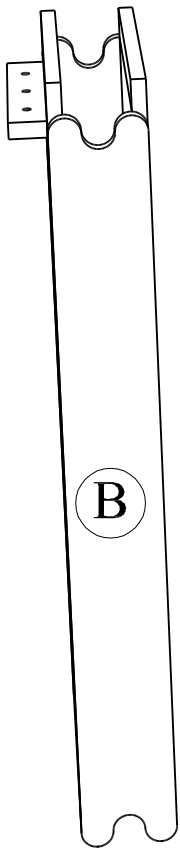
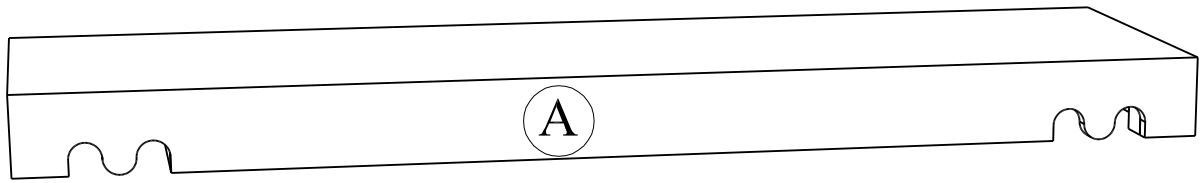
Please read these instructions fully before starting assembly:

1. Place all wooden parts on a clean and smooth surface such as a rug or carpet to avoid scratching the parts.
2. Kindly follow the assembly instructions step by step.
3. Do not tighten all screws and bolts until the table is fully assembled.
4. Unscrew the protective plastique supports from the metal insert of the table legs before assembly.
5. Parts of the assembly will be easier with 2 people.

Care and maintenance:

Only clean using a damp cloth and mild detergent, do not use bleach or abrasive cleaners.

ASSEMBLY INSTRUCTION



ASSEMBLY INSTRUCTION

Part List

Ⓐ

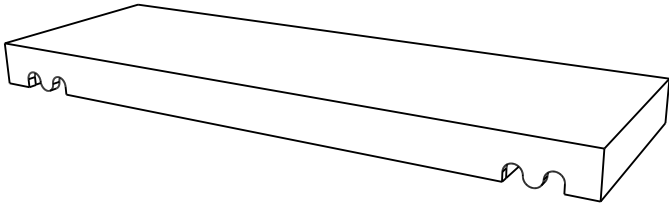
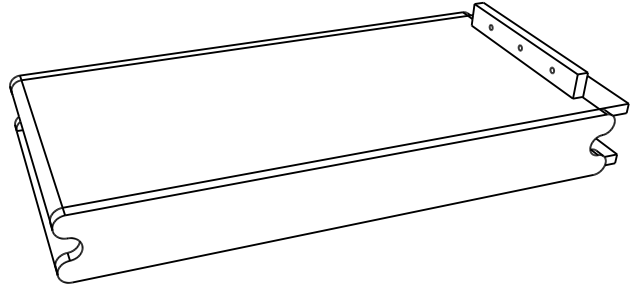


TABLE TOP (1 pc)

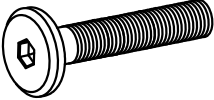
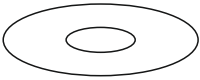

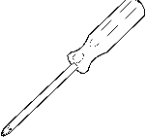







Ⓑ



LEGS (2 pcs)

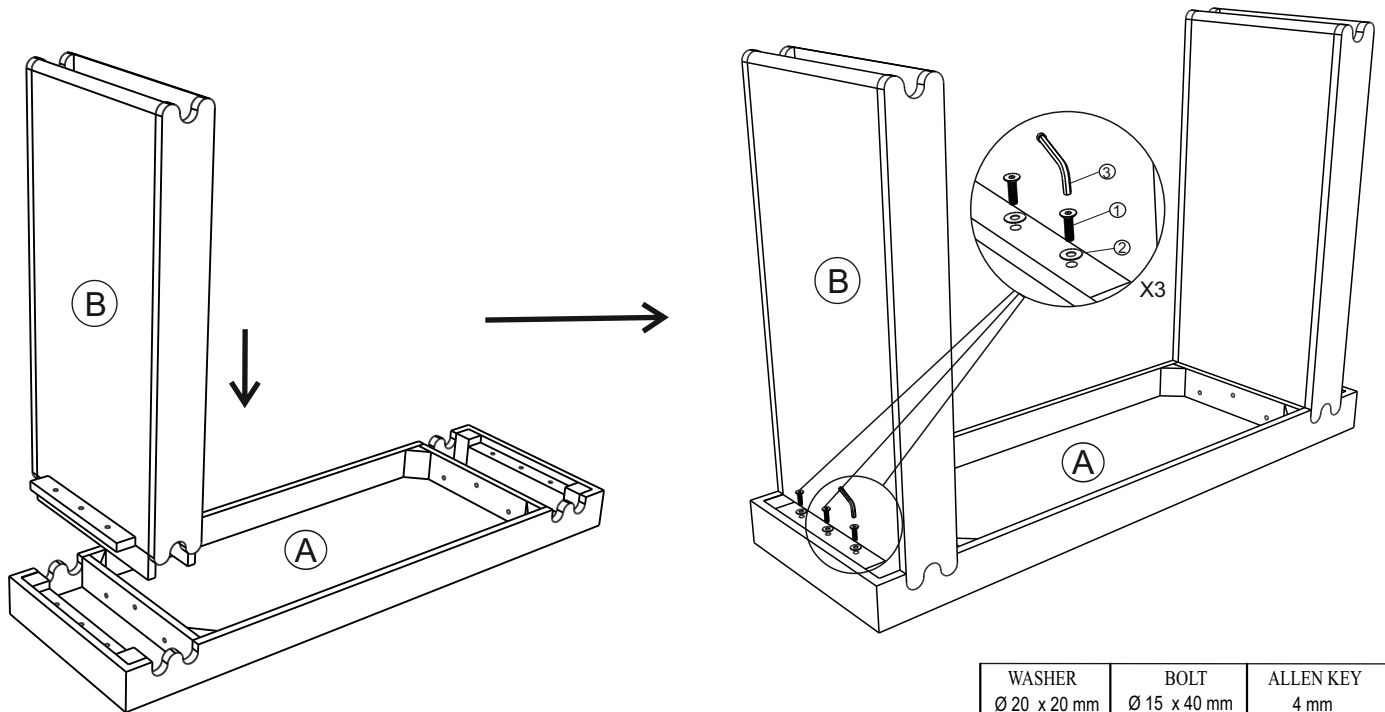
ASSEMBLY INSTRUCTION




Hardware

①		Bolt (M15mmx40mm)	13
②		Washer (20mmx20mm)	13
③		Allen key (5mm)	1
④		Screwdriver (Not Provided)	1
⑤		Hammer (Not Provided)	1
⑥		Power Drill (Not Provided)	1
⑦		Washer	2
⑧		Wall Plug Screw (M8mmx28mm)	4
⑨		Product Screw (M3 x 12mm)	6
⑩		Metal Bracket	2
⑪		Wall plug (M5 x32mm)	2

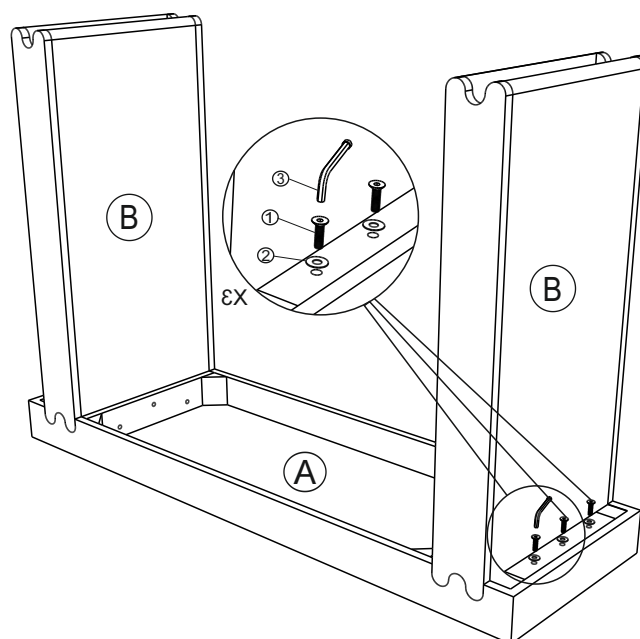
ASSEMBLY INSTRUCTION




STEP 1:



WASHER Ø 20 x 20 mm	BOLT Ø 15 x 40 mm	ALLEN KEY 4 mm
		
②x 3	①x 3	③x 1

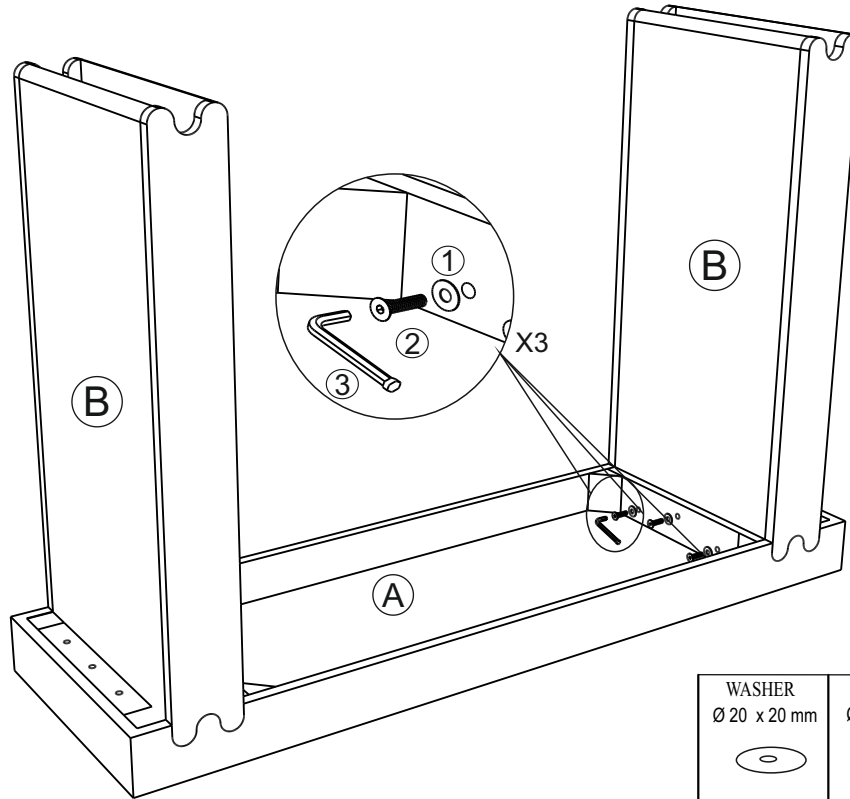
STEP 2:






WASHER Ø 20 x 20 mm	BOLT Ø 15 x 40 mm	ALLEN KEY 4 mm
		
②x 3	①x 3	③x 1

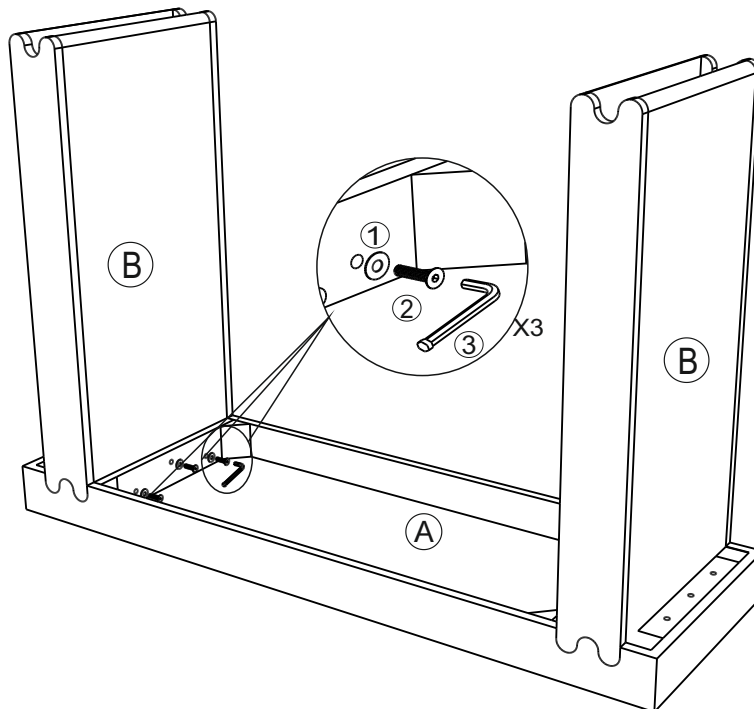
ASSEMBLY INSTRUCTION




STEP 3



WASHER Ø 20 x 20 mm	BOLT Ø 15 x 40 mm	ALLEN KEY 4 mm
		
②x 3	①x 3	③x 1

STEP 4:



WASHER Ø 20 x 20 mm	BOLT Ø 15 x 40 mm	ALLEN KEY 4 mm
		
②x 3	①x 3	③x 1

ASSEMBLY INSTRUCTION

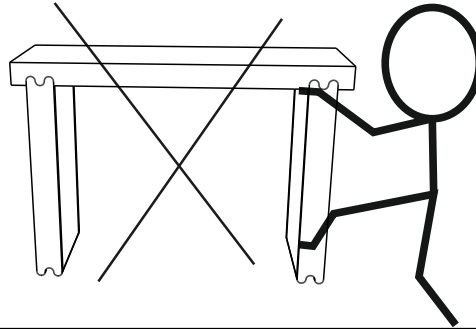
Tipover Restraint Device Installation Instruction

WARNING 

Serious or fatal crushing injuries can occur from tipping furniture.

To help prevent tip-over : **ALWAYS** secure this furniture to the wall using tipover restraint device.

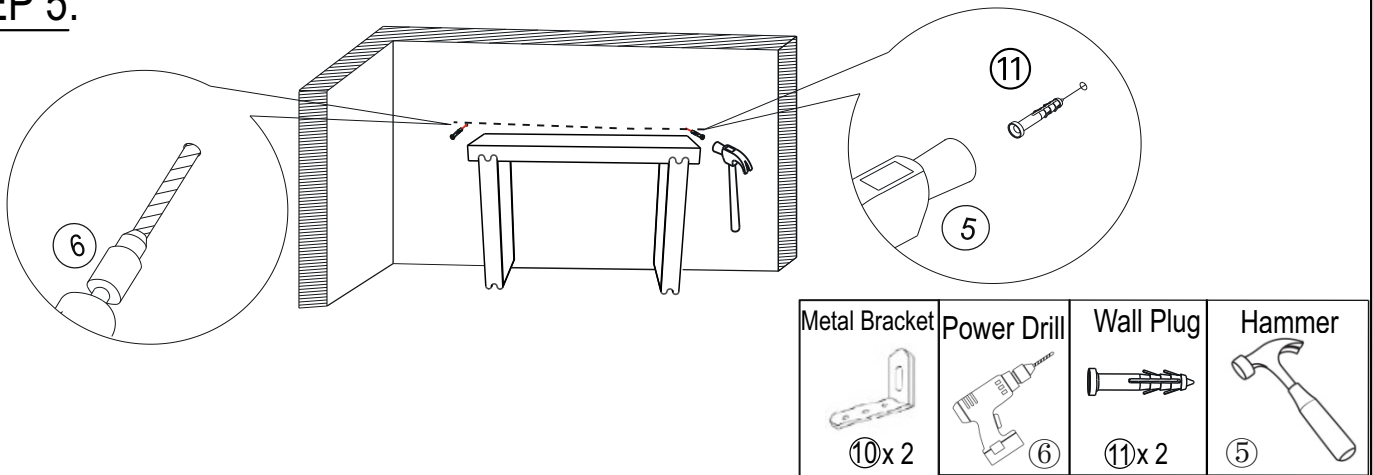
See products instruction for more ways to help prevent furniture tip-over



Usage For Tipover Restraint Device:

To secure Console Table against wall, attach two Metal Brackets (⑩) on wall and the product.

STEP 5:



5.1) Drill two holes on wall at same height as Metal Bracket (⑩) on Console Table (A) with Power Drill (⑥)

You can mark these points in the ways as below:

1) Move the Console Table back to the wall. Mark two point same height and width as Console Table on the wall.

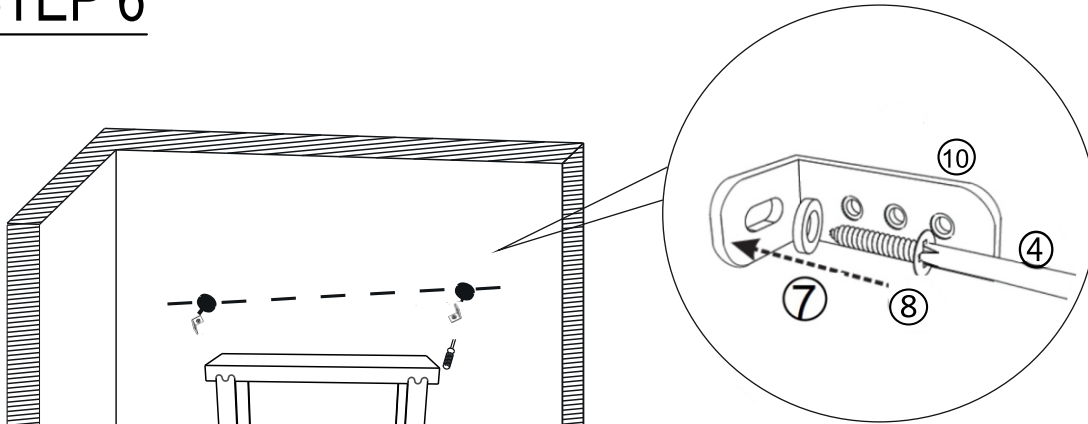
Note : The brackets need to be secured to solid, load bearing surface. Please use a stud finder (not supplied) if needed to locate the wall frame.





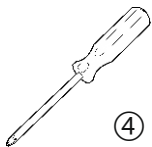
2) Measure the height of the Metal Brackets (⑩) with ruler/measuring tape and mark on wall to keep them accurate and same height and width as the Console Table.

5.2) Insert wall plugs (⑪) into drilled holes on wall with hammer (⑤)

ASSEMBLY INSTRUCTION

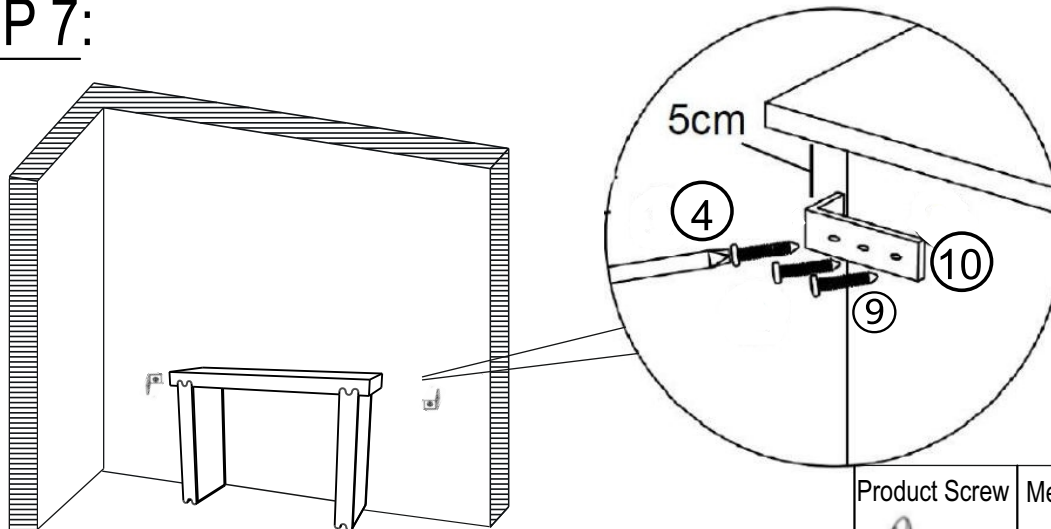
STEP 6






Wall Plug  ⑪x 2	Wall Plug Screw  ⑧x 2	Metal Bracket  ⑩x 2	Washer  ⑦x 2	Screwdriver  ④
--	---	--	---	---

Attach Metal Brackets (10) to Wall Plugs (11) using Wall Plug Screws (8) with washer (7) and Screwdriver (4)

STEP 7:



Product Screw  ⑨x 6	Metal Bracket  ⑩x 2	Screwdriver  ④
--	--	---

Move Console Table to the wall, customer can use one of 3 holes for assembly same as other side.
Connect the Metal Bracket (10) to Console Table with help of product screw (9) and screwdriver (4) same as other side.

This Console Table is now ready to use.