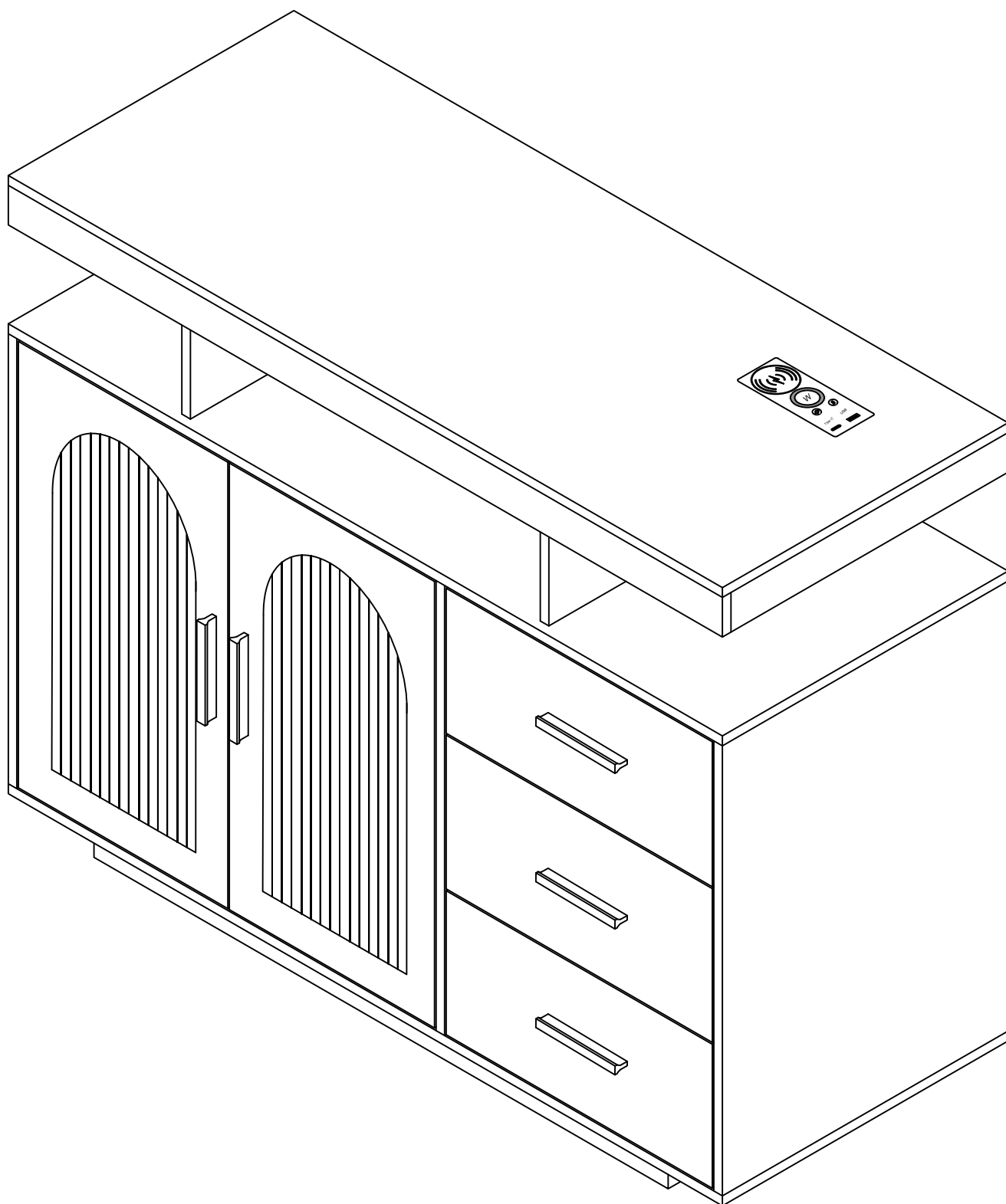
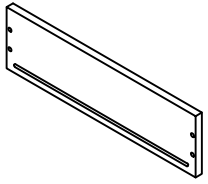
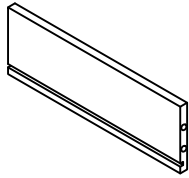


Product Installation Instructions

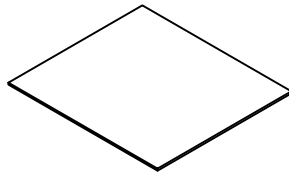




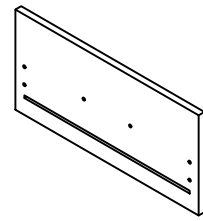
Ax3



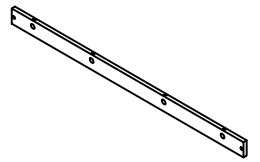
Bx6



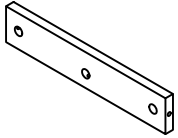
Cx3



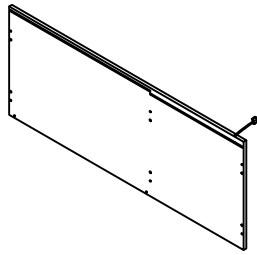
Dx3



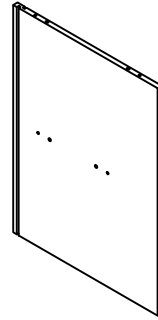
Ex2



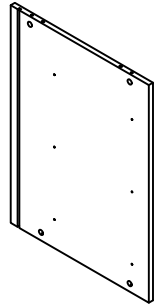
Fx2



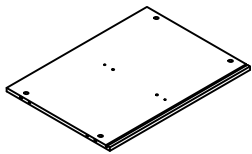
Gx1



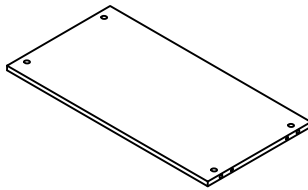
Hx1



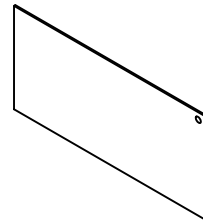
Jx1



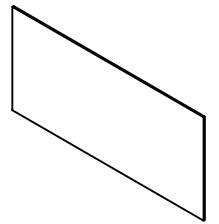
Kx1



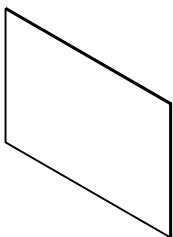
Lx1



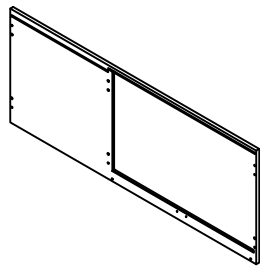
Nx1



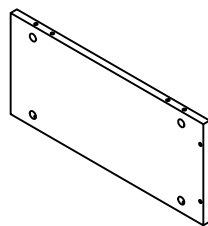
N2x1



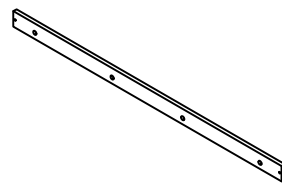
Mx1



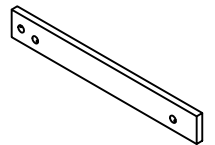
Ox1



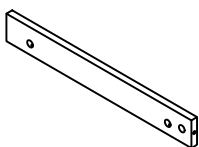
Px2



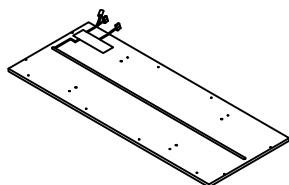
Qx1



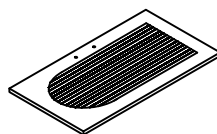
Rx1



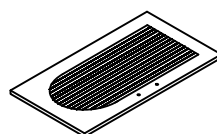
Sx1



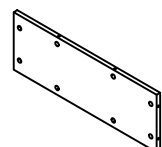
Tx1



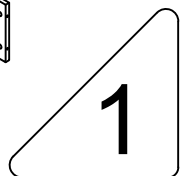
Ux1



Vx1

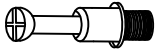

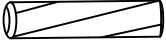
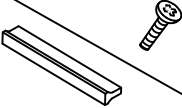
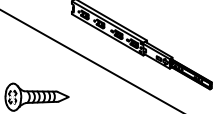
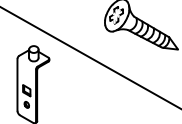
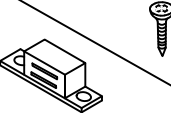
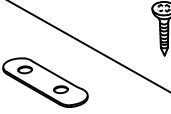

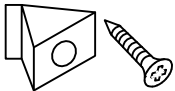
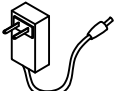


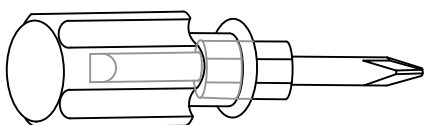
Wx1



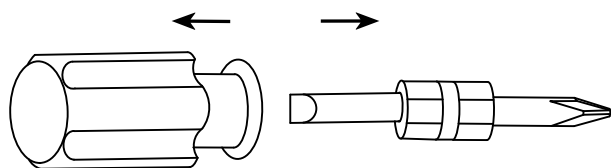
1

Accessories list

①		Two In One Screw (6x28mm)	80pcs +6pcs
②		Two In One Nut (10x12mm)	80pcs +6pcs
③		Wood Chipping (6x30mm)	24pcs +4pcs
④		Handle & Screw (4x16mm)	10pcs +2pcs 5pcs
⑤		Screw & Guide(12 inch) (3x12mm)	6pcs 30pcs +6pcs
⑥		Cabinet door hinge & Screw (3x10mm)	8pcs +2pcs 4pcs
⑦		Magnetic attraction & screw (3.5x12mm)	2pcs +1pcs 1pcs
⑧		Iron sheet & screw (3x10mm)	4pcs +1pcs 2pcs
⑨		Non-slip pads	6pcs +2pcs
⑩		Fixing clip & screw (3x16mm)	8pcs +2pcs
		AC/DC Adapter (12V=3.0A)	1pcs



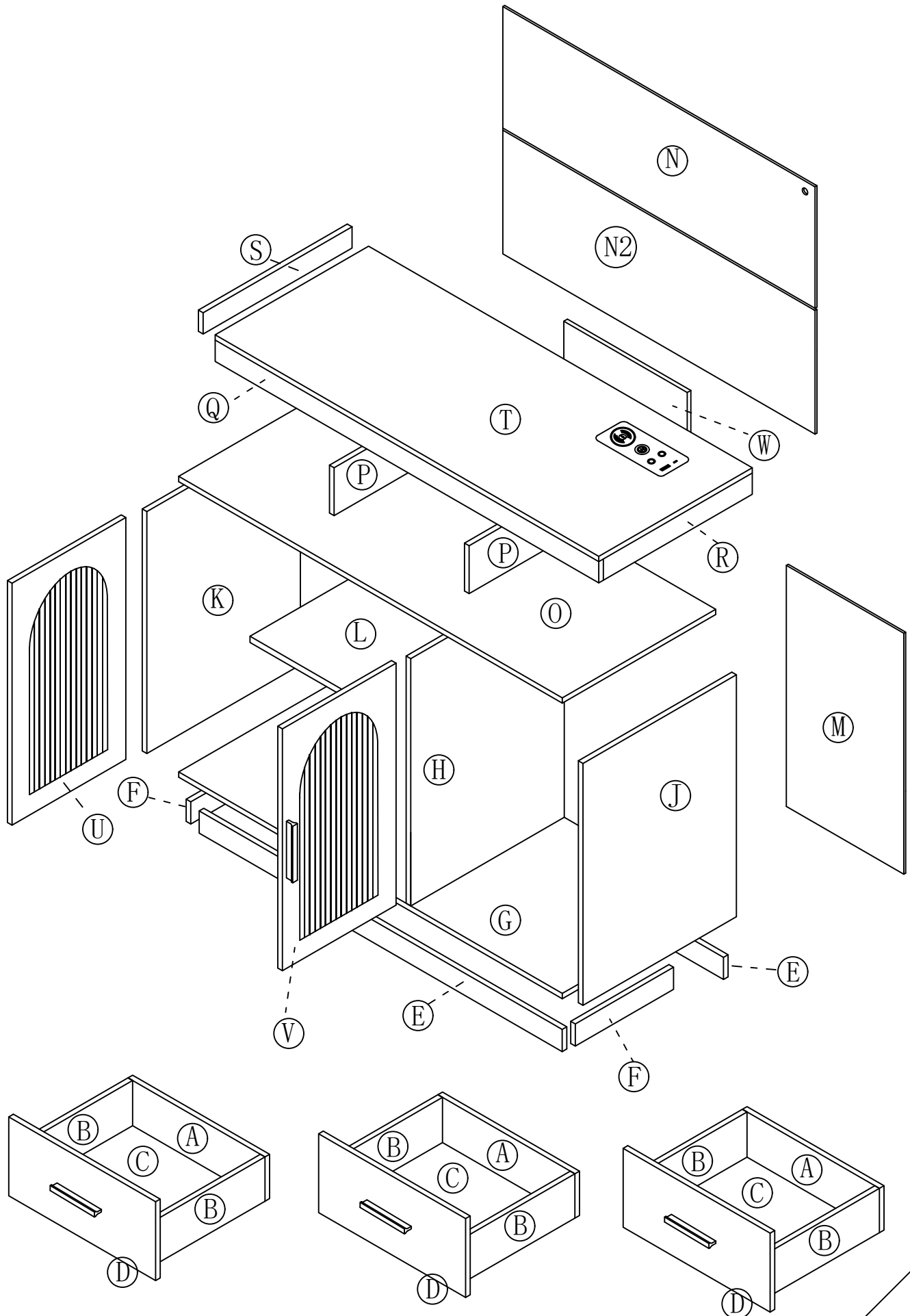
1pcs



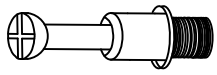
Double-head screwdriver, use as required

2

Product structure decomposition



1



24 pcs

2



24 pcs

4

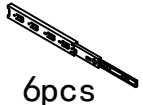


x3



x6

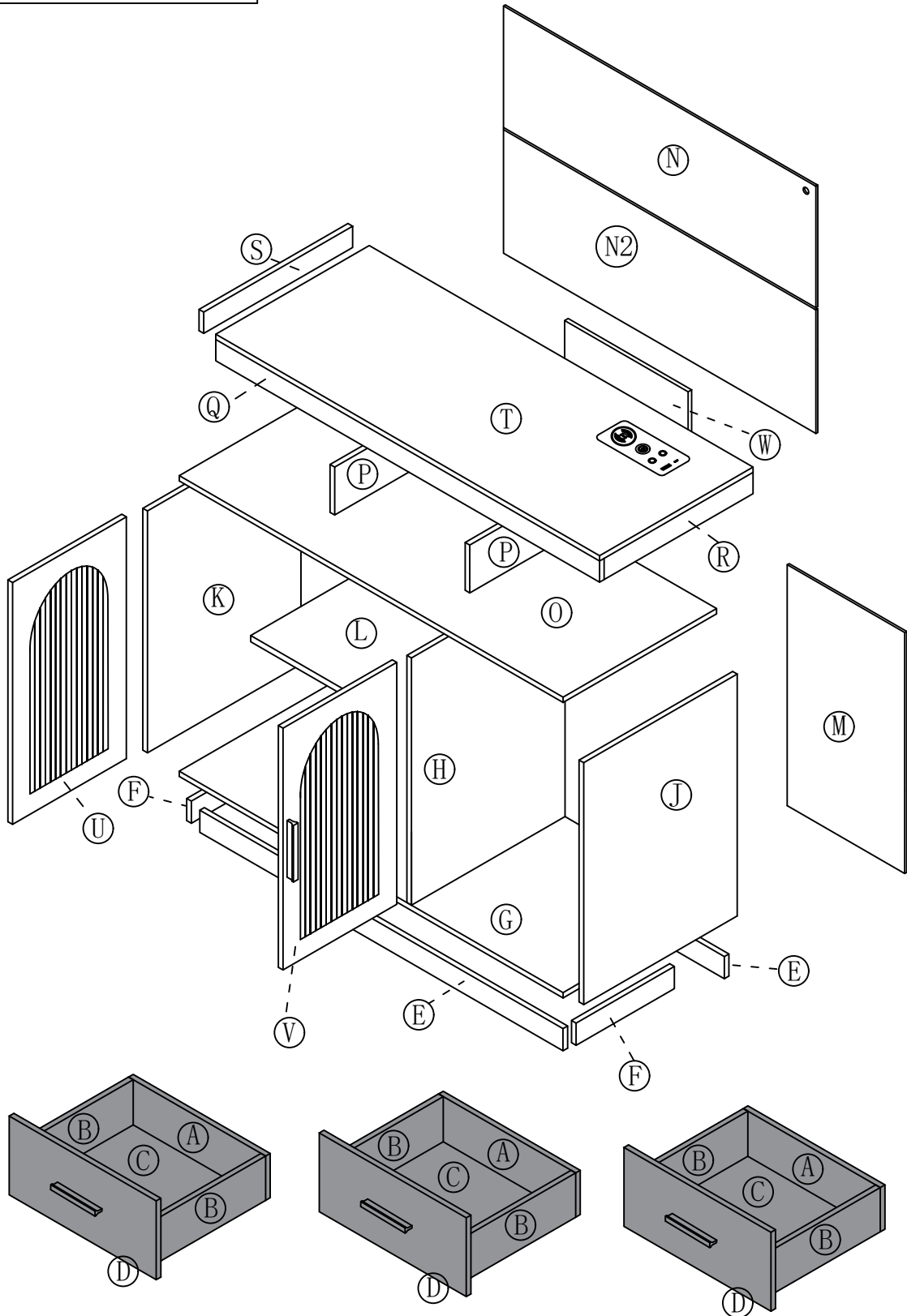
5



6pcs

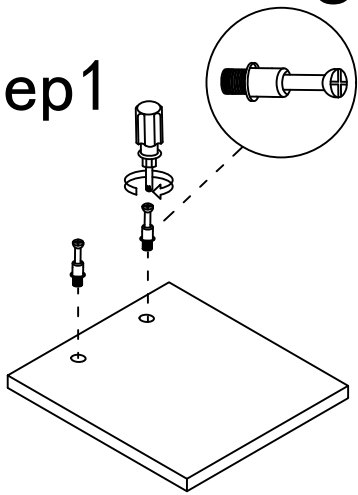


12 pcs

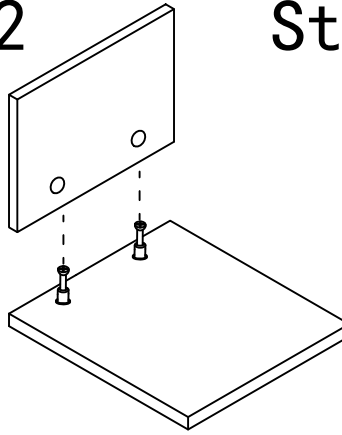


Use parts ① and ②

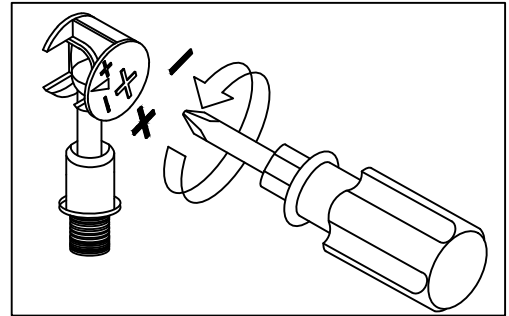
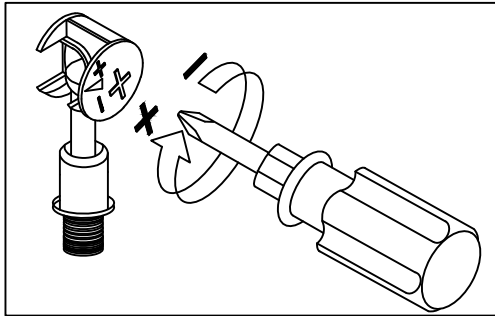
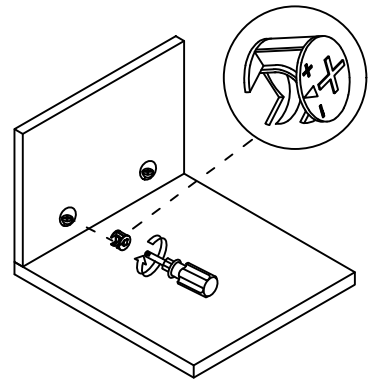
Step1



Step2



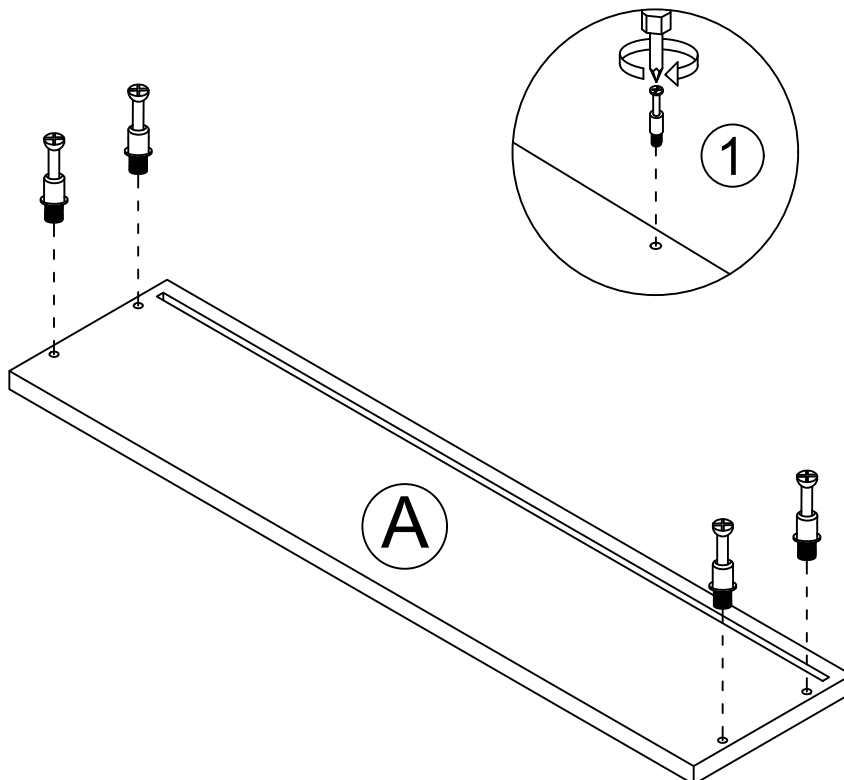
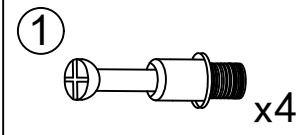
Step3



Use a screwdriver to lock in the direction of the "+" sign

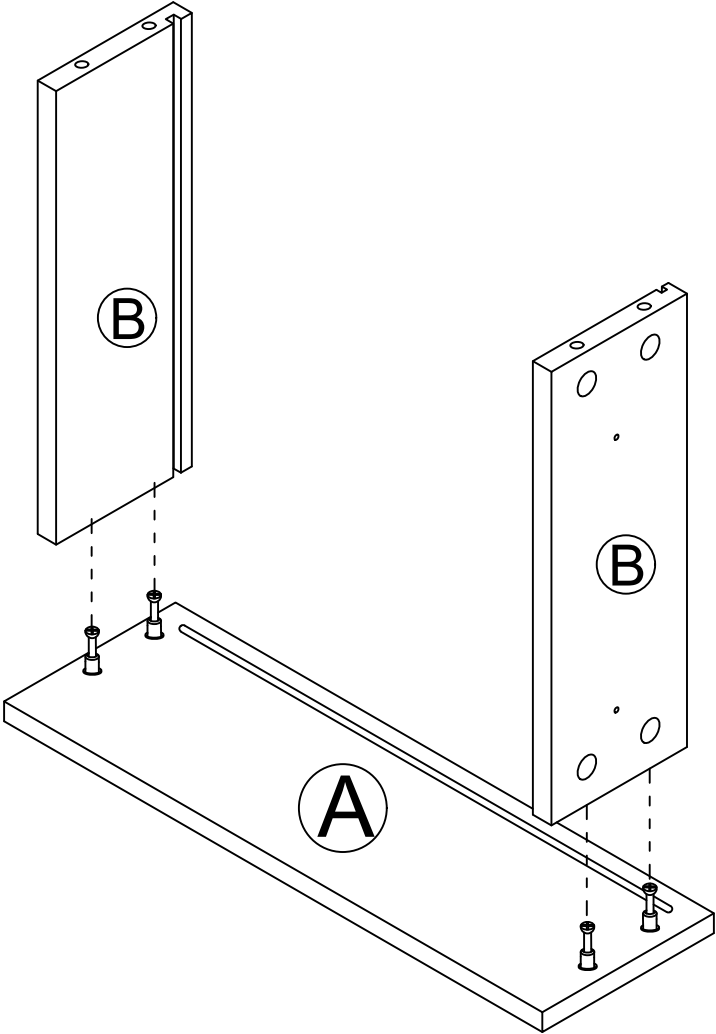
Disassemble along the direction of "-" sign

Step 1

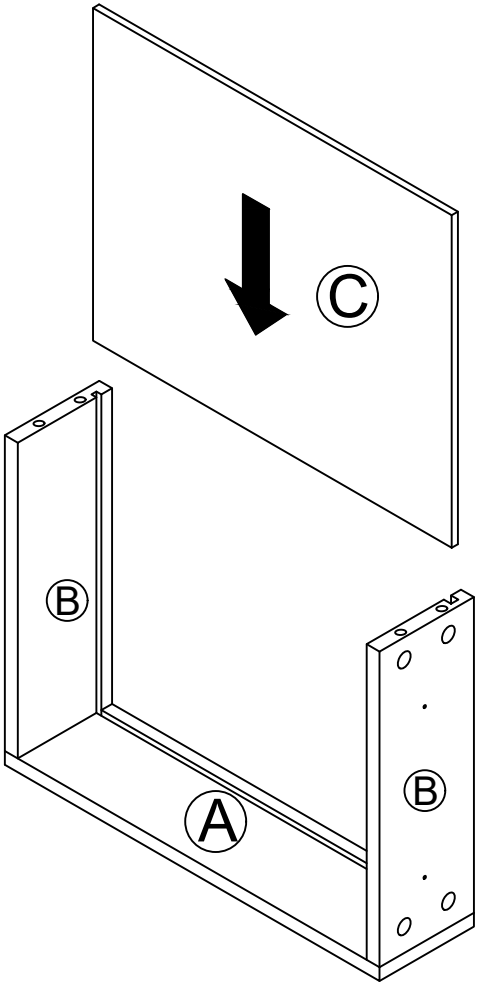


5

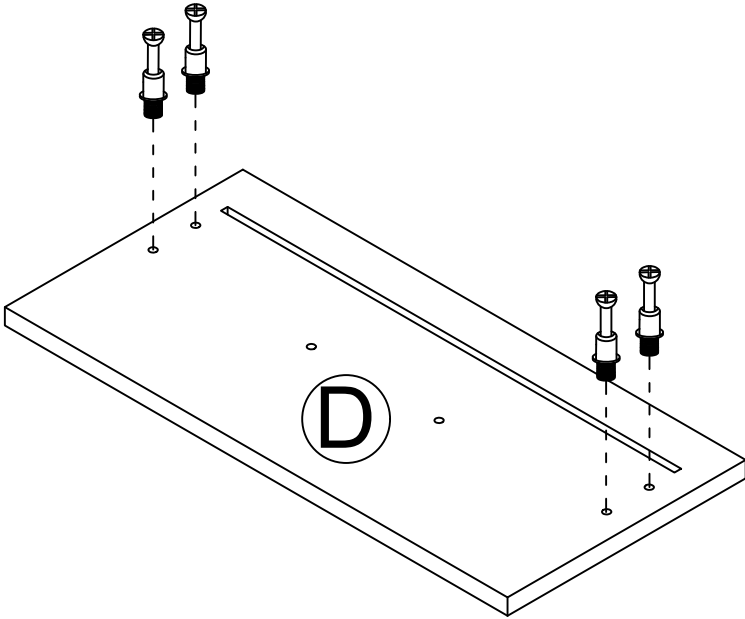
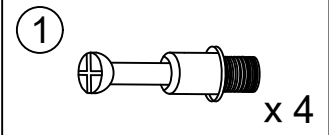
Step 2



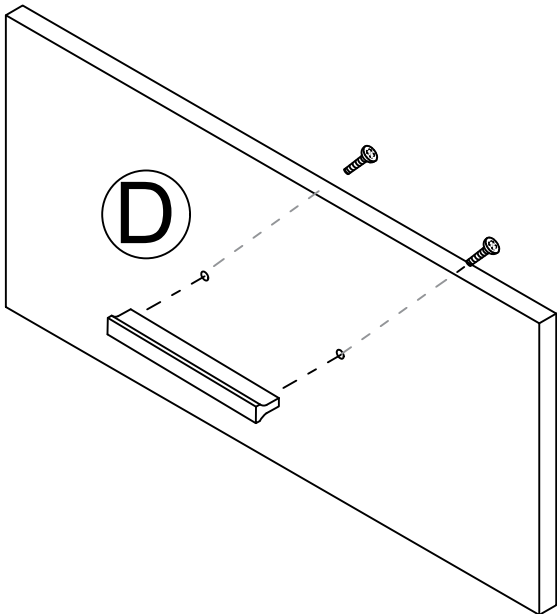
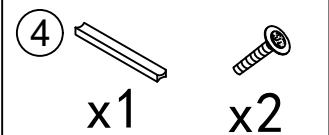
Step 3




Step 4

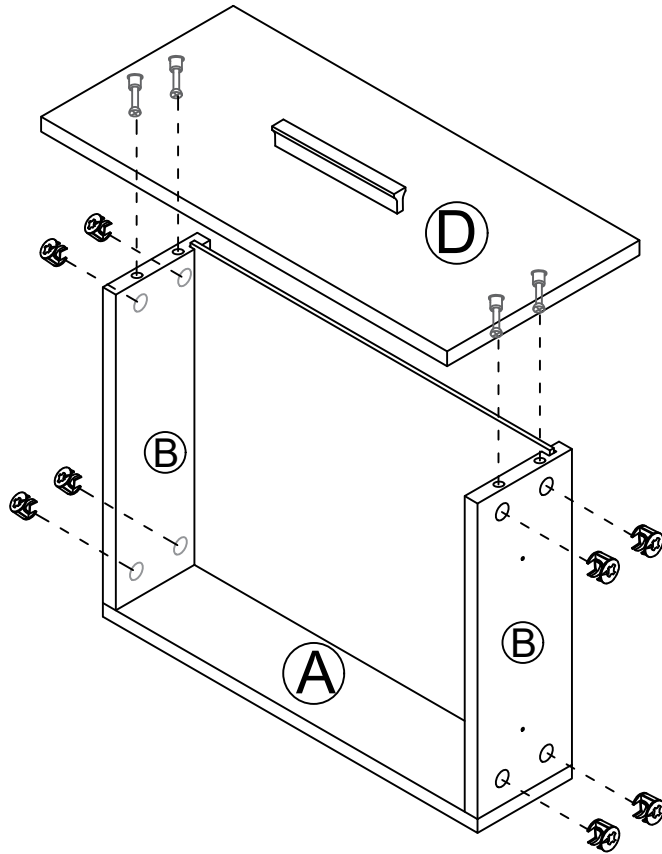


Step 5

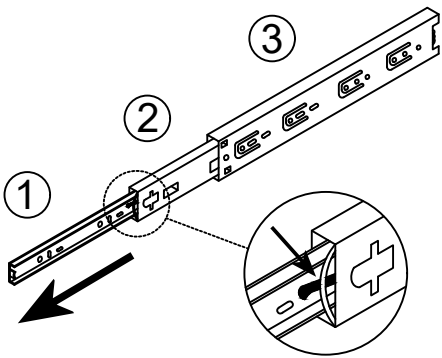


Step 6

②  x 8

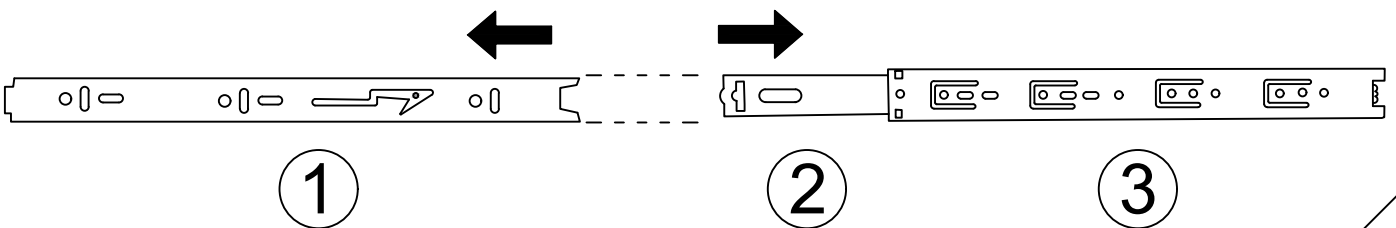
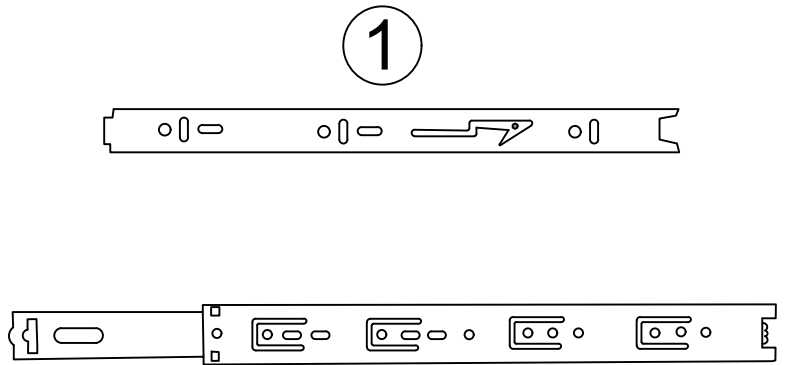


Drawer rail breakdown diagram

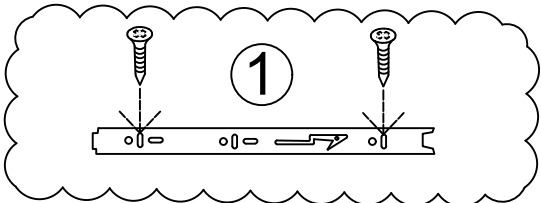


Step 1 : Pull the rails apart

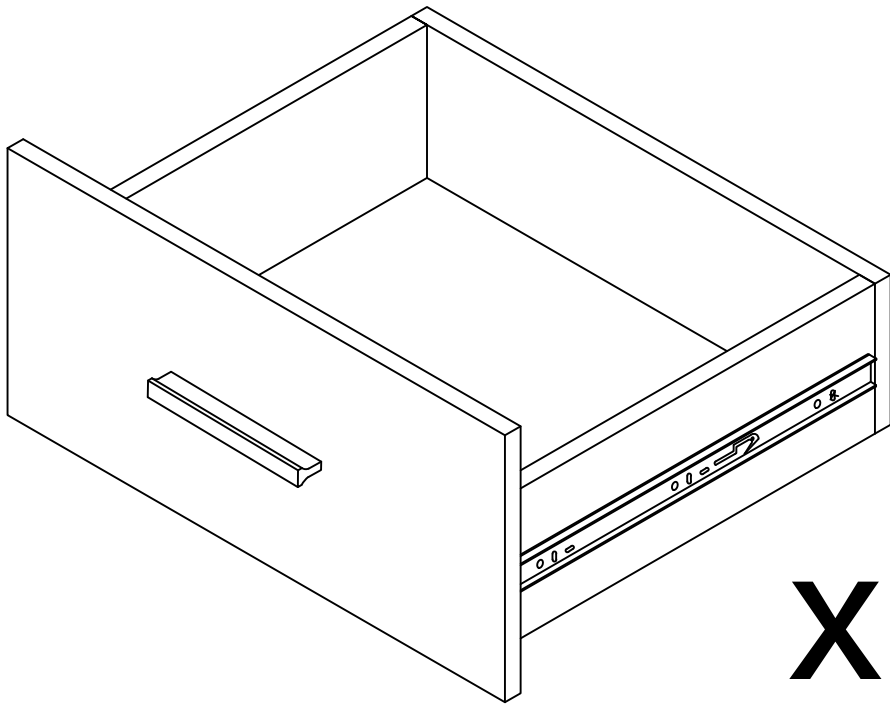
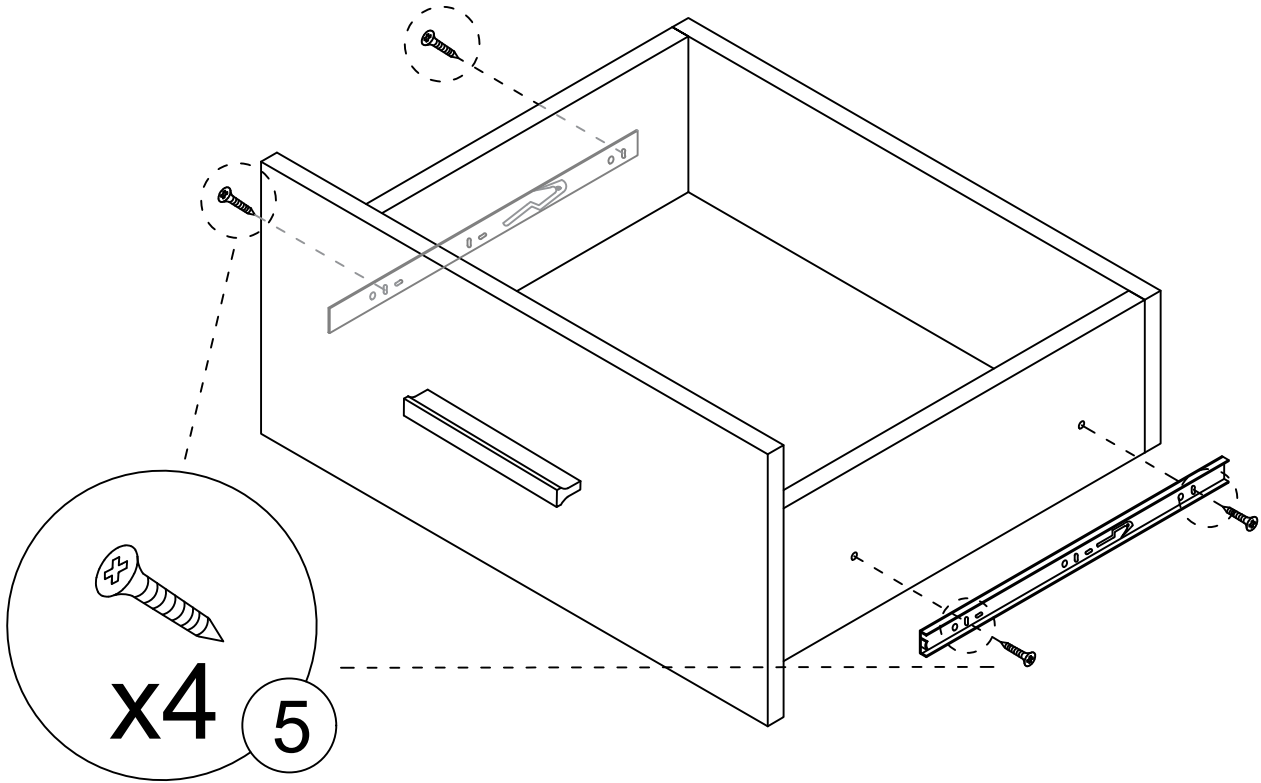
Step 2 : Push the nylon buckle outward ①



Step 7

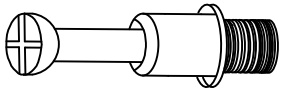

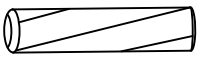
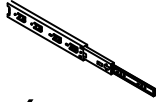
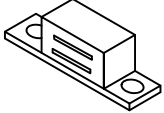

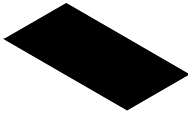


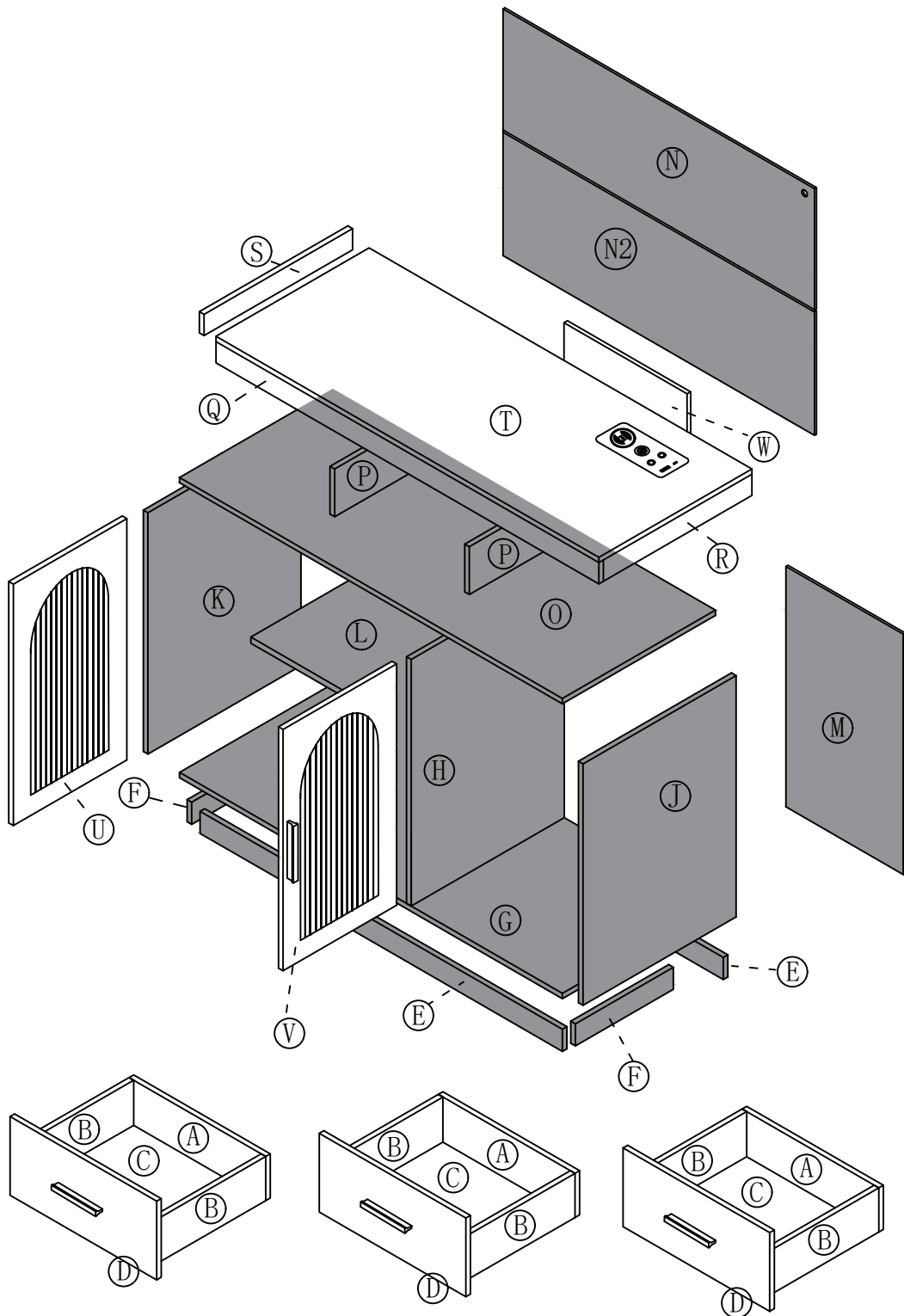
- ⑤ x 2
- x 4



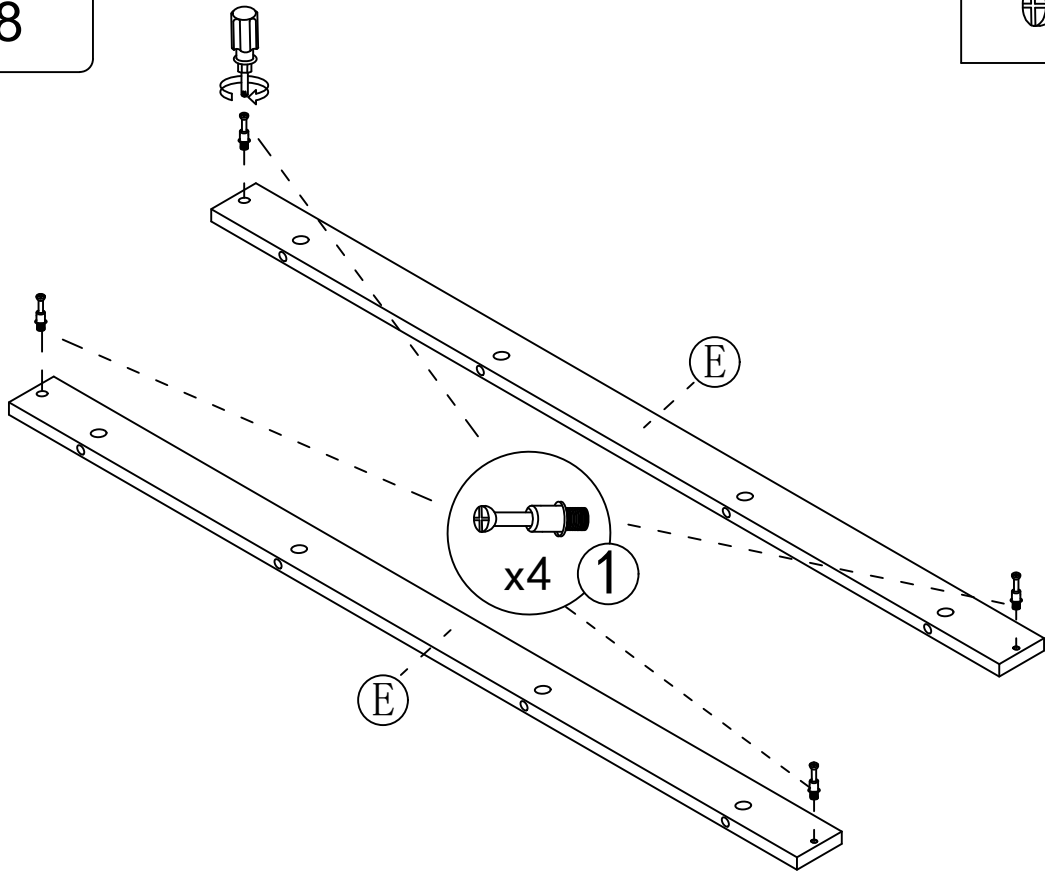
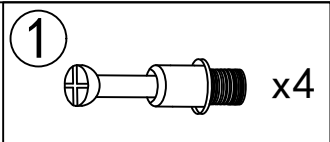
- ① x16
- ② x16
- ④ x2 x4
- ⑤ x 4 x 8

The installation method for the other drawer is the same

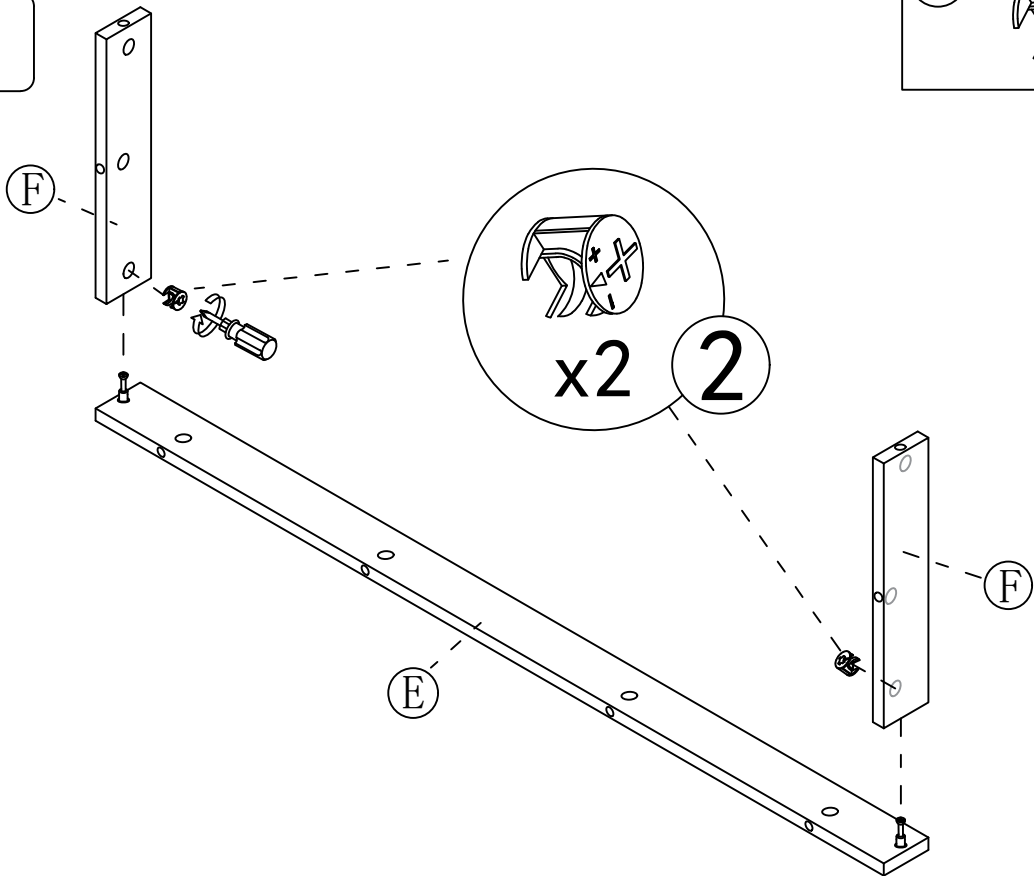
<p>1</p>		<p>30pcs</p>	<p>2</p>		<p>30pcs</p>
<p>3</p>		<p>16pcs</p>	<p>5</p>		<p>6pcs</p>
<p>7</p>	 <p>1pcs</p>	 <p>2pcs</p>	<p>9</p>		<p>18pcs</p>




Step 8

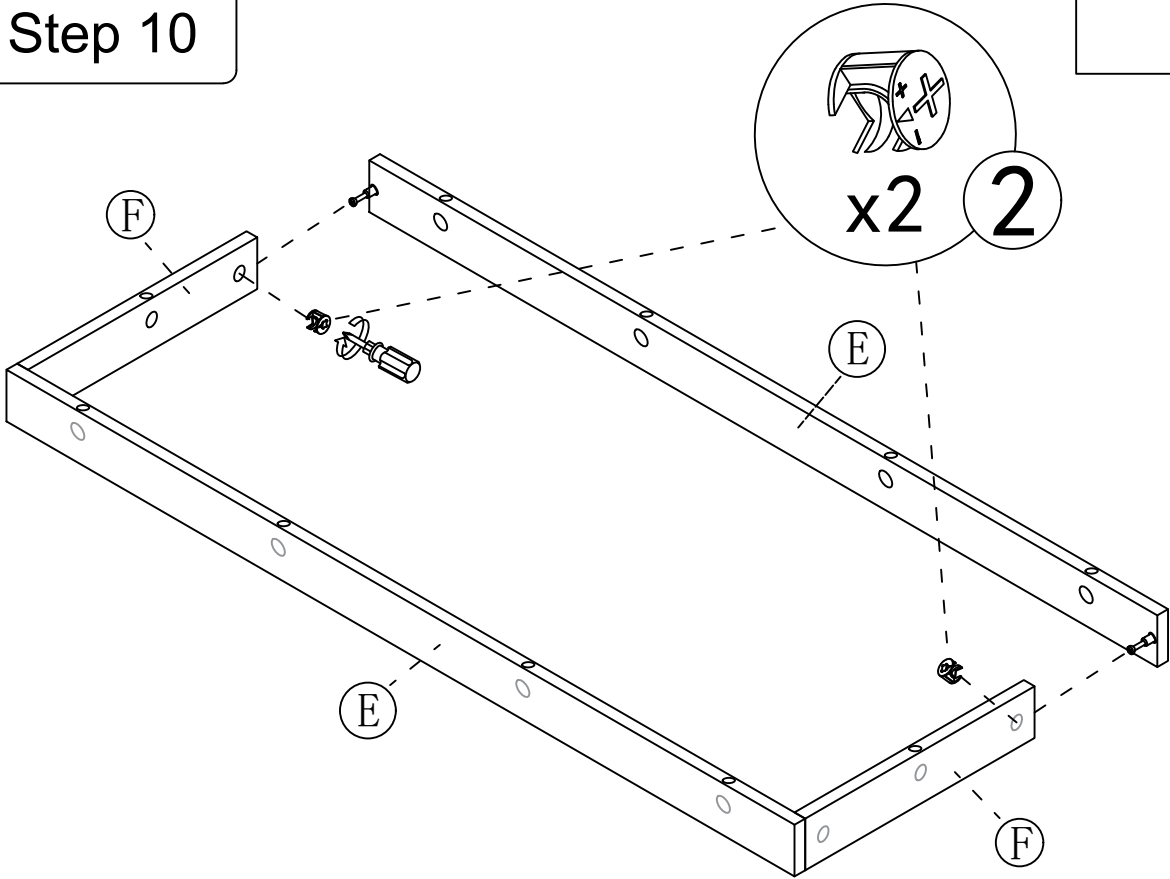


Step 9

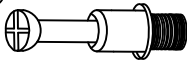


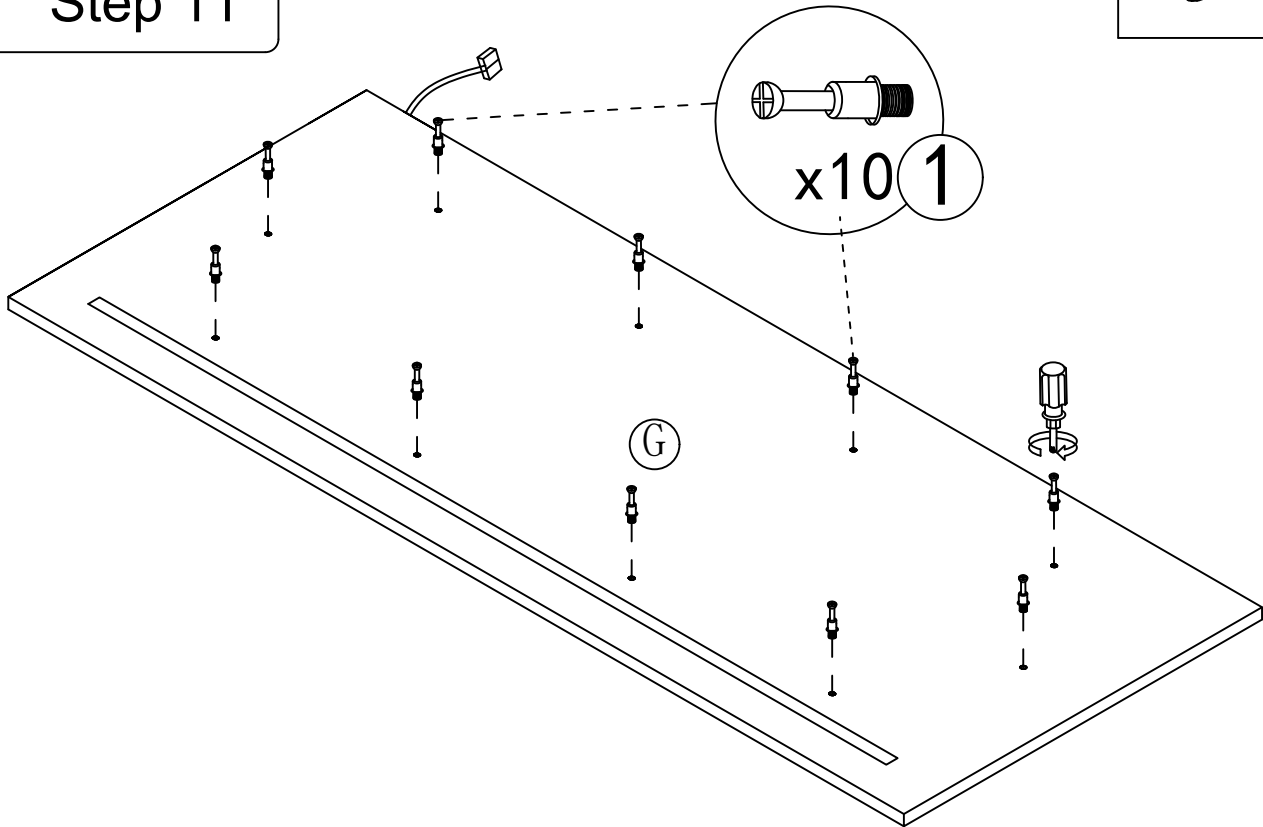
Step 10

2  x2




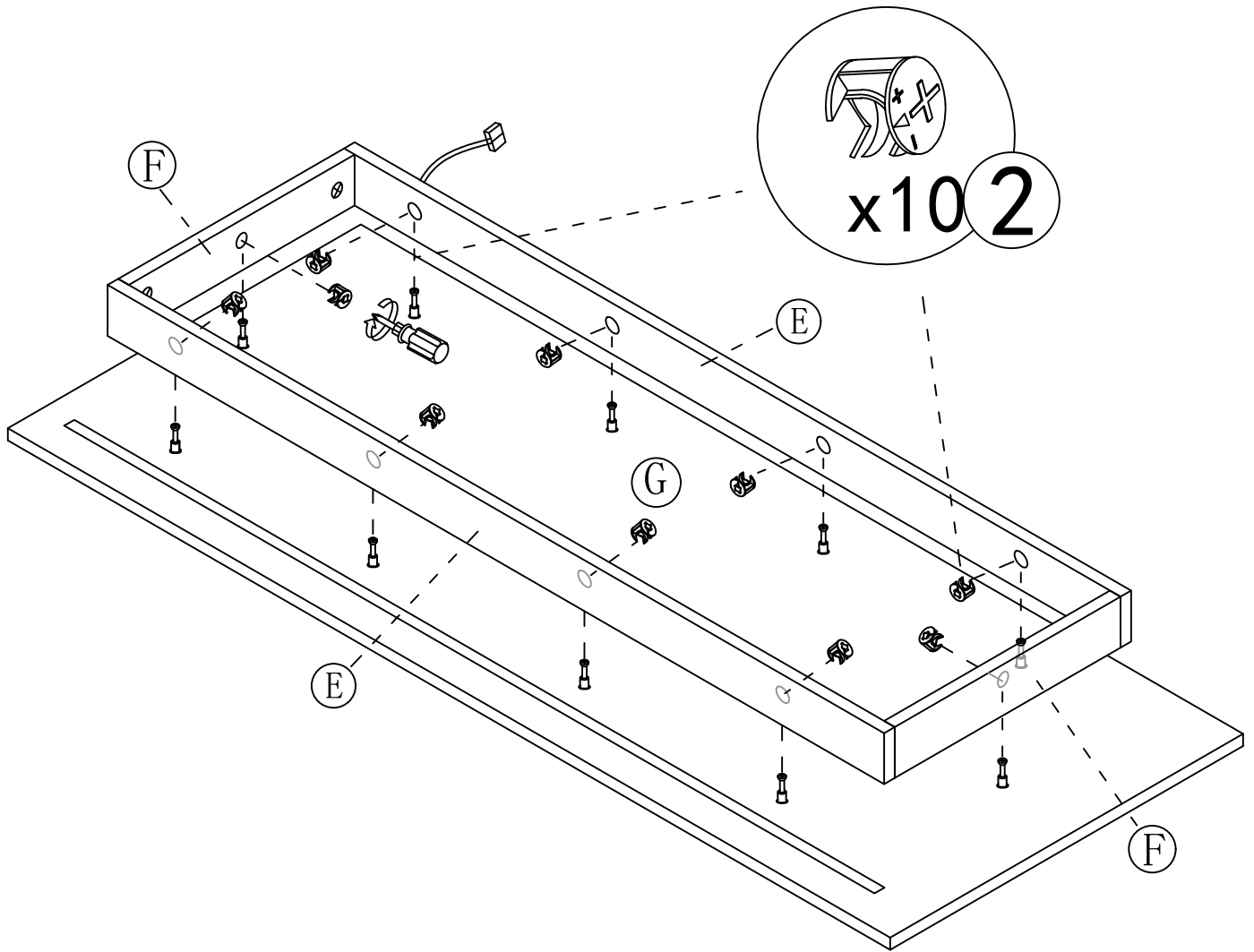
Step 11

1  x10



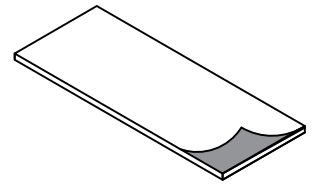
Step 12

2  x10



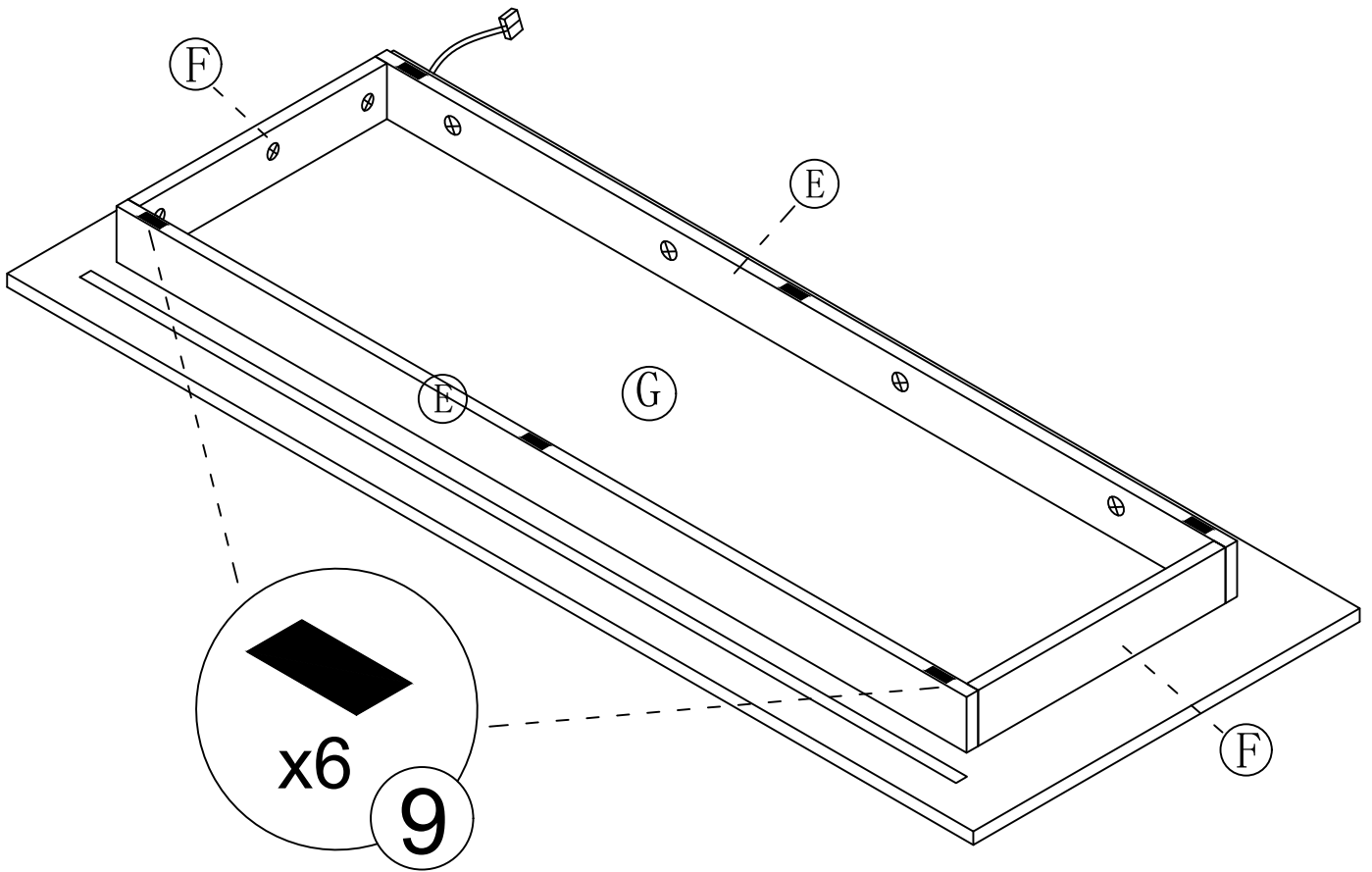
Step 13

9

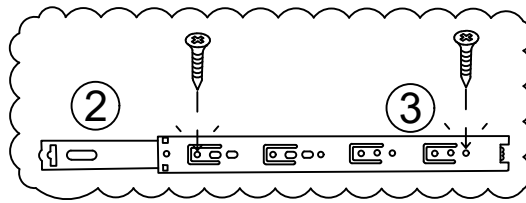


x6

Tear off release paper and stick the black foot pad on the board



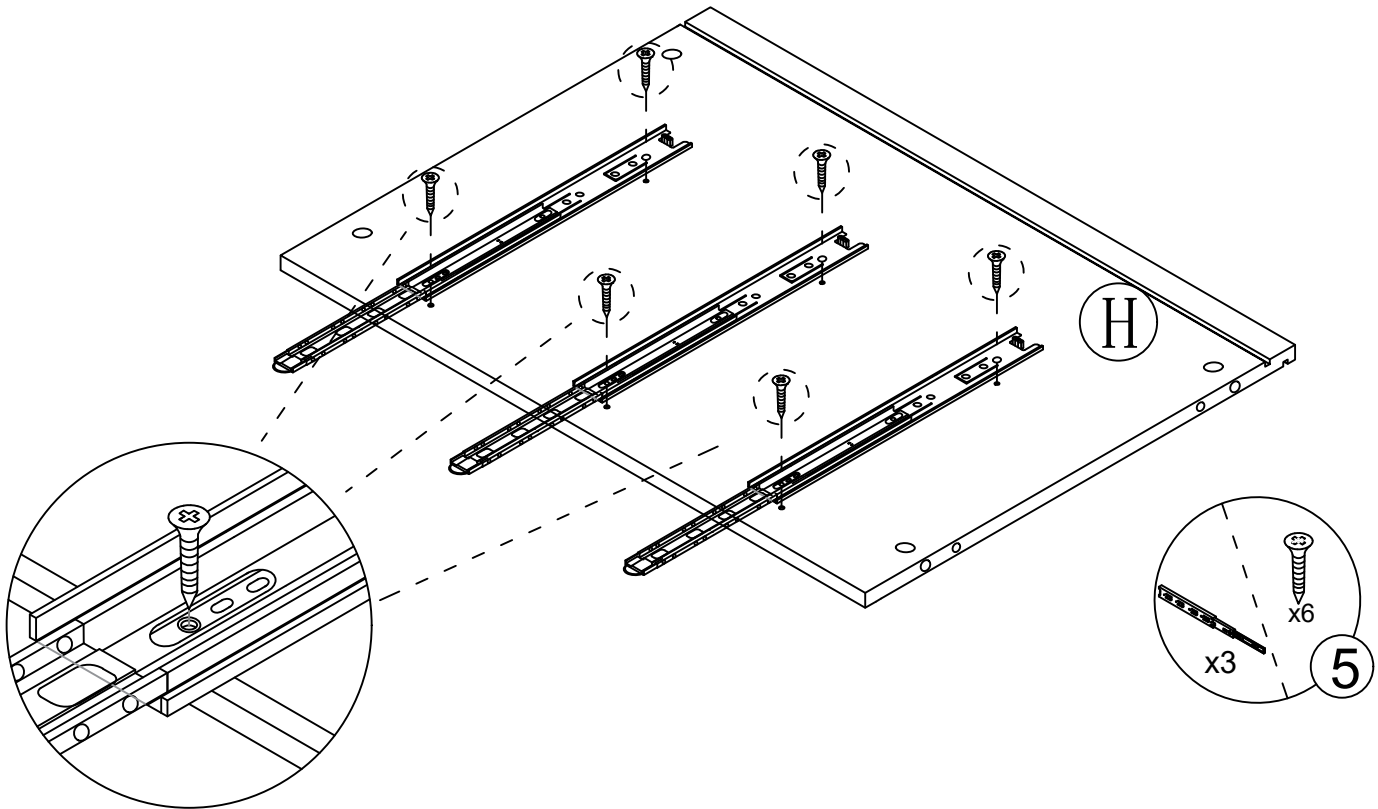
Step 14



5

x3

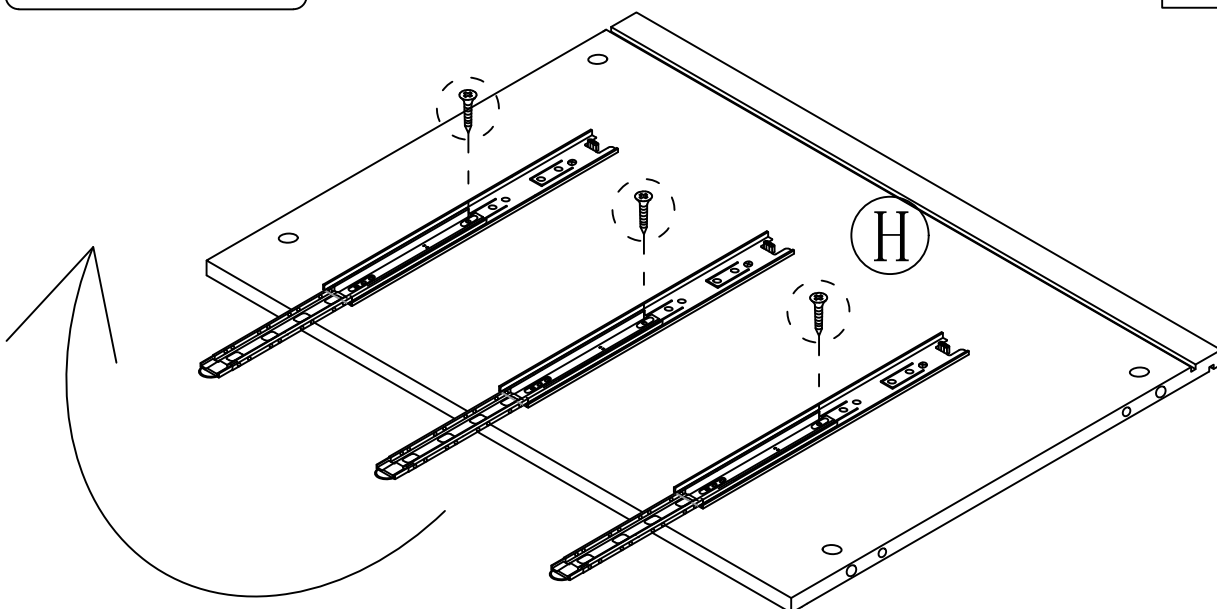
x6



Step 15

5

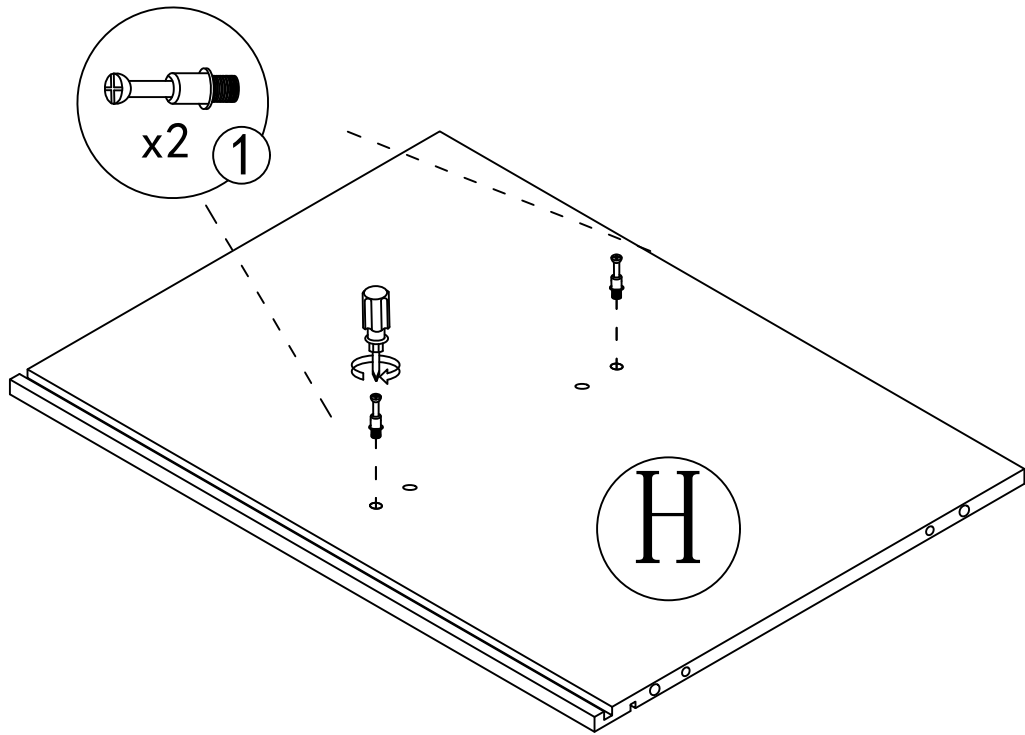
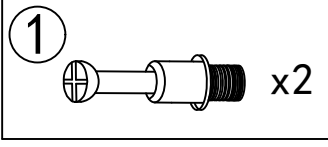
x3



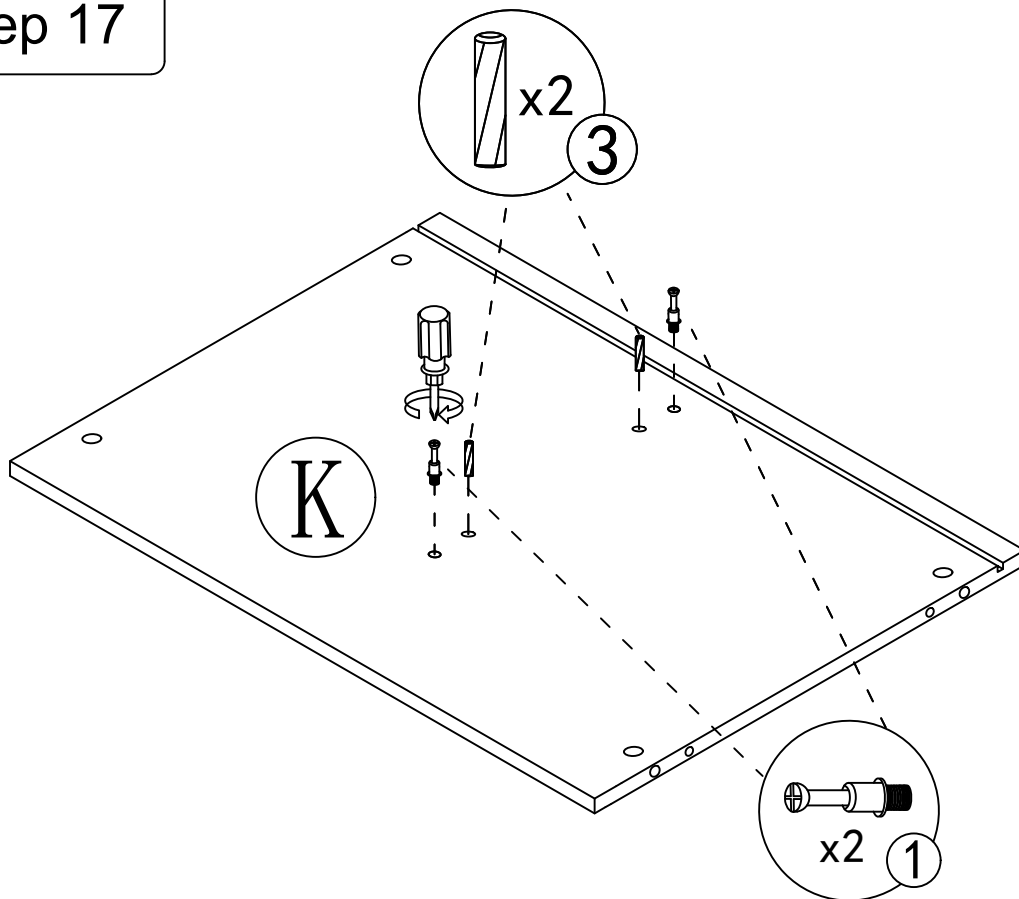
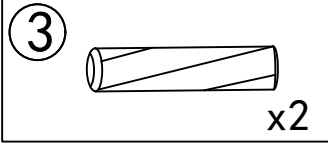
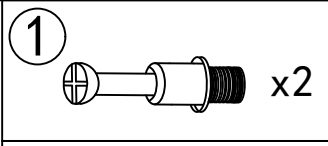
180°

This hole is for strengthening fixed hole customers can choose to install according to their needs.

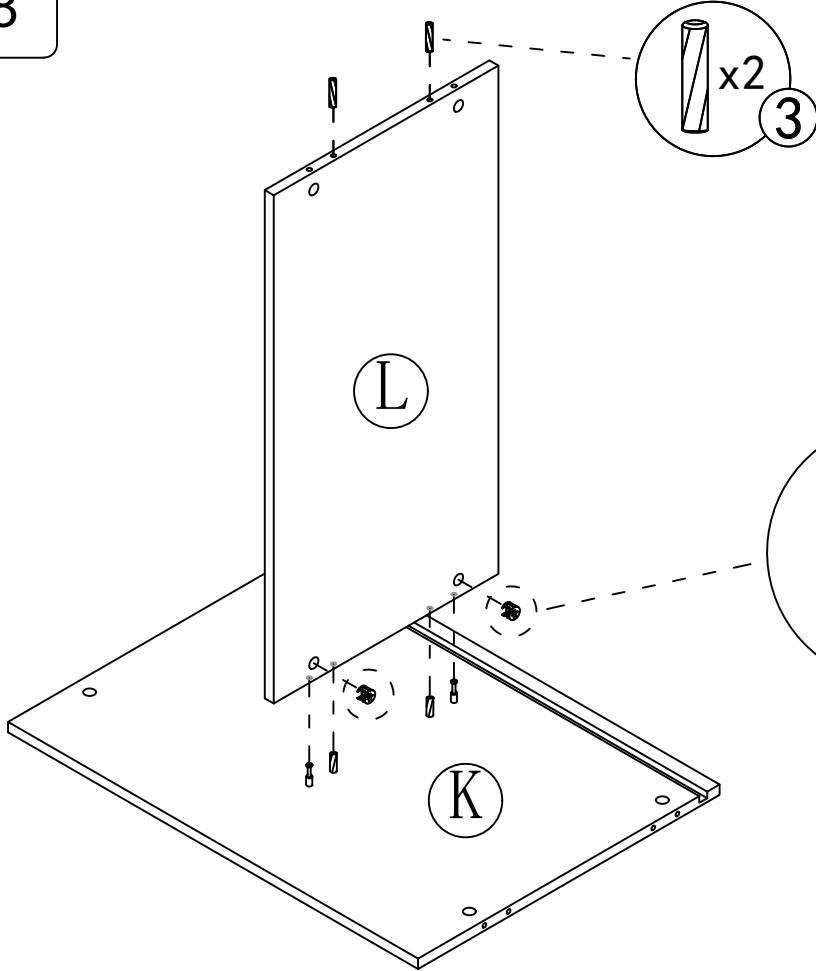
Step 16




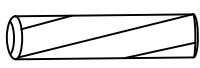
Step 17




Step 18

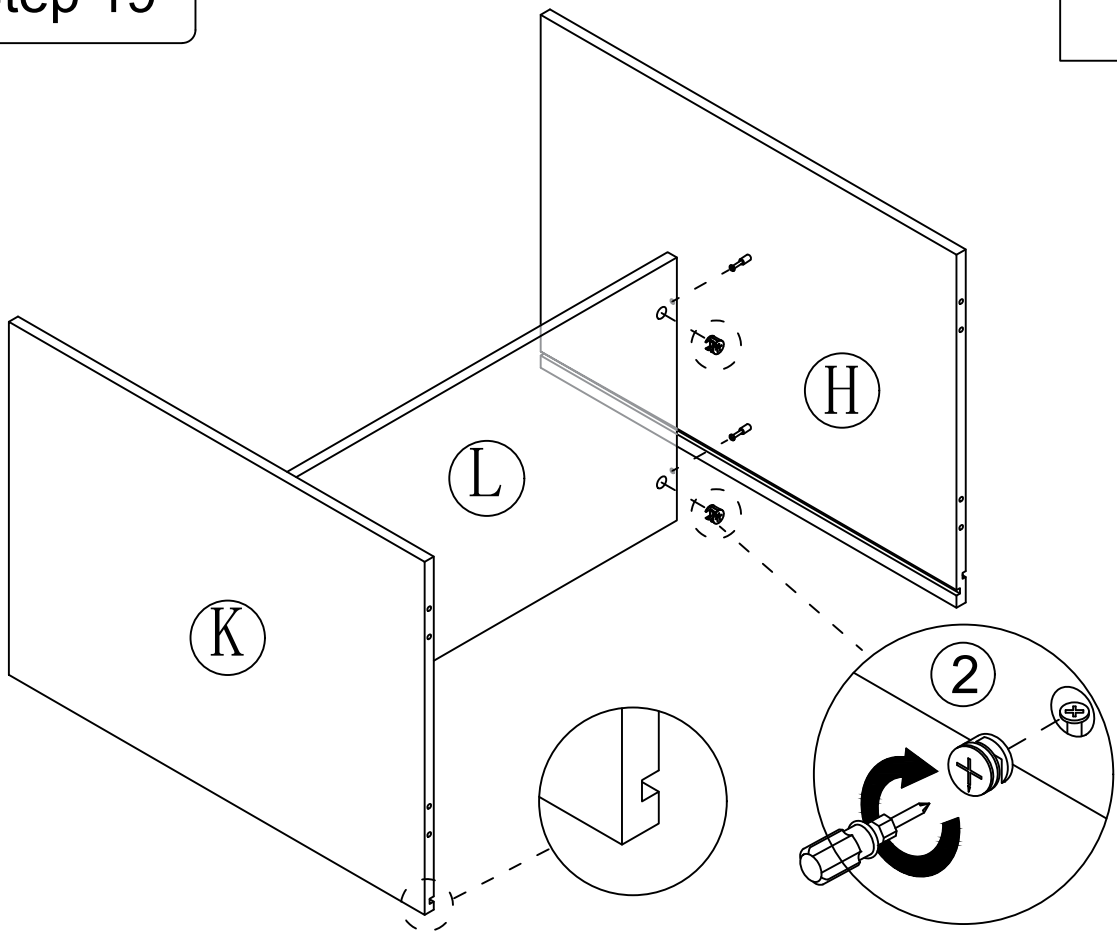


②  x2

③  x2

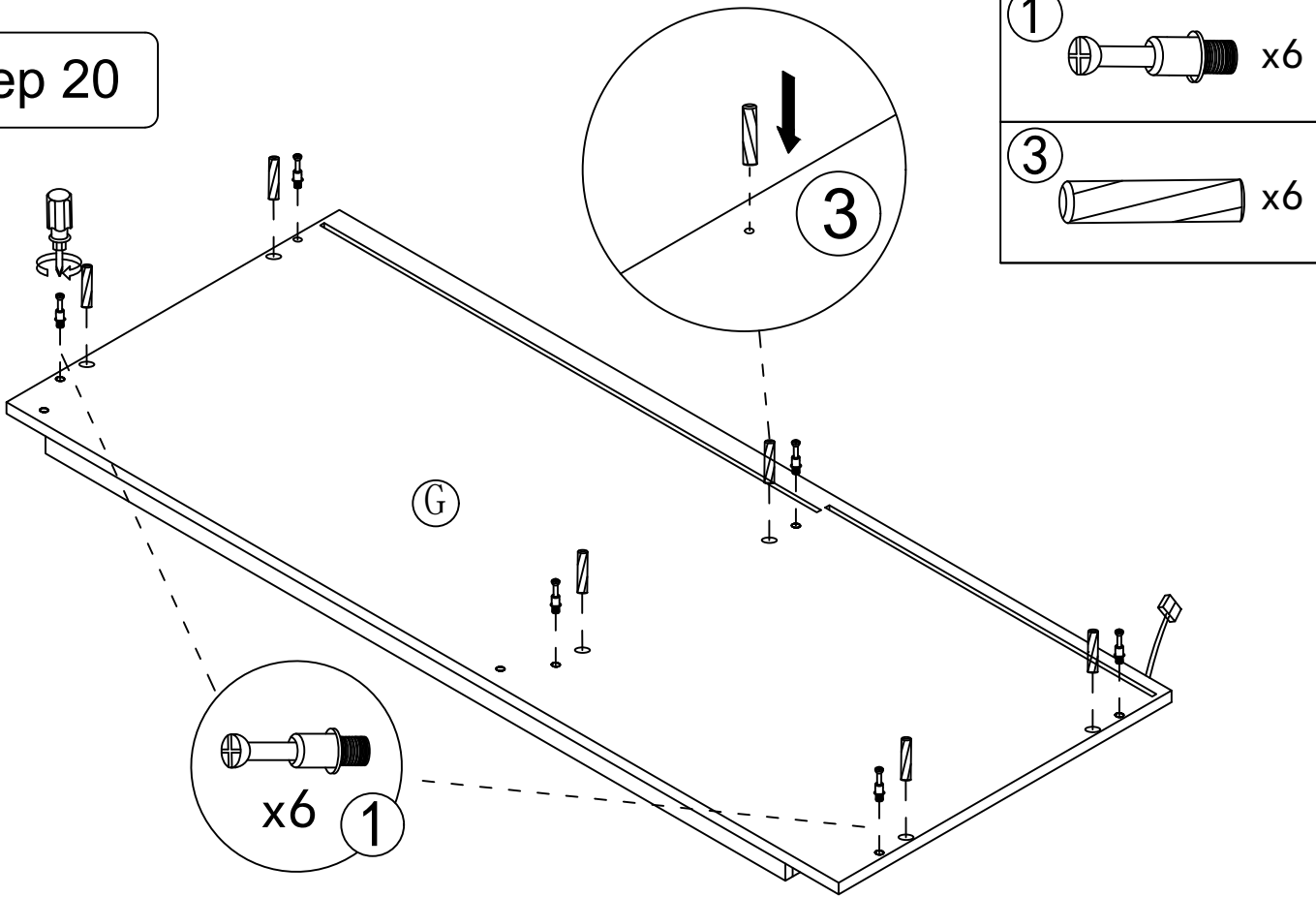
 x2 ②

Step 19

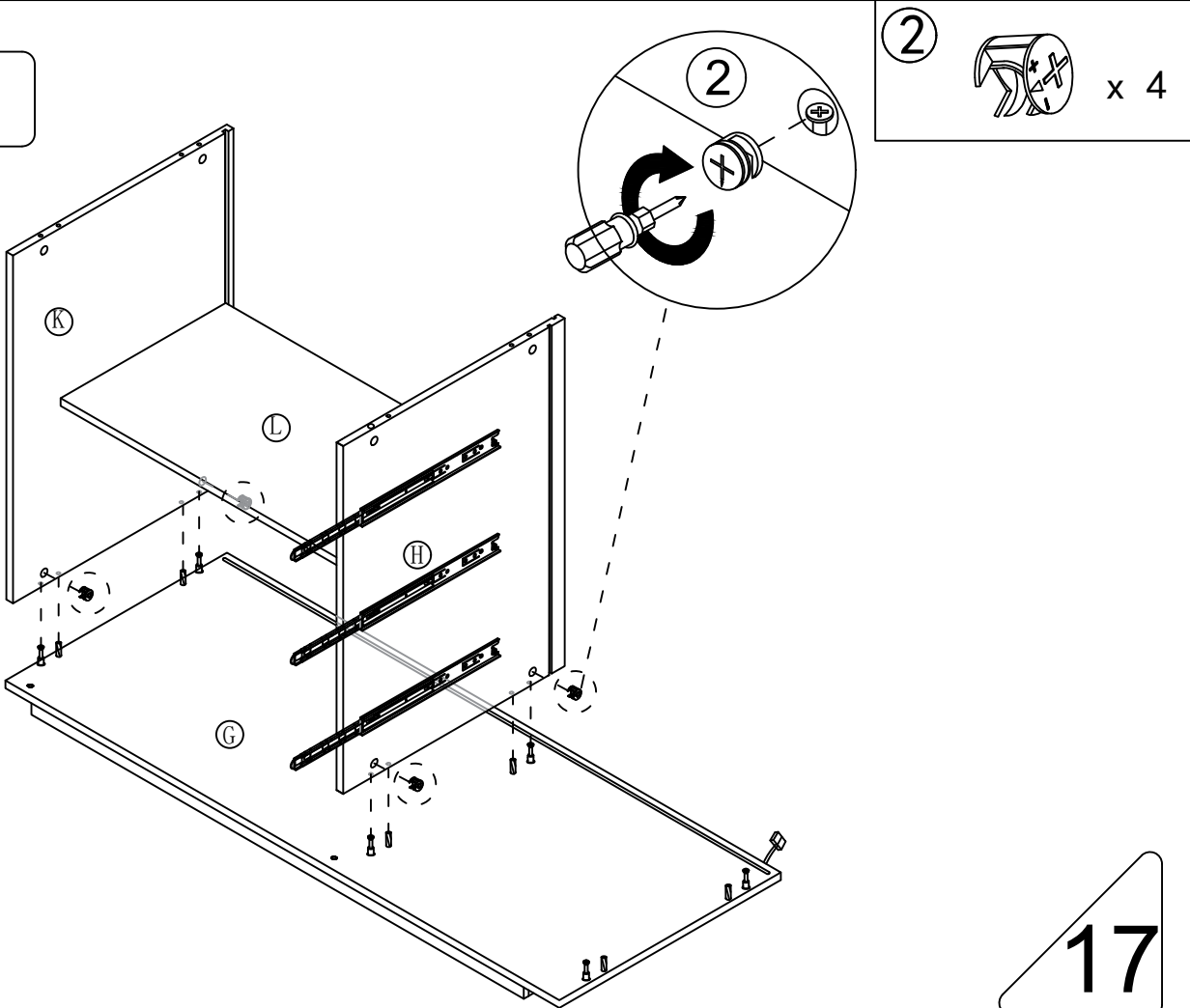


②  x2

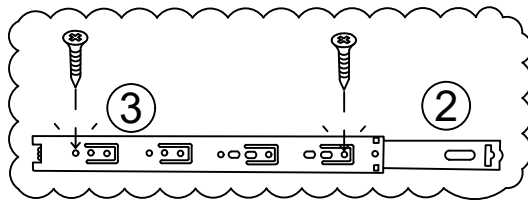
Step 20



Step 21



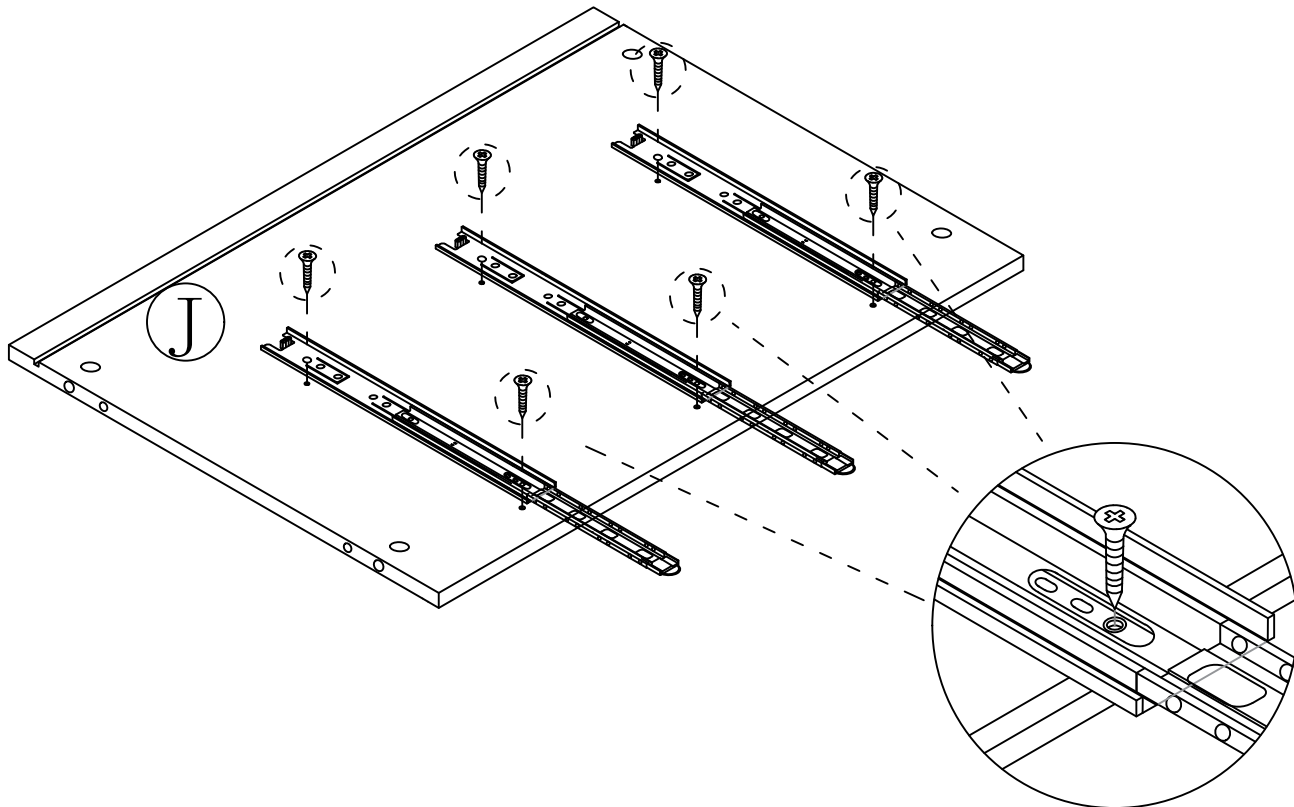
Step 22



5

x3

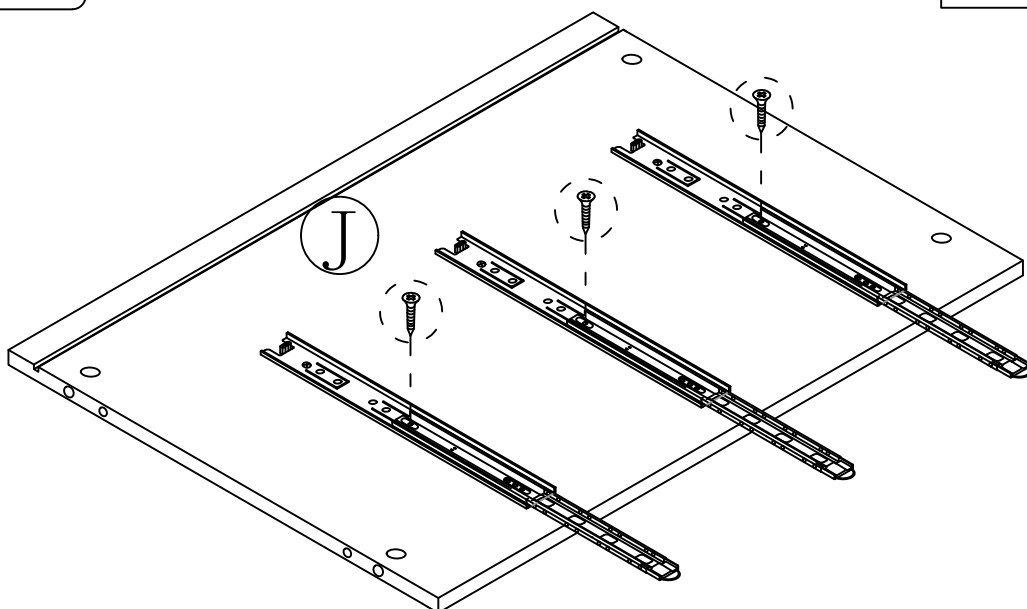
x6



Step 23


5

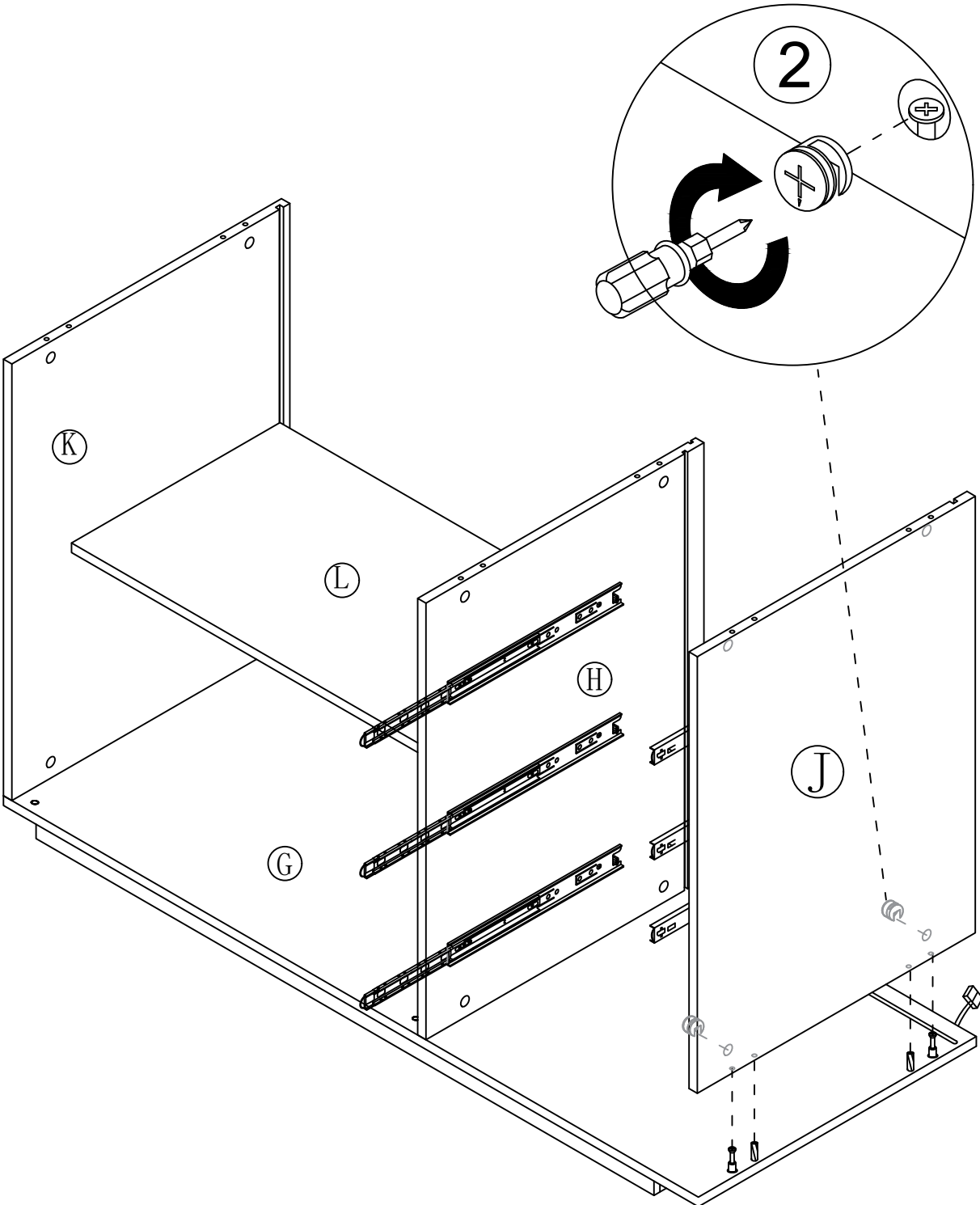
x3



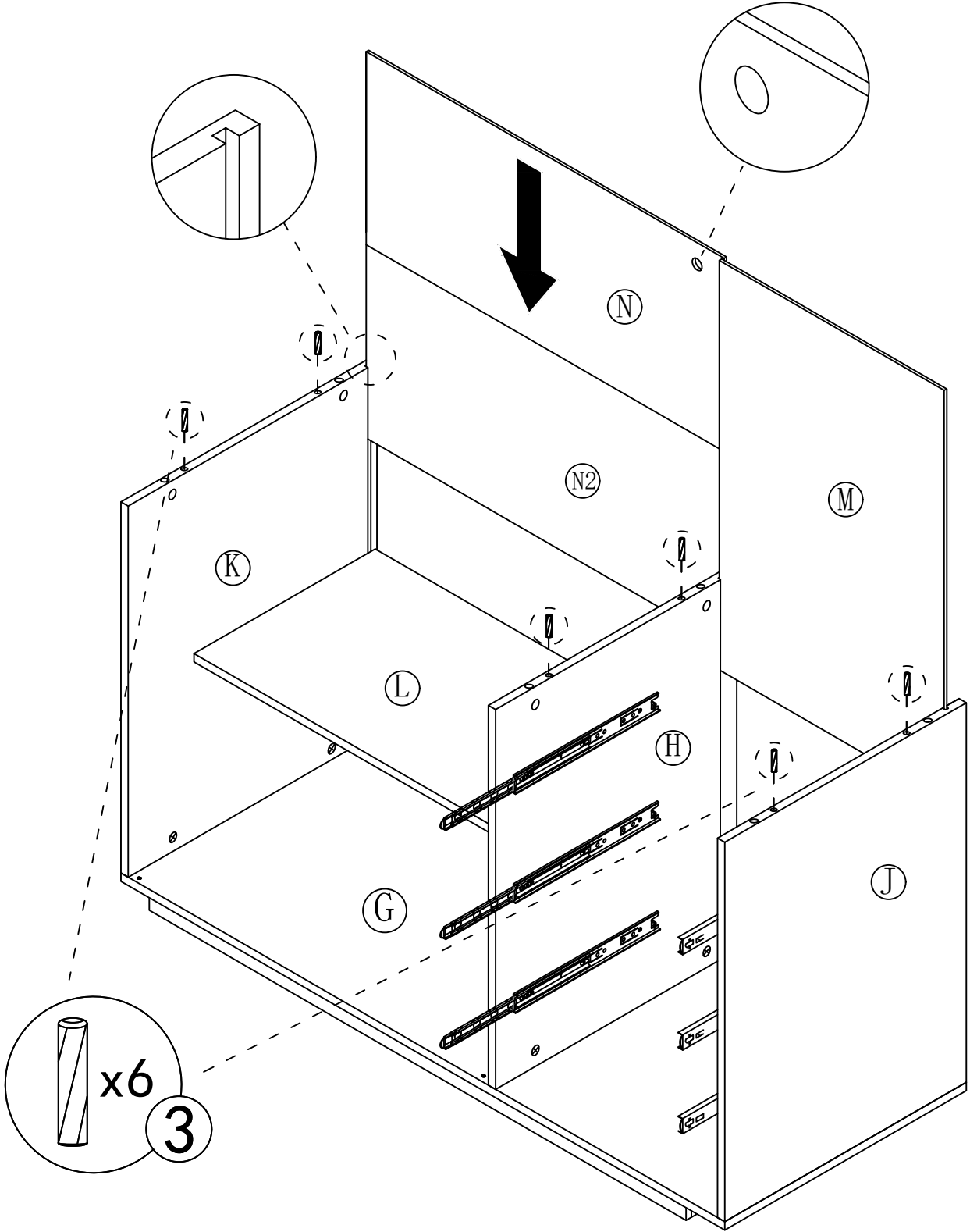
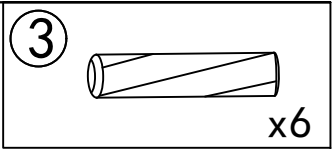
This hole is for strengthening fixed hole customers can choose to install according to their needs.

Step 24

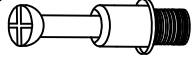
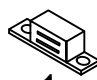

2  x2

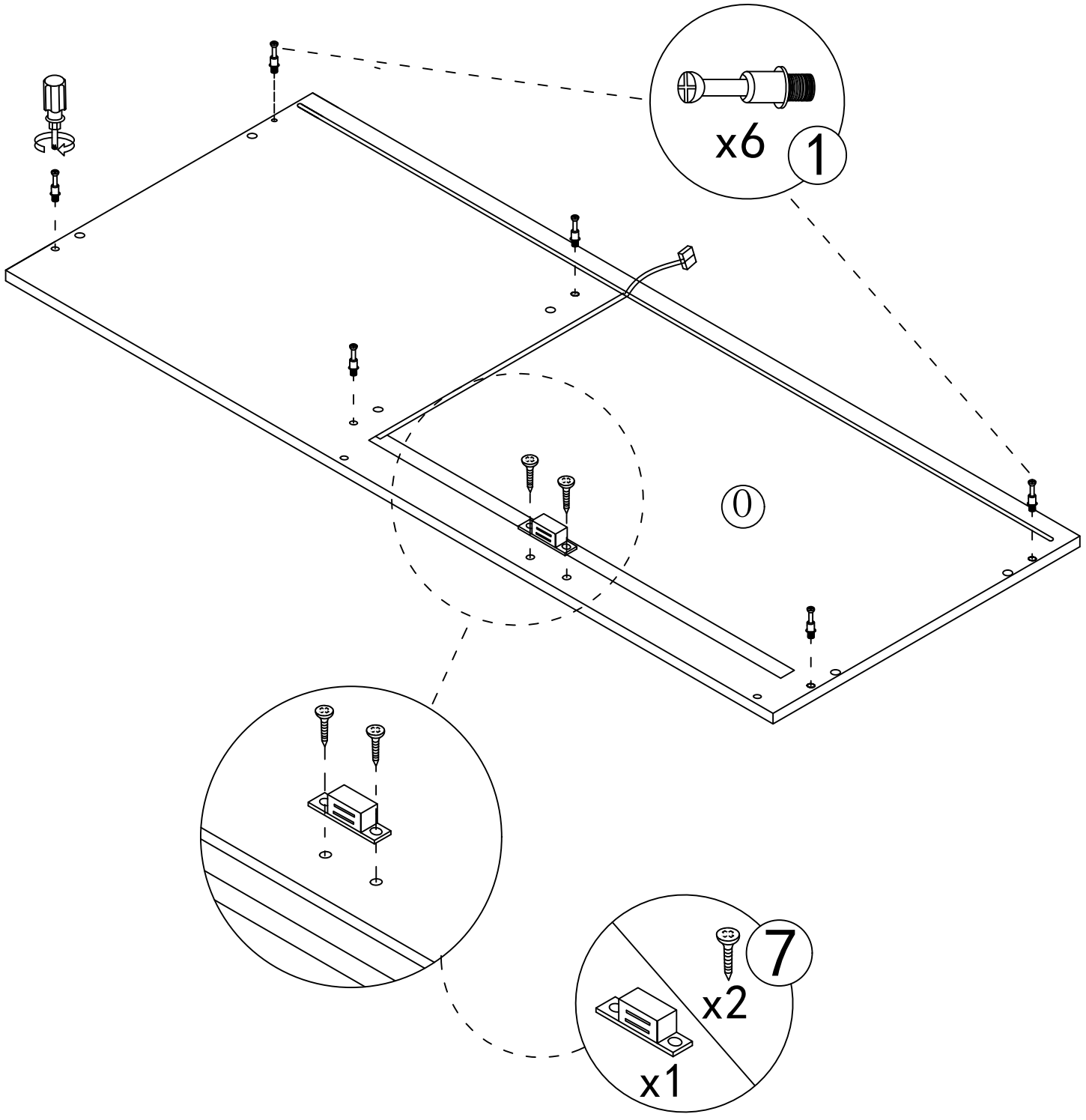


Step 25





Step 26

- ①  x6
- ⑦  x1  x2

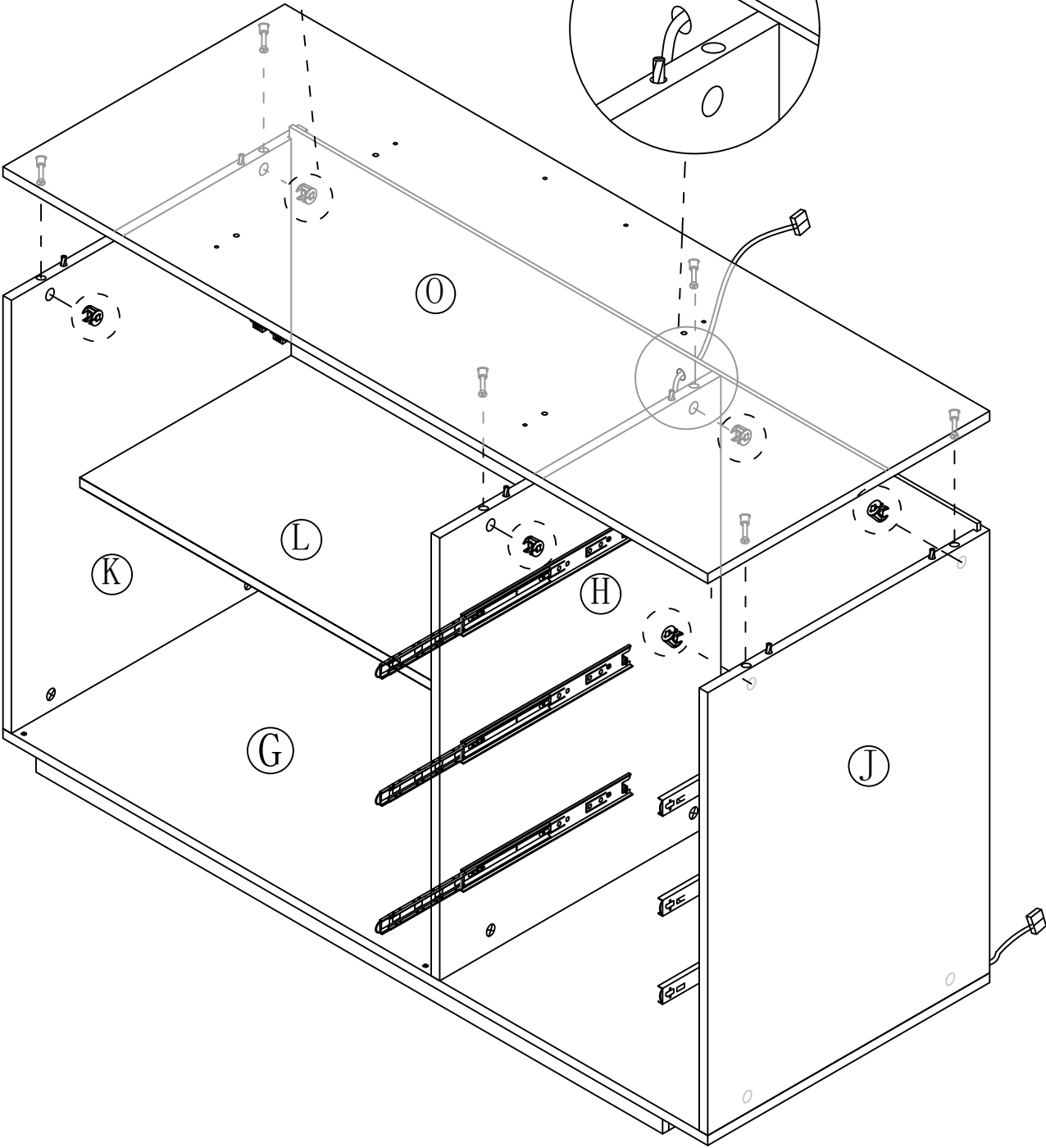
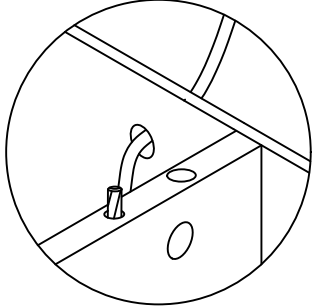


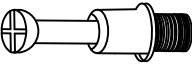

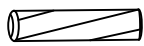





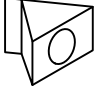

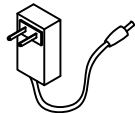
Step 27

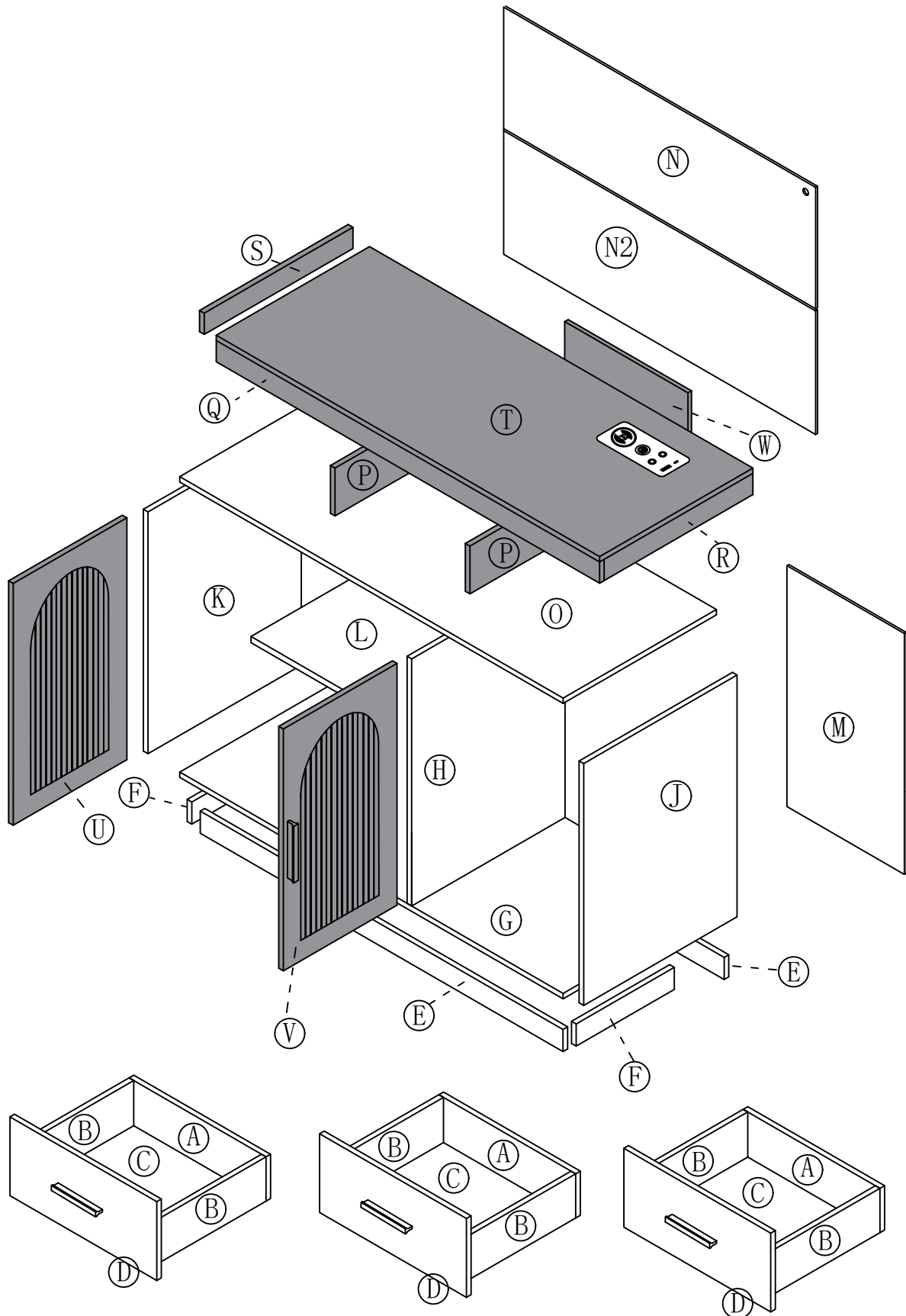
2  x6

 x6 2

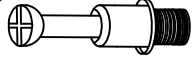
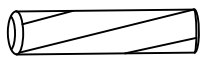
pay attention to

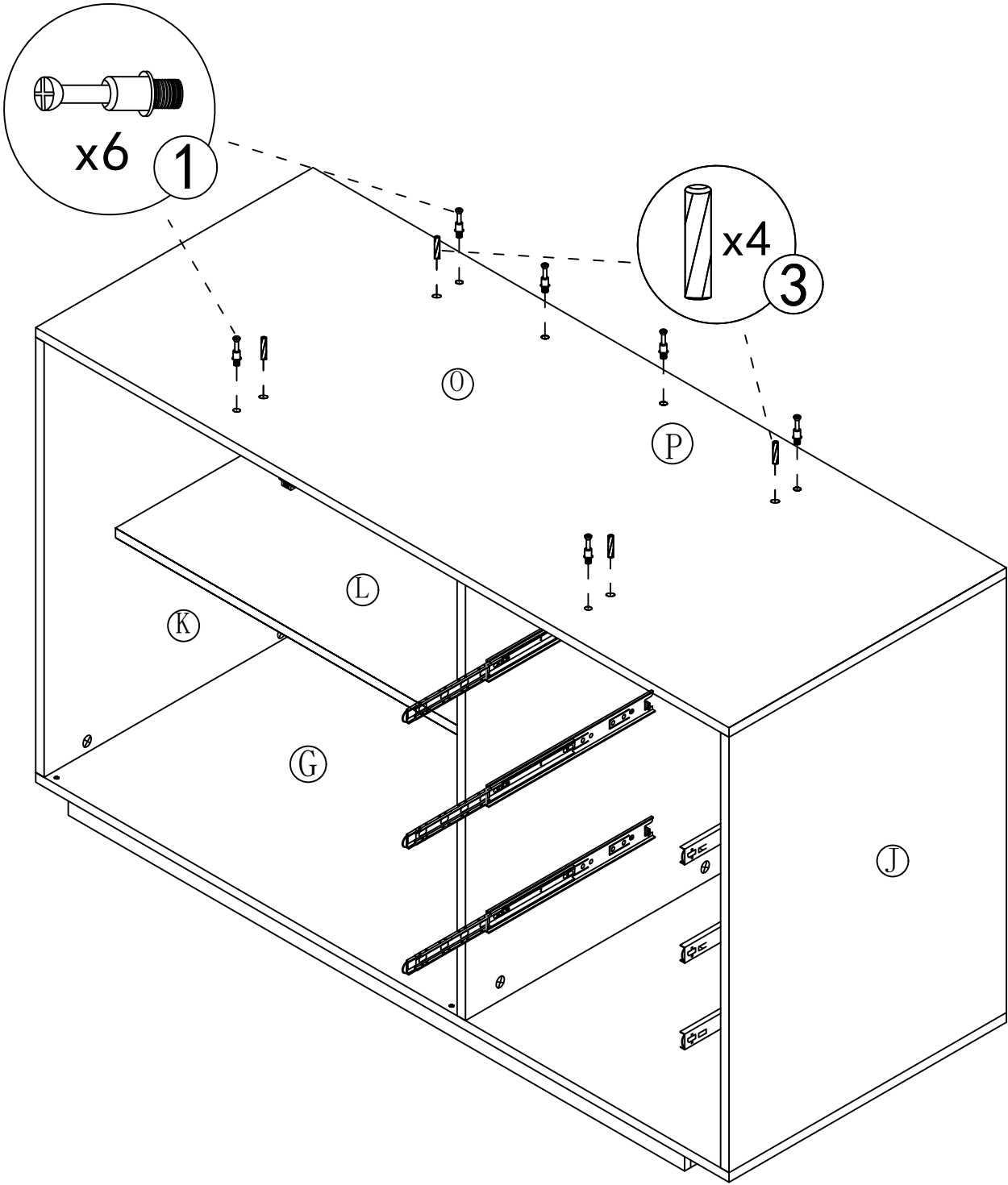


1		26pcs	2		26pcs	3		8pcs
4		2pcs	6		8pcs	8		2pcs
		4pcs						4pcs
10								
		8pcs						1pcs

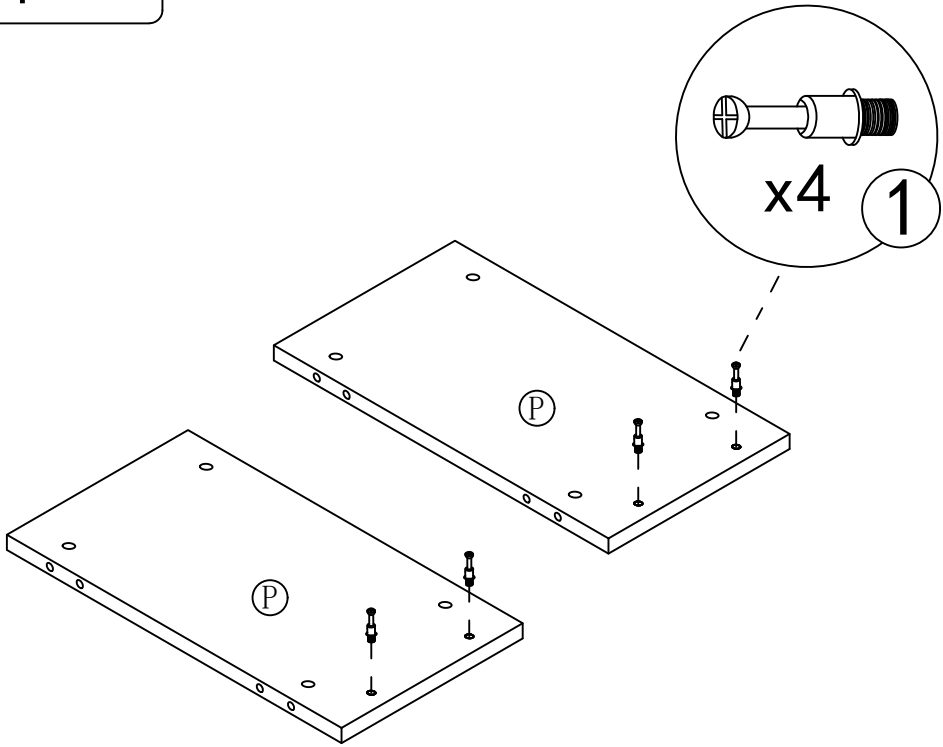
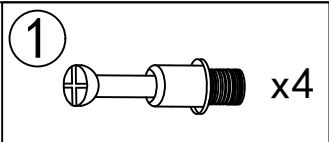


Step 28

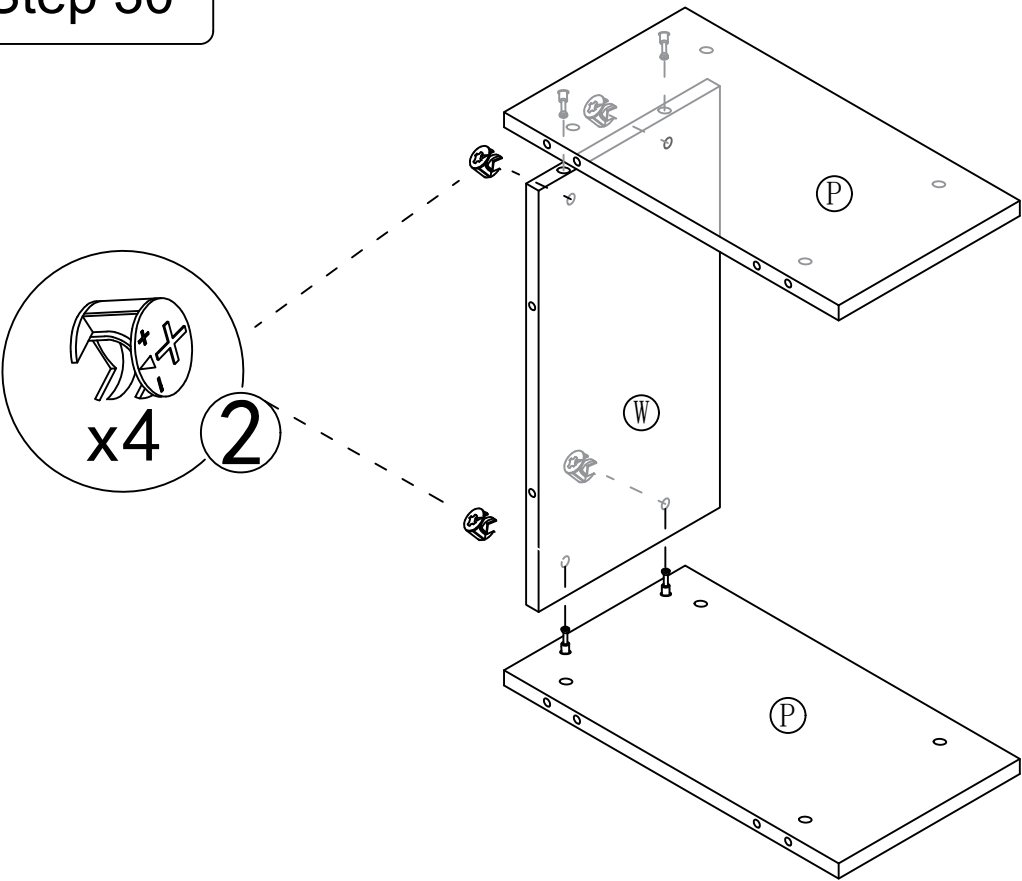
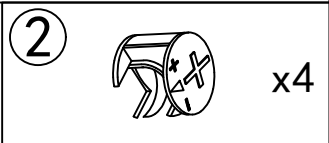
- ①  x6
- ③  x4




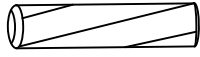
Step 29

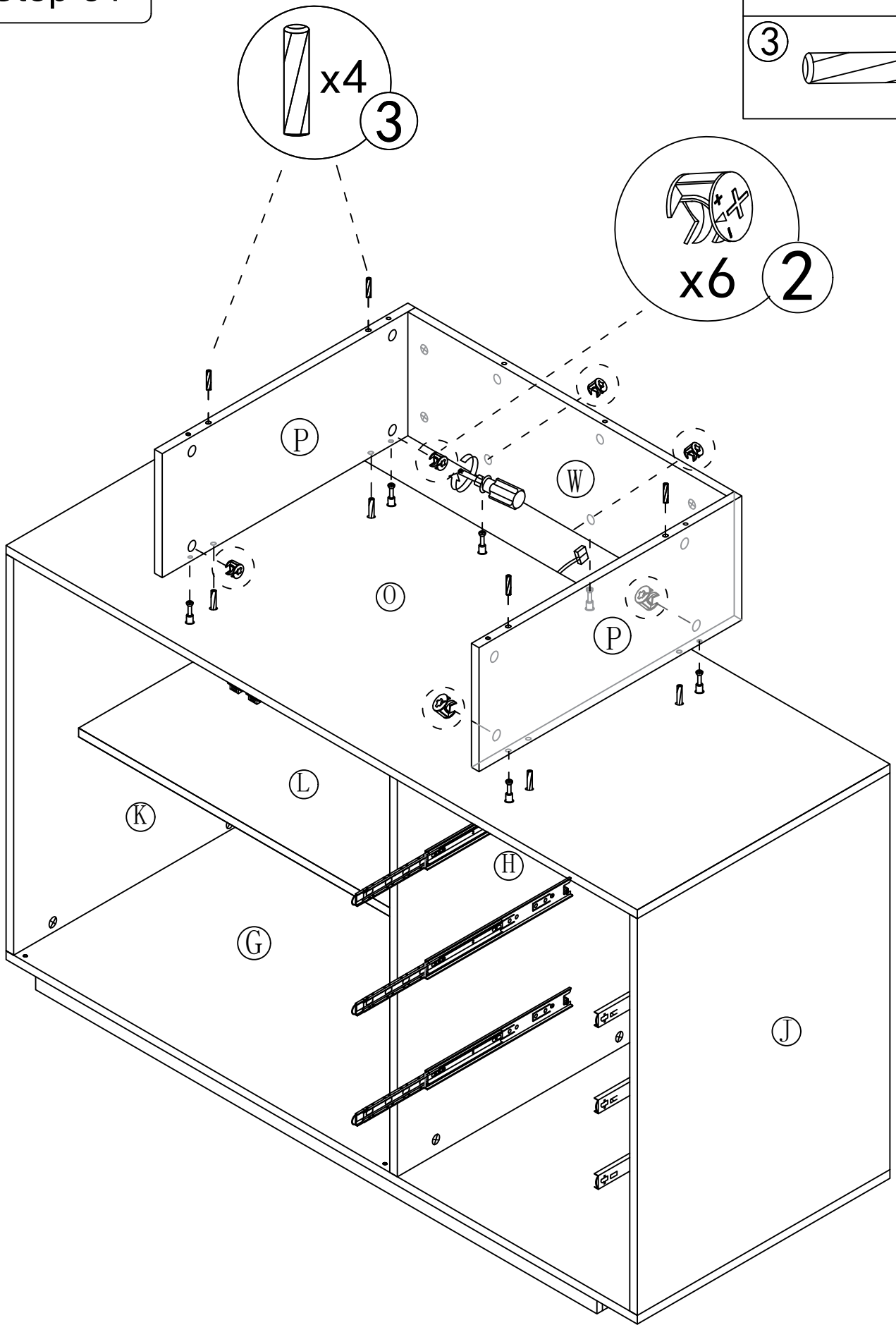


Step 30

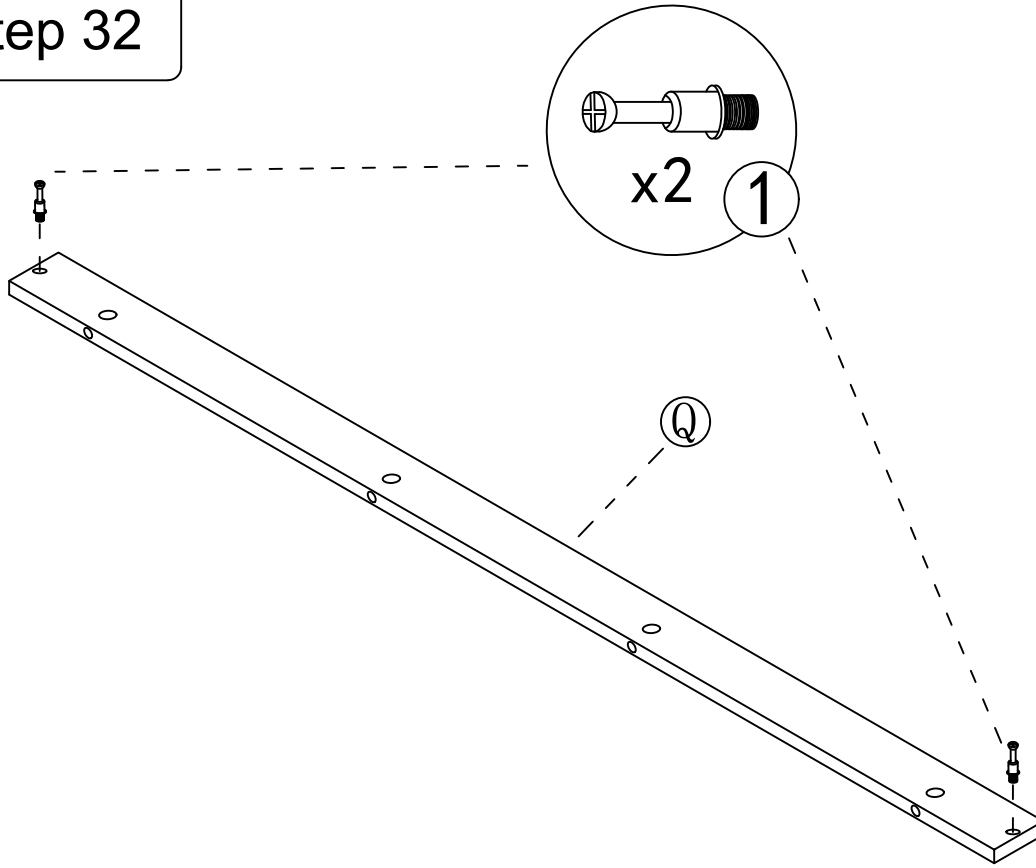
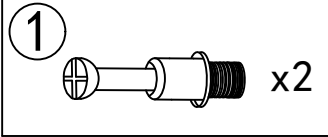


Step 31

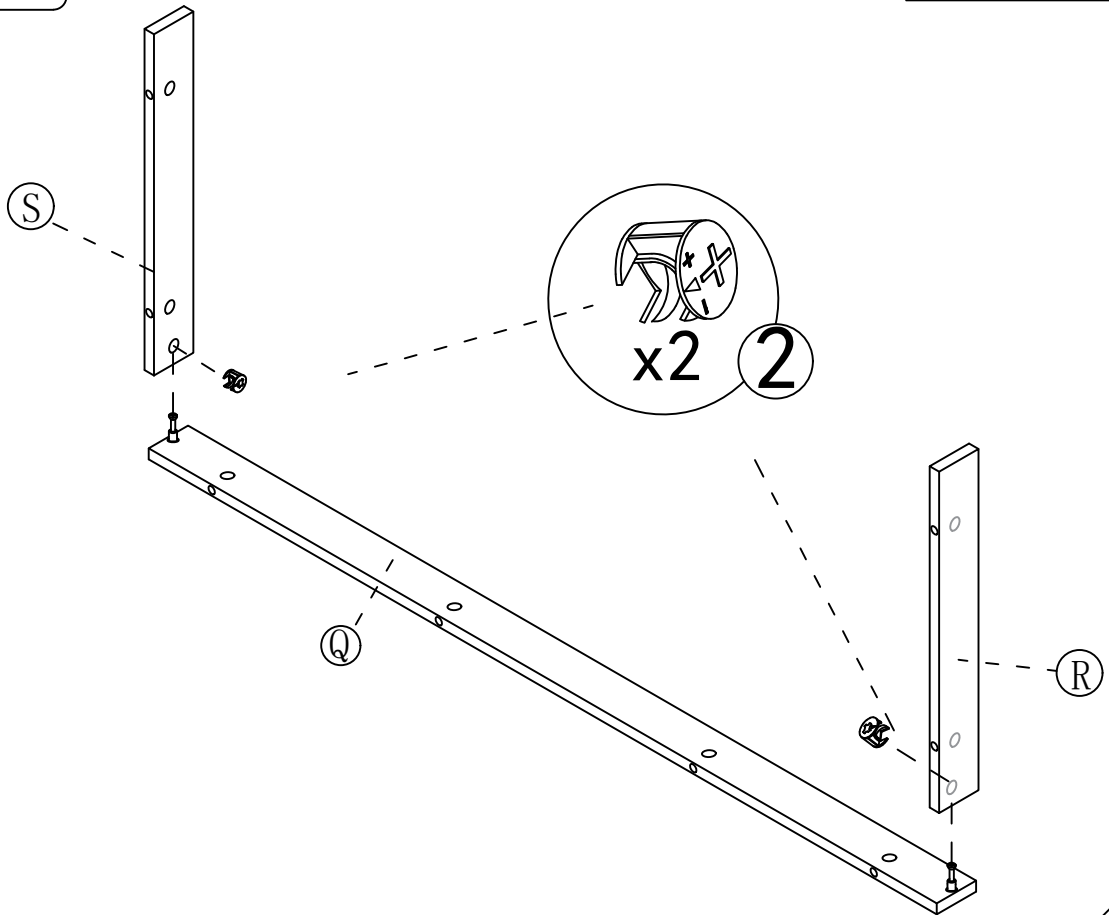
- ②  x6
- ③  x4



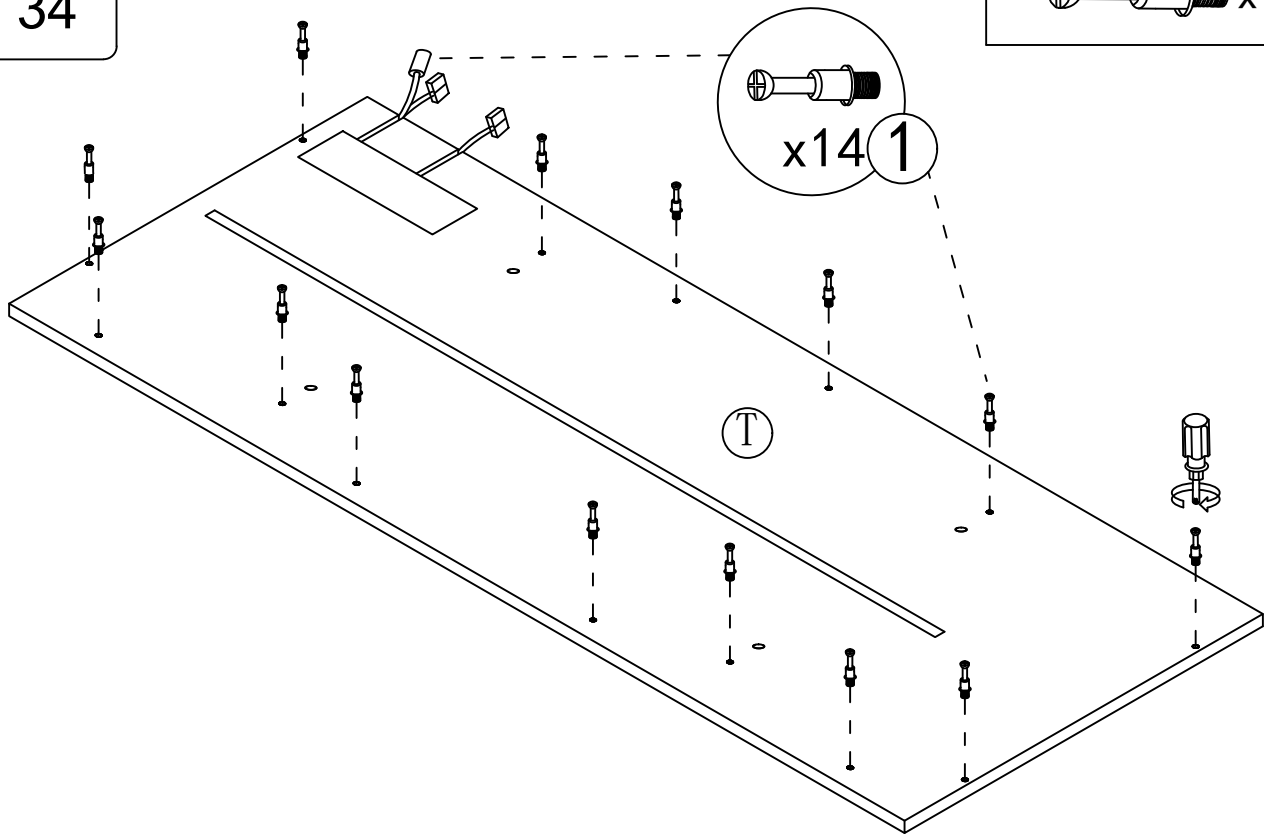
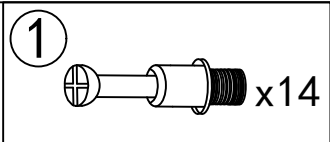
Step 32



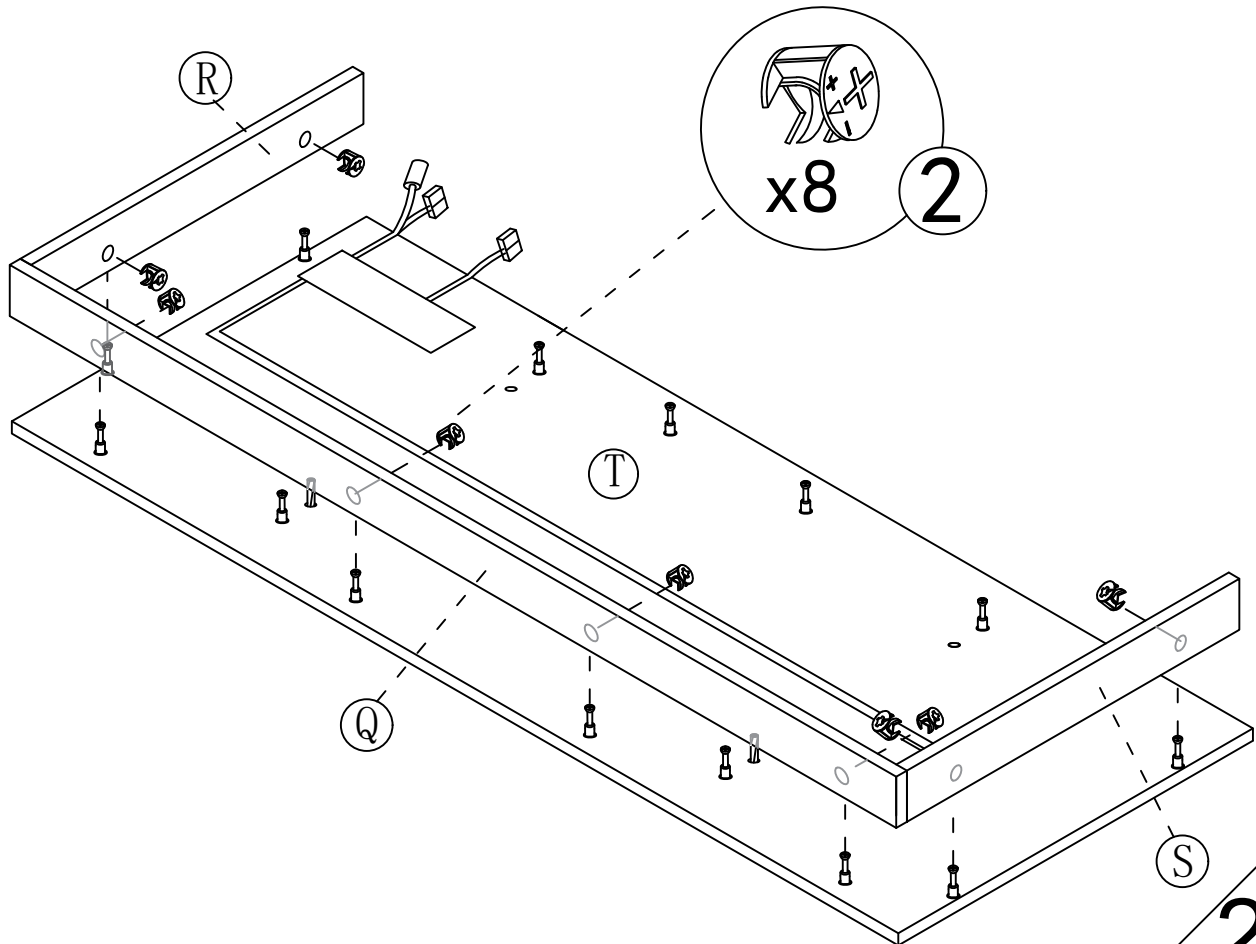
Step 33



Step 34



Step 35

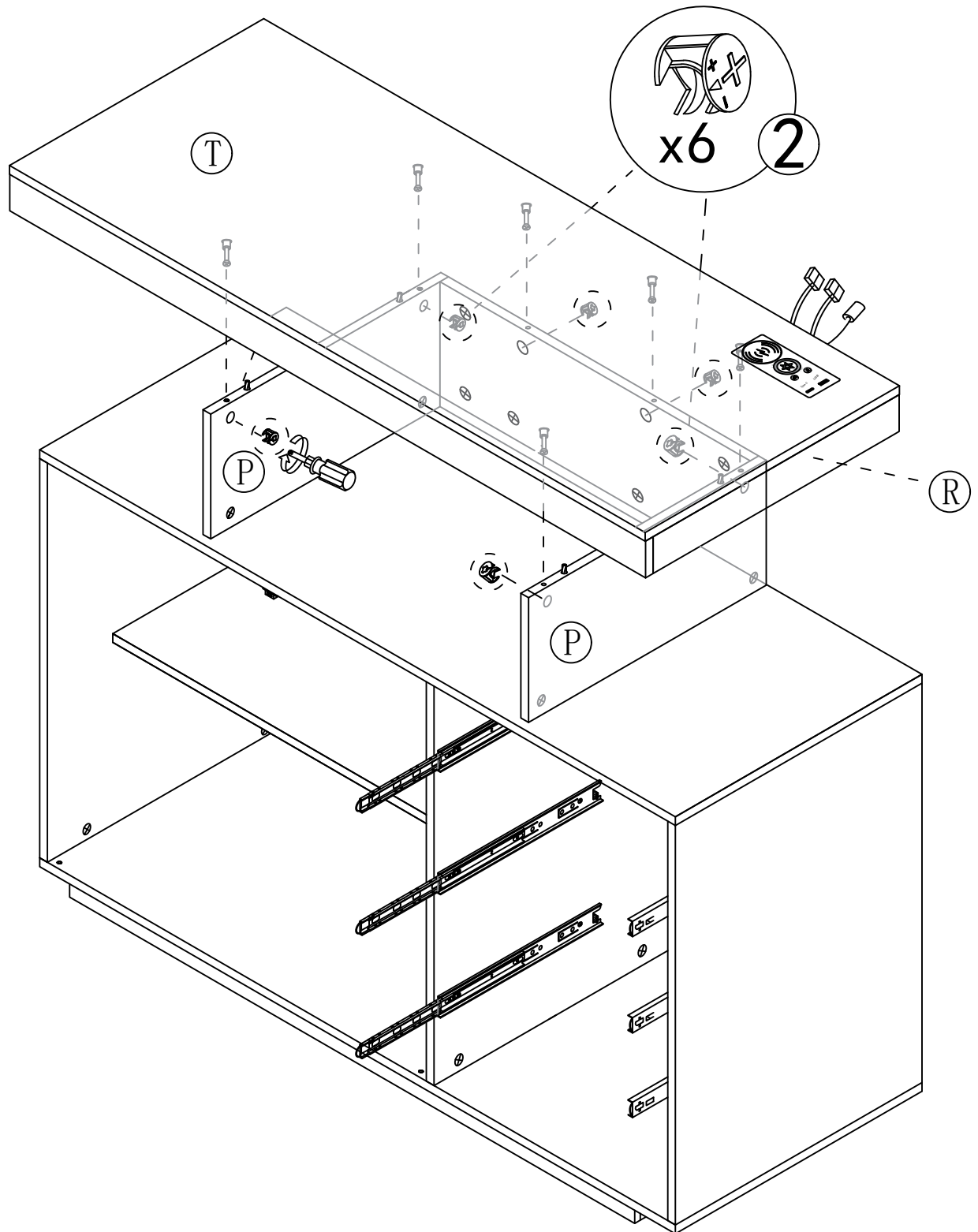


Step 36

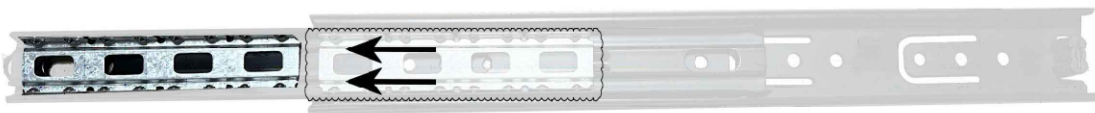
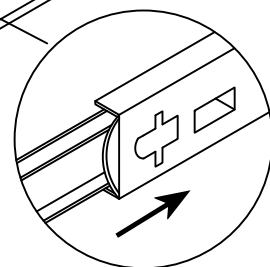
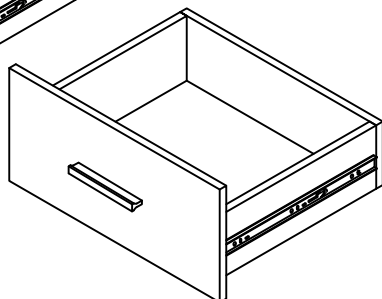
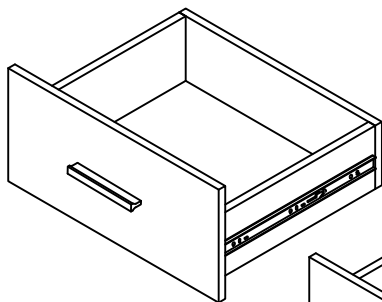
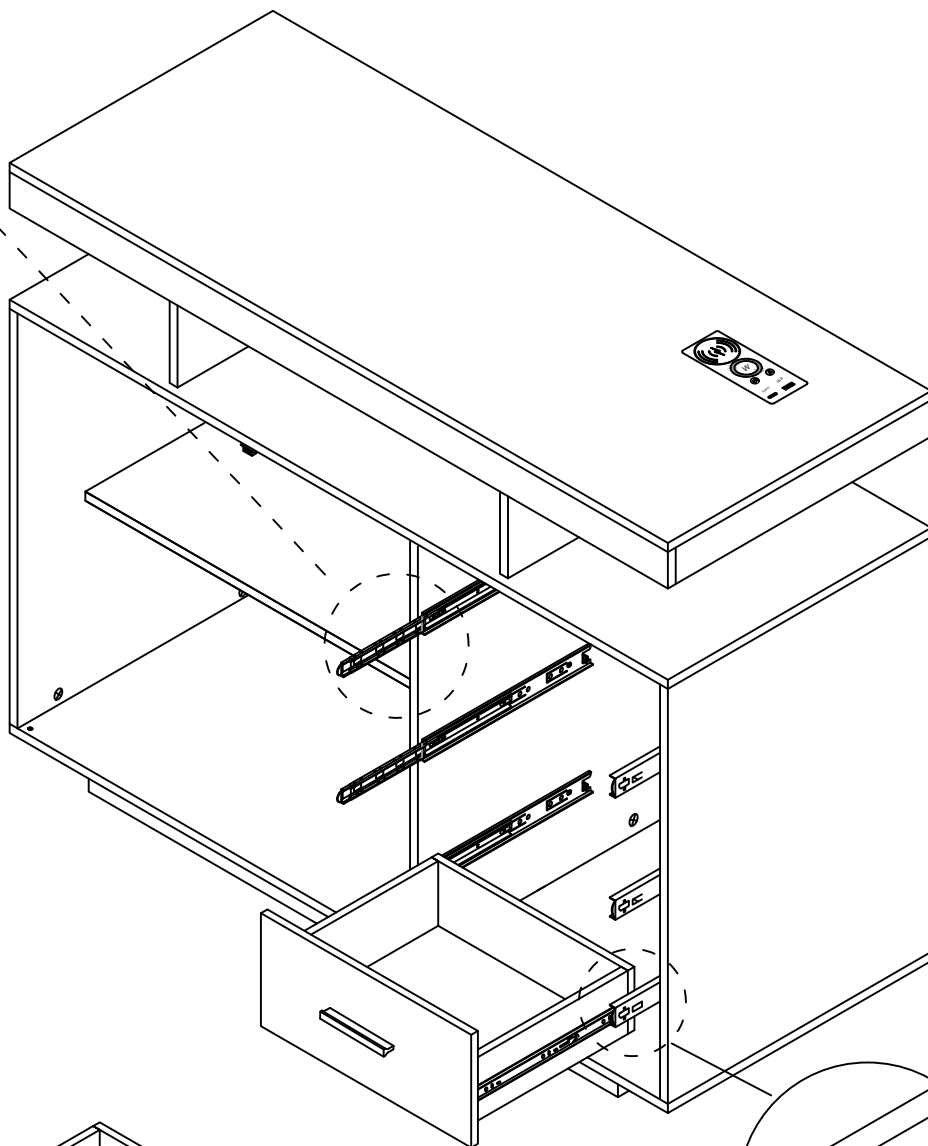
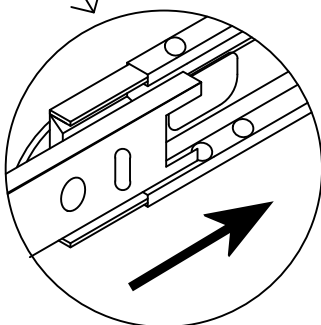
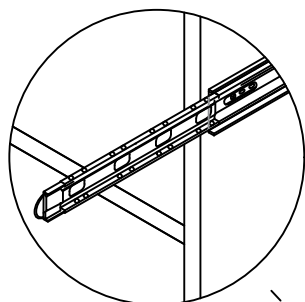
2



x6

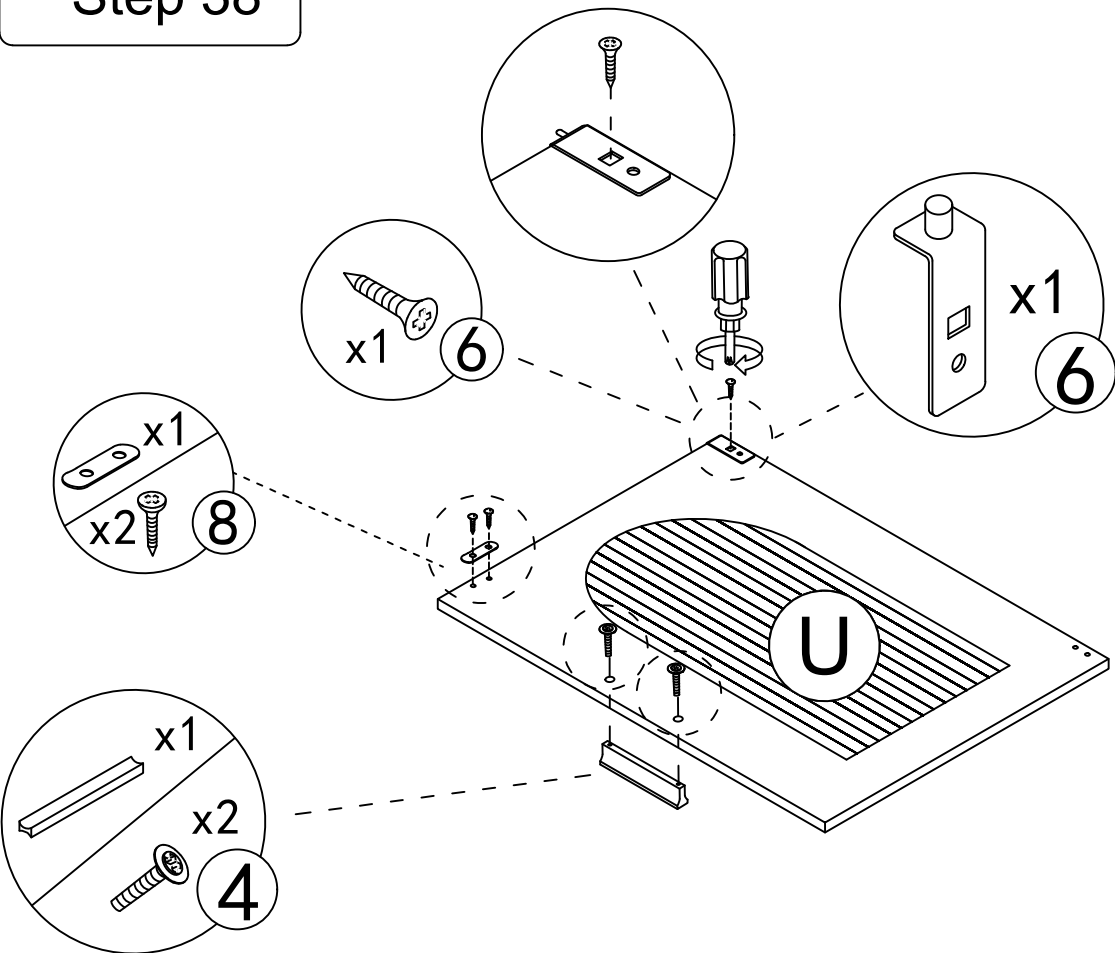


Step 37



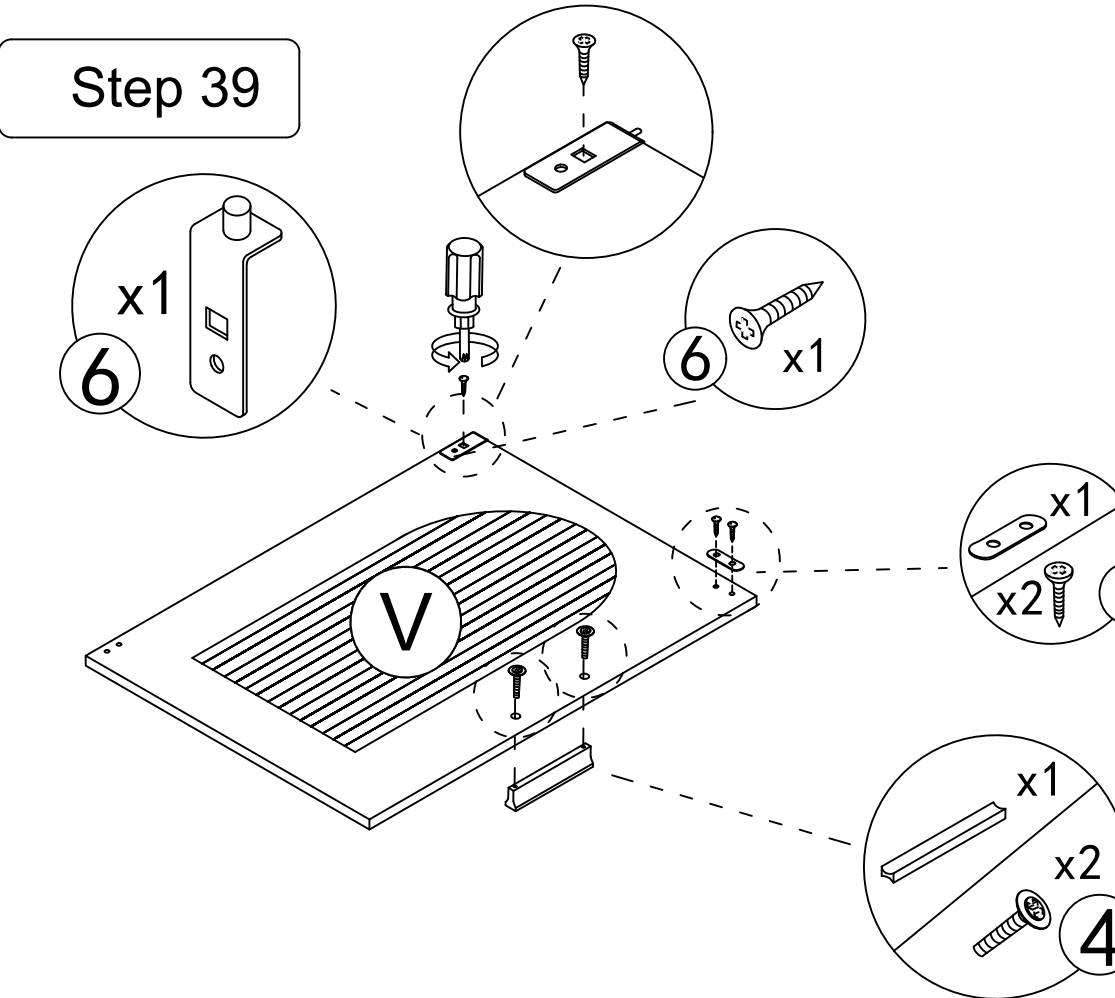
As shown, When installing the drawer, pull the guide rail out first, Slide beads are also pulled out.

Step 38



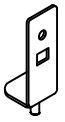
- | | | |
|----|--|----|
| 6 | | |
| x1 | | x1 |
| 8 | | |
| x1 | | x2 |
| 4 | | |
| x1 | | x2 |

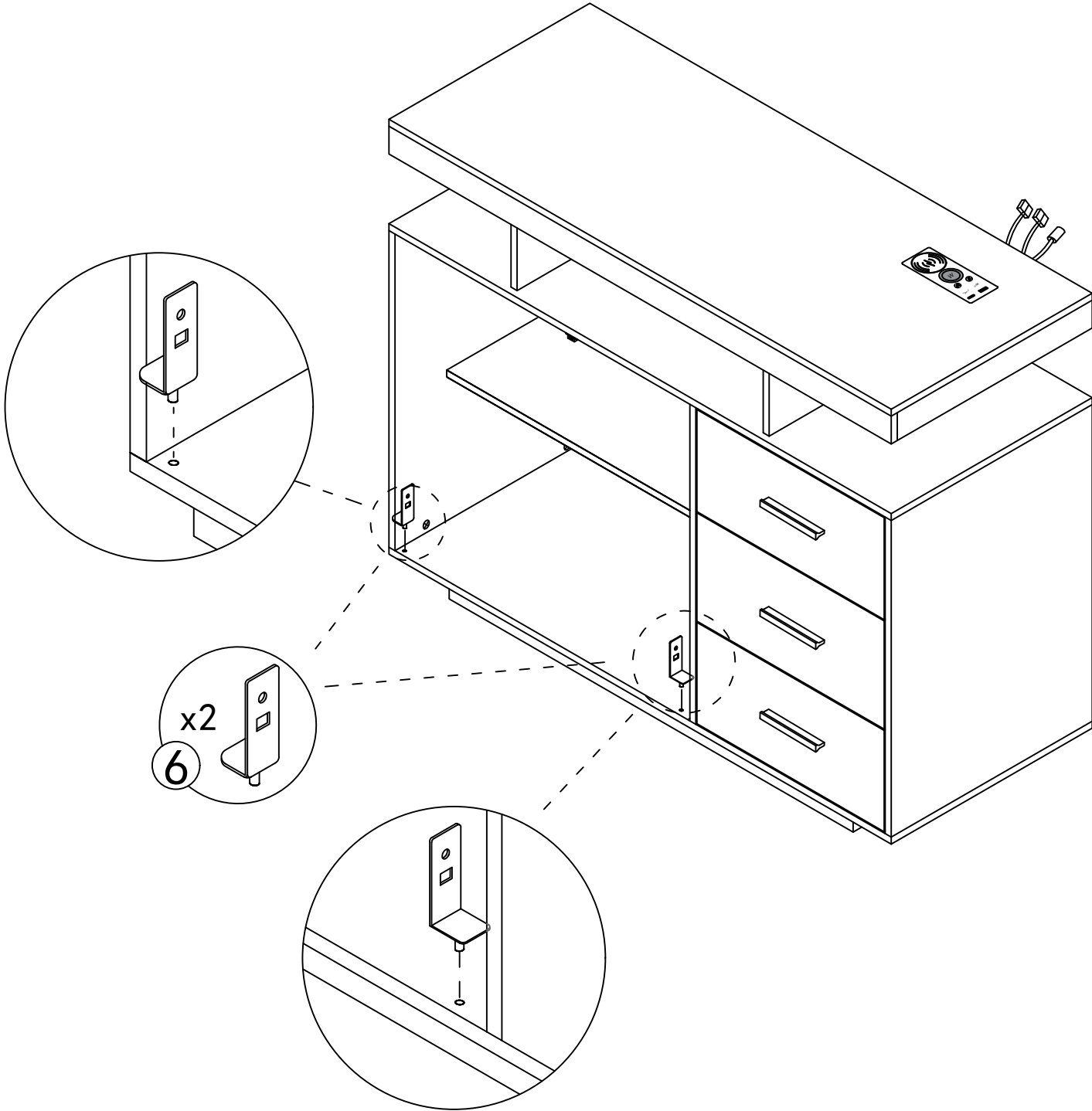
Step 39



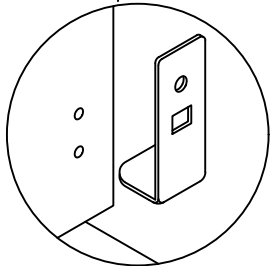
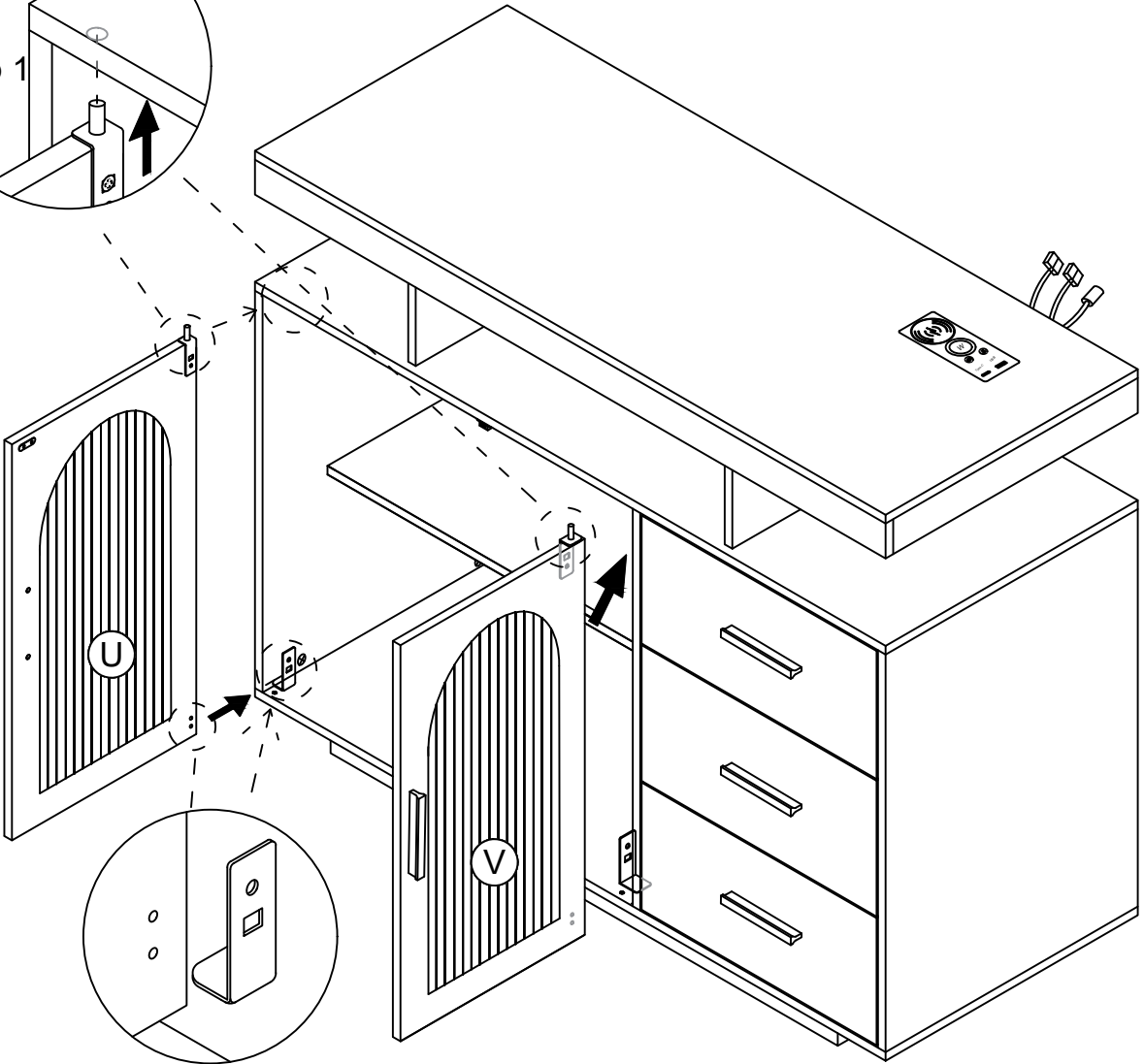
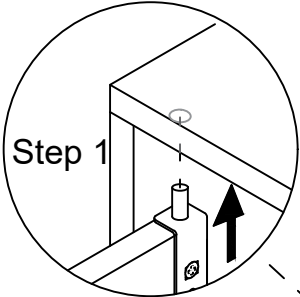
- | | | |
|----|--|----|
| 6 | | |
| x1 | | x1 |
| 8 | | |
| x1 | | x2 |
| 4 | | |
| x1 | | x2 |

Step 40

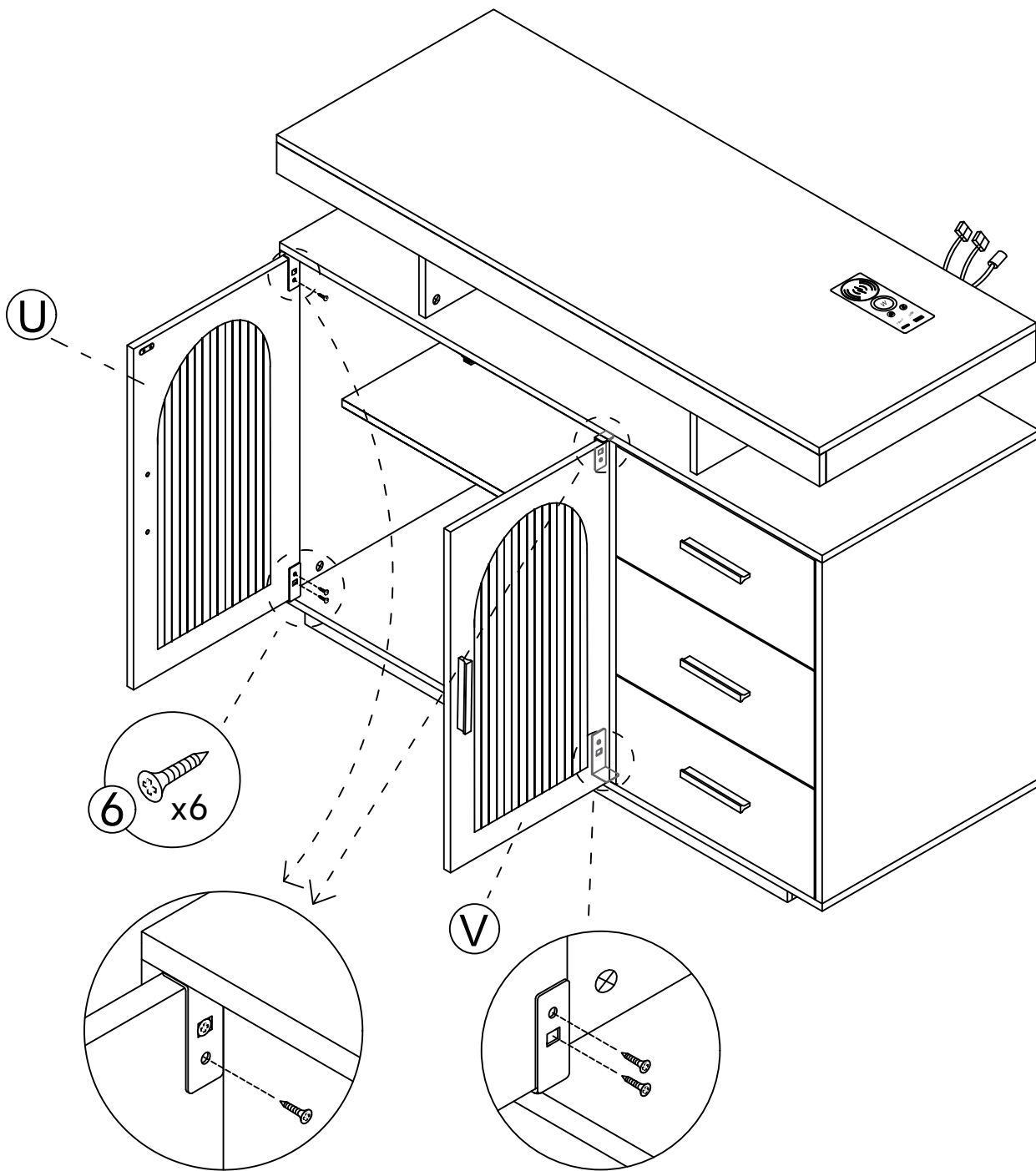
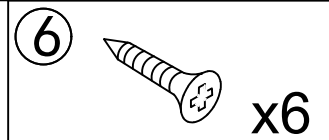
6  x2



Step 41

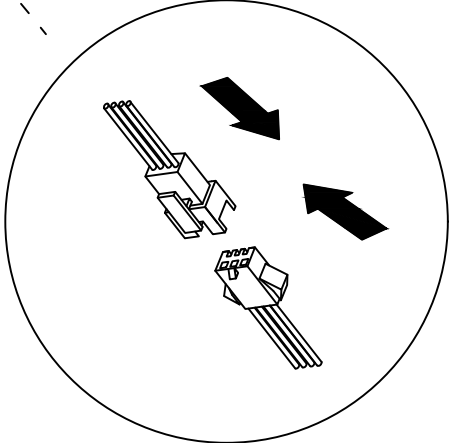
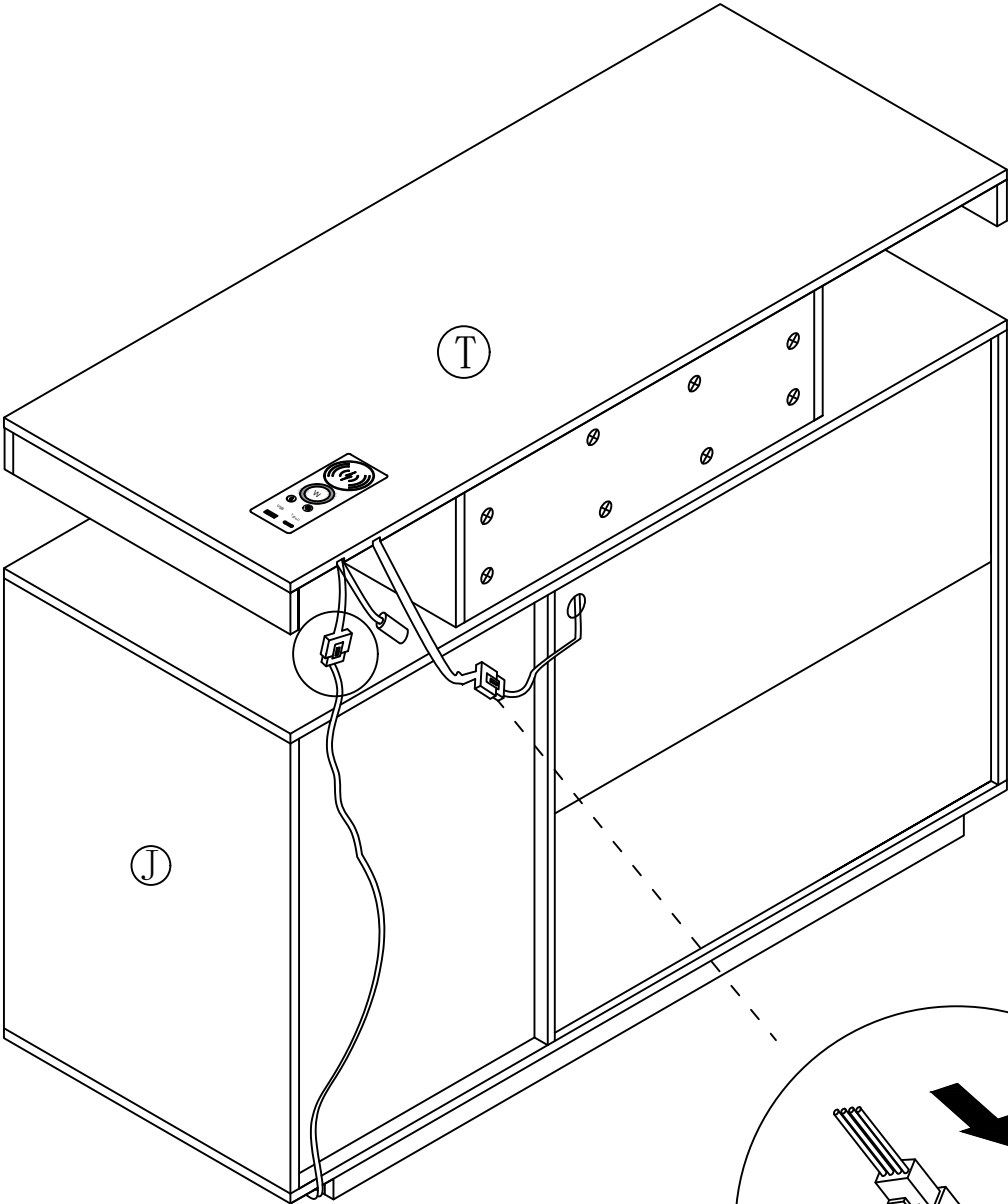


Step 42



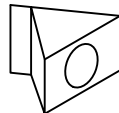
Screw in the screw through the square hole to adjust the cabinet door and then screw in the fixing screw.

Step 43

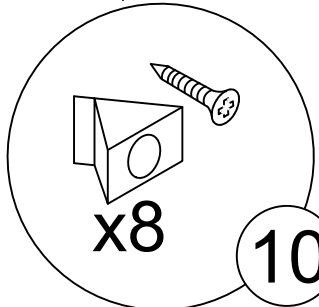
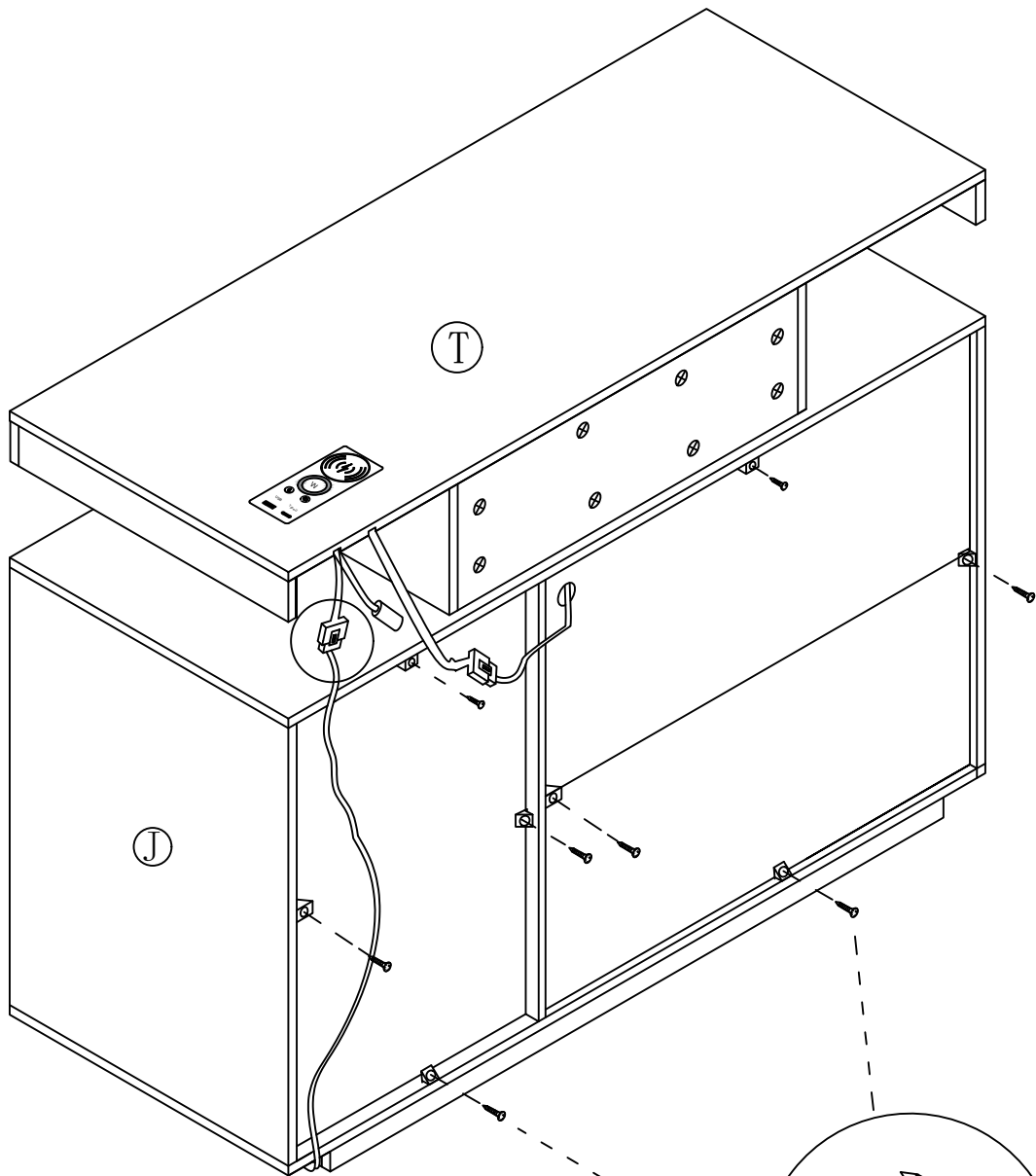


Step 44

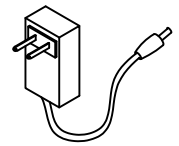
10



x8

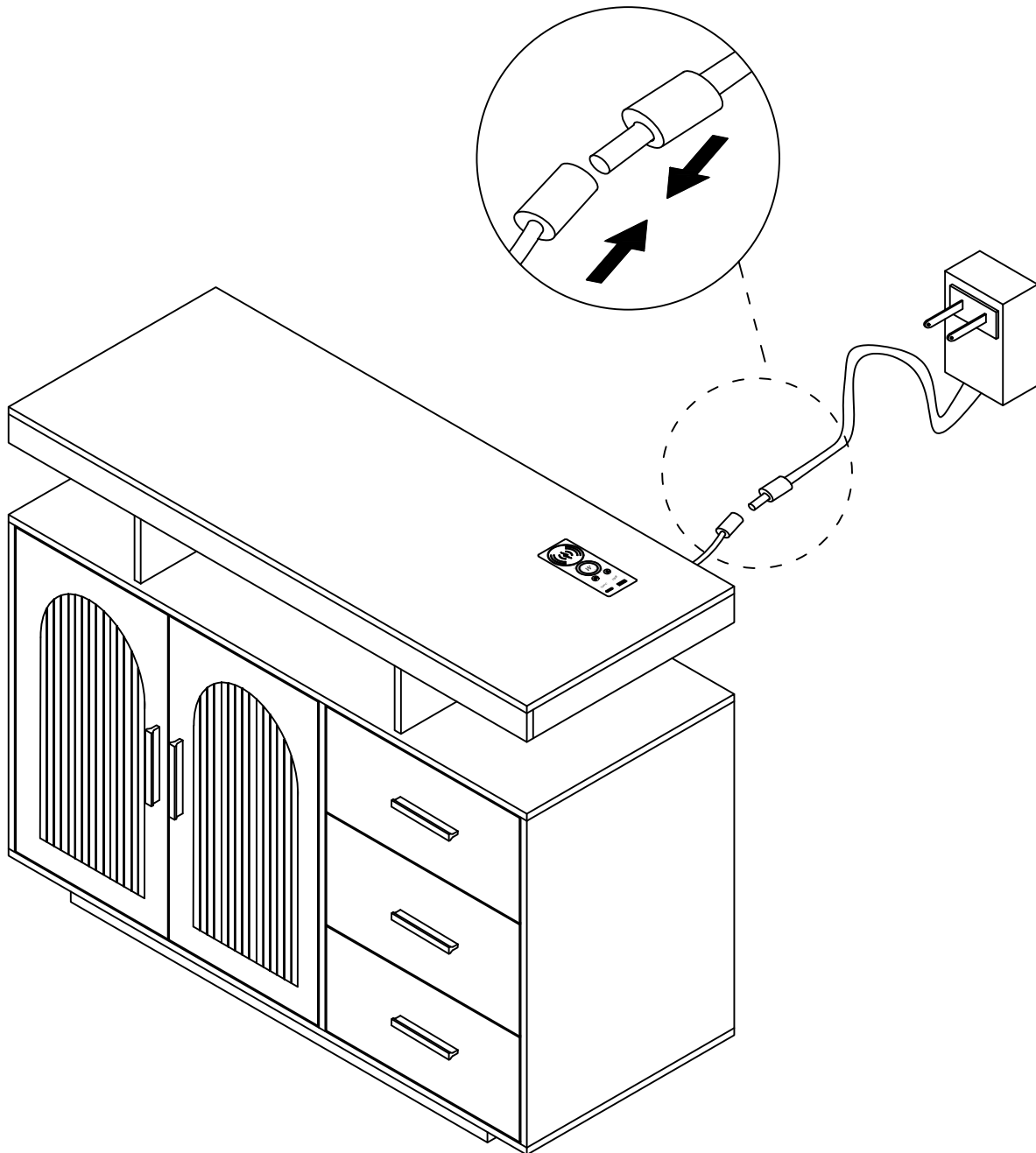


Step 45



x1

The bedside table supports wireless charging ,
It can be charged by placing a mobile phone
that supports wireless charging





User's Guide

Thank you for purchasing this product.

To use this product, please plug it into a 12V DC power supply.

Please use it if the product works normally after connecting to power.

Introduction

The box is an intelligent controller which integrates the charging function and the lighting control function, coming with 1 USB port and 1 type-C port, 2 touch buttons, a 24-color lighting control button, and a wireless charger.

Operation



This touch button is used to turn on/off lights and adjust brightness.

A. Long touch -> adjust the luminance.

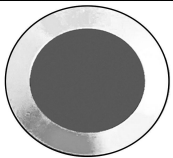


This touch button is used to turn on/off the induction function.

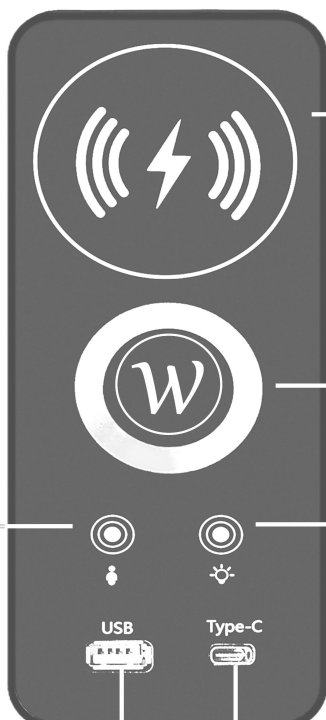
A. Short touch to turn on the induction function. It can auto-turn on the light when people are close to the controller within 1 meters. It can auto power off the light when the body is far away from the controller after 30 seconds.

B. Long touch to turn off the induction function.

C. Note: When you touch the light button to change the light modes, the induction function will automatically turn off. It is best to turn on this function after selecting the light color and adjusting the brightness you want.



This touch button is used to change 24 colors light. You can rotate the ring to choose colors, or click the ring to choose colors. Click in the middle of the ring, and reset to the white light.



This range is a wireless charging area, and only mobile phones with wireless charging function can be charged.

Consumer Reminder: Important Notice for Wireless Charging Use

1, Phone-Only Wireless Charging: This device supports wireless charging for mobile phones only. Attempting to charge other electronic devices may result in danger.

2, Metal Warning: Ensure that no metal objects are placed between your phone and the wireless charger (this includes magnetic or metal phone cases).

If there are metal objects can interfere with charging or cause hazardous conditions.



ATTENTION PLEASE

1. If there is no touch response suddenly, Re-plug the power to reset the touch static electricity.
2. If bubbles appear on the panel, remove the protective film.
3. If you have any questions when installing, please feel free to contact us. Thank you.

USB output port Type-C output port