

(1) X1



(2) X1



(3) X4 M8*20MM



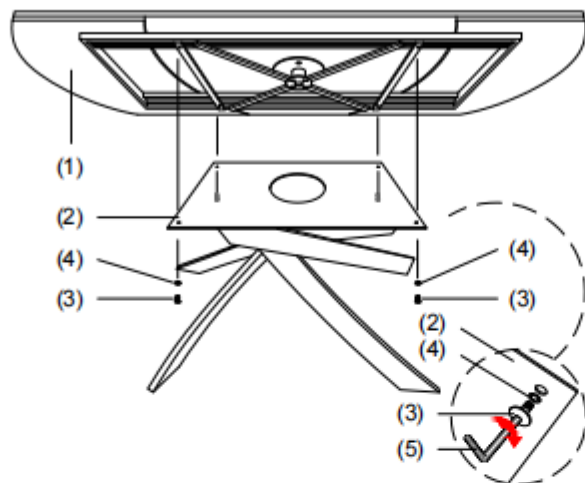
(4) X4 M8*2MM



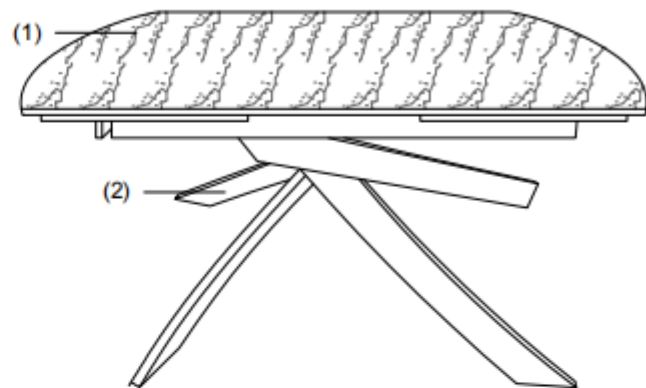
(5) X1 5MM



①



②



③

