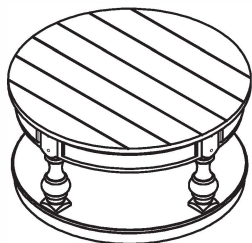


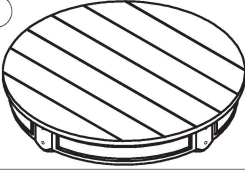
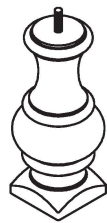
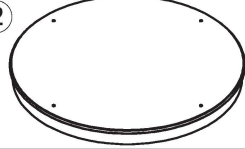
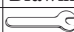



ASSEMBLY INSTRUCTION

DESCRIPTION: ROUND COCKTAIL TABLE

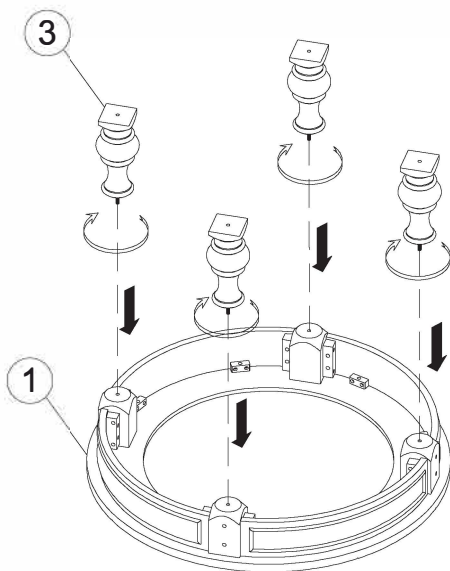
Thank you for purchasing this quality product. Be sure to check all packing material carefully for small parts which may have come loose inside the carton during shipment. Identify and count all parts and compare with the parts List Below:



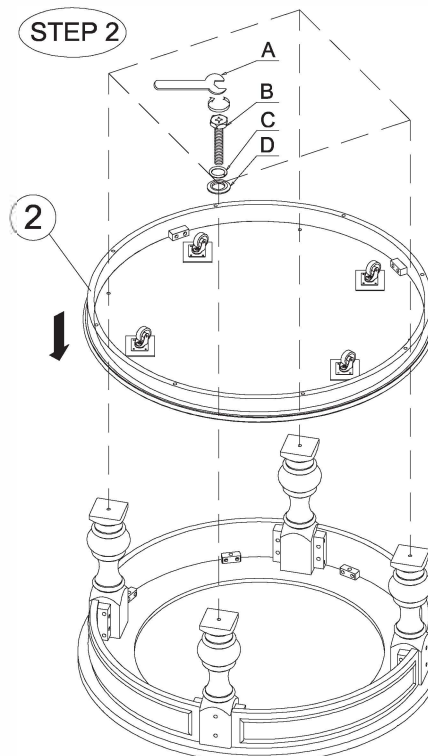
PART LIST:

④				 TABLE TOP :1PC	 LEG: 4PCS
HARDWARE LIST					
NO.	Drawing	Description	Q'ty	 TABLE BOTTOM :1PC	
A		Ø5/16" Wrench(12mm)	1pc		
B		Bolt Ø5/16"x2"	4pcs		
C		Spring washer (Ø5/16")	4pcs		
D		Flat washer (Ø5/16"x16mm)	4pcs		

STEP 1



STEP 2



CLEANING INSTRUCTION

Clean the Round Cocktail Table surface with a furniture polish and a soft cloth.