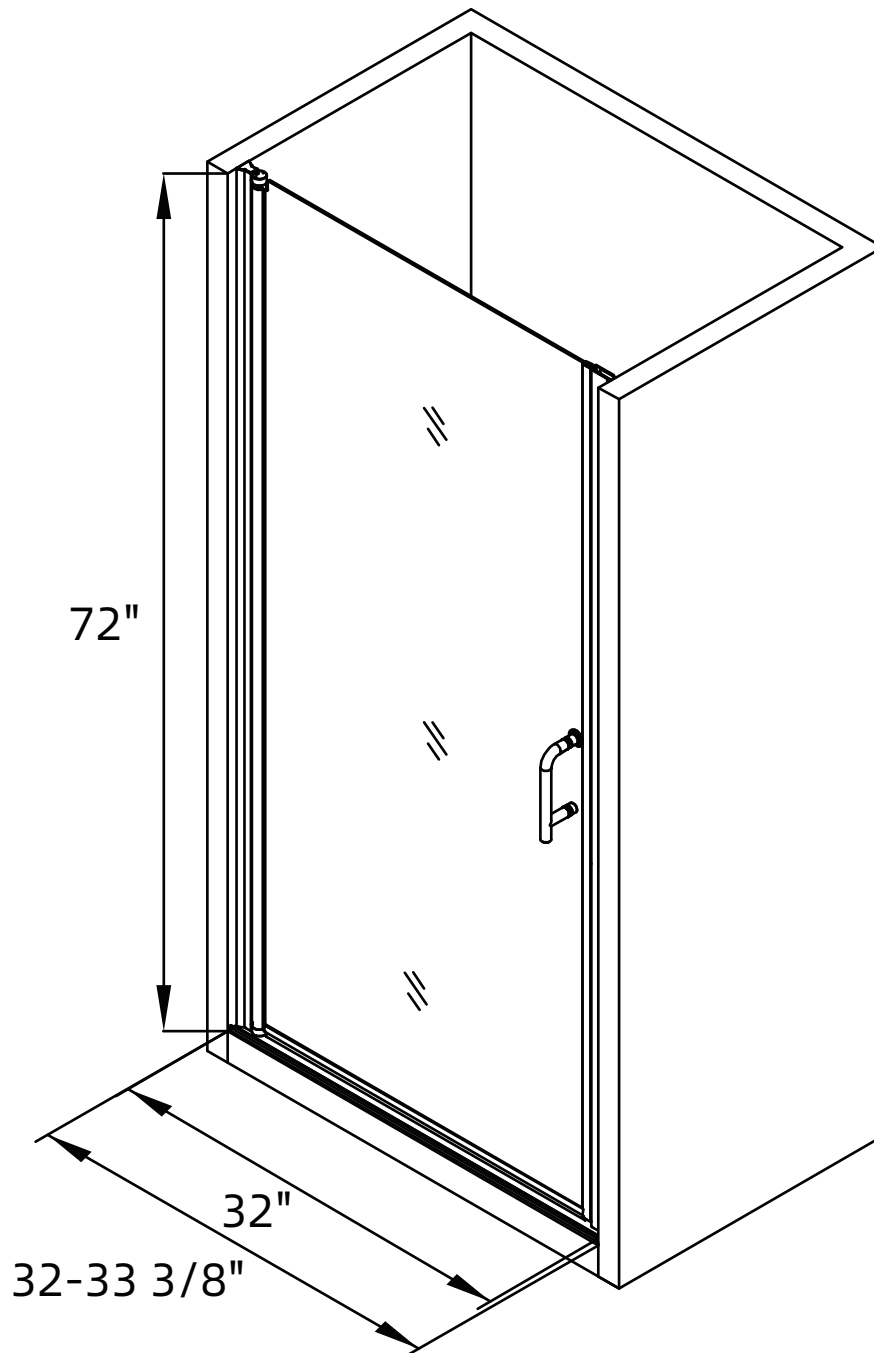


# Dimension/Specification



**RX-SD04-3272MB**