
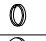


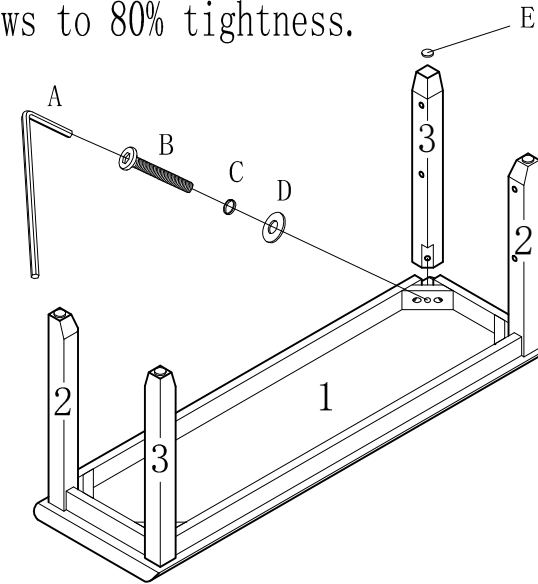
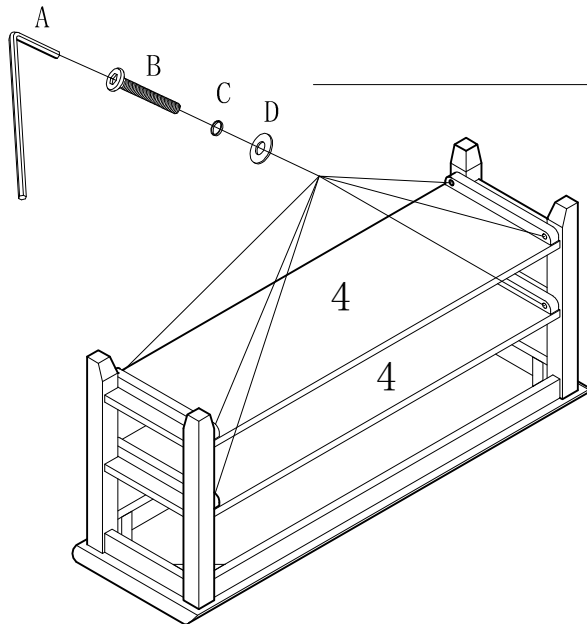
	A	1	4mm
	B	12	M6*45
	C	12	M6*12
	D	12	M6
	E	4	φ 20*3

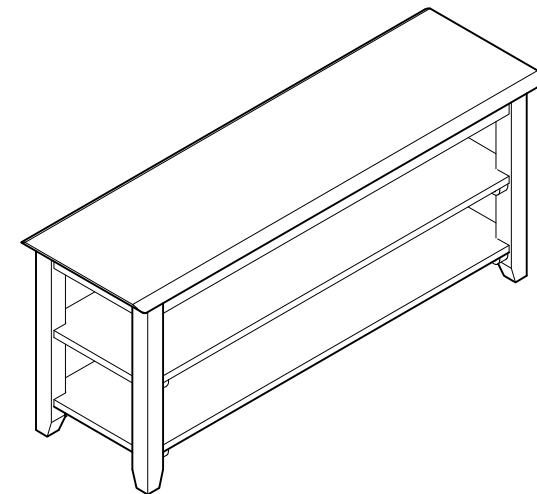
Tighten the screws to 80% tightness.



Step 1: After unpacking and identifying all components and hardware, open the seat panel and lay it flat on the floor. (Place a soft material underneath to prevent scratches.)
Assemble the legs using screws.



Step 2: Install the shelf and tighten all screws.



Step 3: Installation completed.