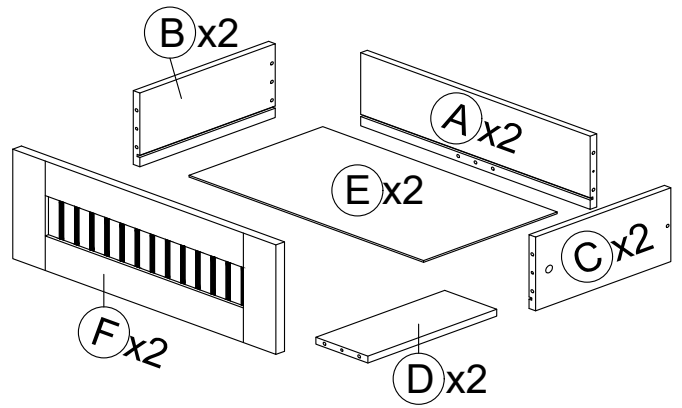
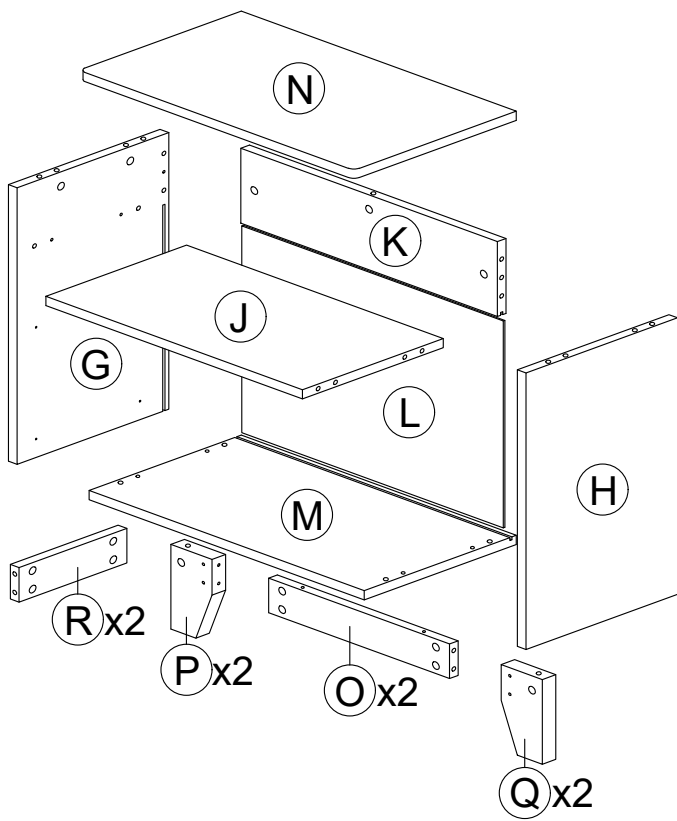
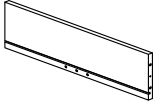
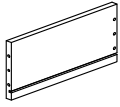
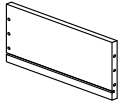
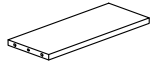

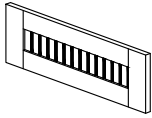


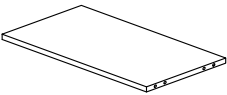
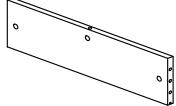
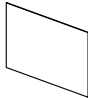
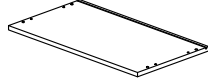
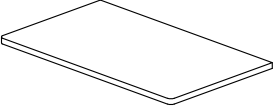
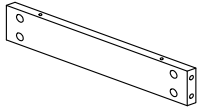
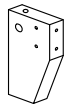
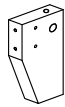
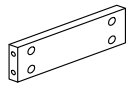


# ASSEMBLY INSTRUCTION









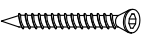



# ASSEMBLY INSTRUCTION

## PART LIST

<p style="text-align: center;"><b>A</b></p>  <p style="text-align: center;">Drawer Back 2 PCS</p>	<p style="text-align: center;"><b>B</b></p>  <p style="text-align: center;">Drawer Side L 2 PCS</p>	<p style="text-align: center;"><b>C</b></p>  <p style="text-align: center;">Drawer Side R 2 PCS</p>	<p style="text-align: center;"><b>D</b></p>  <p style="text-align: center;">Drawer Support 2 PCS</p>
<p style="text-align: center;"><b>E</b></p>  <p style="text-align: center;">Drawer Panel 2 PCS</p>	<p style="text-align: center;"><b>F</b></p>  <p style="text-align: center;">Drawer Head 2 PCS</p>	<p style="text-align: center;"><b>G</b></p>  <p style="text-align: center;">Side Panel L 1 PCS</p>	<p style="text-align: center;"><b>H</b></p>  <p style="text-align: center;">Side Panel R 1 PCS</p>
<p style="text-align: center;"><b>J</b></p>  <p style="text-align: center;">Middle Panel 1 PCS</p>	<p style="text-align: center;"><b>K</b></p>  <p style="text-align: center;">Back Panel Up 1 PCS</p>	<p style="text-align: center;"><b>L</b></p>  <p style="text-align: center;">Back Panel 1 PCS</p>	<p style="text-align: center;"><b>M</b></p>  <p style="text-align: center;">Bottom Panel 1 PCS</p>
<p style="text-align: center;"><b>N</b></p>  <p style="text-align: center;">Top Panel 1 PCS</p>	<p style="text-align: center;"><b>O</b></p>  <p style="text-align: center;">Bottom Leg Support Front/Back 2 PCS</p>	<p style="text-align: center;"><b>P</b></p>  <p style="text-align: center;">Side Leg L 2 PCS</p>	<p style="text-align: center;"><b>Q</b></p>  <p style="text-align: center;">Side Leg R 2 PCS</p>
<p style="text-align: center;"><b>R</b></p>  <p style="text-align: center;">Bottom Leg Support Side 2 PCS</p>			

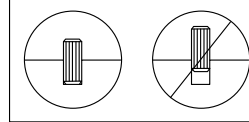
# ASSEMBLY INSTRUCTION

## HARDWARE LIST

<p>①</p>  <p>Camlock 15MM 37 PCS</p>	<p>②</p>  <p>Camlock Bolt 15MM 37 PCS</p>	<p>③</p>  <p>M8x25MM Wood Dowel 16 PCS</p>	<p>④</p>  <p>M6x30MM Wood Dowel 24 PCS</p>
<p>⑤</p>  <p>CB Screw M3.5x12MM 28 PCS</p>	<p>⑥</p>  <p>M4x38MM Screw 6 PCS</p>	<p>⑦</p>  <p>Csk M6x50MM 8 PCS</p>	<p>⑧</p>  <p>L Handle 2 PCS</p>
<p>⑨</p>  <p>M4 Allen Key 1 PCS</p>	<p>⑩</p>  <p>Drawer Slide 10" 4 PCS</p>		

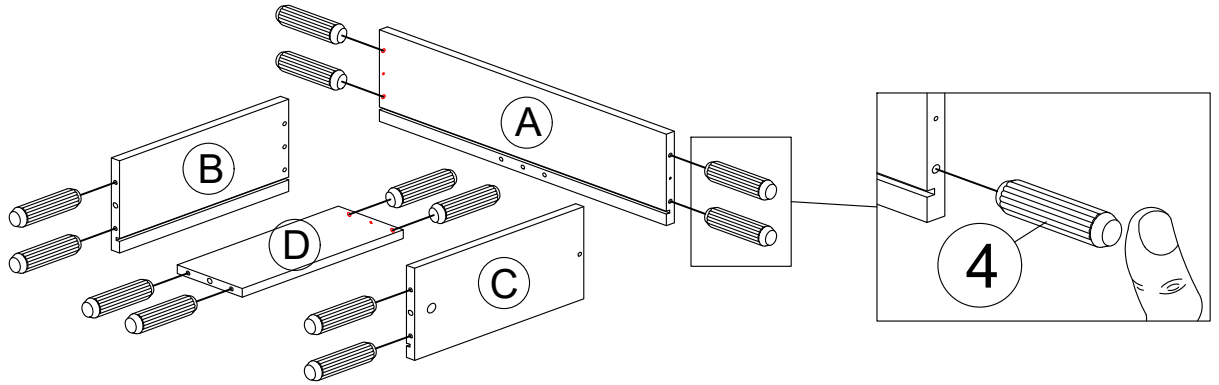
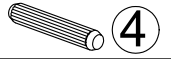
# ASSEMBLY INSTRUCTION

## Step 1



Required/Requis/Requerido

x24

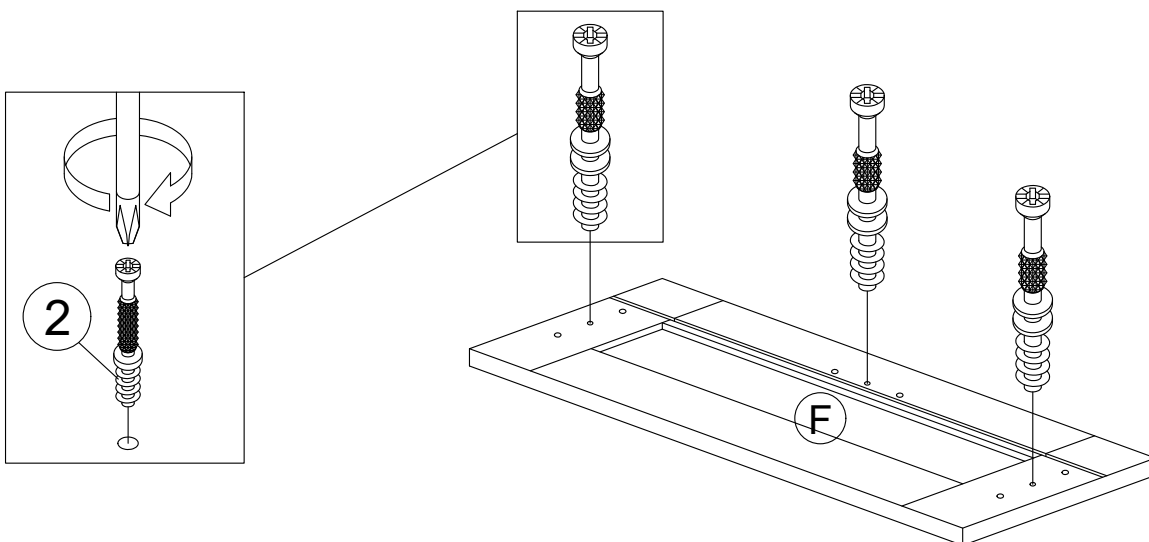


x2

## Step 2

Required/Requis/Requerido

x6



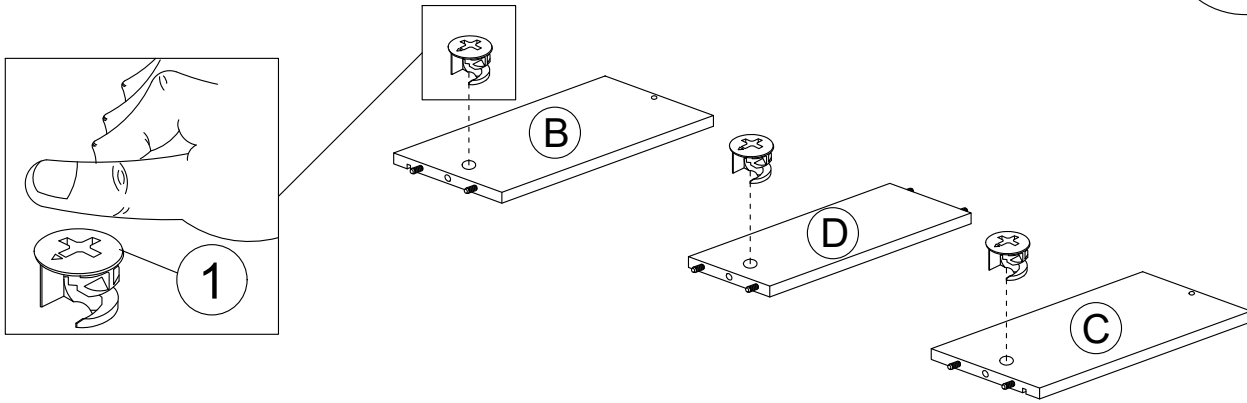
x2

# ASSEMBLY INSTRUCTION

## Step 3

Required/Requis/Requerido

x6

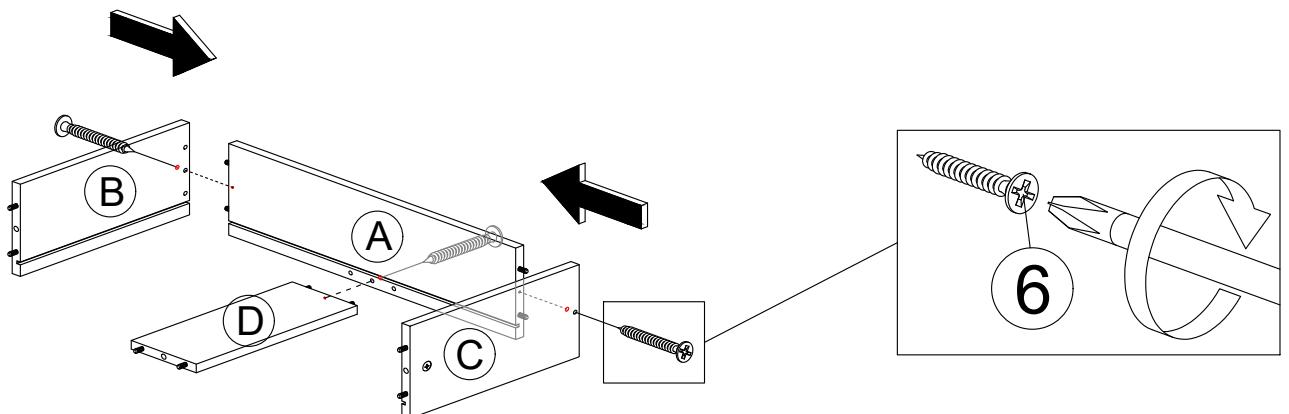


x2

## Step 4

Required/Requis/Requerido

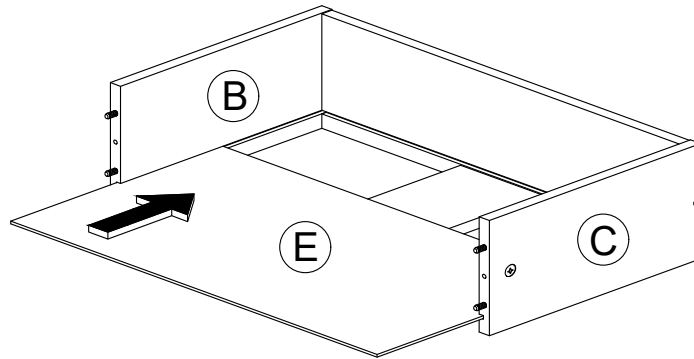
x6



x2

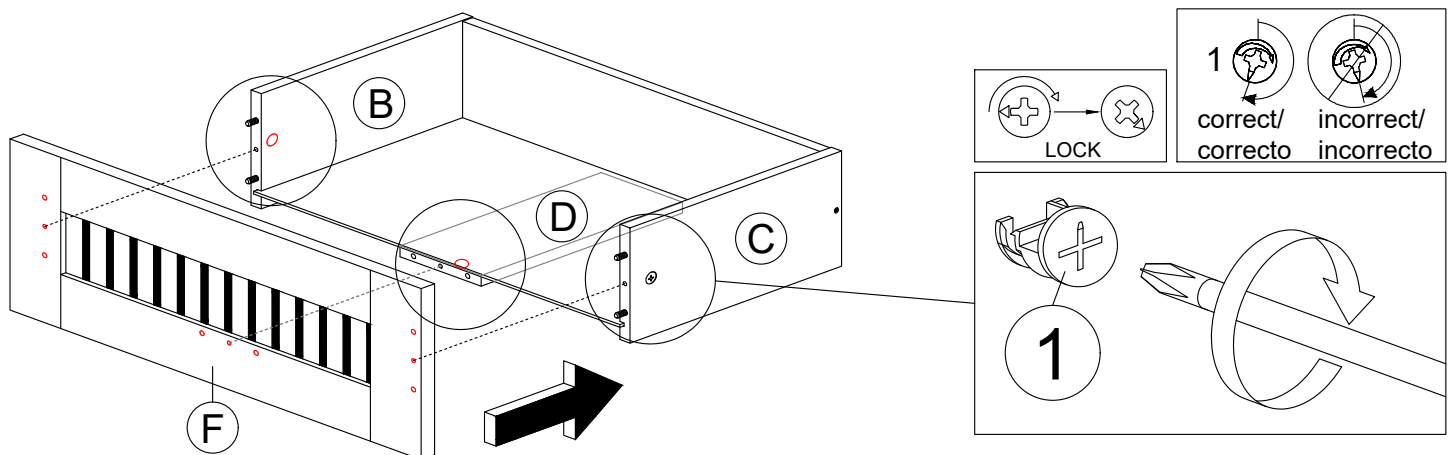
# ASSEMBLY INSTRUCTION

## Step 5



x2

## Step 6



x2

# ASSEMBLY INSTRUCTION

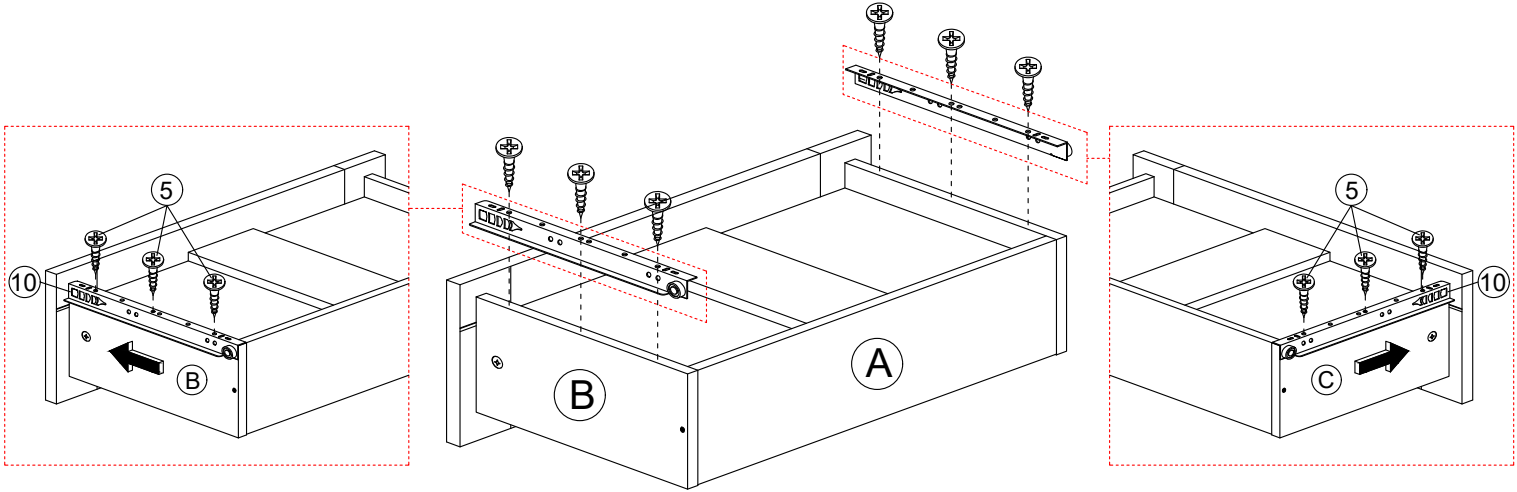
## Step 7

Required/Requis/Requerido

x12



x4



Bottom View

x2

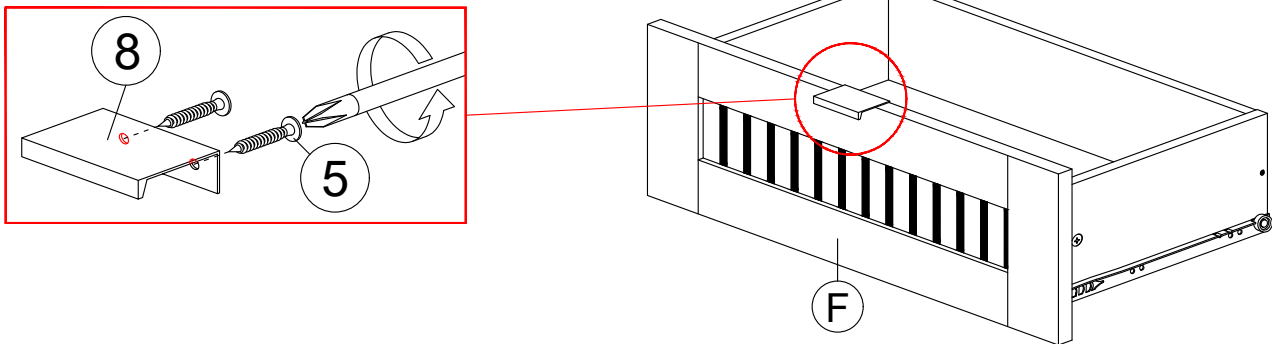
## Step 8

Required/Requis/Requerido

x4



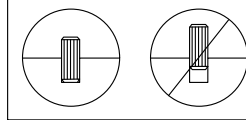
x2



x2

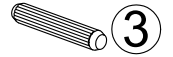
# ASSEMBLY INSTRUCTION

## Step 9

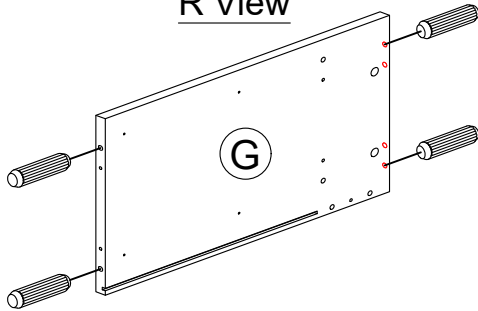


Required/Requis/Requerido

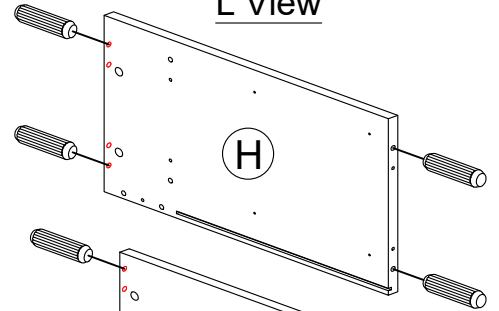
x16



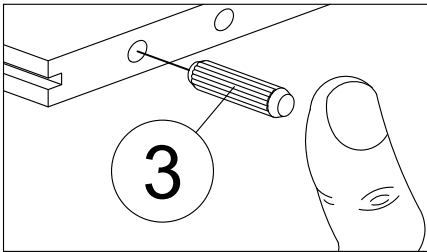
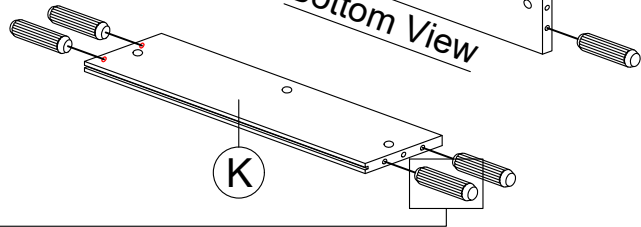
R View



L View



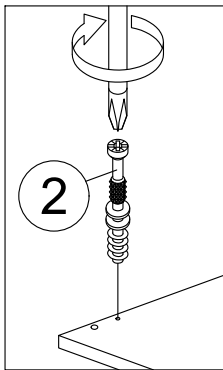
Bottom View



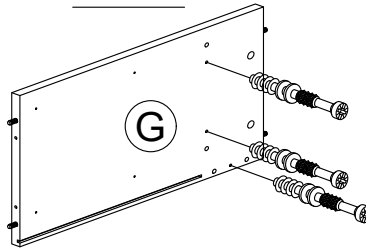
## Step 10

Required/Requis/Requerido

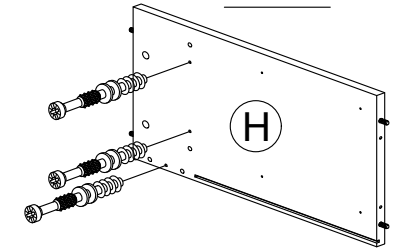
x31



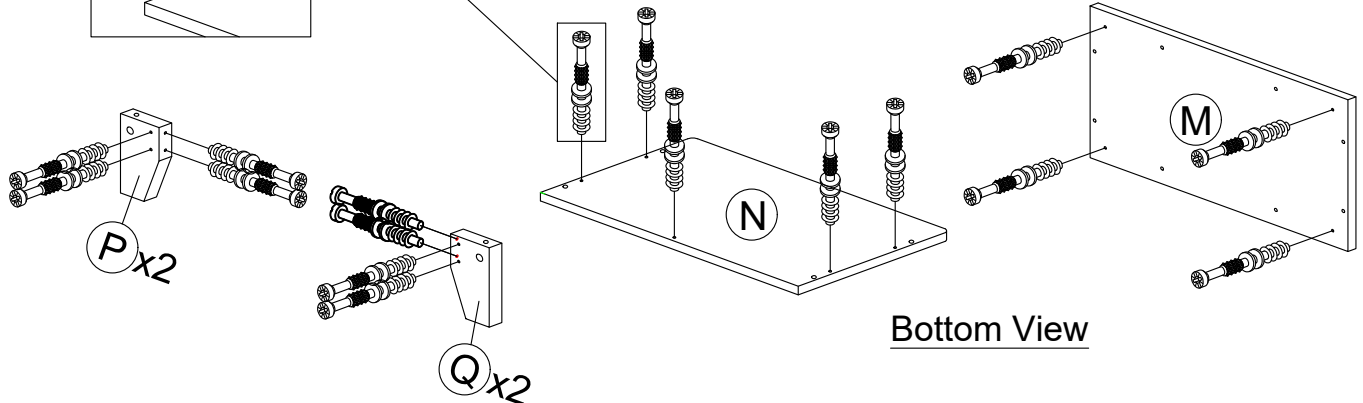
R View



L View



Bottom View

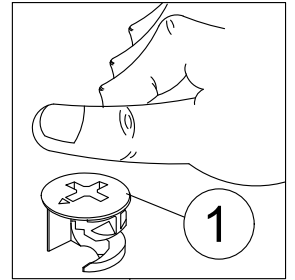
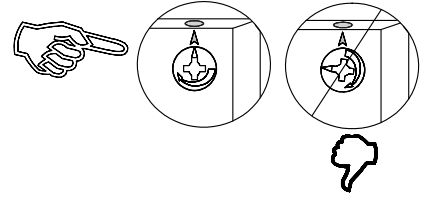
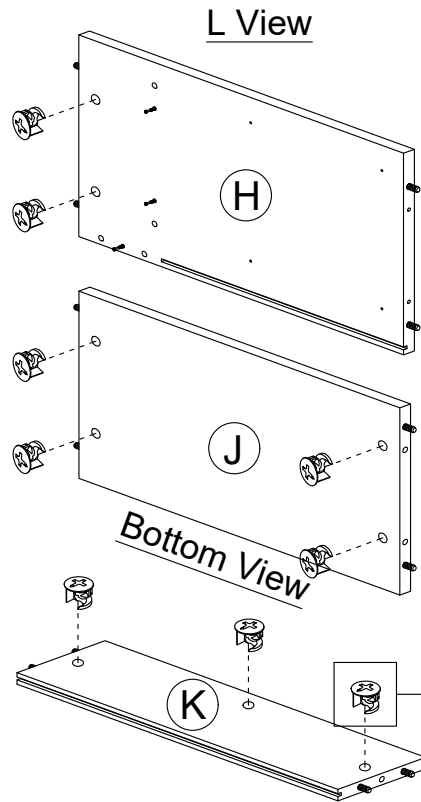
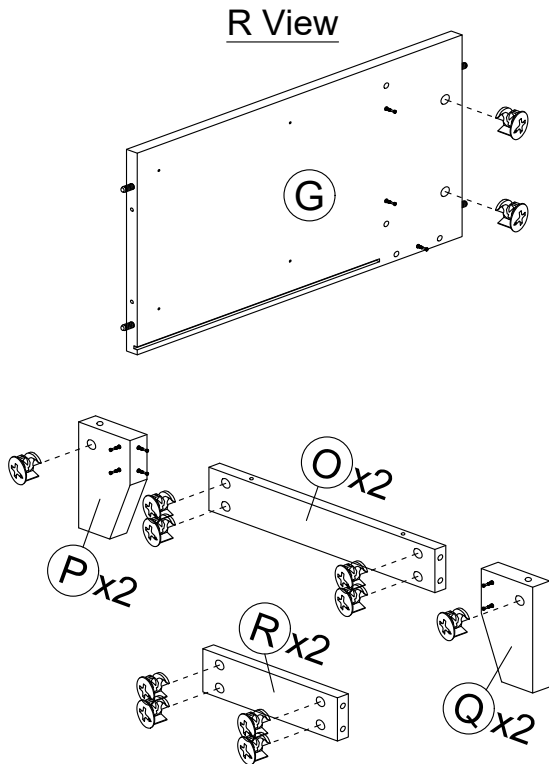


# ASSEMBLY INSTRUCTION

## Step 11

Required/Requis/Requerido

x31



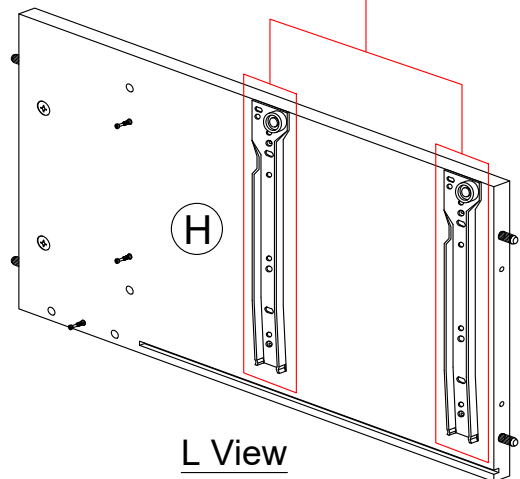
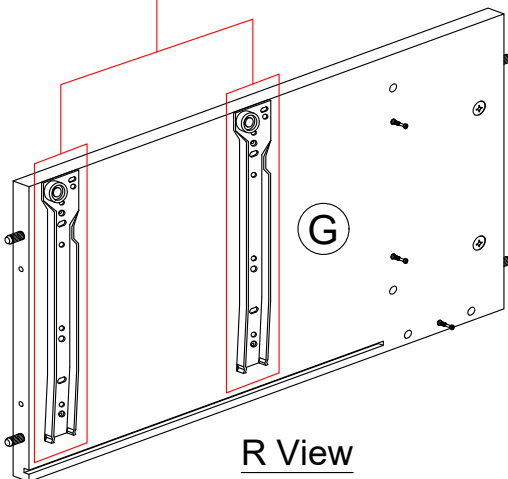
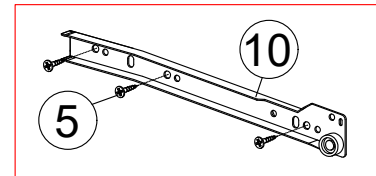
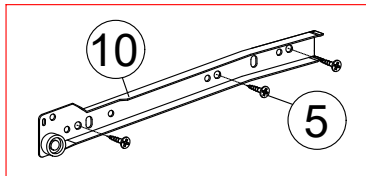
## Step 12

Required/Requis/Requerido

x12

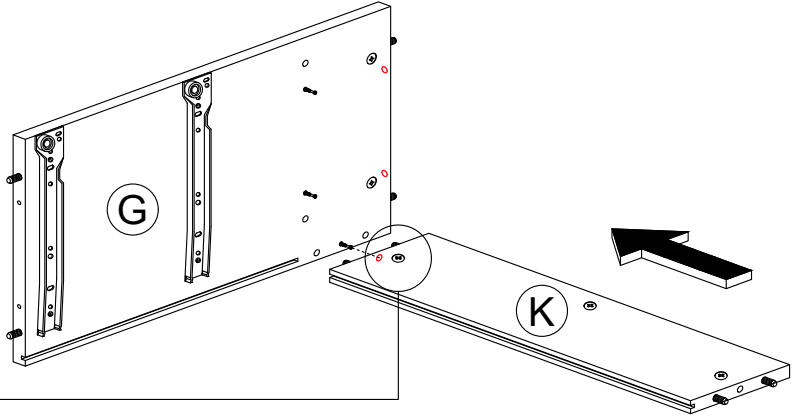
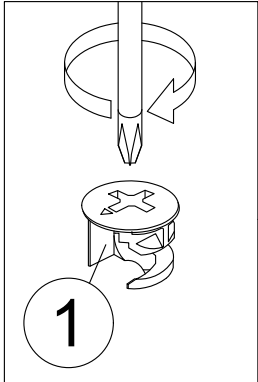
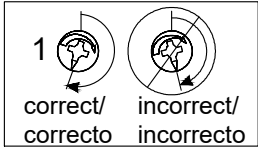
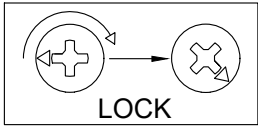


x4

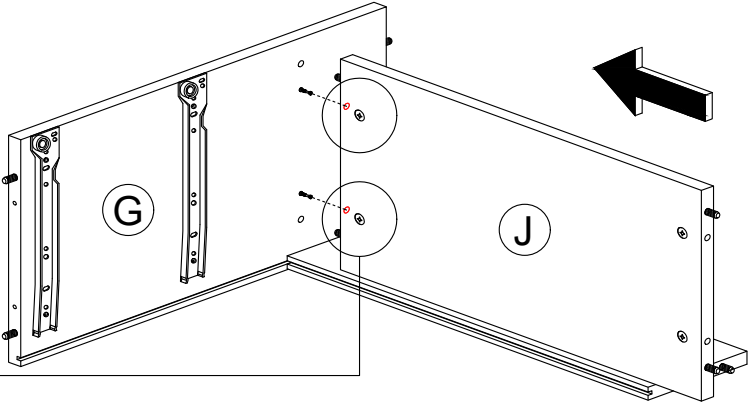
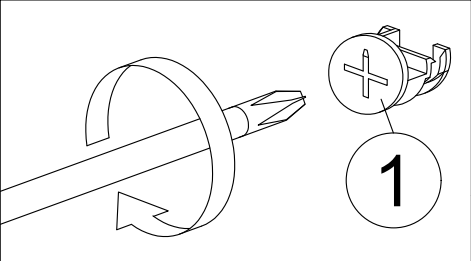
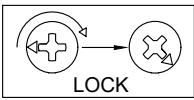
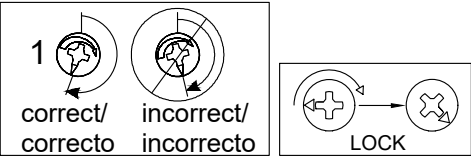


# ASSEMBLY INSTRUCTION

## Step 13

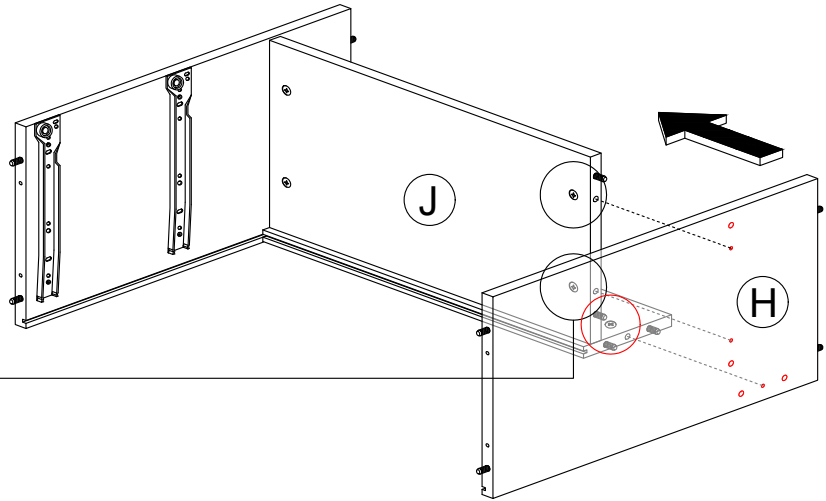
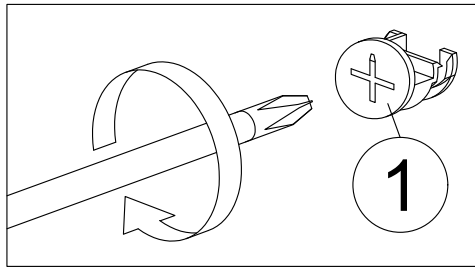
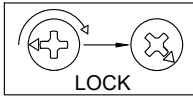
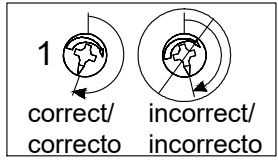


## Step 14

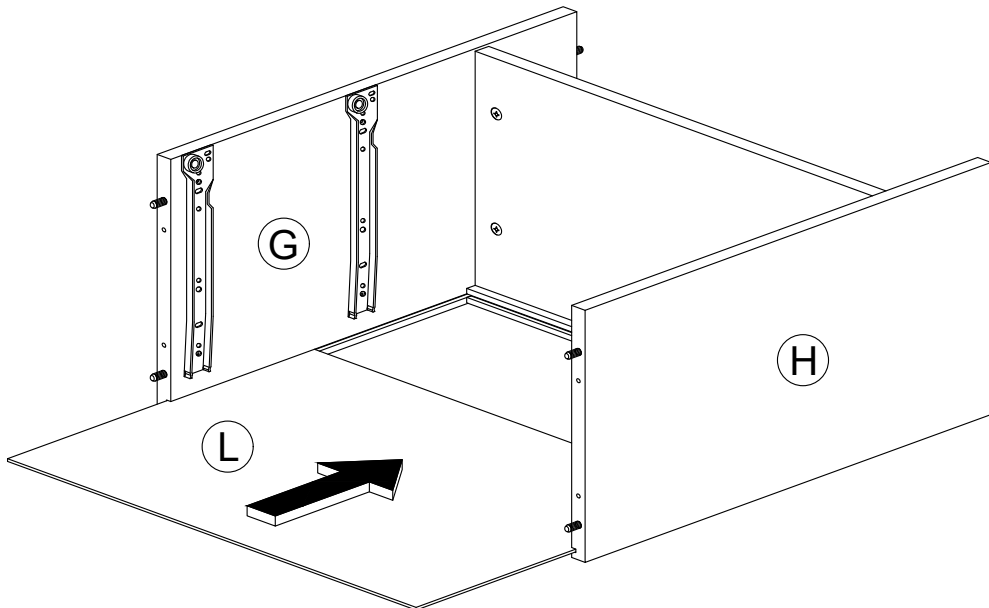


# ASSEMBLY INSTRUCTION

## Step 15

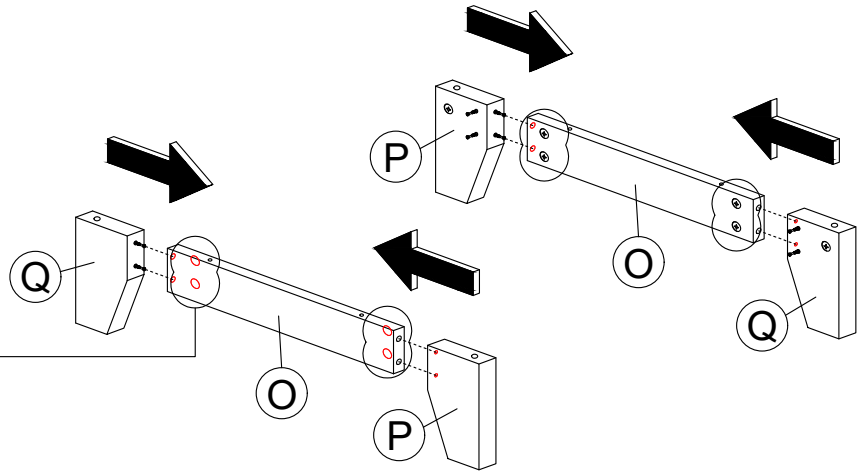
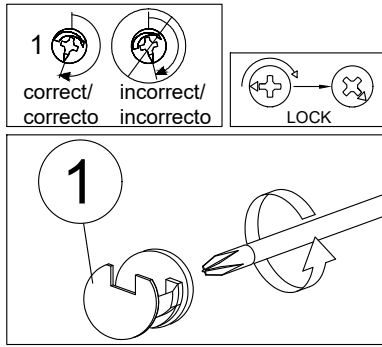


## Step 16

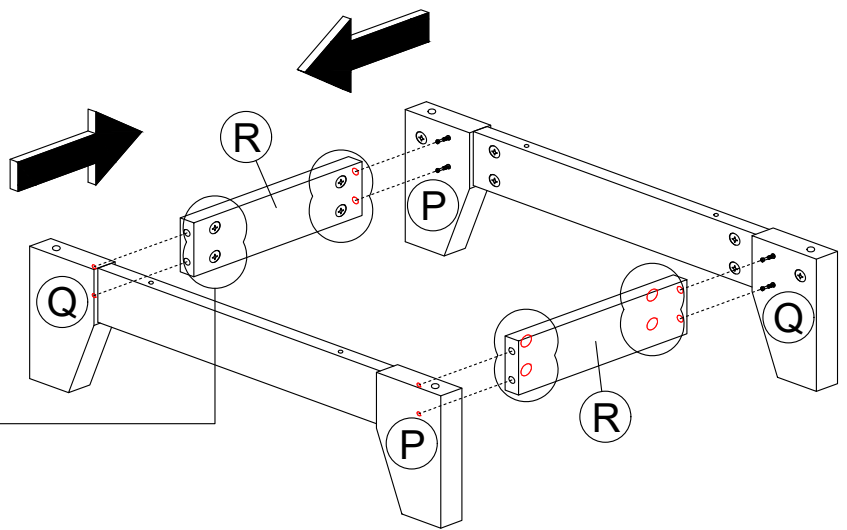
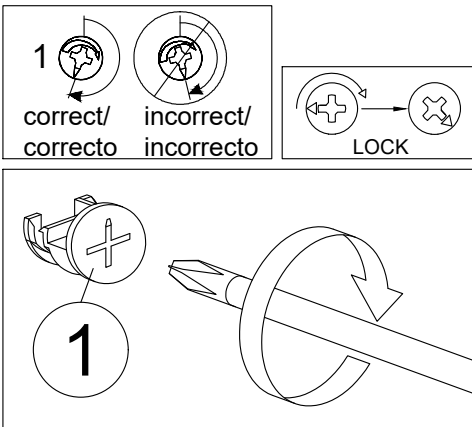


# ASSEMBLY INSTRUCTION

## Step 17



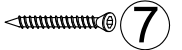
## Step 18



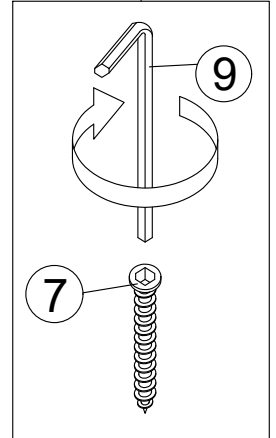
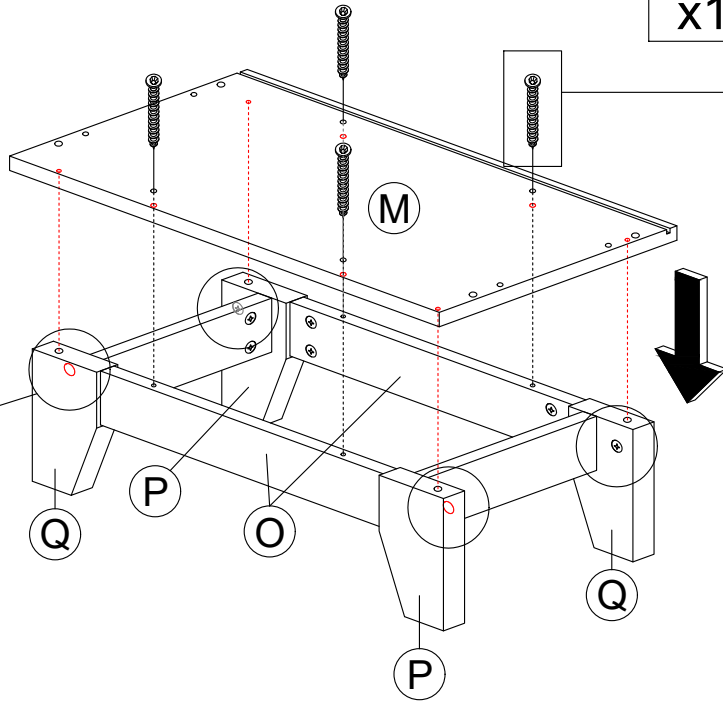
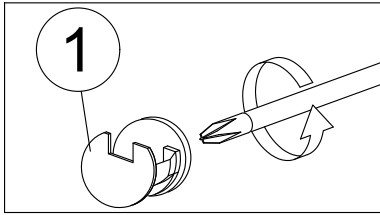
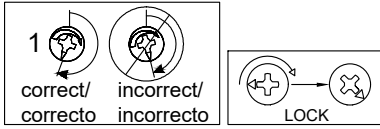
# ASSEMBLY INSTRUCTION

## Step 19

Required/Requis/Requerido


x4  7

x1  9

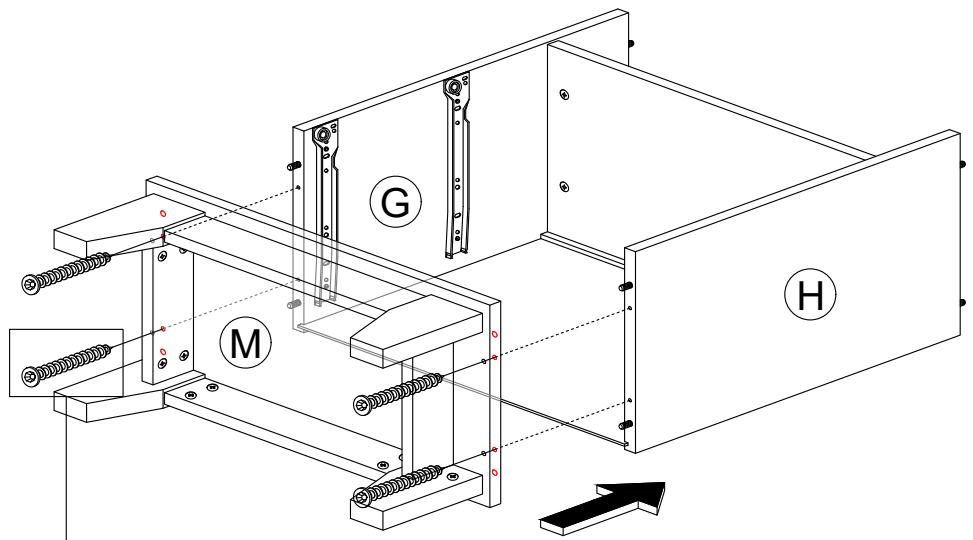
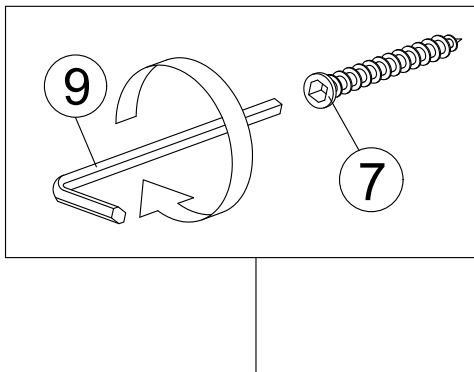


## Step 20

Required/Requis/Requerido

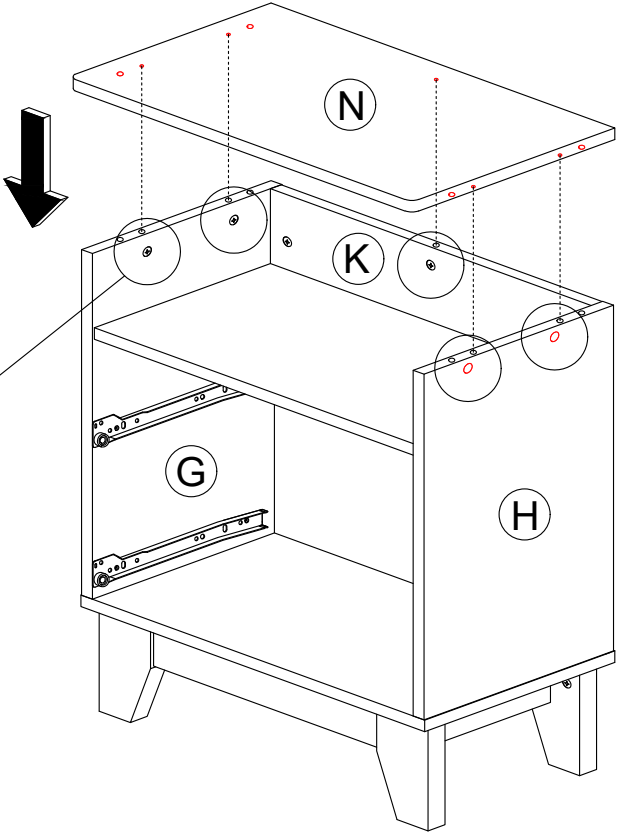
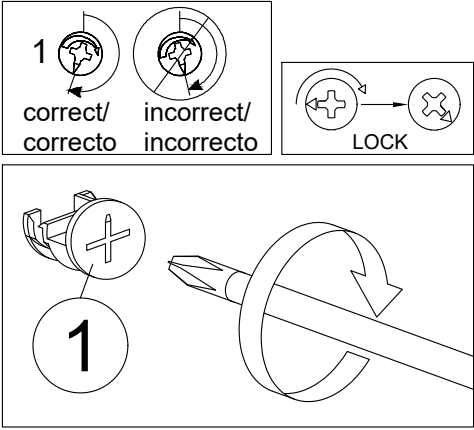
x4  7

x1  9

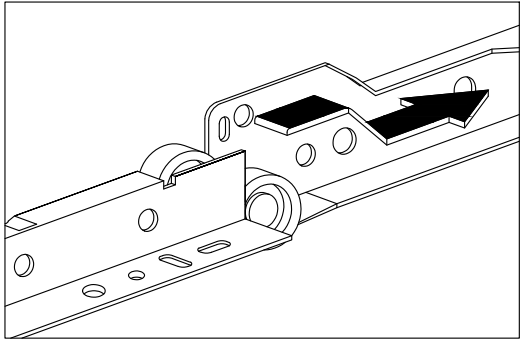
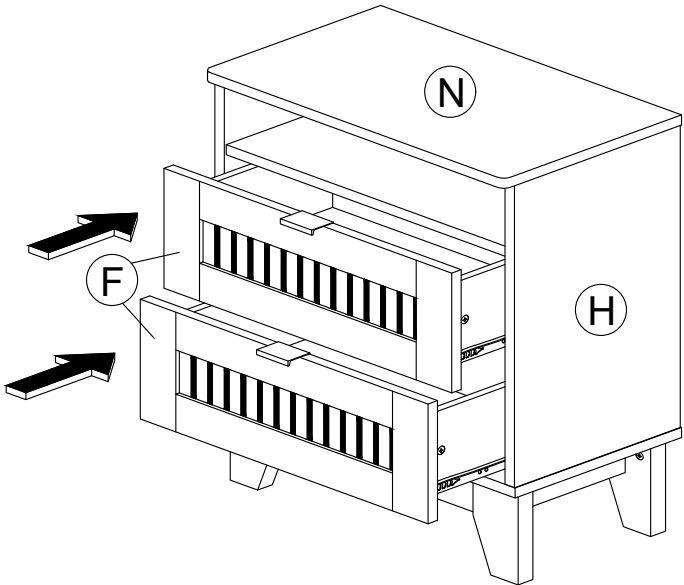


# ASSEMBLY INSTRUCTION

## Step 21



## Step 22



# ASSEMBLY INSTRUCTION

Complete

